

LAO PEOPLE'S DEMOCRATIC REPUBLIC (LAO PDR)



MINISTRY OF INFORMATION, CULTURE AND TOURISM

G0599-LAO: 2ND GMS TOURISM INFRASTRUCTURE FOR INCLUSIVE GROWTH PROJECT

**BIDDING DOCUMENT FOR PROCUREMENT OF
WORKS PACKAGE: TIIGP2-LAO-W04 VANG VIENG LANDFILL IMPROVEMENTS**

Subproject V5: Vang Vieng Solid Waste Management Improvements

DETAILED ARCHITECTURAL DRAWING

JULY, 2020

LEAD CONSULTANT :

RAMBOLL

Hannemanns Alle'53
DK-2300 København S
Tlf. +45 5161 1000
Fax +45 5161 1001
www.ramboll.dk

SUB-CONSULTANT:



Waste Concern Consultants

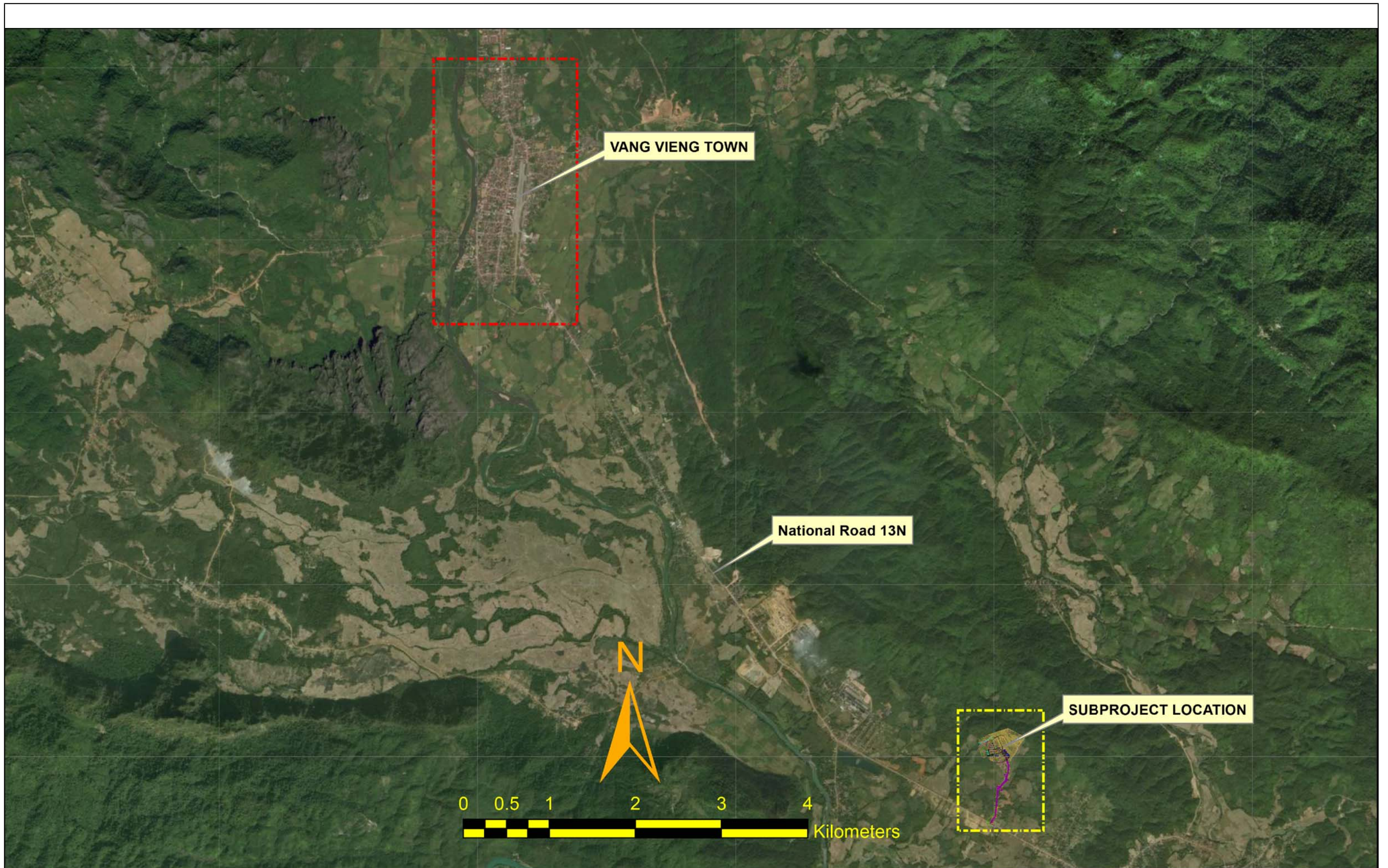
Level- 4, House No.- 120/B, (Masjid Road) Road- 7
New DOHS Mohakhali Dhaka- 1207, Bangladesh
Tlf. + 880-2-48810-841, + 880-2-48810-842
Fax. + 880-2- 9899-486, Email- office@wasteconcern.org
www.wasteconcern.org

Table of Contents

Drawing no.	Component	Title	Sheet no.
All General Drawings			
G-01		Outline Site Location Image	01
G-02		Site Location Image	02
G-03		Outline Site Location MAP on 100.000 MAP Scale	03
G-04		Landfill dom	04
G-05		Overall Site Layout with Access Road	05
G-06		Borehole Location layout Plan for landfill	06
G-07		Overall Layout Plan Showing Land Sections	07
G-07-1	AL 1 Profile	Cross section of land fill cell 1 development	08
G-07-2	AL 2 Profile	Principal solution for liner in ponds with foundation, protection and anchoring details	09
G-07-3	AL 3 Profile	Leachate treatment system principal cross section	10
G-07-4	AL 4 Profile	Drainage Duct Details	11
G-07-5	AL 5 Profile	Cross section of cell development	12
G-07-6	AL 6 Profile	Cell 1	13
G-07-7	AL 7 Profile	D-D Liner foundation and drainage, Detail- A-A & B-B	14
G-07-8	AL 8 Profile	Cell 5 Details	15
G-07-9	AL 8 Profile	Capped Existing Waste	16
All Architect Drawings			
A-01-1	MRF	MRF: Floor Plan	17
A-01-2	MRF	MRF: Roof Plan	18
A-01-3	MRF	MRF: Section - A-A & B-B	19
A-01-4	MRF	MRF: Facades	20
A-01-5	MRF	MRF: Facades	21
A-01-6	MRF	MRF: Doors, Windows & Gates	22
A-01-7	MRF	MRF: Louver Details	23
A-02-1	Administration Building	Administration Building: Floor Plan, Roof Plan & Facades	24
A-02-2	Administration Building	Administration Building: Facades	25
A-02-3	Administration Building	Administration Building: Cross Section	26
A-02-4	Administration Building	Administration Building: Doors, Windows & Gates	27
A-03-1	Office Building	Office Building: Floor Plan	28
A-03-2	Office Building	Office Building: Section & Elevation	29
A-03-3	Office Building	Office Building: Section & Elevation	30
A-04-1	Workshop (Service Building)	Workshop (Service Building): Floor Plan	31
A-04-2	Workshop (Service Building)	Workshop (Service Building): Roof Plan	32
A-04-3	Workshop (Service Building)	Workshop (Service Building): Elevation	33

Table of Contents

Drawing no.	Component	Title	Sheet no.
All Architect Drawings			
A-04-4	Workshop (Service Building)	Workshop (Service Building): Elevation	34
A-04-5	Workshop (Service Building)	Workshop (Service Building): Section - A-A & B-B	35
A-04-6	Workshop (Service Building)	Workshop (Service Building): Doors & Windows	36
A-04-7	Workshop (Service Building)	Workshop (Service Building): Doors	37
A-05-1	Hazardous Waste Storage	Hazardous Waste Storage: Floor Plan	38
A-05-2	Hazardous Waste Storage	Hazardous Waste Storage: Roof Plan	39
A-05-3	Hazardous Waste Storage	Hazardous Waste Storage: Cross Section	40
A-05-4	Hazardous Waste Storage	Hazardous Waste Storage: Facades	41
A-05-5	Hazardous Waste Storage	Hazardous Waste Storage: Facades	42
A-06-1	Incinerator Room	Incinerator Room: Floor Plan & Roof Plan	43
A-06-2	Incinerator Room	Incinerator Room: Facades	44
A-06-3	Incinerator Room	Incinerator Room: Cross Section	45
A-07-1	Security & Main Entrance	Security & Main Entrance: Floor Plan	46
A-07-2	Security & Main Entrance	Security & Main Entrance: Floor Plan & Elevation	47
A-07-3	Security & Main Entrance	Security & Main Entrance: Elevation & Gate Details	48
A-07-4	Security & Main Entrance	Security & Main Entrance: Gate Details Elevation	49
A-07-5	Security & Main Entrance	Security & Main Entrance: Front Elevation	50
A-07-6	Security & Main Entrance	Security & Main Entrance: Section - A-A	51
A-07-7	Security & Main Entrance	Security & Main Entrance: Section - B-B	52
A-07-8	Security & Main Entrance	Security & Main Entrance: Gate Section & Section - C-C	53
A-08	Weigh Bridge	Weigh Bridge: Re-Bar Plan	54
A-09-1	Vehicle Washing Ramp	Vehicle Washing Ramp: Plan & Elevation	55
A-09-2	Vehicle Washing Ramp	Vehicle Washing Ramp: Section - A-A & B-B	56
A-10-1	Planted Drying bed (PDB)	PDB: Sectional Plan	57
A-10-2	Planted Drying bed (PDB)	PDB: Section - A-A & Detail- D	58
A-10-3	Planted Drying bed (PDB)	PDB: Section - B-B, Detail- E & F	59
A-10-4	Planted Drying bed (PDB)	PDB: Section - C-C & S-S, Detail- G	60
A-11	Boundary Wall	Boundary Wall: Plan, Elevation & Section Details	61
A-12	Secure Landfill Hazardous Waste	Secure Landfill Hazardous Waste: Plan	62
A-13	Treated Water Pond for Reuse	Treated Water Pond for Reuse: Plan	63
A-14	Leachate Water Storage Tank	Leachate Water Storage Tank: Plan & Section A-A	64



LEAD CONSULTANT :

RAMBOLL
 Hannemanns Alle 53
 DK-2300 København S
 Tlf. +45 5161 1000
 Fax +45 5161 1001
 www.ramboll.dk

SUB-CONSULTANT:

Waste Concern Consultants
 Level- 4, House No.- 120/B, (Masjid Road) Road- 7
 New DOHS Mohakhali Dhaka- 1207, Bangladesh
 Tlf. + 880-2-48810-841, + 880-2-48810-842
 Fax. + 880-2- 9899-486, Email- office@wasteconcern.org
 www.wasteconcern.org

CLIENT :

LAOS
 LAO PEOPLE'S DEMOCRATIC REPUBLIC (LAO PDR)
 MINISTRY OF INFORMATION, CULTURE AND TOURISM

REV.	DATE	DESCRIPTION	DRN
R01	20.07.2020	PRELIMINARY ISSUE	

DESIGNED/DRAWN: /
 CHECKED: /
 APPROVED: *[Signature]*
 MRITYUNJOY

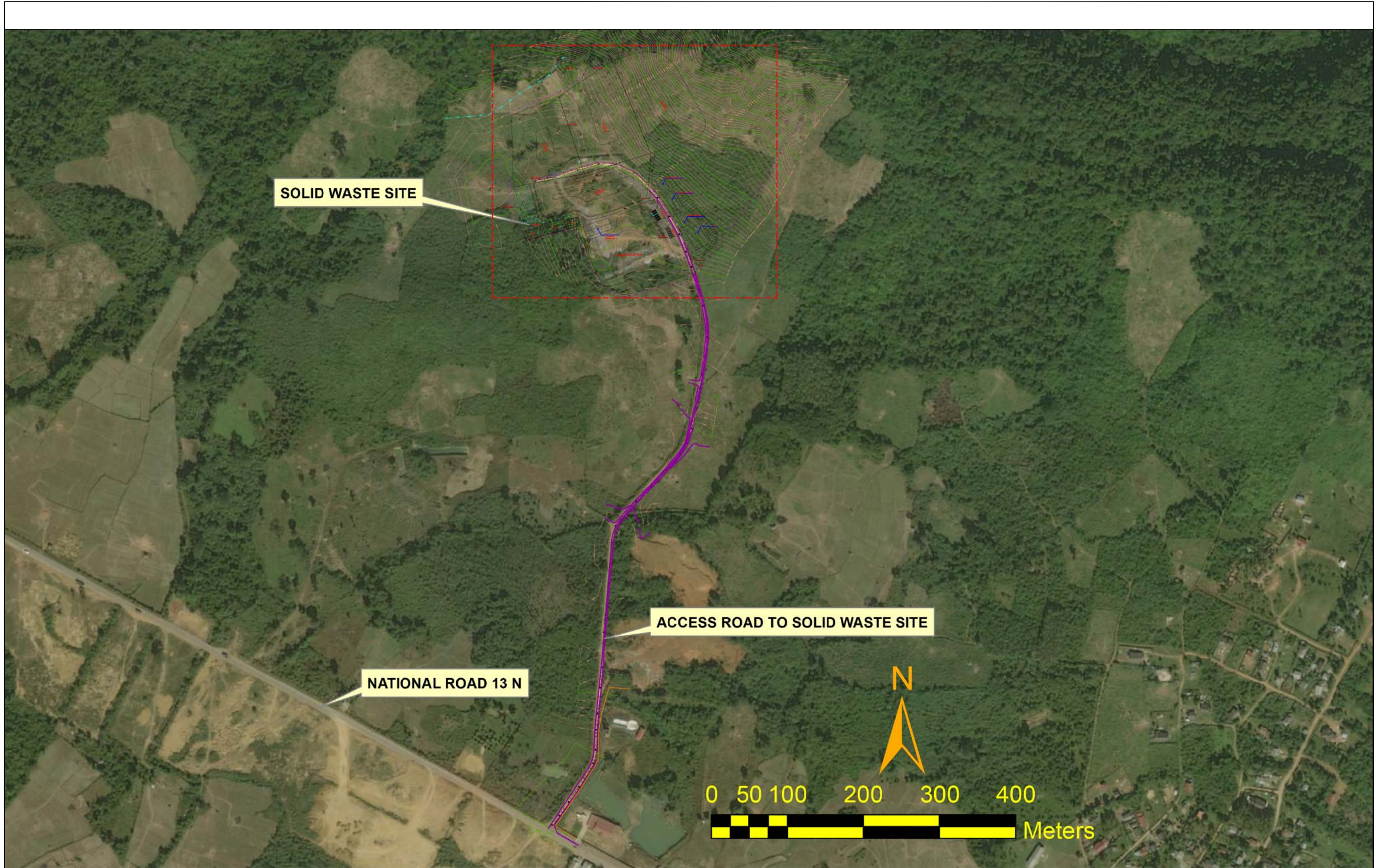
NAME OF PROJECT:
2ND GMS –TOURISM INFRASTRUCTURE FOR INCLUSIVE GROWTH
WORKS PACKAGE -TIIGP2-LAO-W04
Subproject V5: Vang Vieng Solid Waste Management Improvements

TITLE: Outline Site Location Image

DRAWING NO.: RAM-LAO-DED-W04-G-01

SHEET NO.: 00 OF 00
 SHEET SIZE: A3
 SCALE: 1 : 1000

REV: R01 DATE: JULY 2020



SOLID WASTE SITE

ACCESS ROAD TO SOLID WASTE SITE

NATIONAL ROAD 13 N



LEAD CONSULTANT :



Hannemanns Alle 53
DK-2300 København S
Tlf. +45 5161 1000
Fax +45 5161 1001
www.ramboll.dk

SUB-CONSULTANT:



Waste Concern Consultants
Level- 4, House No.- 120/B, (Masjid Road) Road- 7
New DOHS Mohakhali Dhaka- 1207, Bangladesh
Tlf. + 880-2-48810-841, + 880-2-48810-842
Fax. + 880-2- 9899-486, Email- office@wasteconcern.org
www.wasteconcern.org

CLIENT :

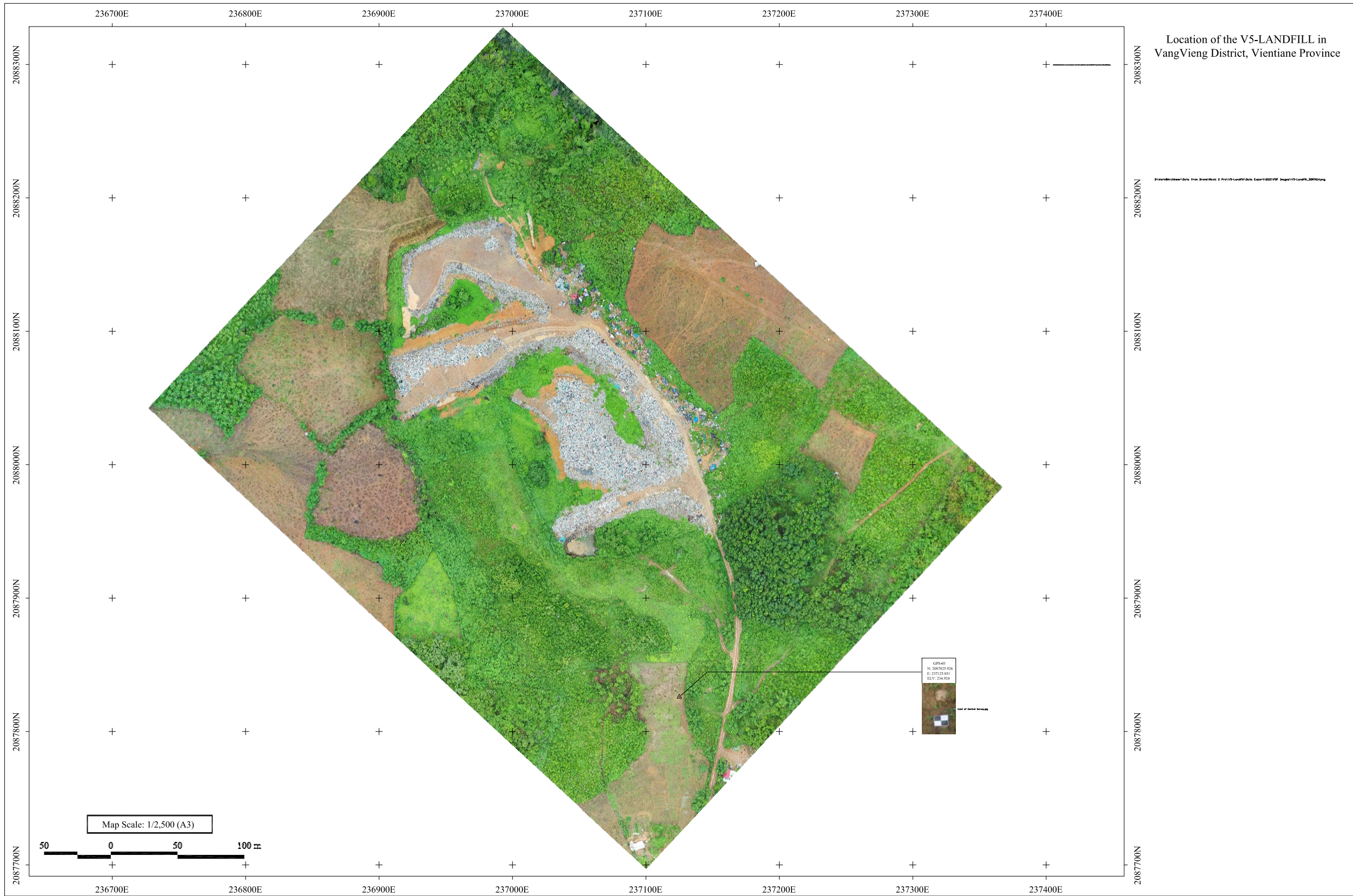


LAO PEOPLE'S DEMOCRATIC REPUBLIC (LAO PDR)
MINISTRY OF INFORMATION, CULTURE AND TOURISM

DESIGNED/DRAWN:	NAME OF PROJECT:
CHECKED:	2ND GMS –TOURISM INFRASTRUCTURE FOR INCLUSIVE GROWTH WORKS PACKAGE -TIIGP2-LAO-W04 Subproject V5: Vang Vieng Solid Waste Management Improvements
APPROVED:	TITLE: Site Location Image
REV. DATE DESCRIPTION DRN	SHEET NO.: 00 OF 00 SHEET SIZE: A3 SCALE: 1 : 1000
R01 20.07.2020 PRELIMINARY ISSUE	DRAWING NO.: RAM-LAO-DED-W04-G-02
	REV: R01 DATE: JULY 2020

MRITYUNJOY

Digital Orthophoto Map of V5-LANDFILL in VangVieng District, Vientiane Province




Location of the V5-LANDFILL in VangVieng District, Vientiane Province

Map Scale: 1/2,500 (A3)

LEAD CONSULTANT:
RAMBOLL
 Hannemanns Alle 53
 DK-2300 København S
 Tlf. +45 5161 1000
 Fax +45 5161 1001
 www.ramboll.dk

SUB-CONSULTANT:

Waste Concern Consultants
 Level- 4, House No.- 120/B, (Masjid Road) Road- 7
 New DOHS Mohakhali Dhaka- 1207, Bangladesh
 Tlf. + 880-2-48810-841, + 880-2-48810-842
 Fax. + 880-2- 9899-486, Email- office@wasteconcern.org
 www.wasteconcern.org

CLIENT:

LAO PEOPLE'S DEMOCRATIC REPUBLIC (LAO PDR)
MINISTRY OF INFORMATION, CULTURE AND TOURISM

REV.	DATE	DESCRIPTION	DRN
R01	20.07.2020	PRELIMINARY ISSUE	

DESIGNED/DRAWN: _____
 CHECKED: _____
 APPROVED: 
 MRITYUNJOY

NAME OF PROJECT:
2ND GMS –TOURISM INFRASTRUCTURE FOR INCLUSIVE GROWTH
WORKS PACKAGE -TIIGP2-LAO-W04
Subproject V5: Vang Vieng Solid Waste Management Improvements


TITLE:
 Digital Orthophoto Map of V5-LANDFILL in VangVieng District, Vientiane Province

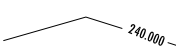
DRAWING NO.: RAM-LAO-DED-W04-G-04


SHEET NO: 00 OF 00
 SHEET SIZE: A3
 SCALE: _____
 REV: R01
 DATE: JULY 2020



LEGEND

 North direction

 Contour maximum

 Contour minimum

LEAD CONSULTANT :

RAMBOLL


Hannemanns Alle 53
DK-2300 København S
Tlf. +45 5161 1000
Fax +45 5161 1001
www.ramboll.dk

SUB-CONSULTANT:

 **Waste Concern Consultants**

Level- 4, House No.- 120/B, (Masjid Road) Road-7
New DOHS Mohakhali Dhaka-1207, Bangladesh
Tlf. + 880-2-48810-841, + 880-2-48810-842
Fax. + 880-2- 9899-486, Email- office@wasteconcern.org
www.wasteconcern.org

CLIENT :

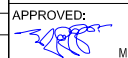
 **LAOS**

LAO PEOPLE'S DEMOCRATIC REPUBLIC (LAO PDR)
MINISTRY OF INFORMATION, CULTURE AND TOURISM

REV.	DATE	DESCRIPTION	DRN
R01	20.07.2020	PRELIMINARY ISSUE	

DESIGNED/DRAWN: _____

CHECKED: _____

APPROVED:  MRITYUNJOY

NAME OF PROJECT:
2ND GMS –TOURISM INFRASTRUCTURE FOR INCLUSIVE GROWTH
WORKS PACKAGE -TIIGP2-LAO-W04
Subproject V5: Vang Vieng Solid Waste Management Improvements

TITLE: Overall Site Layout with Facilities and Access Road

DRAWING NO.: RAM-LAO-DED-W04-G-05

SHEET NO.: 00 OF 00 SHEET SIZE: A3
SCALE: 1 : 3000

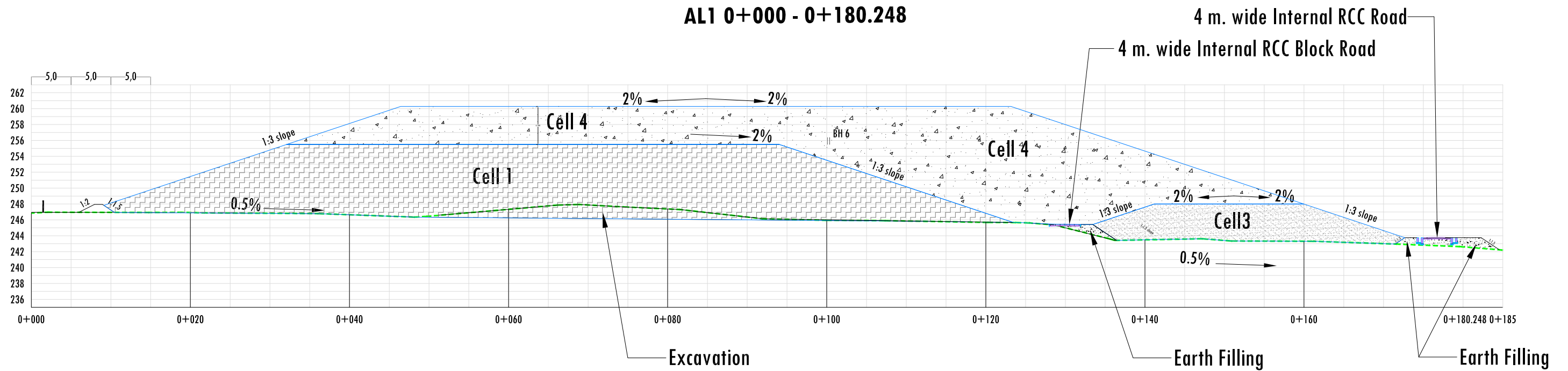
REV: R01 DATE: JULY 2020



AL 1 PROFILE

Cross section of land fill cell 1 development

AL1 0+000 - 0+180.248



LEAD CONSULTANT :
 Hannemanns Alle 53
 DK-2300 København S
 Tlf. +45 5161 1000
 Fax +45 5161 1001
 www.ramboll.dk

SUB-CONSULTANT:
Waste Concern Consultants
 Level- 4, House No.- 120/B, (Masjid Road) Road- 7
 New DOHS Mohakhali Dhaka- 1207, Bangladesh
 Tlf. + 880-2-48810-841, + 880-2-48810-842
 Fax. + 880-2- 9899-486, Email- office@wasteconcern.org
 www.wasteconcern.org

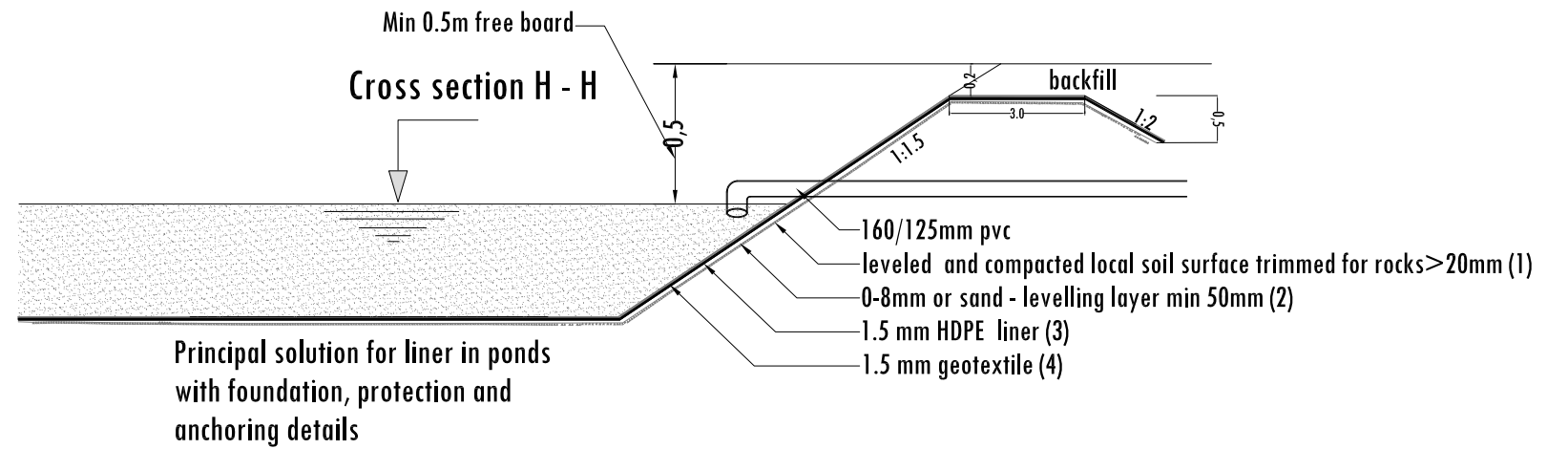
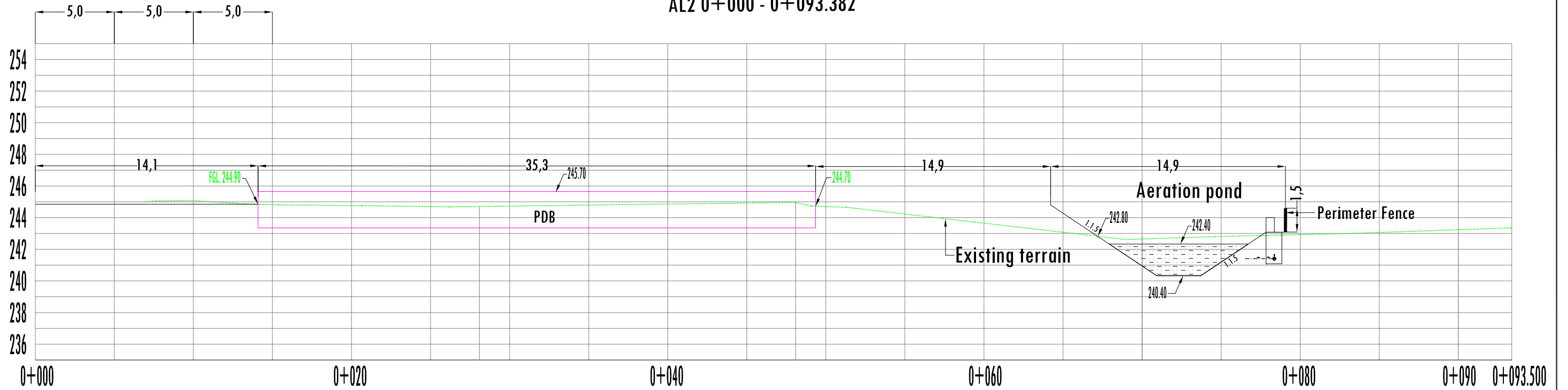
CLIENT :
LAOS
 LAO PEOPLE'S DEMOCRATIC REPUBLIC (LAO PDR)
 MINISTRY OF INFORMATION, CULTURE AND TOURISM

REV.	DATE	DESCRIPTION	DRN
R01	20.07.2020	PRELIMINARY ISSUE	

DESIGNED/DRAWN:	NAME OF PROJECT:	SHEET NO.:	SHEET SIZE:
CHECKED:	2ND GMS –TOURISM INFRASTRUCTURE FOR INCLUSIVE GROWTH	00	A3
APPROVED:	WORKS PACKAGE -TIIGP2-LAO-W04	OF	
	Subproject V5: Vang Vieng Solid Waste Management Improvements	00	
	TITLE:	SCALE:	1 : 500
	Al 1 Profile	DRAWING NO.:	RAM-LAO-DED-W04-G-07-1
		REV:	R01
		DATE:	JULY 2020

AL 2 PROFILE

AL2 0+000 - 0+093.382



LEAD CONSULTANT :



Hannemanns Alle 53
DK-2300 København S
Tlf. +45 5161 1000
Fax +45 5161 1001
www.ramboll.dk

SUB-CONSULTANT:



Waste Concern Consultants
Level- 4, House No.- 120/B, (Masjid Road) Road- 7
New DOHS Mohakhali Dhaka- 1207, Bangladesh
Tlf. + 880-2-48810-841, + 880-2-48810-842
Fax. + 880-2- 9899-486, Email- office@wasteconcern.org
www.wasteconcern.org

CLIENT :



LAO PEOPLE'S DEMOCRATIC REPUBLIC (LAO PDR)
MINISTRY OF INFORMATION, CULTURE AND TOURISM

REV.	DATE	DESCRIPTION	DRN
R01	20.07.2020	PRELIMINARY ISSUE	

DESIGNED/DRAWN:

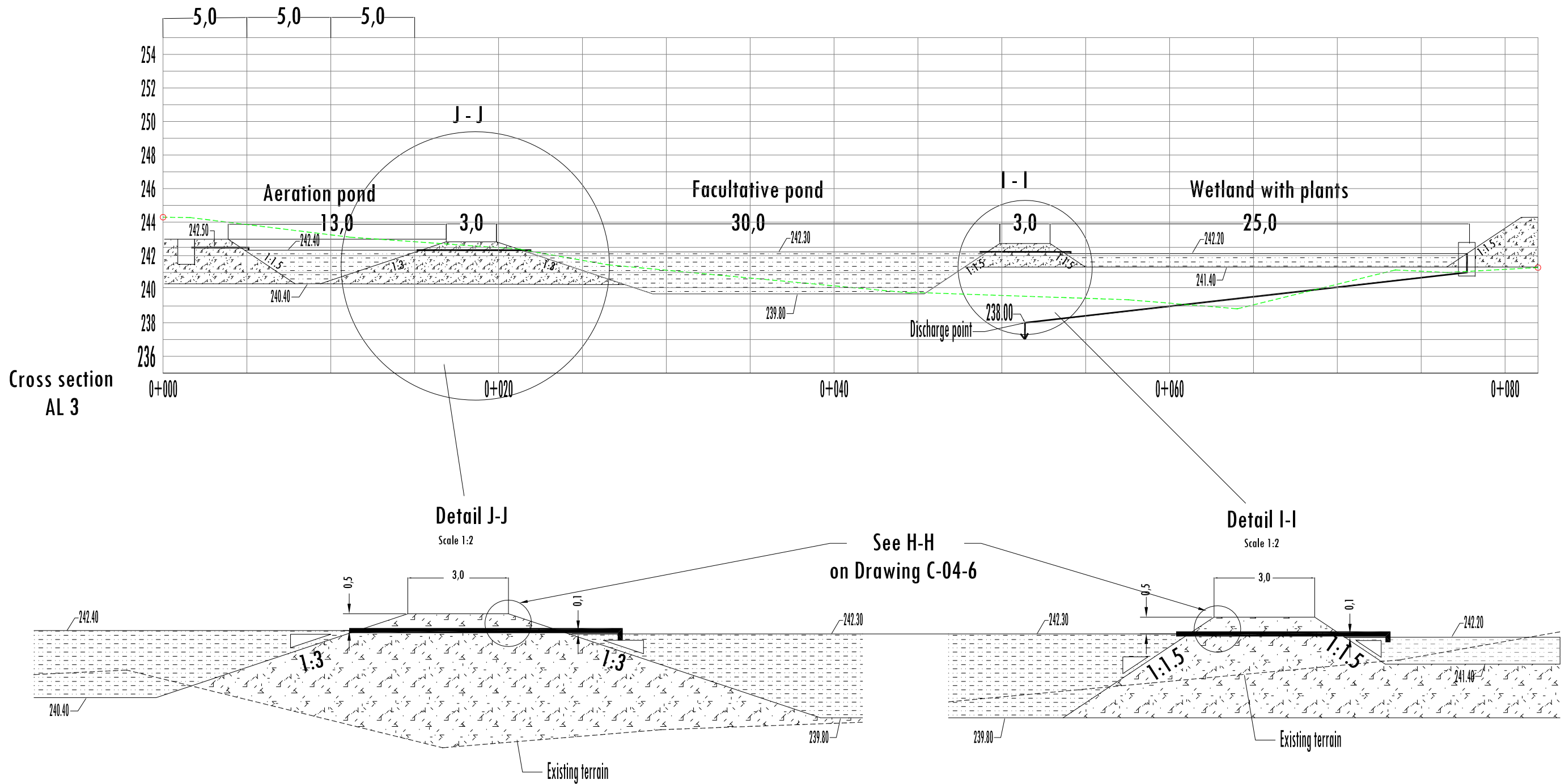
CHECKED:

APPROVED:

NAME OF PROJECT: 2ND GMS -TOURISM INFRASTRUCTURE FOR INCLUSIVE GROWTH WORKS PACKAGE -TIIGP2-LAO-W04 Subproject V5: Vang Vieng Solid Waste Management Improvements		SHEET NO.: 00 OF 00	SHEET SIZE: A3
TITLE: Al 2 Profile: Principal solution for liner in ponds with foundation, protection and anchoring details		SCALE: 1 : 500	
DRAWING NO.: RAM-LAO-DED-W04-G-07-2		REV: R01	DATE: JULY 2020

AL 3 PROFILE

Leachate treatment system principal cross section



LEAD CONSULTANT :



Hannemanns Alle 53
DK-2300 København S
Tlf. +45 5161 1000
Fax +45 5161 1001
www.ramboll.dk

SUB-CONSULTANT:



Waste Concern Consultants
Level- 4, House No.- 120/B, (Masjid Road) Road- 7
New DOHS Mohakhali Dhaka- 1207, Bangladesh
Tlf. + 880-2-48810-841, + 880-2-48810-842
Fax. + 880-2- 9899-486, Email- office@wasteconcern.org
www.wasteconcern.org

CLIENT :



LAO PEOPLE'S DEMOCRATIC REPUBLIC (LAO PDR)
MINISTRY OF INFORMATION, CULTURE AND TOURISM

REV.	DATE	DESCRIPTION	DRN
R01	20.07.2020	PRELIMINARY ISSUE	

DESIGNED/DRAWN:
CHECKED:
APPROVED: *[Signature]* MRITYUNJOY

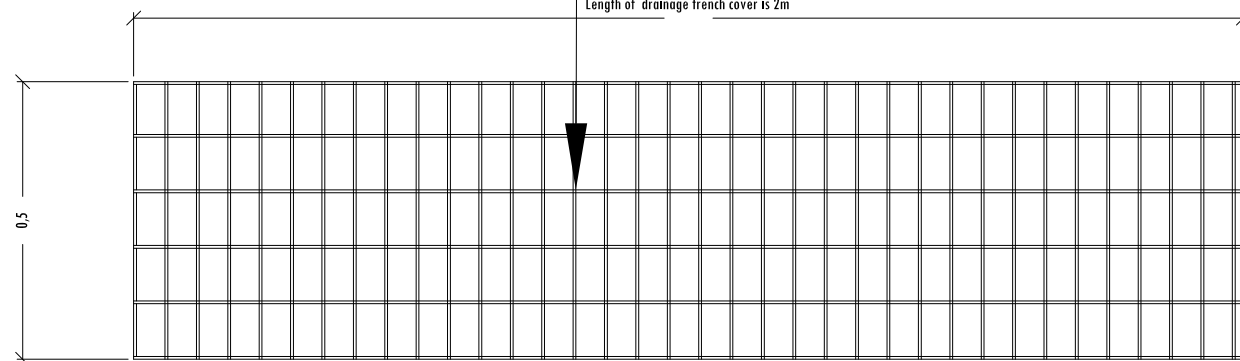
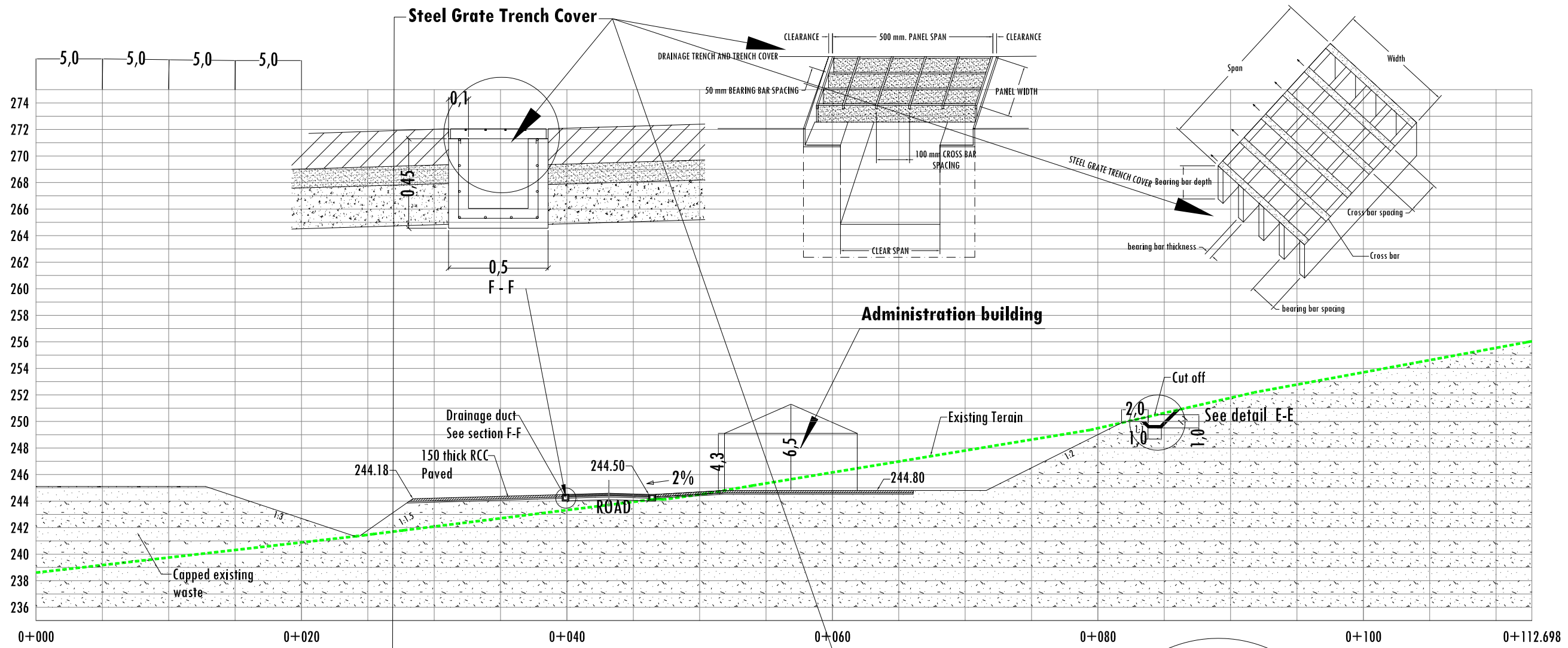
NAME OF PROJECT:
2ND GMS -TOURISM INFRASTRUCTURE FOR INCLUSIVE GROWTH
WORKS PACKAGE -TIIG2-LAO-W04
Subproject V5: Vang Vieng Solid Waste Management Improvements

TITLE: AL 3 Profile : Leachate treatment system principal cross section	SHEET NO.: 00 OF 00	SHEET SIZE: A3
DRAWING NO.: RAM-LAO-DED-W04-G-07-3	SCALE: 1:500	REV: R01
	DATE: JULY 2020	

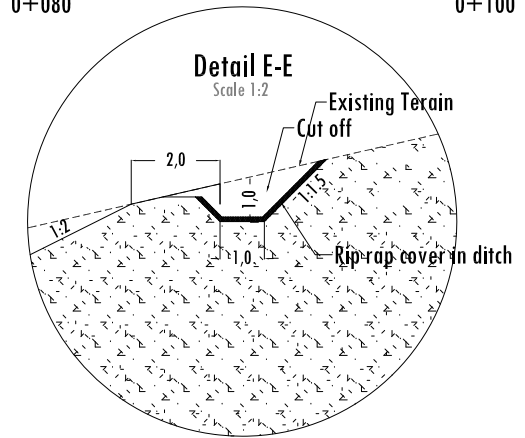


AL 4 PROFILE

AL4 0+000 - 0+112.698



1. Material : 304 316 stainless steel
2. Welding type : ss-waged locked, pressure locked, welded, weaved locked, revited locked
3. Grating Style : Plain, smooth, serrated, /teeth, I bar, serrated I bar
4. Length & width : customized
5. Cross bar : 6mm 8mm
6. Cross bar spacing : 50mm
7. Bearing bar thickness: 3mm 4mm 5mm
8. Bearing bar depth : 25 30 32 35 40 45 50 60mm



LEAD CONSULTANT :
RAMBOLL
 Hannemanns Alle 53
 DK-2300 København S
 Tlf. +45 5161 1000
 Fax +45 5161 1001
 www.ramboll.dk

SUB-CONSULTANT:
Waste Concern Consultants
 Level- 4, House No.- 120/B, (Masjid Road) Road- 7
 New DOHS Mohakhali Dhaka- 1207, Bangladesh
 Tlf. + 880-2-48810-841, + 880-2-48810-842
 Fax. + 880-2- 9899-486, Email- office@wasteconcern.org
 www.wasteconcern.org

CLIENT :

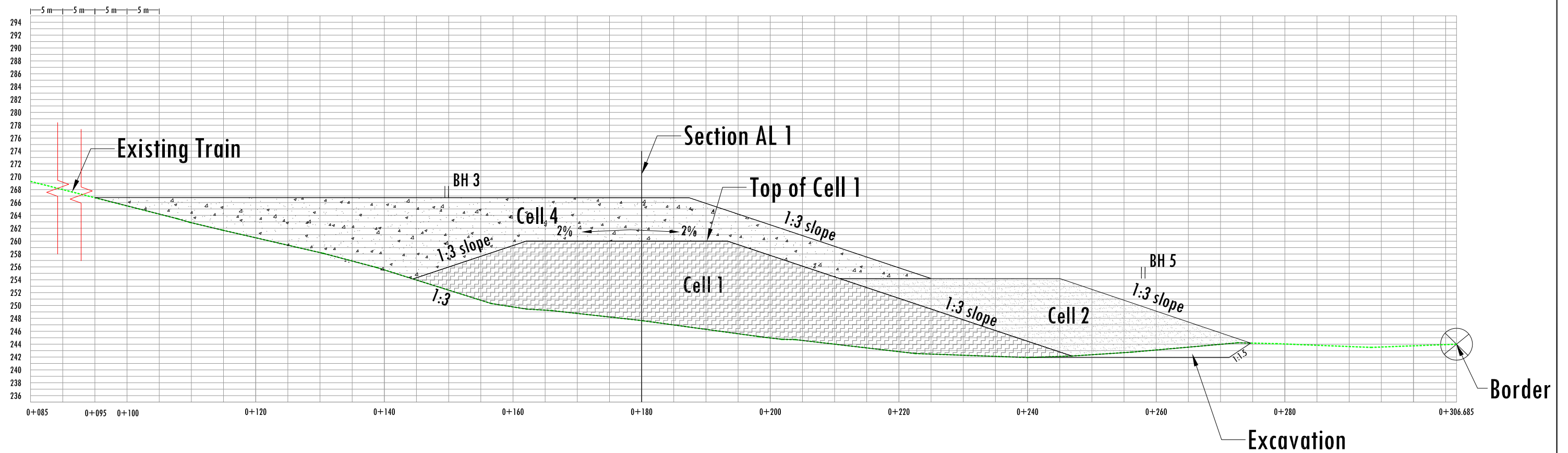
LAO PEOPLE'S DEMOCRATIC REPUBLIC (LAO PDR)
MINISTRY OF INFORMATION, CULTURE AND TOURISM

REV.	DATE	DESCRIPTION	DRN
R01	20.07.2020	PRELIMINARY ISSUE	

DESIGNED/DRAWN:
 CHECKED:
 APPROVED:
 NAME OF PROJECT:
2ND GMS -TOURISM INFRASTRUCTURE FOR INCLUSIVE GROWTH
WORKS PACKAGE -TIIGP2-LAO-W04
Subproject V5: Vang Vieng Solid Waste Management Improvements
 TITLE:
 Al 4 Profile: Drainage Duct Details
 SHEET NO.: 00 OF 00
 SHEET SIZE: A3
 SCALE: 1:300
 DRAWING NO.: RAM-LAO-DED-W04-G-07-04
 REV: R01
 DATE: JULY 2020

AL 5 PROFILE

Cross section of cell development



LEAD CONSULTANT :



Hannemanns Alle 53
DK-2300 København S
Tlf. +45 5161 1000
Fax +45 5161 1001
www.ramboll.dk

SUB-CONSULTANT:



Waste Concern Consultants
Level- 4, House No.- 120/B, (Masjid Road) Road- 7
New DOHS Mohakhali Dhaka- 1207, Bangladesh
Tlf. + 880-2-48810-841, + 880-2-48810-842
Fax. + 880-2- 9899-486, Email- office@wasteconcern.org
www.wasteconcern.org

CLIENT :



LAO PEOPLE'S DEMOCRATIC REPUBLIC (LAO PDR)
MINISTRY OF INFORMATION, CULTURE AND TOURISM

REV.	DATE	DESCRIPTION	DRN
R01	20.07.2020	PRELIMINARY ISSUE	

DESIGNED/DRAWN:
CHECKED:
APPROVED: *[Signature]* MRITYUNJOY

NAME OF PROJECT:
**2ND GMS -TOURISM INFRASTRUCTURE FOR INCLUSIVE GROWTH
WORKS PACKAGE -TIIGP2-LAO-W04**

Subproject V5: Vang Vieng Solid Waste Management Improvements

TITLE:
Al 5 Profile: Cross section of cell development

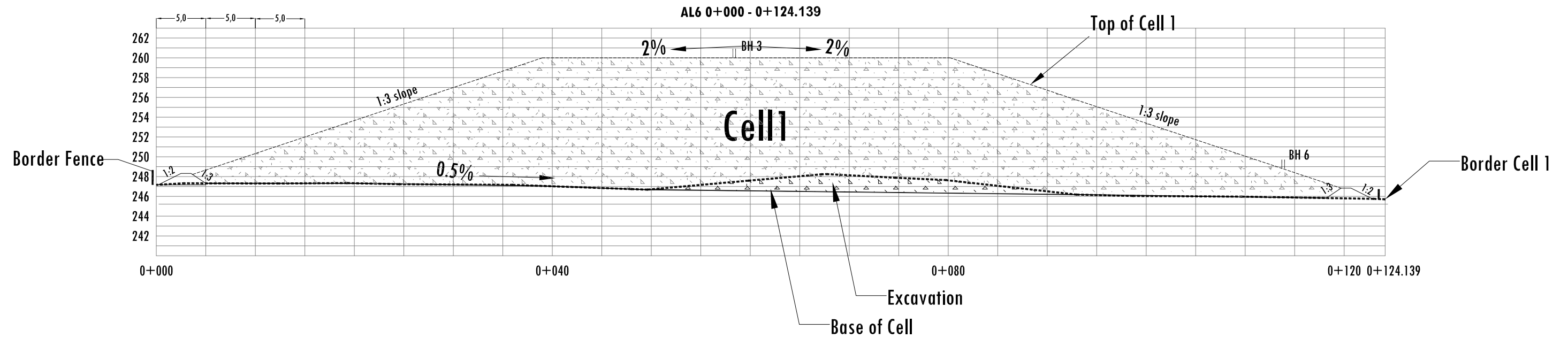
DRAWING NO.: RAM-LAO-DED-W04-G-07-5

SHEET NO.: 00 OF 00 SHEET SIZE: A3

SCALE: 1 : 500

REV: R01 DATE: JULY 2020

AL 6 PROFILE




LEAD CONSULTANT :

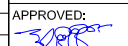
 Hannemanns Alle 53
 DK-2300 København S
 Tlf. +45 5161 1000
 Fax +45 5161 1001
 www.ramboll.dk

SUB-CONSULTANT:

Waste Concern Consultants
 Level- 4, House No.- 120/B, (Masjid Road) Road- 7
 New DOHS Mohakhali Dhaka- 1207, Bangladesh
 Tlf. + 880-2-48810-841, + 880-2-48810-842
 Fax. + 880-2- 9899-486, Email- office@wasteconcern.org
 www.wasteconcern.org

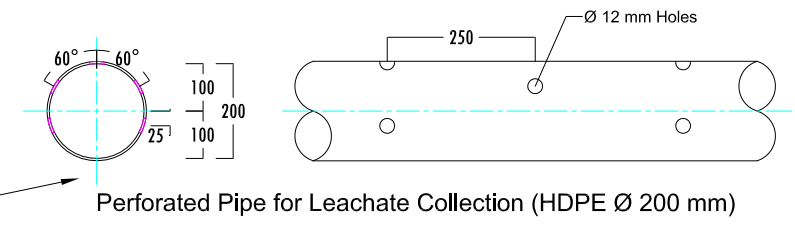
CLIENT :

LAOS
 LAO PEOPLE'S DEMOCRATIC REPUBLIC (LAO PDR)
 MINISTRY OF INFORMATION, CULTURE AND TOURISM

REV.	DATE	DESCRIPTION	DRN
R01	20.07.2020	PRELIMINARY ISSUE	

DESIGNED/DRAWN: _____
 CHECKED: _____
 APPROVED: 
 MRITYUNJOY

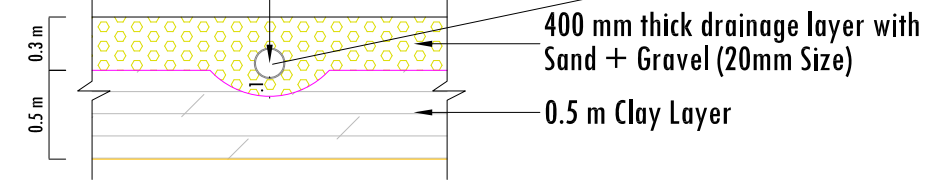
NAME OF PROJECT: 2ND GMS -TOURISM INFRASTRUCTURE FOR INCLUSIVE GROWTH WORKS PACKAGE -TIIGP2-LAO-W04		SHEET NO.: 00 OF 00	SHEET SIZE: A3
Subproject V5: Vang Vieng Solid Waste Management Improvements		SCALE: 1:300	
TITLE: Al 6 Profile		DRAWING NO.: RAM-LAO-DED-W04-G-07-6	
REV: R01	DATE: JULY 2020		

AL 7 PROFILE



200mm Ø HDPE collection pipes with slots/perforated

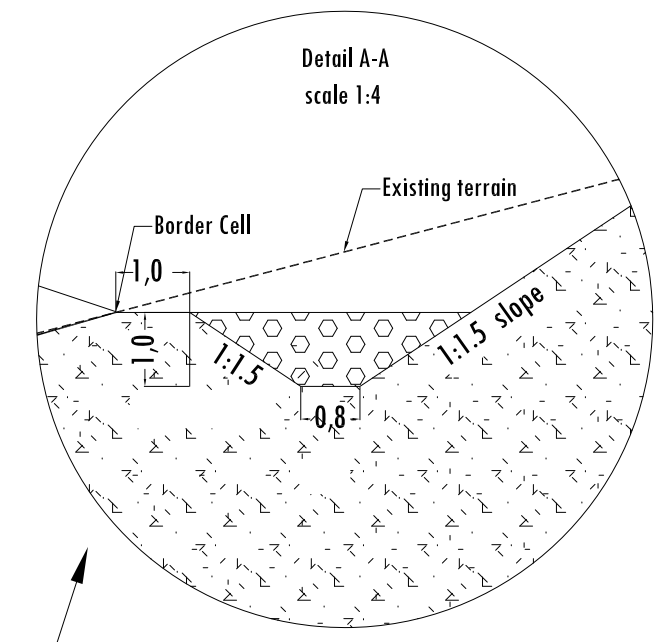
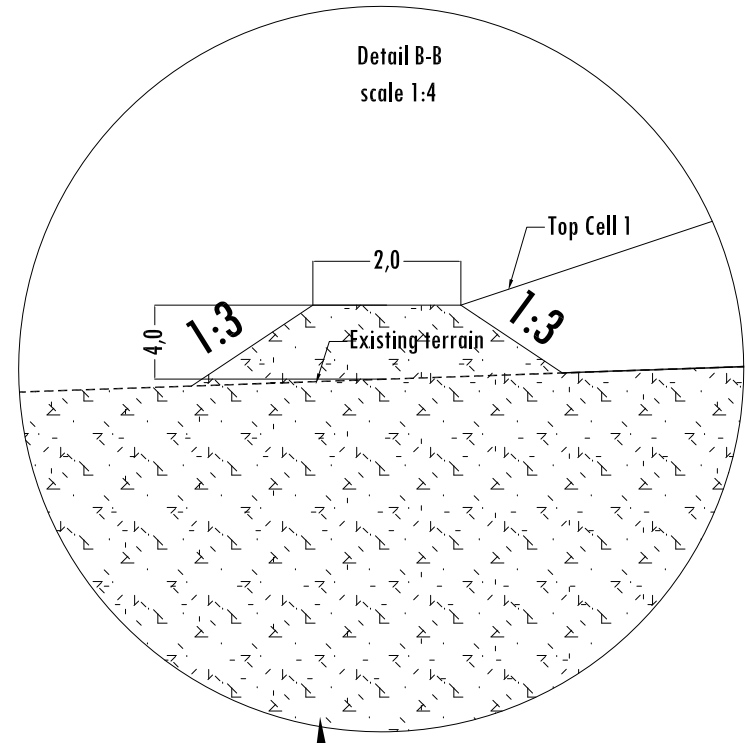
Perforated Pipe for Leachate Collection (HDPE Ø 200 mm)



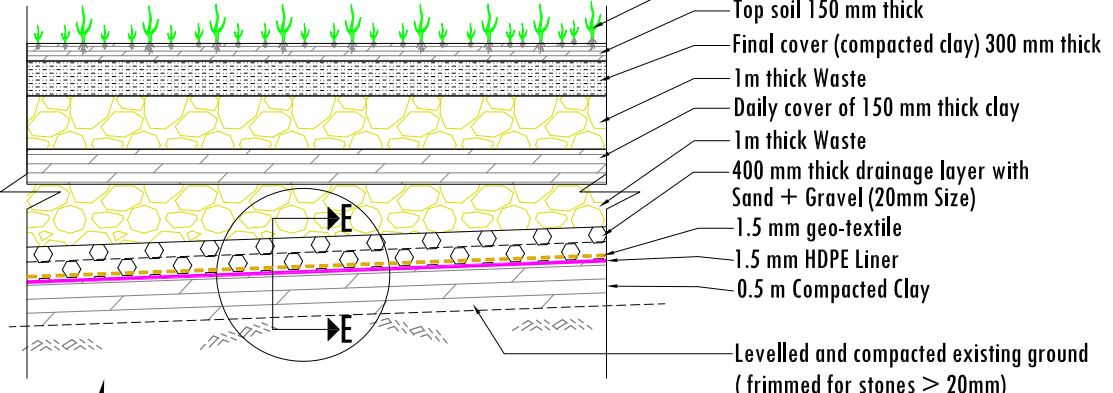
400 mm thick drainage layer with Sand + Gravel (20mm Size)

0.5 m Clay Layer

Leachate Drainage E-E

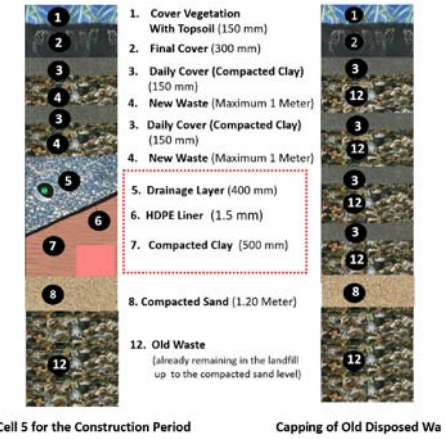
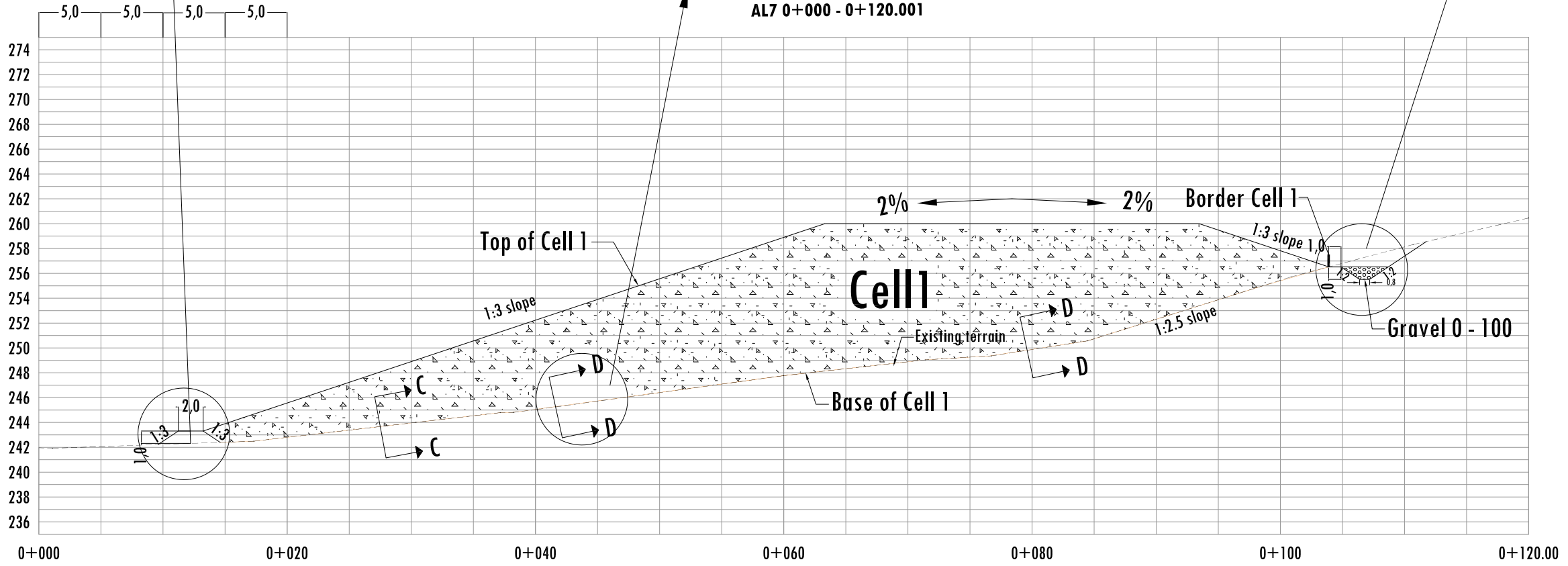


D-D Liner, foundation and drainage



- Cover Vegetation
- Top soil 150 mm thick
- Final cover (compacted clay) 300 mm thick
- 1m thick Waste
- Daily cover of 150 mm thick clay
- 1m thick Waste
- 400 mm thick drainage layer with Sand + Gravel (20mm Size)
- 1.5 mm geo-textile
- 1.5 mm HDPE Liner
- 0.5 m Compacted Clay
- Levelled and compacted existing ground (rimmed for stones > 20mm)

AL7 0+000 - 0+120.001



LEAD CONSULTANT :

Hannemanns Alle 53
DK-2300 København S
Tlf. +45 5161 1000
Fax +45 5161 1001
www.ramboll.dk

SUB-CONSULTANT:

Waste Concern Consultants
Level- 4, House No.- 120/B, (Masjid Road) Road- 7
New DOHS Mohakhali Dhaka- 1207, Bangladesh
Tlf. + 880-2-48810-841, + 880-2-48810-842
Fax. + 880-2- 9899-486, Email- office@wasteconcern.org
www.wasteconcern.org

CLIENT :

LAO PEOPLE'S DEMOCRATIC REPUBLIC (LAO PDR)
MINISTRY OF INFORMATION, CULTURE AND TOURISM

REV.	DATE	DESCRIPTION	DRN
R01	20.07.2020	PRELIMINARY ISSUE	

DESIGNED/DRAWN: _____

CHECKED: _____

APPROVED: _____

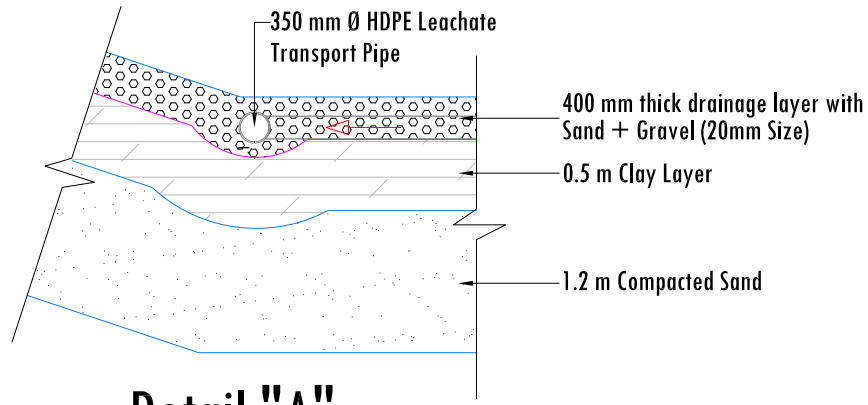
NAME OF PROJECT:
2ND GMS –TOURISM INFRASTRUCTURE FOR INCLUSIVE GROWTH
WORKS PACKAGE -TIIGP2-LAO-W04
Subproject V5: Vang Vieng Solid Waste Management Improvements

TITLE:
Al 7 Profile: D-D Liner foundation and drainage, Detail- A-A & B-B

DRAWING NO.: RAM-LAO-DED-W04-G-07-7

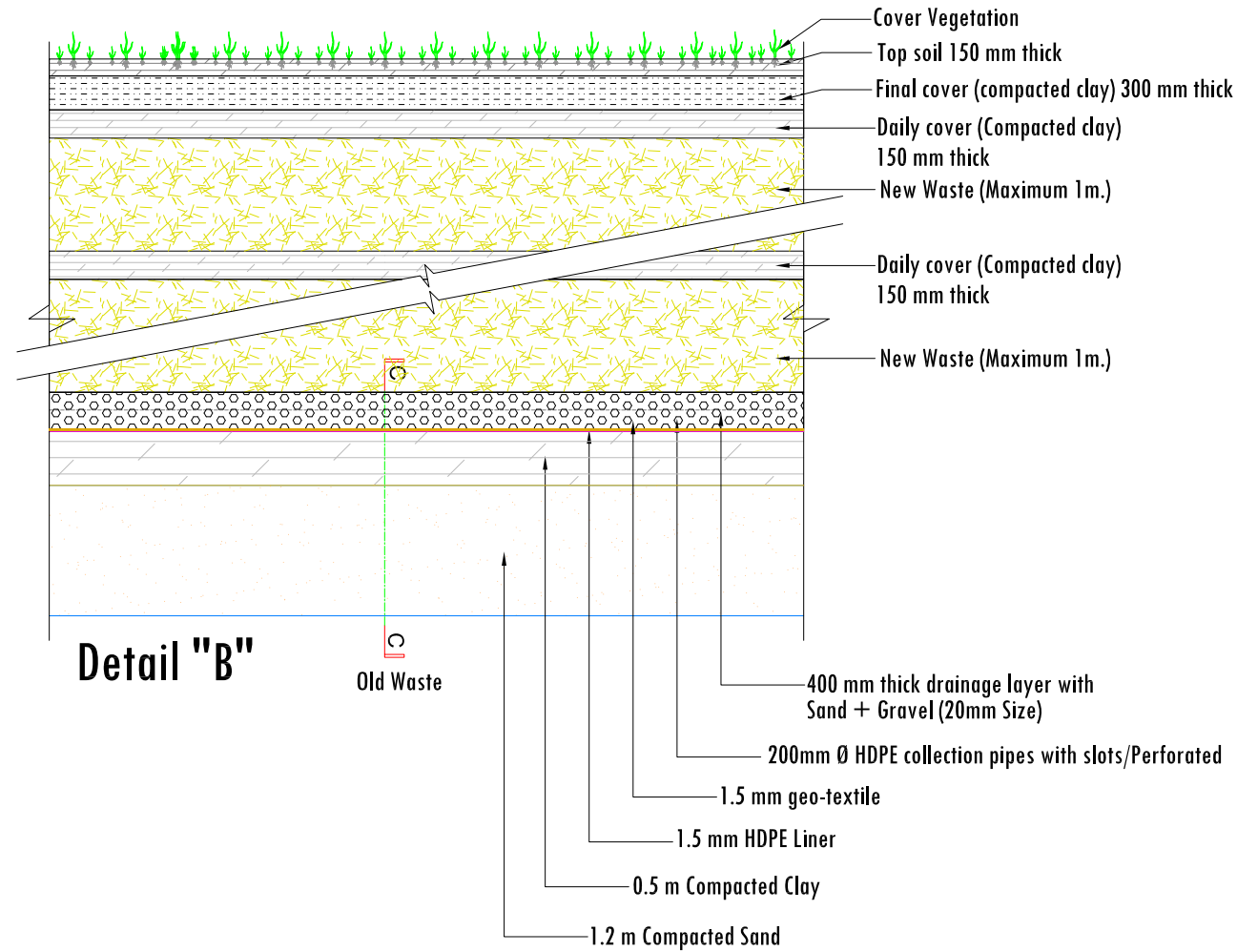
SHEET NO.: 00 OF 00
SCALE: 1 : 300

SHEET SIZE: A3
REV: R01 DATE: JULY 2020

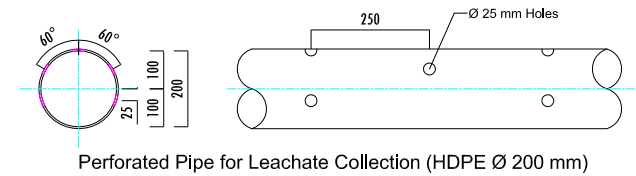


Detail "A"

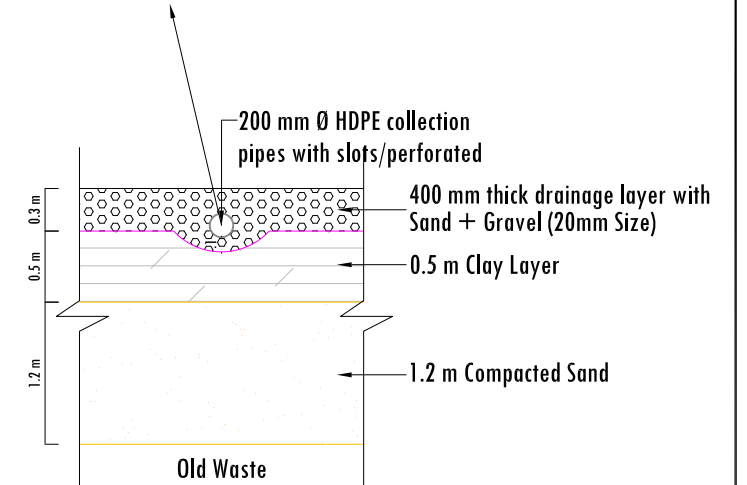
The proposed landfill site has an 8.4 ha land area. At present, 1 (one) ha land of the proposed landfill project is being used for uncontrolled waste disposal since 2007. At present, this land has an average depth of 4 (four) meters from the ground level, and it is located on the eastern side of the landfill site. At present, 4800 sq.m of this land area is filled with 40 Ton/day incoming garbage by having a height of 3 meters from the ground level. The rest 5200 sq.m land is still remaining vacant. During the construction phase of the proposed landfill project, the management of daily incoming waste in the existing landfill may become challenging and needs proper attention. To keep the daily incoming waste management uninterrupted during the construction period, a new landfill cell-5 has been introduced, which is located partially in the existing landfill site. The Landfill cell-5 is designed to receive daily incoming waste for at least two years (considering construction period two years). Construction of the proposed landfill cell-5 will be carried out on the western part of the site considering 8 (eight) meter height from the ground level. Firstly, about 1.2-meter deep old waste will be excavated and removed from the existing landfill site by bulldozers and excavators and taken to the nearby vacant site of Cell 3 located on the northern side of the Landfill cell-5. Later this site will be filled up with compacted sand. An embankment road will be prepared to separate the new landfill cell-5 and side by side the capped existing waste site. The new landfill Cell-5 will be receiving new waste from the starting date of the construction and will have a proper drainage system at the base along with a daily cover and final cover. The other cell called capped existing waste will be filled up with old garbage by bulldozer up to a height of 8 meters from the ground level. Here it should be mentioned that no liner or drainage layer has been provided at the base of the cell heaped with old waste.



Detail "B"



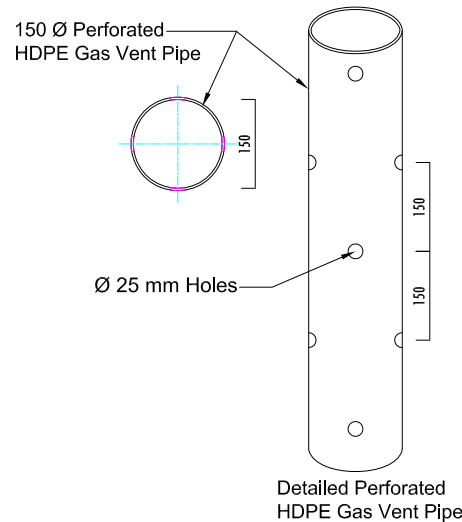
Perforated Pipe for Leachate Collection (HDPE Ø 200 mm)



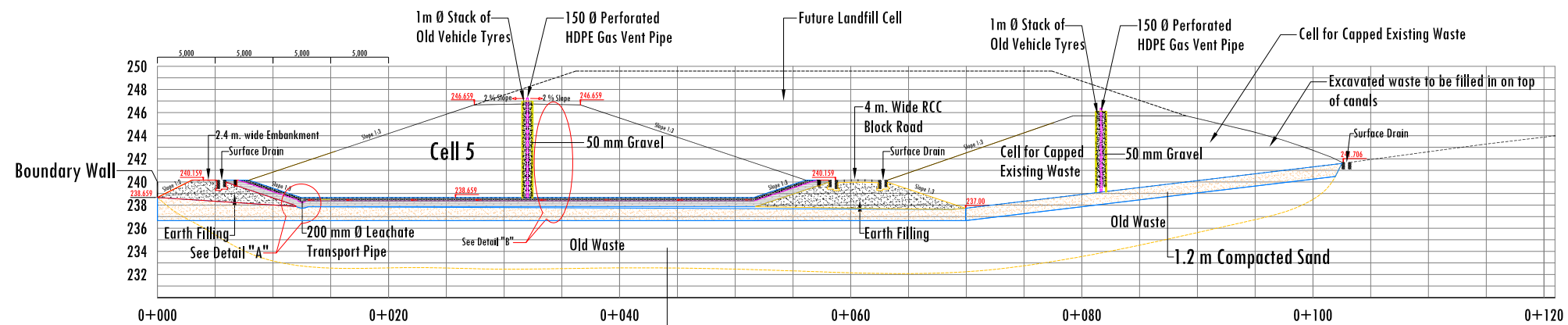
Leachate Drainage C-C

.\laos landfill section.jpg

**AL 8 PROFILE - Cell - 5
AL8 0+000 - 0+120.948**



Detailed Perforated HDPE Gas Vent Pipe



LEAD CONSULTANT :



Hannemanns Alle 53
DK-2300 København S
Tlf. +45 5161 1000
Fax +45 5161 1001
www.ramboll.dk

SUB-CONSULTANT:



Waste Concern Consultants
Level- 4, House No.- 120/B, (Masjid Road) Road- 7
New DOHS Mohakhali Dhaka- 1207, Bangladesh
Tlf. + 880-2-48810-841, + 880-2-48810-842
Fax. + 880-2- 9899-486, Email- office@wasteconcern.org
www.wasteconcern.org

CLIENT :



**LAO PEOPLE'S DEMOCRATIC REPUBLIC (LAO PDR)
MINISTRY OF INFORMATION, CULTURE AND TOURISM**

REV.	DATE	DESCRIPTION	DRN
R01	20.07.2020	PRELIMINARY ISSUE	

DESIGNED/DRAWN:

CHECKED:

APPROVED:

NAME OF PROJECT:
**2ND GMS -TOURISM INFRASTRUCTURE FOR INCLUSIVE GROWTH
WORKS PACKAGE -TIIGP2-LAO-W04**

Subproject V5: Vang Vieng Solid Waste Management Improvements

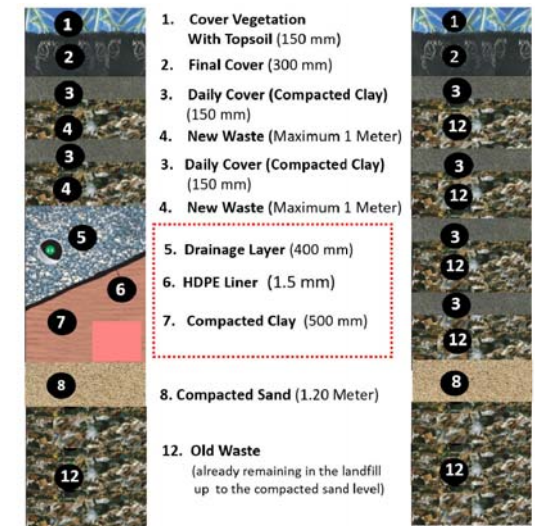
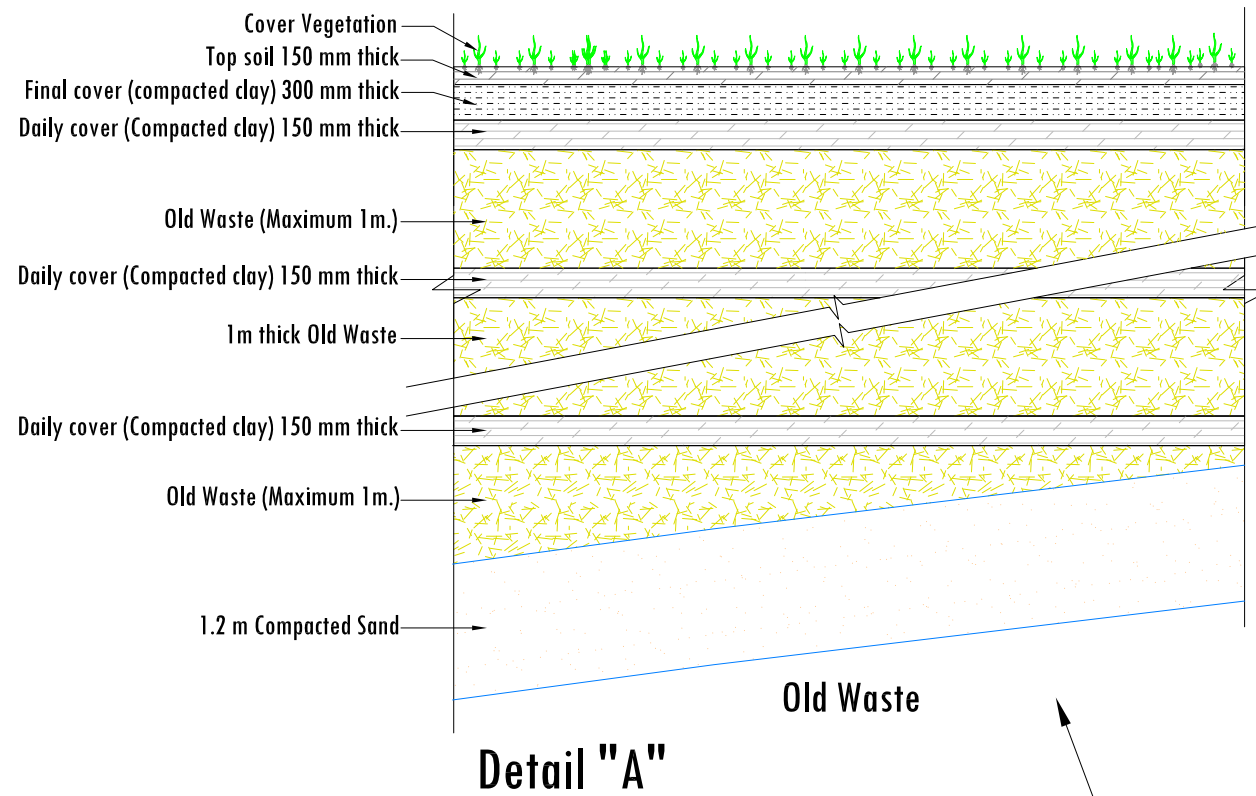
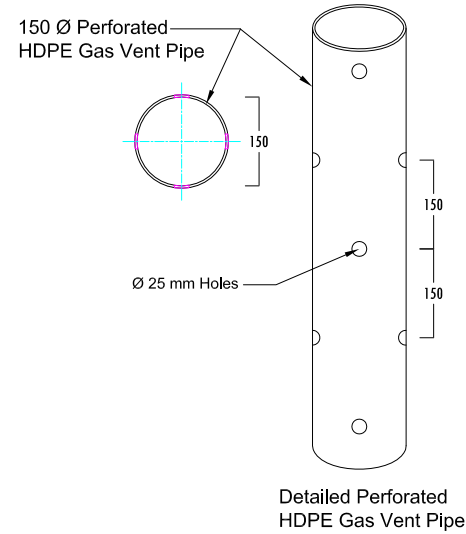
TITLE:
AL 8 Profile: Cell 5

DRAWING NO.: RAM-LAO-DED-W04-G-07-8

SHEET NO.: 00 OF 00
SCALE: 1:200

SHEET SIZE: A3
REV: R01
DATE: JULY 2020

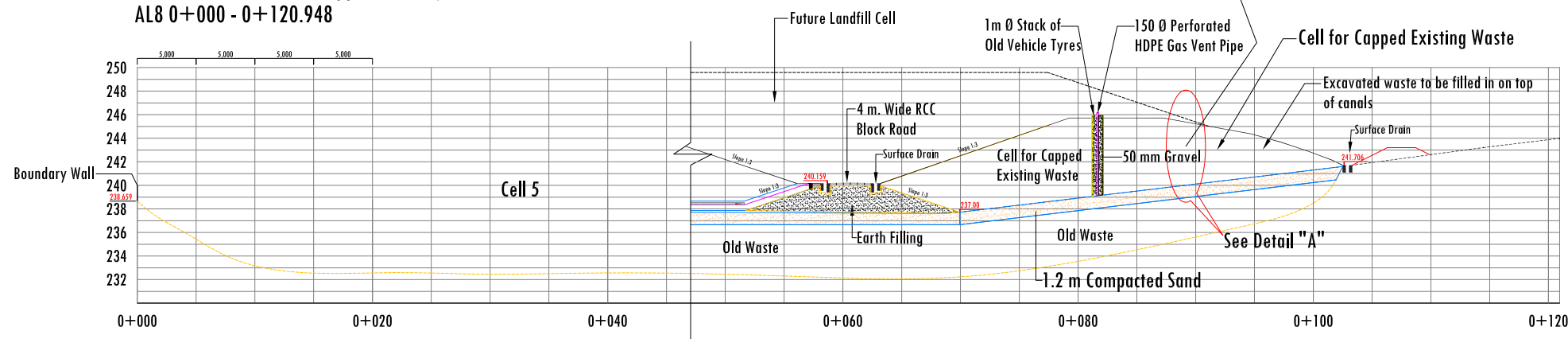
MRITYUNJOY



Cell 5 for the Construction Period

Capping of Old Disposed Waste

AL 8 PROFILE - Cell for Capped Existing Waste
AL8 0+000 - 0+120.948



LEAD CONSULTANT :
RAMBOLL
Hannemanns Alle 53
DK-2300 København S
Tlf. +45 5161 1000
Fax +45 5161 1001
www.ramboll.dk

SUB-CONSULTANT:
Waste Concern Consultants
Level- 4, House No.- 120/B, (Masjid Road) Road- 7
New DOHS Mohakhali Dhaka- 1207, Bangladesh
Tlf. + 880-2-48810-841, + 880-2-48810-842
Fax. + 880-2- 9899-486, Email- office@wasteconcern.org
www.wasteconcern.org

CLIENT :
LAOS
LAO PEOPLE'S DEMOCRATIC REPUBLIC (LAO PDR)
MINISTRY OF INFORMATION, CULTURE AND TOURISM

REV.	DATE	DESCRIPTION	DRN
R01	20.07.2020	PRELIMINARY ISSUE	

DESIGNED/DRAWN:
CHECKED:
APPROVED:
MRITYUNJOY

NAME OF PROJECT:
**2ND GMS -TOURISM INFRASTRUCTURE FOR INCLUSIVE GROWTH
WORKS PACKAGE -TIIGP2-LAO-W04
Subproject V5: Vang Vieng Solid Waste Management Improvements**

TITLE:
AL 8 Profile: Cell for Capped Existing Waste

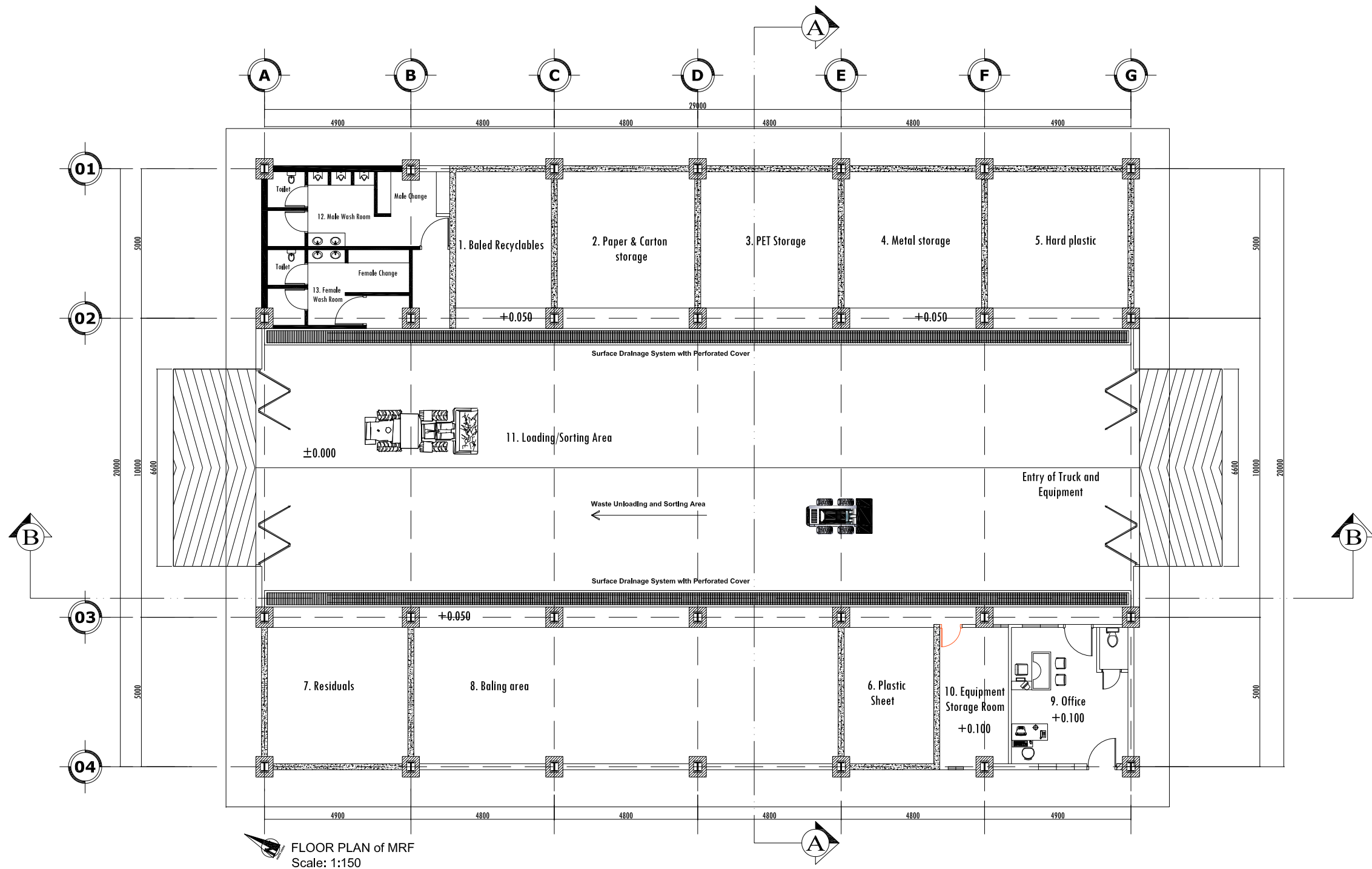
DRAWING NO.: RAM-LAO-DED-W04-G-07-9

SHEET NO.: 00 OF 00
SCALE: 1 : 200

SHEET SIZE: A3
REV: R01
DATE: JULY 2020

Note:

1. Bale Recyclables
2. Papers & Carton
3. PET Storage
4. Metal Storage
5. Hard Plastic
6. Plastic sheets
7. Residuals
8. Baling Area
9. Office
10. Equipment Storage Area
11. Loading/Sorting Area
12. Male Wash Room
13. Female Wash Room



FLOOR PLAN of MRF
Scale: 1:150

LEAD CONSULTANT :



Hannemanns Alle 53
DK-2300 København S
Tlf. +45 5161 1000
Fax +45 5161 1001
www.ramboll.dk

SUB-CONSULTANT:



Waste Concern Consultants
Level- 4, House No.- 120/B, (Masjid Road) Road- 7
New DOHS Mohakhali Dhaka- 1207, Bangladesh
Tlf. + 880-2-48810-841, + 880-2-48810-842
Fax. + 880-2- 9899-486, Email- office@wasteconcern.org
www.wasteconcern.org

CLIENT :



LAO PEOPLE'S DEMOCRATIC REPUBLIC (LAO PDR)
MINISTRY OF INFORMATION, CULTURE AND TOURISM

REV.	DATE	DESCRIPTION	DRN
R01	20.07.2020	PRELIMINARY ISSUE	

DESIGNED/DRAWN: /
CHECKED: /
APPROVED: *[Signature]*
MRITYUNJOY

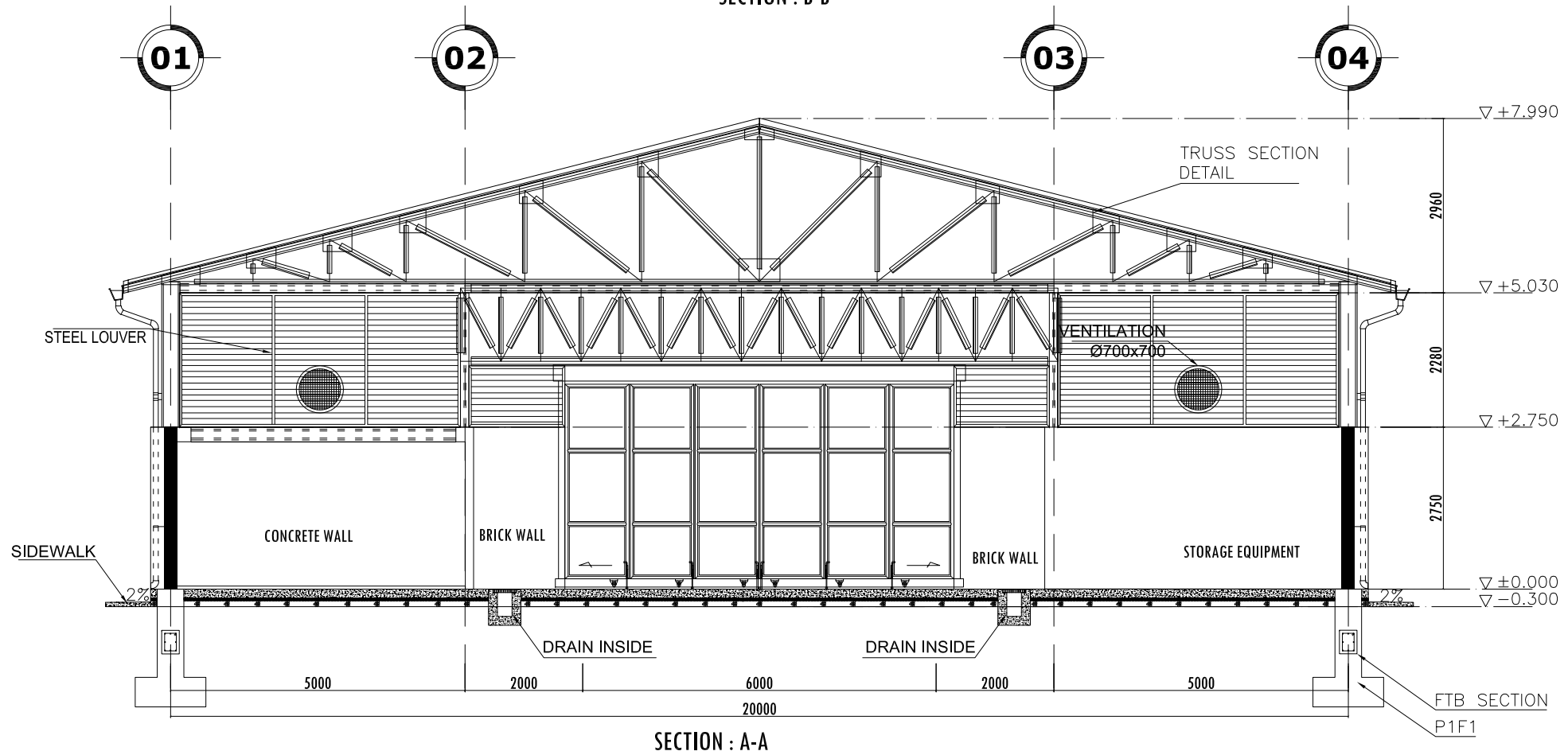
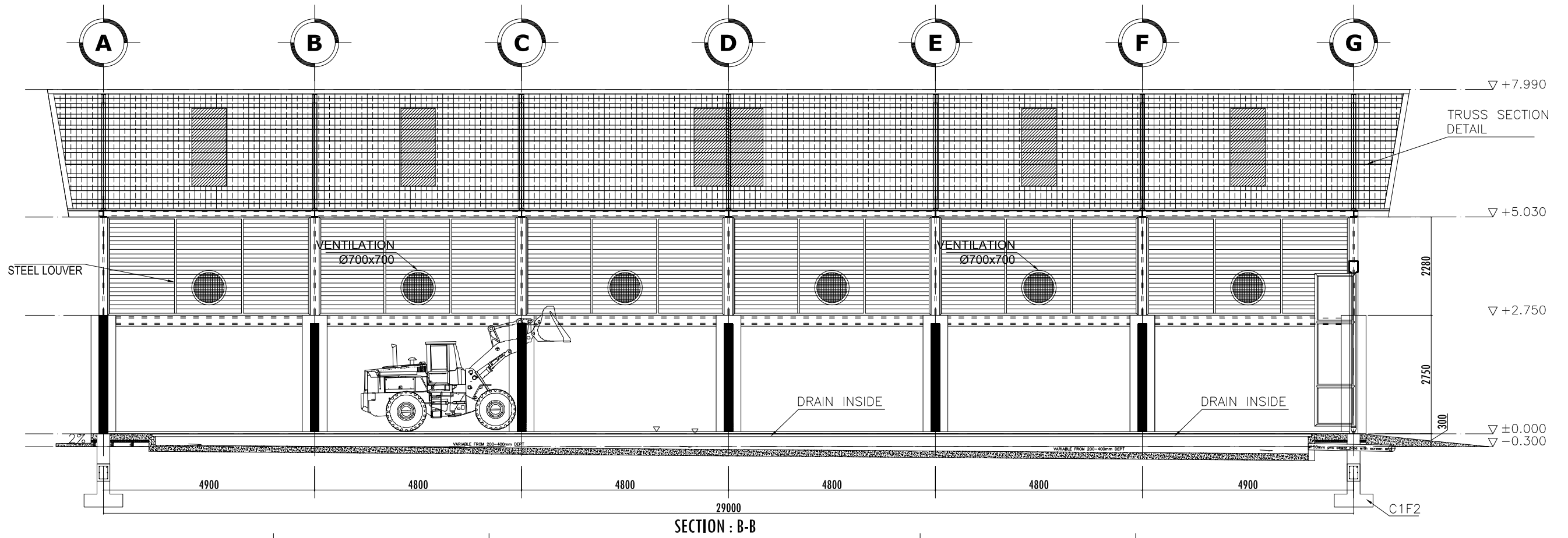
NAME OF PROJECT:
**2ND GMS -TOURISM INFRASTRUCTURE FOR INCLUSIVE GROWTH
WORKS PACKAGE -TIIG2-LAO-W04
Subproject V5: Vang Vieng Solid Waste Management Improvements**

TITLE:
MRF - FLOOR PLAN

DRAWING NO.: RAM-LAO-DED-W04-A-01-1

SHEET NO.: 00 OF 00
SCALE: /
SHEET SIZE: A3

REV: R01 DATE: JULY 2020



LEAD CONSULTANT :



Hannemanns Alle'53
DK-2300 København S
Tlf. +45 5161 1000
Fax +45 5161 1001
www.ramboll.dk

SUB-CONSULTANT:



Waste Concern Consultants
Level- 4, House No.- 120/B, (Masjid Road) Road- 7
New DOHS Mohakhali Dhaka- 1207, Bangladesh
Tlf. + 880-2-48810-841, + 880-2-48810-842
Fax. + 880-2- 9899-486, Email- office@wasteconcern.org
www.wasteconcern.org

CLIENT :



LAO PEOPLE'S DEMOCRATIC REPUBLIC (LAO PDR)
MINISTRY OF INFORMATION, CULTURE AND TOURISM

REV.	DATE	DESCRIPTION	DRN
R01	20.07.2020	PRELIMINARY ISSUE	

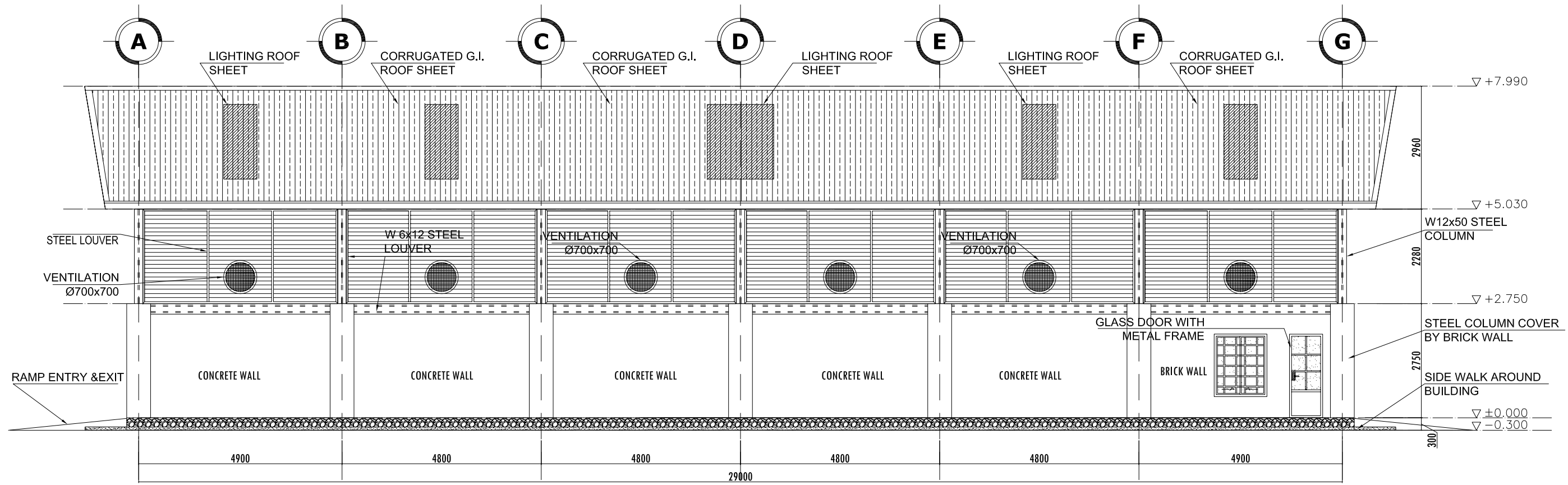
DESIGNED/DRAWN: /
CHECKED: /
APPROVED: *[Signature]*
MRITYUNJOY

NAME OF PROJECT:
2ND GMS -TOURISM INFRASTRUCTURE FOR INCLUSIVE GROWTH
WORKS PACKAGE -TIIGP2-LAO-W04
Subproject V5: Vang Vieng Solid Waste Management Improvements

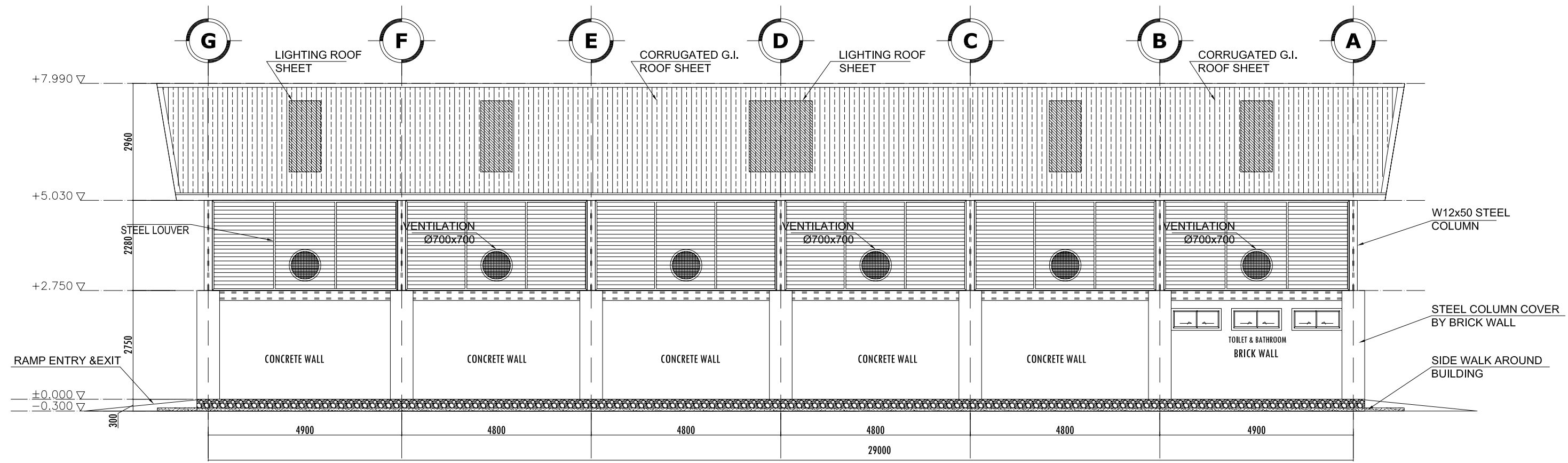
TITLE:
MRF - CROSS FACADES

DRAWING NO.: RAM-LAO-DED-W04-A-01-3


SHEET NO.: 00 OF 00
SHEET SIZE: A3
SCALE:
REV: R01
DATE: JULY 2020



FRONT VIEW




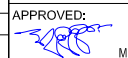
BACK VIEW

LEAD CONSULTANT :

 Hannemanns Alle 53
 DK-2300 København S
 Tlf. +45 5161 1000
 Fax +45 5161 1001
 www.ramboll.dk

SUB-CONSULTANT:

Waste Concern Consultants
 Level- 4, House No.- 120/B, (Masjid Road) Road- 7
 New DOHS Mohakhali Dhaka- 1207, Bangladesh
 Tlf. + 880-2-48810-841, + 880-2-48810-842
 Fax. + 880-2- 9899-486, Email- office@wasteconcern.org
 www.wasteconcern.org

CLIENT :

LAO PEOPLE'S DEMOCRATIC REPUBLIC (LAO PDR)
MINISTRY OF INFORMATION, CULTURE AND TOURISM

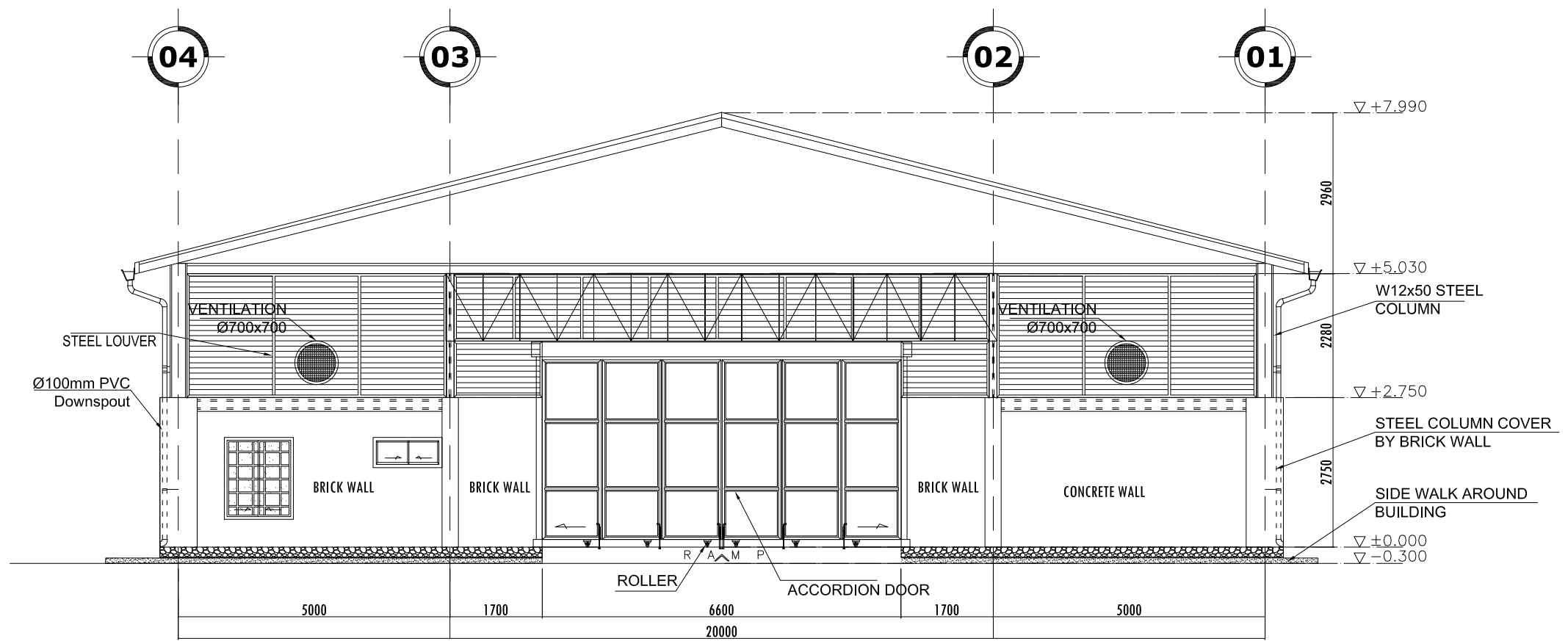
DESIGNED/DRAWN:	
CHECKED:	
APPROVED:	
REV.	DATE
R01	20.07.2020
	PRELIMINARY ISSUE
	DESCRIPTION
	DRN
	MRITYUNJOY

NAME OF PROJECT:
2ND GMS -TOURISM INFRASTRUCTURE FOR INCLUSIVE GROWTH
WORKS PACKAGE -TIIGP2-LAO-W04
Subproject V5: Vang Vieng Solid Waste Management Improvements

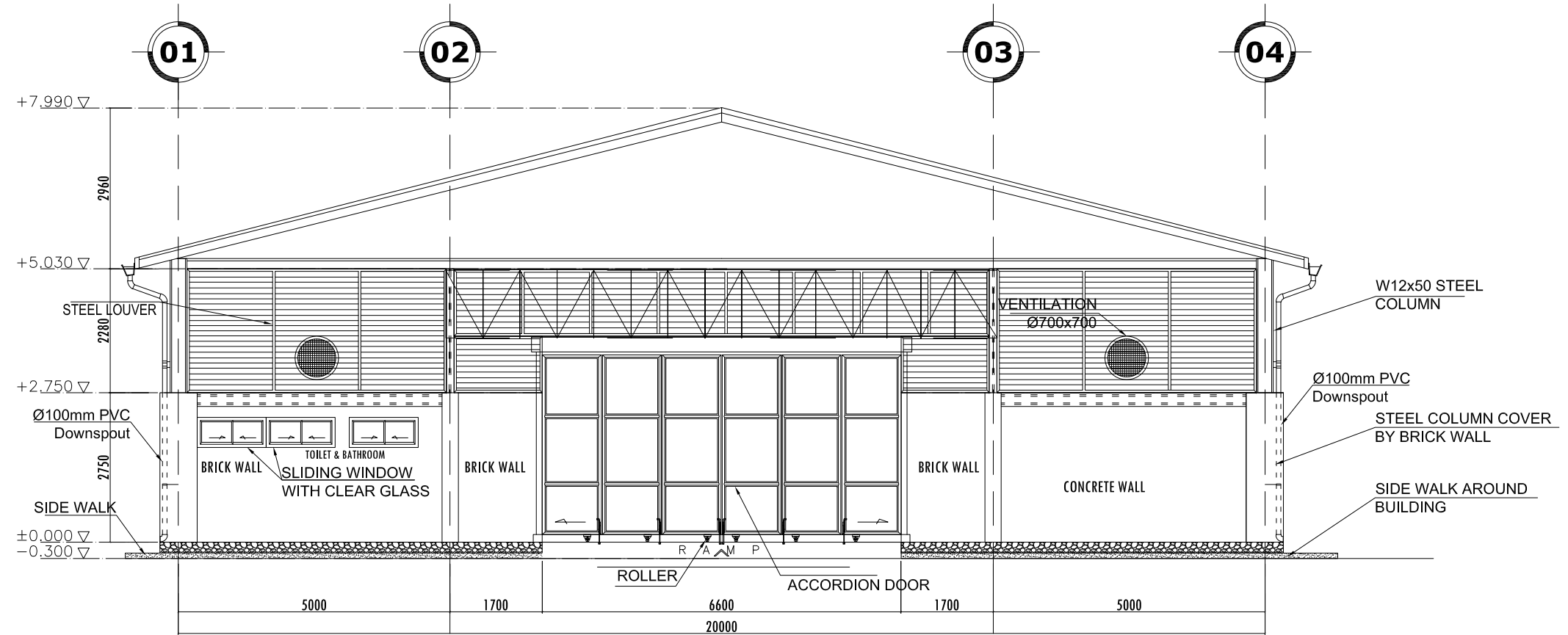
TITLE:
MRF - FACADES

DRAWING NO.: RAM-LAO-DED-W04-A-01-4

SHEET NO.:	SHEET SIZE:
00 OF 00	A3
SCALE:	
REV:	DATE:
R01	JULY 2020



RIGHT SIDE VIEW



LEFT SIDE VIEW

LEAD CONSULTANT :

 Hannemanns Alle 53
 DK-2300 København S
 Tlf. +45 5161 1000
 Fax +45 5161 1001
 www.ramboll.dk

SUB-CONSULTANT:

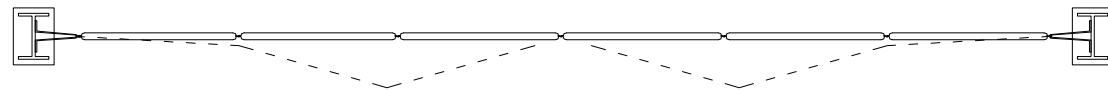
Waste Concern Consultants
 Level- 4, House No.- 120/B, (Masjid Road) Road- 7
 New DOHS Mohakhali Dhaka- 1207, Bangladesh
 Tlf. + 880-2-48810-841, + 880-2-48810-842
 Fax. + 880-2- 9899-486, Email- office@wasteconcern.org
 www.wasteconcern.org

CLIENT :

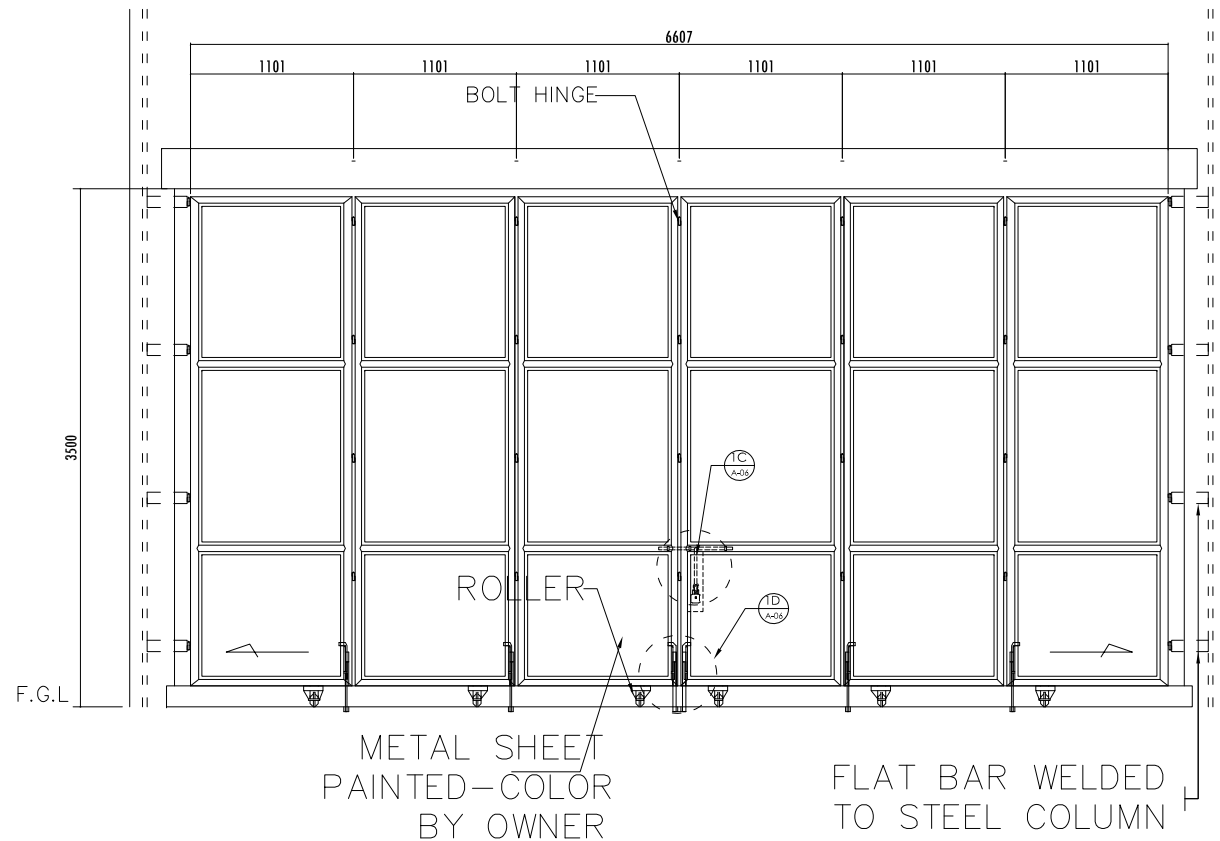
LAO PEOPLE'S DEMOCRATIC REPUBLIC (LAO PDR)
MINISTRY OF INFORMATION, CULTURE AND TOURISM

REV.	DATE	DESCRIPTION	DRN
R01	20.07.2020	PRELIMINARY ISSUE	

DESIGNED/DRAWN: /
 CHECKED: /
 APPROVED: 
 NAME OF PROJECT:
2ND GMS -TOURISM INFRASTRUCTURE FOR INCLUSIVE GROWTH
WORKS PACKAGE -TIIGP2-LAO-W04
Subproject V5: Vang Vieng Solid Waste Management Improvements
 TITLE: MRF - FACADES
 DRAWING NO.: RAM-LAO-DED-W04-A-01-5
 SHEET NO.: 00 OF 00
 SHEET SIZE: A3
 SCALE: /
 REV: R01
 DATE: JULY 2020

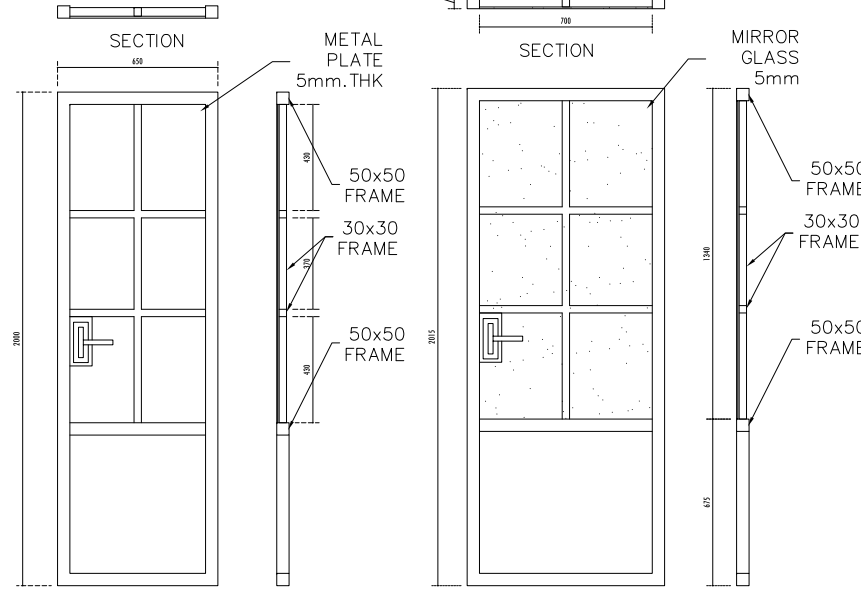


↑
ENTRANCE
AD3
A-06 PLAN
SCALE 1 : 80



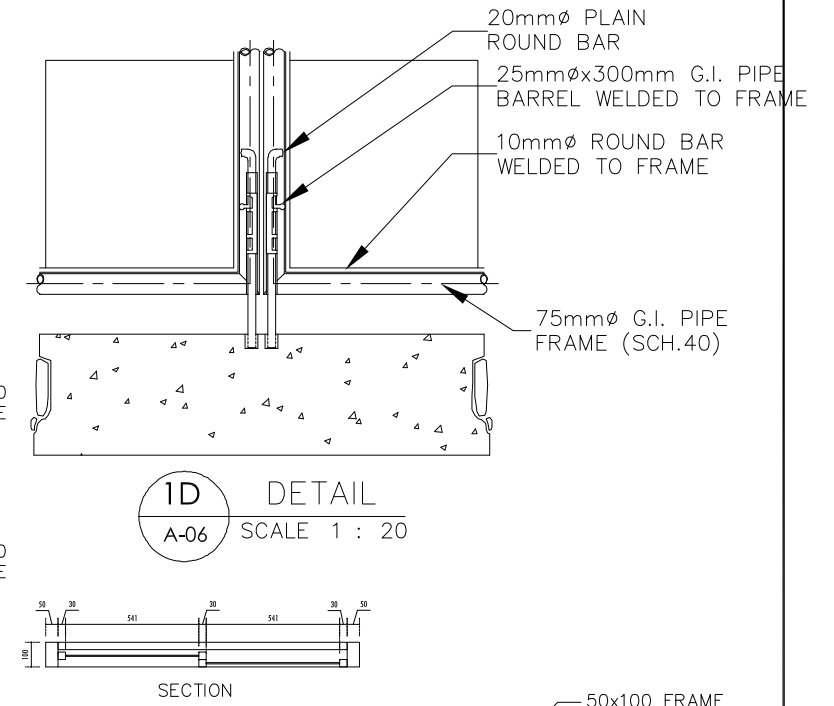
AD3
C-02 ELEVATION
SCALE 1 : 80

AD3
A-06 ACCORDION DOOR DETAIL
SCALE 1 : 50

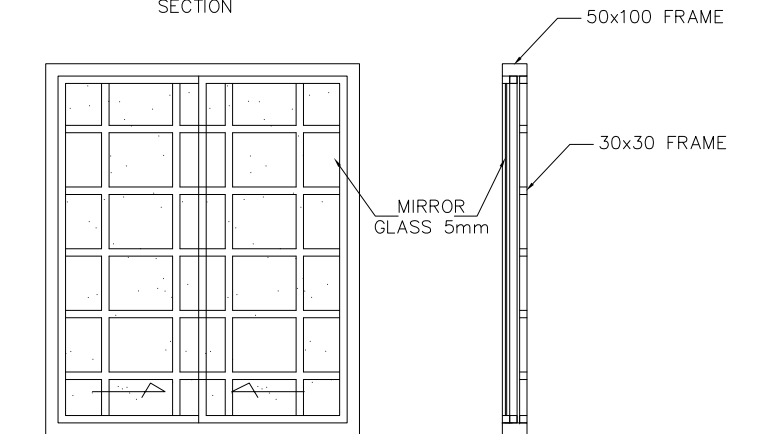


AD1
A-06 DETAIL OF DOOR
SCALE 1 : 30

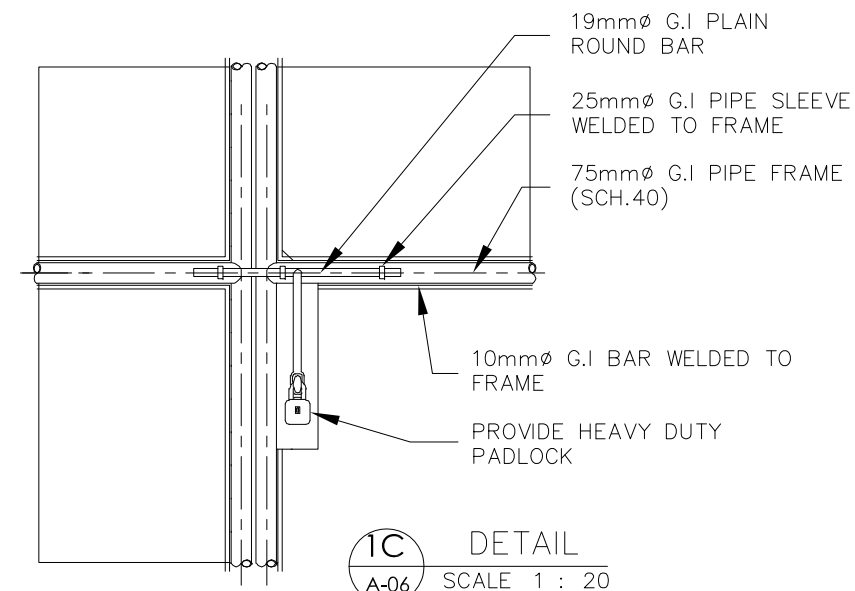
AD2
A-06 DETAIL OF DOOR
SCALE 1 : 30



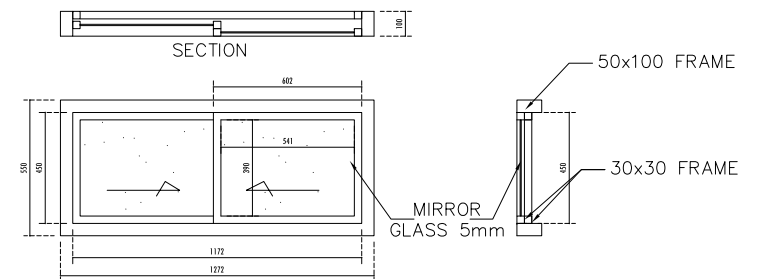
1D
A-06 DETAIL
SCALE 1 : 20



AW1
A-06 DETAIL OF WINDOW
SCALE 1 : 30



1C
A-06 DETAIL
SCALE 1 : 20



AW2
A-06 DETAIL OF WINDOW
SCALE 1 : 30

LEAD CONSULTANT :



Hannemanns Alle 53
DK-2300 København S
Tlf. +45 5161 1000
Fax +45 5161 1001
www.ramboll.dk

SUB-CONSULTANT:



Waste Concern Consultants
Level- 4, House No.- 120/B, (Masjid Road) Road- 7
New DOHS Mohakhali Dhaka- 1207, Bangladesh
Tlf. + 880-2-48810-841, + 880-2-48810-842
Fax. + 880-2- 9899-486, Email- office@wasteconcern.org
www.wasteconcern.org

CLIENT :



LAO PEOPLE'S DEMOCRATIC REPUBLIC (LAO PDR)
MINISTRY OF INFORMATION, CULTURE AND TOURISM

REV.	DATE	DESCRIPTION	DRN
R01	20.07.2020	PRELIMINARY ISSUE	

DESIGNED/DRAWN:

CHECKED:

APPROVED:

MRITYUNJOY

NAME OF PROJECT:
**2ND GMS -TOURISM INFRASTRUCTURE FOR INCLUSIVE GROWTH
WORKS PACKAGE -TIIGP2-LAO-W04**

Subproject V5: Vang Vieng Solid Waste Management Improvements

TITLE:
MRF - DOORS, WINDOWS AND GATES

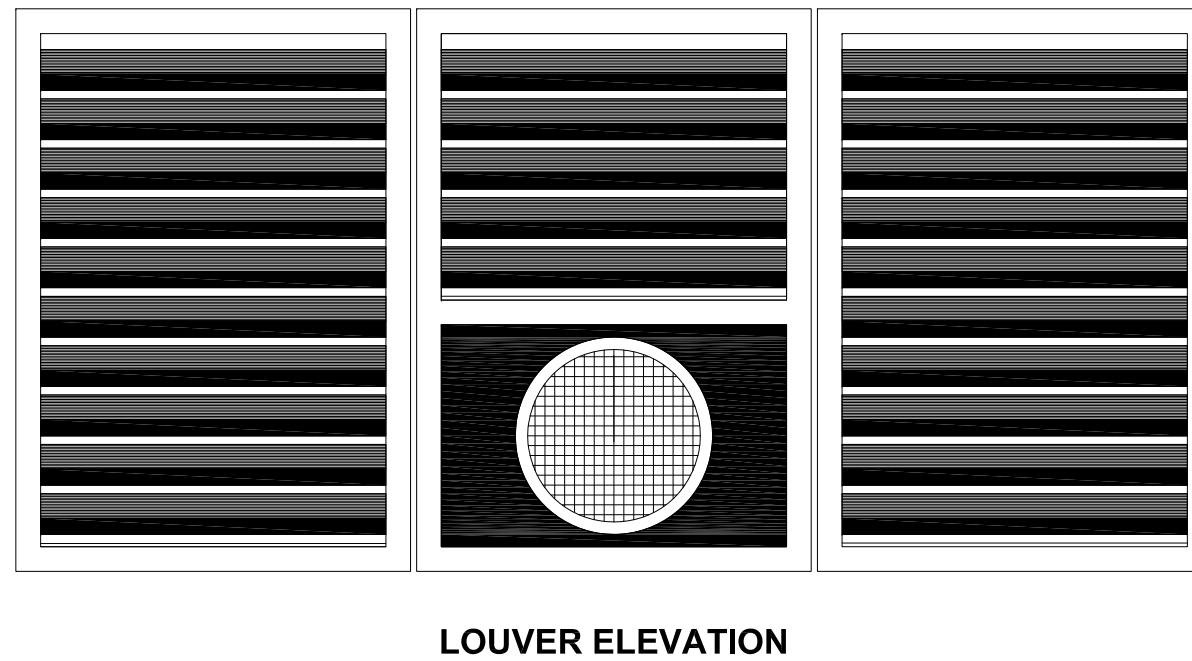
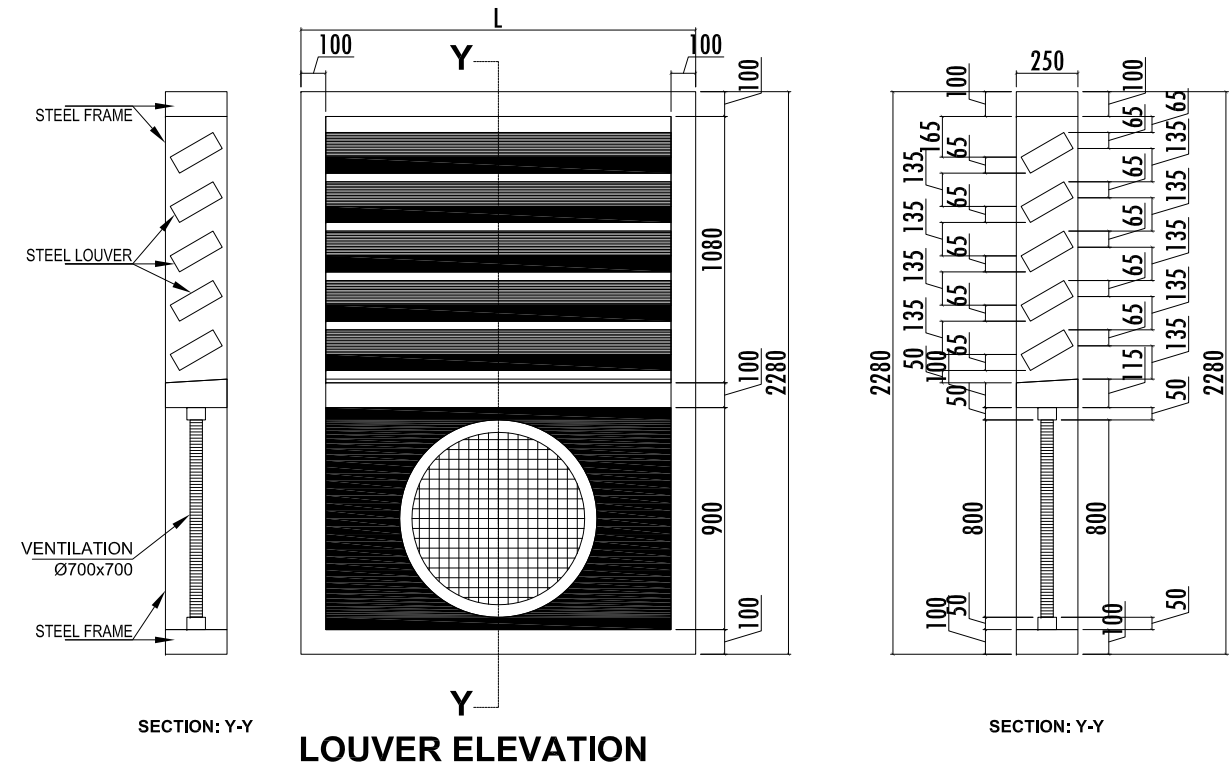
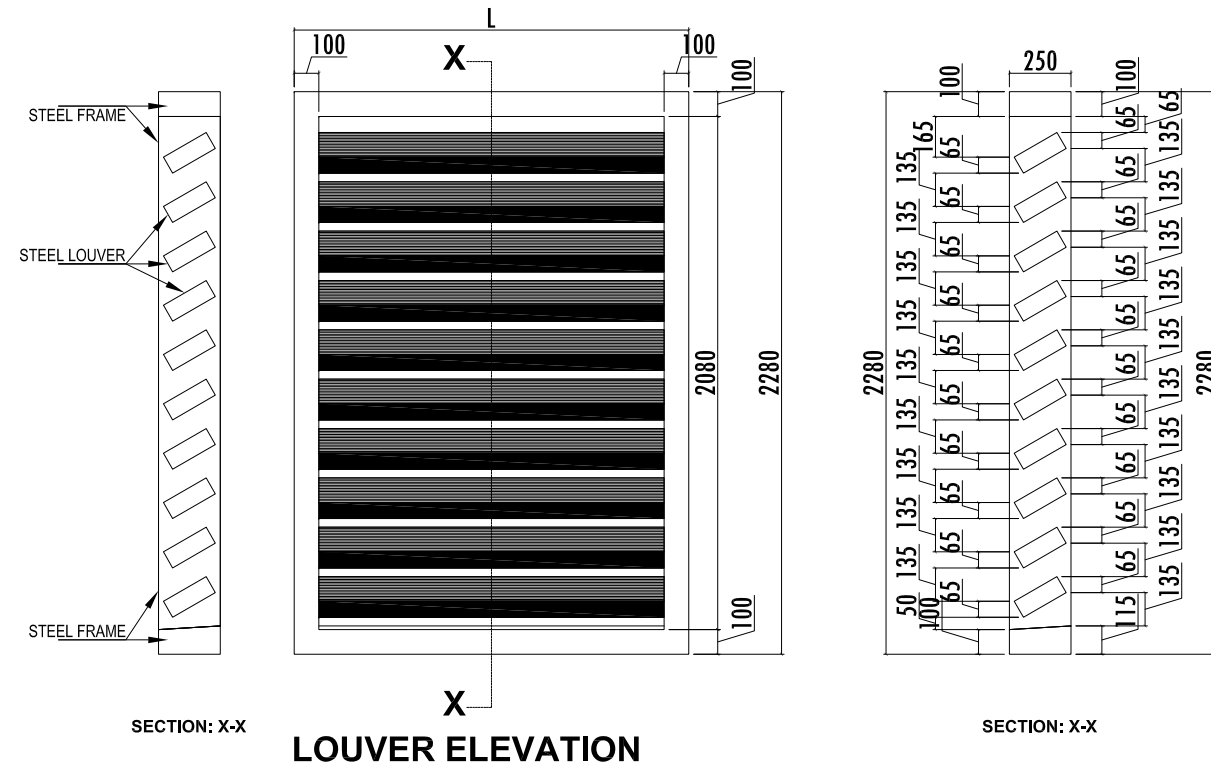
DRAWING NO.: RAM-LAO-DED-W04-A-01-6

SHEET NO.: 00 OF 00

SHEET SIZE: A3

SCALE:

REV: R01 DATE: JULY 2020



LEAD CONSULTANT :

RAMBOLL
 Hannemanns Alle 53
 DK-2300 København S
 Tlf. +45 5161 1000
 Fax +45 5161 1001
 www.ramboll.dk

SUB-CONSULTANT:

Waste Concern Consultants
 Level- 4, House No.- 120/B, (Masjid Road) Road- 7
 New DOHS Mohakhali Dhaka- 1207, Bangladesh
 Tlf. + 880-2-48810-841, + 880-2-48810-842
 Fax. + 880-2- 9899-486, Email- office@wasteconcern.org
 www.wasteconcern.org

CLIENT :

LAOS
 LAO PEOPLE'S DEMOCRATIC REPUBLIC (LAO PDR)
 MINISTRY OF INFORMATION, CULTURE AND TOURISM

REV.	DATE	DESCRIPTION	DRN
R01	20.07.2020	PRELIMINARY ISSUE	

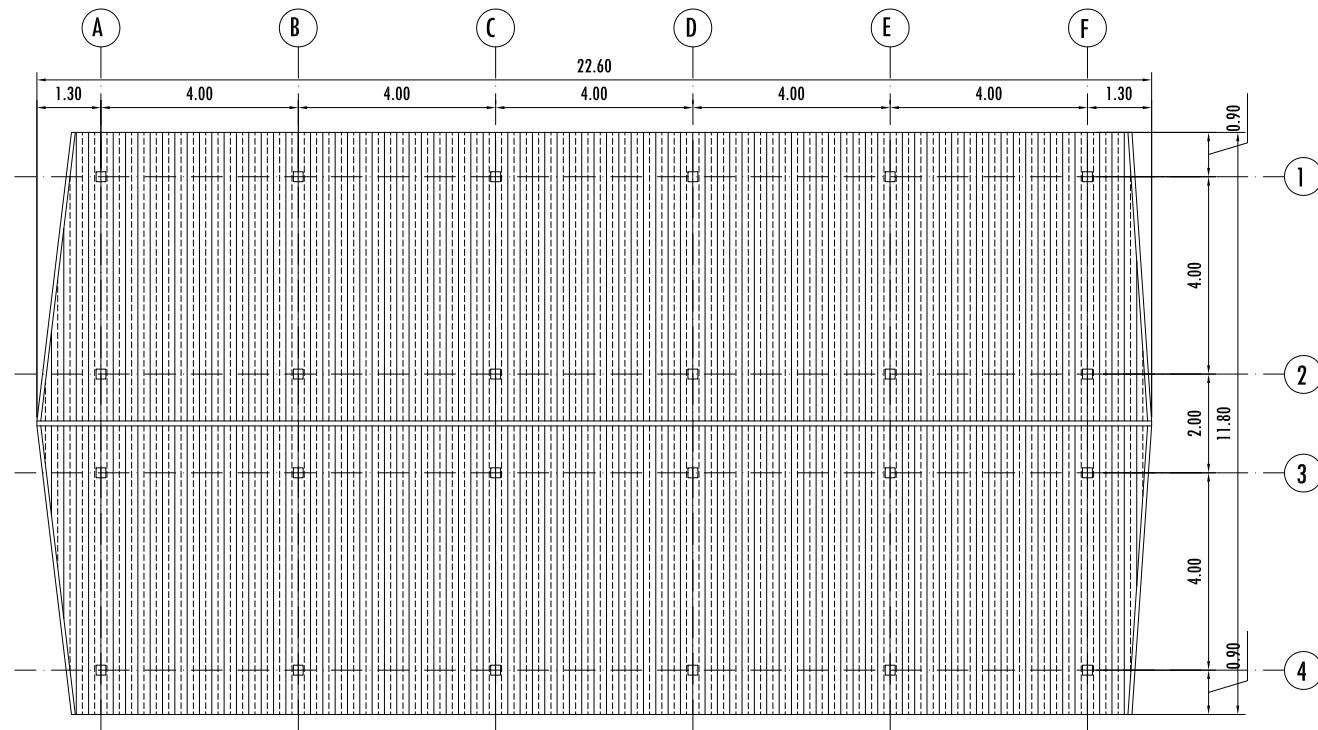
DESIGNED/DRAWN: /...
 CHECKED: /...
 APPROVED: *[Signature]*
 MRITYUNJOY

NAME OF PROJECT:
2ND GMS -TOURISM INFRASTRUCTURE FOR INCLUSIVE GROWTH
WORKS PACKAGE -TIIGP2-LAO-W04
Subproject V5: Vang Vieng Solid Waste Management Improvements

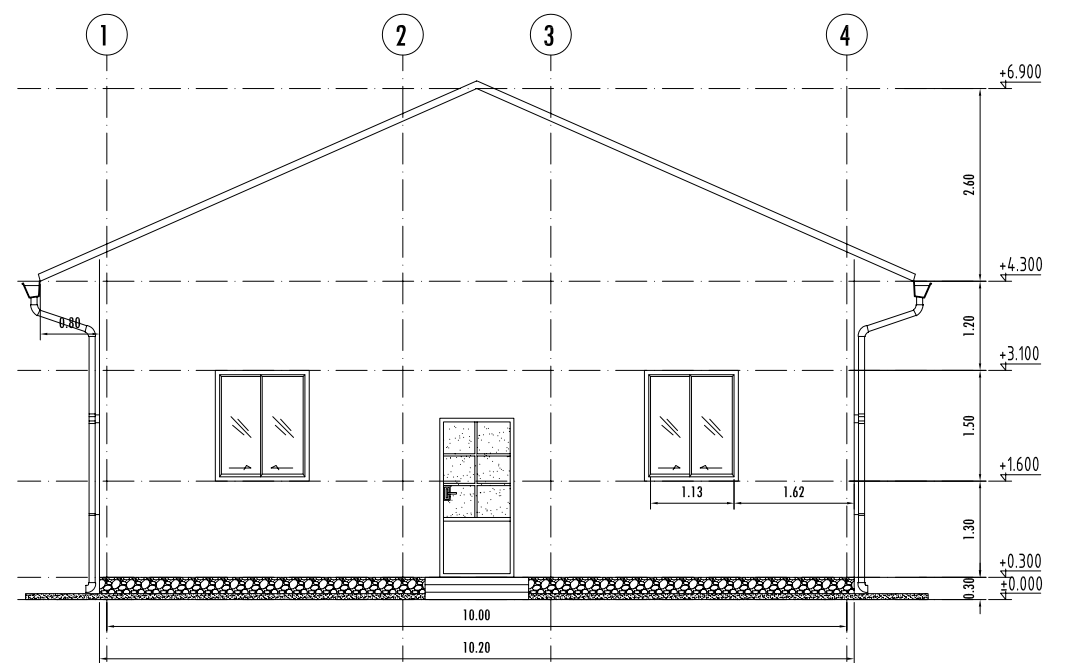
TITLE:
MRF - LOUVER SECTION AND ELEVATION DETAIL

DRAWING NO.: RAM-LAO-DED-W04-A-01-7

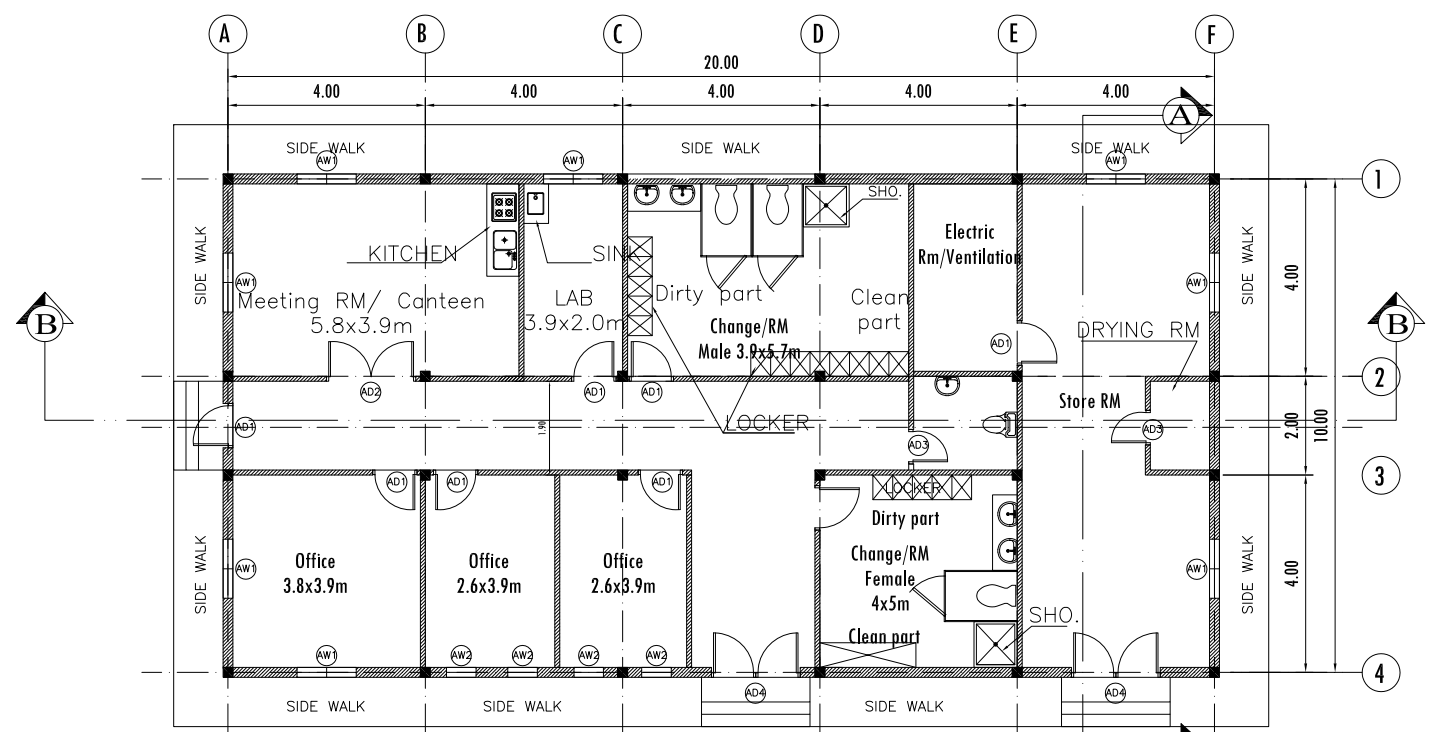
SHEET NO.: 00 OF 00
 SHEET SIZE: A3
 SCALE:
 REV: R01 DATE: JULY 2020



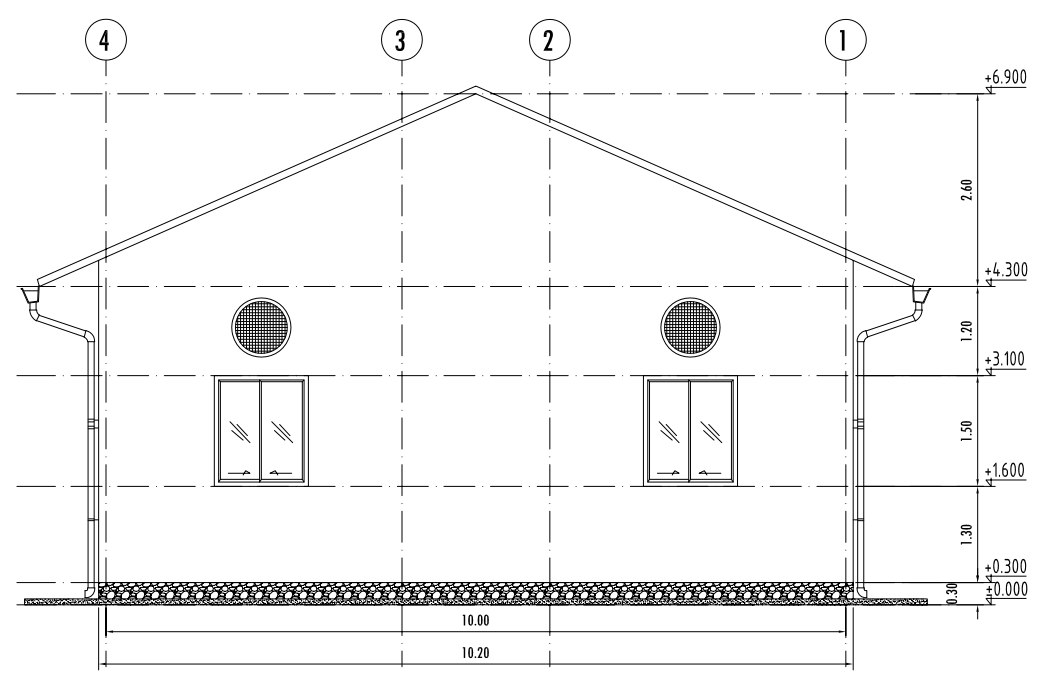
Administration Building Floor Plan
Scale- 1:100



RIGHT VIEW



Administration Building Floor Plan
Scale- 1:100



LEFT VIEW

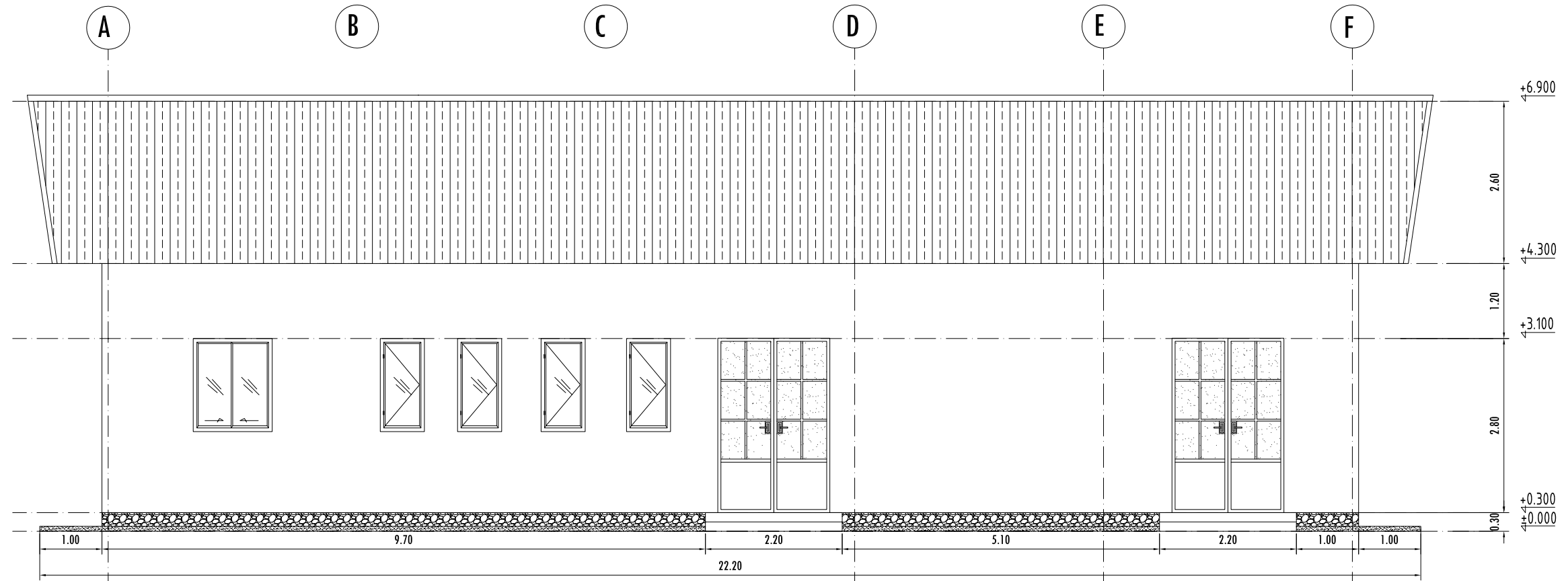
LEAD CONSULTANT :
RAMBOLL
Hannemanns Alle 53
DK-2300 København S
Tlf. +45 5161 1000
Fax +45 5161 1001
www.ramboll.dk

SUB-CONSULTANT:
Waste Concern Consultants
Level- 4, House No.- 120/B, (Masjid Road) Road-7
New DOHS Mohakhali Dhaka- 1207, Bangladesh
Tlf. + 880-2-48810-841, + 880-2-48810-842
Fax. + 880-2- 9899-486, Email- office@wasteconcern.org
www.wasteconcern.org

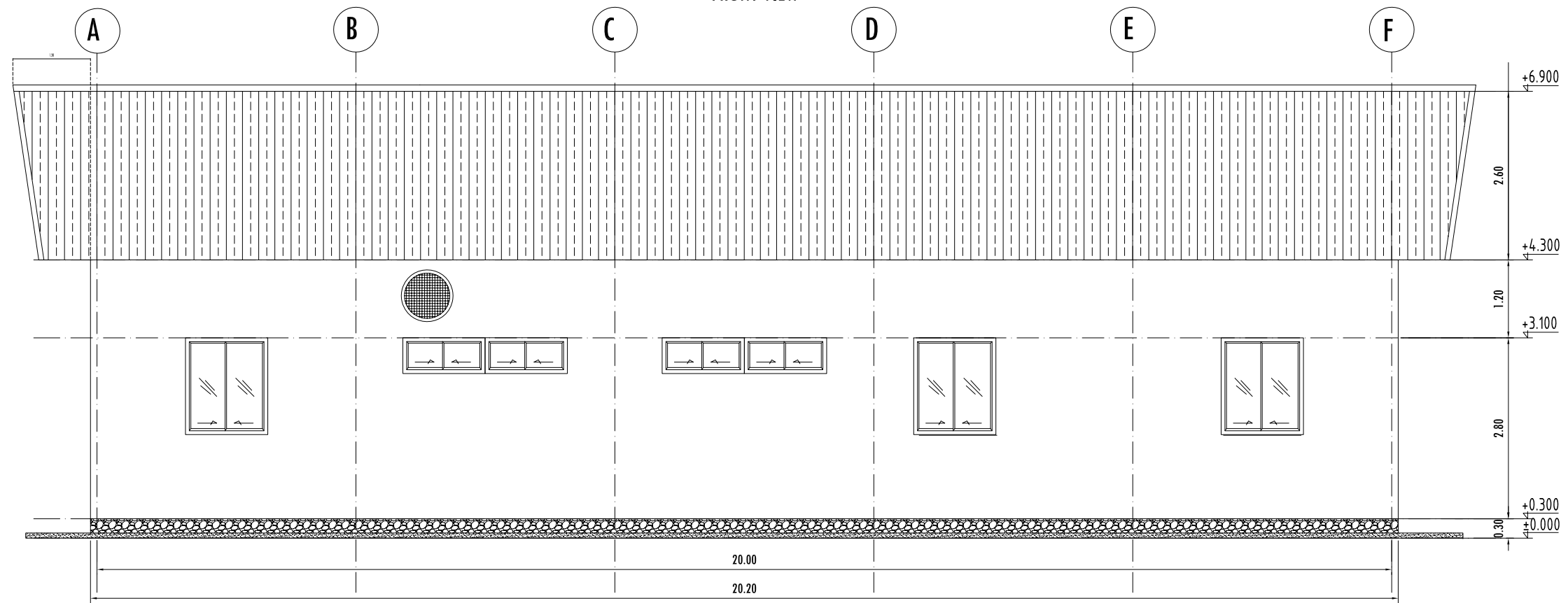
CLIENT :
LAOS
LAO PEOPLE'S DEMOCRATIC REPUBLIC (LAO PDR)
MINISTRY OF INFORMATION, CULTURE AND TOURISM

DESIGNED/DRAWN:	
CHECKED:	
APPROVED:	<i>[Signature]</i>
REV.	DATE
R01	20.07.2020
	PRELIMINARY ISSUE
	DESCRIPTION
	DRN
	MRITYUNJOY

NAME OF PROJECT:
2ND GMS -TOURISM INFRASTRUCTURE FOR INCLUSIVE GROWTH
WORKS PACKAGE -TIIGP2-LAO-W04
Subproject V5: Vang Vieng Solid Waste Management Improvements
TITLE:
ADMINISTRATION BUILDING- FLOOR PLAN, ROOF PLAN & FACADES
DRAWING NO.: RAM-LAO-DED-W04-A-02-1
SHEET NO.: 00 OF 00
SCALE: 1 : 100, 1 : 150
SHEET SIZE: A3
REV: R01
DATE: JULY 2020



FRONT VIEW



BACK VIEW

LEAD CONSULTANT :



Hannemanns Alle 53
DK-2300 København S
Tlf. +45 5161 1000
Fax +45 5161 1001
www.ramboll.dk

SUB-CONSULTANT:



Waste Concern Consultants

Level- 4, House No.- 120/B, (Masjid Road) Road- 7
New DOHS Mohakhali Dhaka- 1207, Bangladesh
Tlf. + 880-2-48810-841, + 880-2-48810-842
Fax. + 880-2- 9899-486, Email- office@wasteconcern.org
www.wasteconcern.org

CLIENT :



LAO PEOPLE'S DEMOCRATIC REPUBLIC (LAO PDR)
MINISTRY OF INFORMATION, CULTURE AND TOURISM

REV.	DATE	DESCRIPTION	DRN
R01	20.07.2020	PRELIMINARY ISSUE	

DESIGNED/DRAWN: /
CHECKED: /
APPROVED: *[Signature]*
MRITYUNJOY

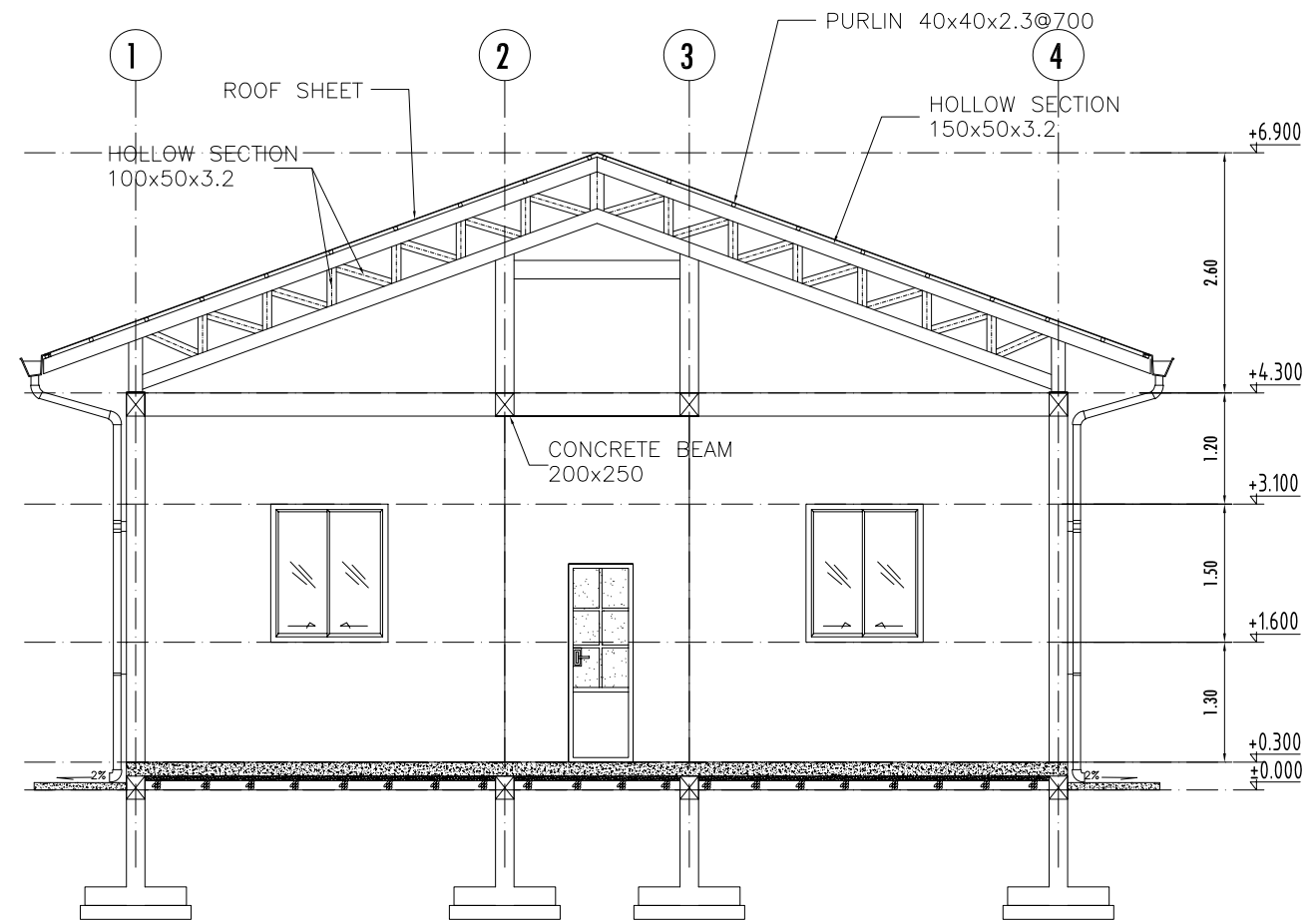
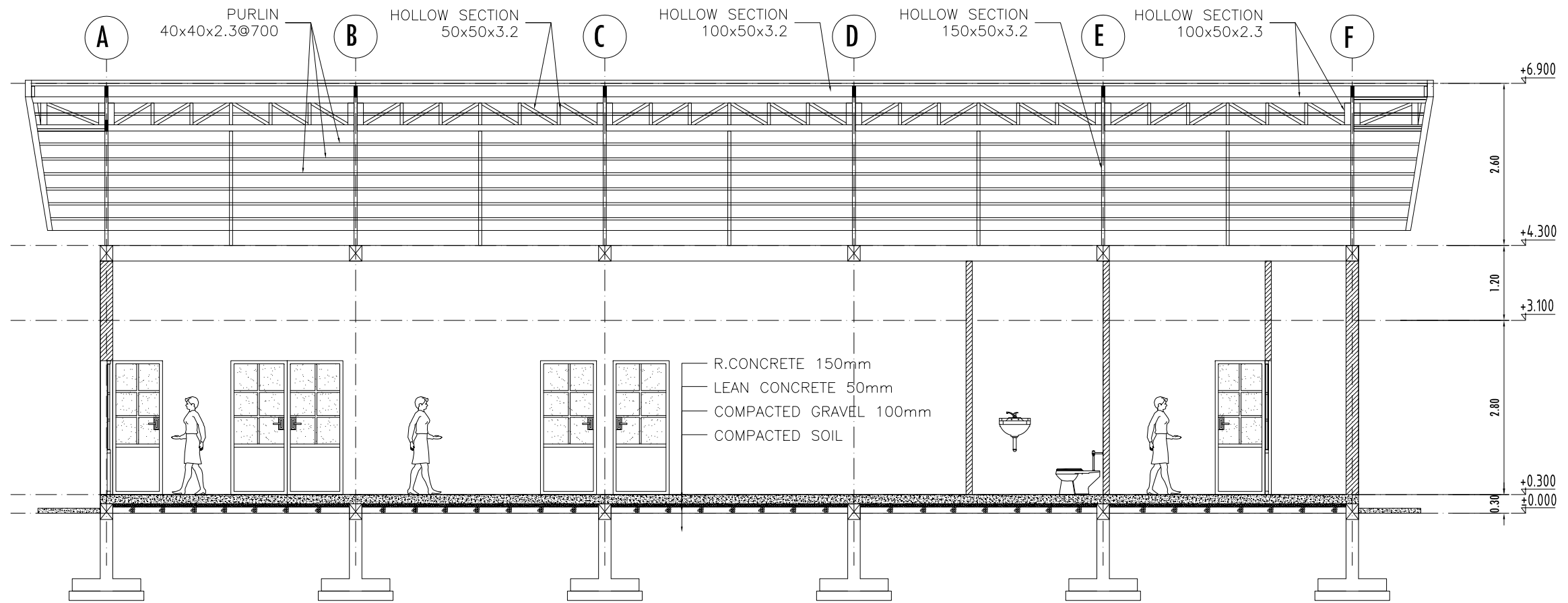
NAME OF PROJECT:
2ND GMS -TOURISM INFRASTRUCTURE FOR INCLUSIVE GROWTH
WORKS PACKAGE -TIIGP2-LAO-W04
Subproject V5: Vang Vieng Solid Waste Management Improvements

TITLE:
ADMINISTRATION BUILDING- FACADES

DRAWING NO.: RAM-LAO-DED-W04-A-02-2

SHEET NO.: 00 OF 00 SHEET SIZE: A3
SCALE: 1:80

REV: R01 DATE: JULY 2020



LEAD CONSULTANT :



Hannemanns Alle 53
DK-2300 København S
Tlf. +45 5161 1000
Fax +45 5161 1001
www.ramboll.dk

SUB-CONSULTANT:



Waste Concern Consultants
Level- 4, House No.- 120/B, (Masjid Road) Road- 7
New DOHS Mohakhali Dhaka- 1207, Bangladesh
Tlf. + 880-2-48810-841, + 880-2-48810-842
Fax. + 880-2- 9899-486, Email- office@wasteconcern.org
www.wasteconcern.org

CLIENT :



LAO PEOPLE'S DEMOCRATIC REPUBLIC (LAO PDR)
MINISTRY OF INFORMATION, CULTURE AND TOURISM

REV.	DATE	DESCRIPTION	DRN
R01	20.07.2020	PRELIMINARY ISSUE	

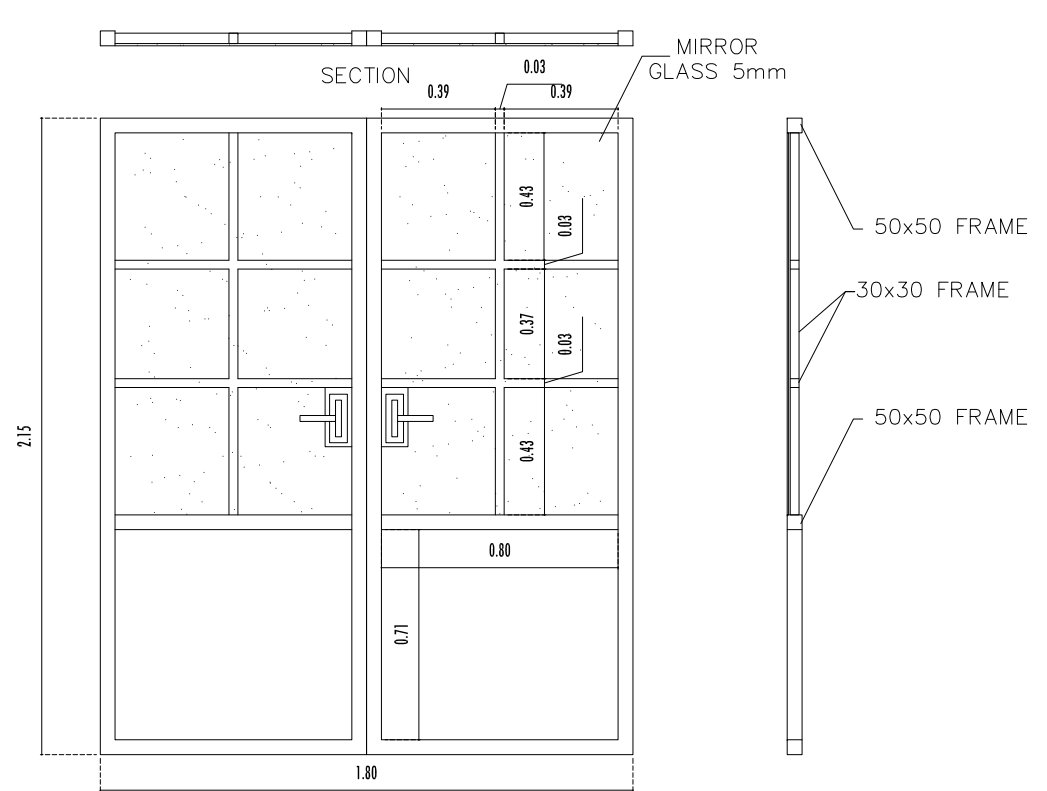
DESIGNED/DRAWN:
CHECKED:
APPROVED: *[Signature]*
MRITYUNJOY

NAME OF PROJECT:
2ND GMS -TOURISM INFRASTRUCTURE FOR INCLUSIVE GROWTH
WORKS PACKAGE -TIIGP2-LAO-W04
Subproject V5: Vang Vieng Solid Waste Management Improvements

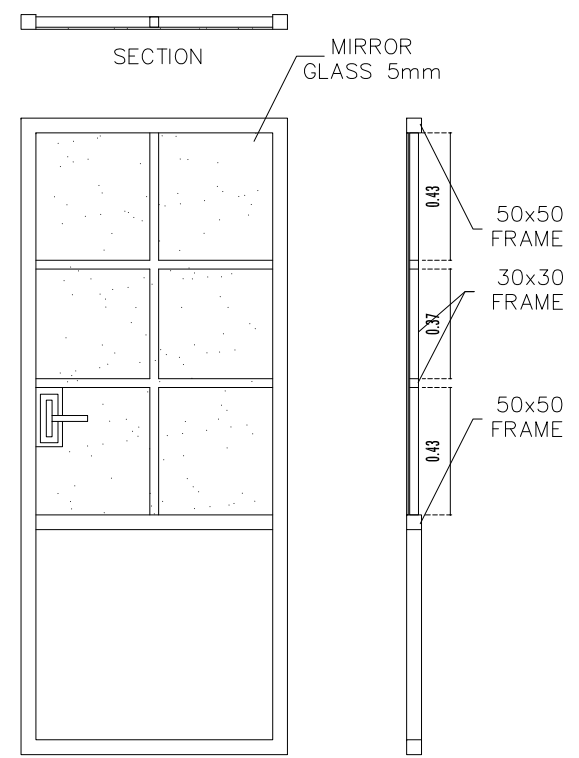
TITLE:
ADMINISTRATION BUILDING- CROSS SECTION

DRAWING NO.: RAM-LAO-DED-W04-A-02-3

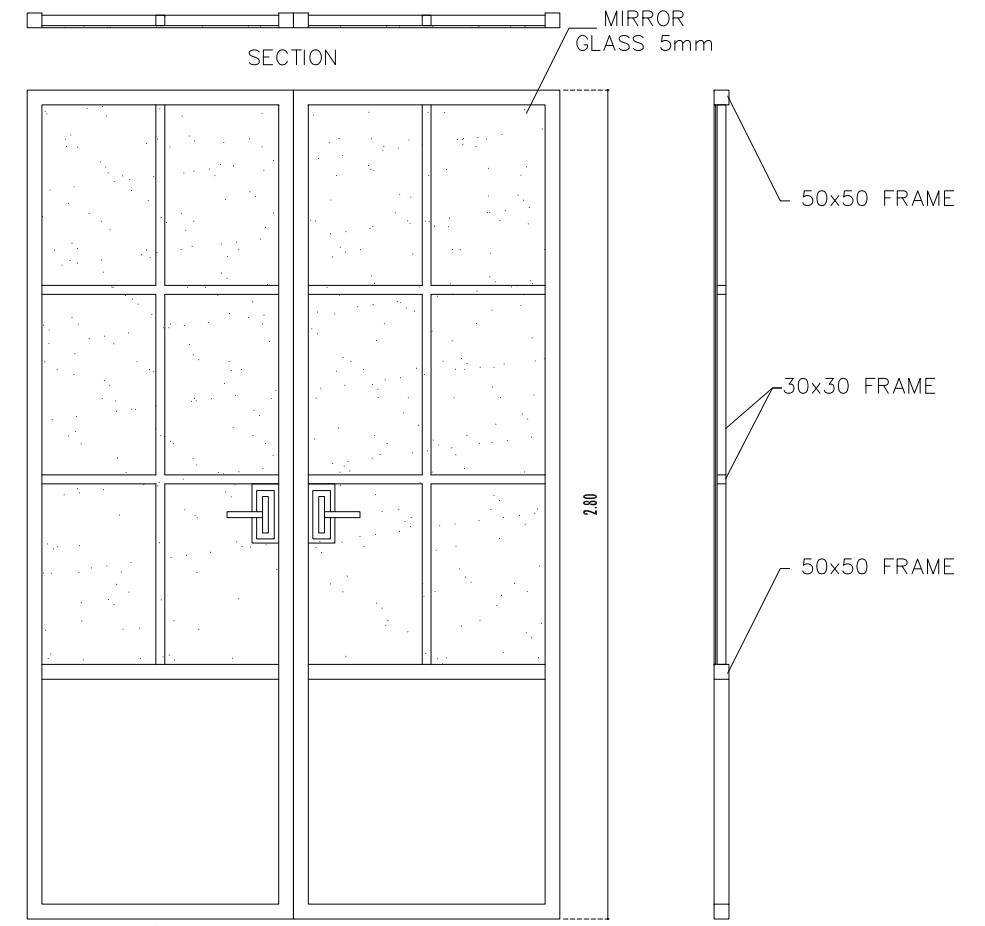
SHEET NO.: 00 OF 00 SHEET SIZE: A3
SCALE: 1:80
REV: R01 DATE: JULY 2020



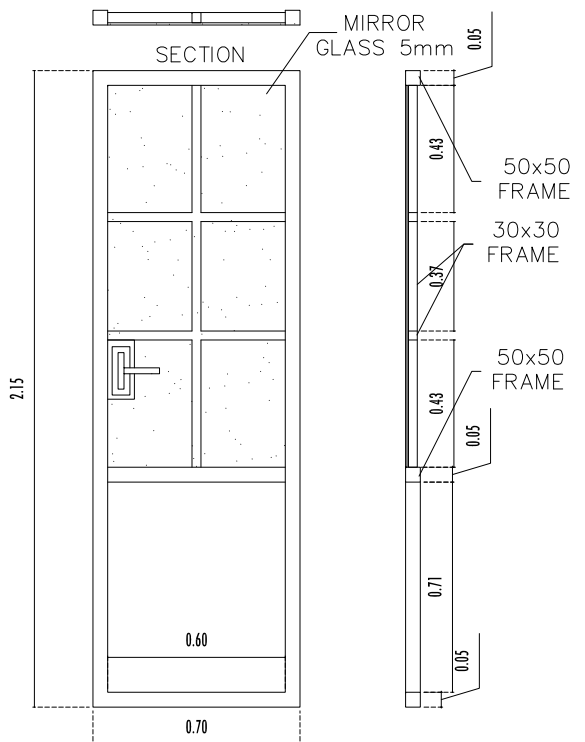
AD2
A-06
DETAIL OF DOOR
SCALE 1 : 50



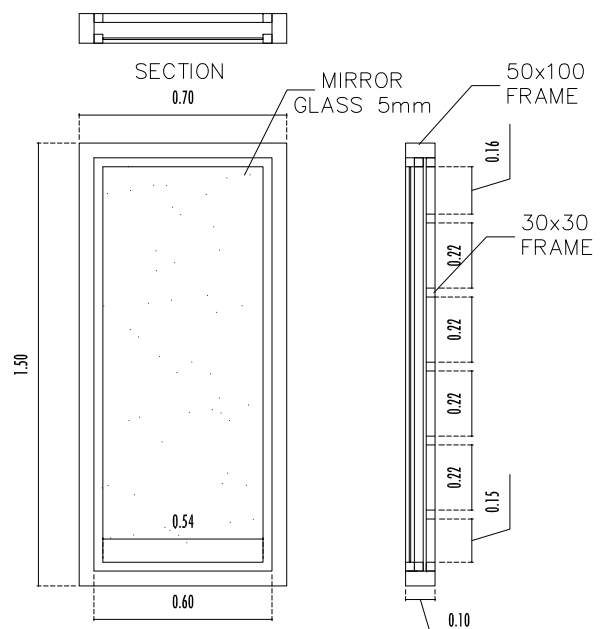
AD1
A-06
DETAIL OF DOOR
SCALE 1 : 50



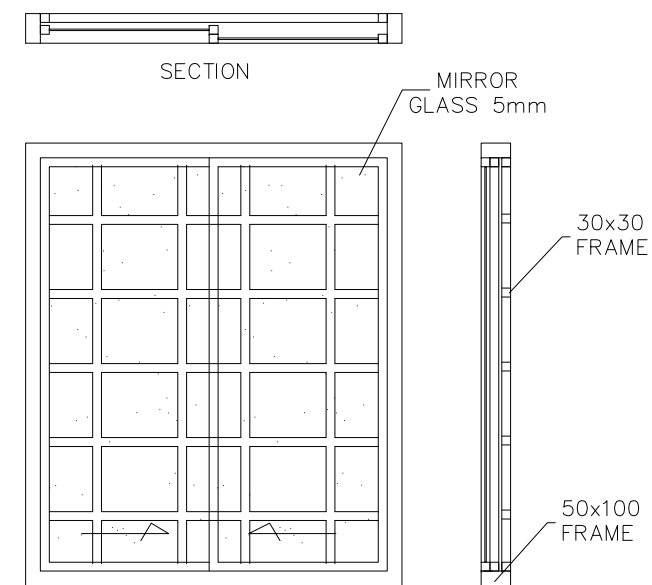
AD4
A-06
DETAIL OF DOOR
SCALE 1 : 50



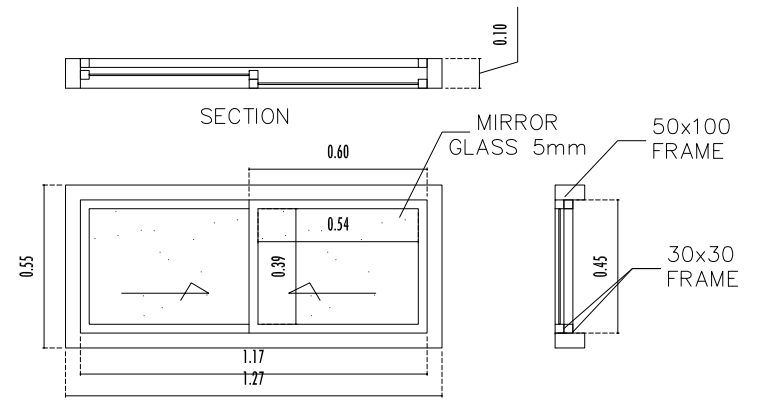
AD3
A-06
DETAIL OF DOOR
SCALE 1 : 50



AW2
A-06
DETAIL OF WINDOW
SCALE 1 : 50



AW1
A-06
DETAIL OF WINDOW
SCALE 1 : 50



AW3
A-06
DETAIL OF WINDOW
SCALE 1 : 50

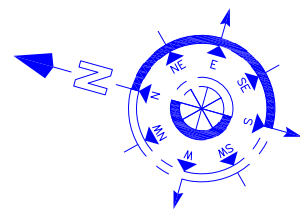
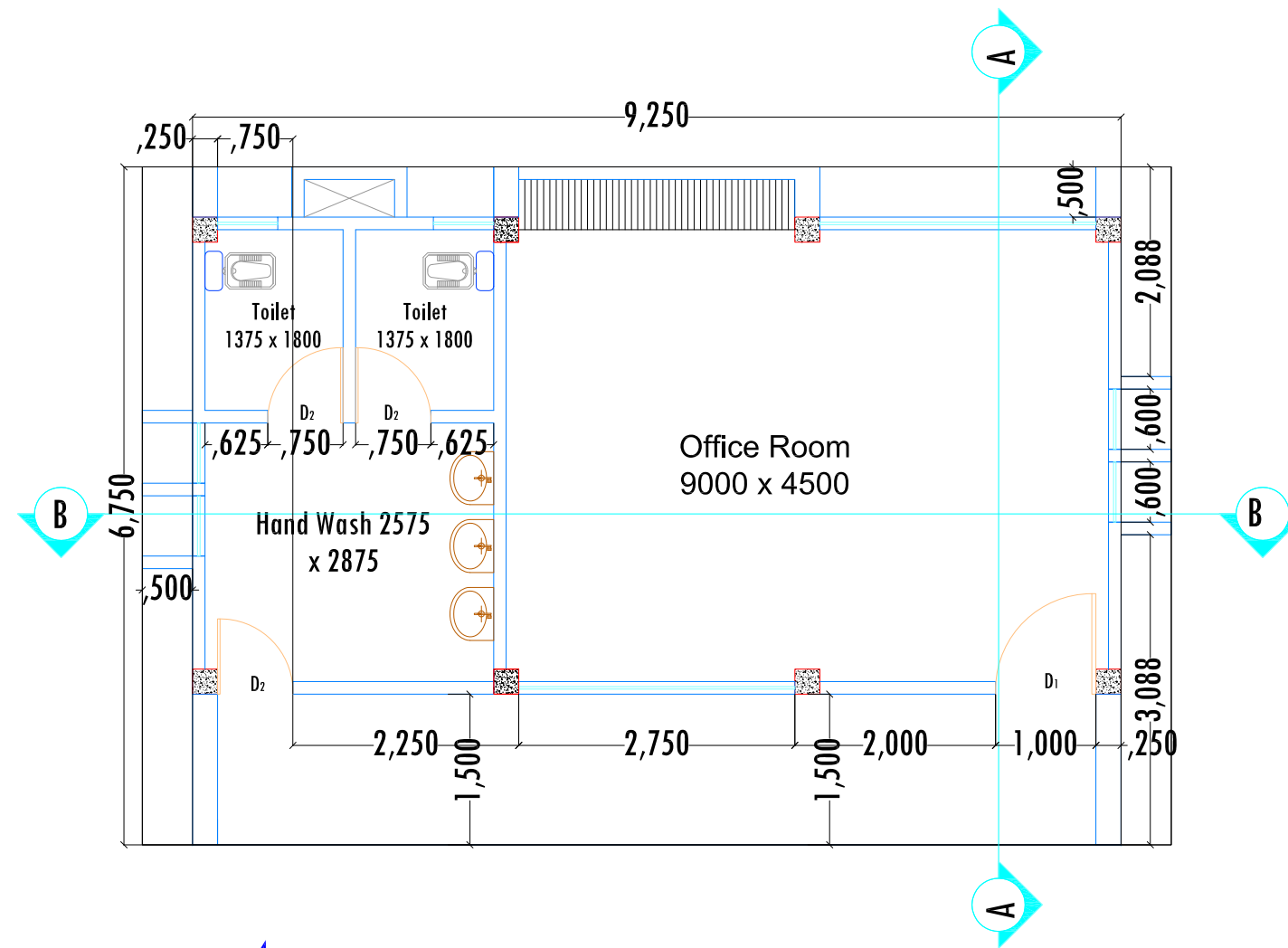
LEAD CONSULTANT :
RAMBOLL
Hannemanns Alle'53
DK-2300 København S
Tlf. +45 5161 1000
Fax +45 5161 1001
www.ramboll.dk

SUB-CONSULTANT:
Waste Concern Consultants
Level- 4, House No.- 120/B, (Masjid Road) Road- 7
New DOHS Mohakhali Dhaka- 1207, Bangladesh
Tlf. + 880-2-48810-841, + 880-2-48810-842
Fax. + 880-2- 9899-486, Email- office@wasteconcern.org
www.wasteconcern.org

CLIENT :
LAOS
LAO PEOPLE'S DEMOCRATIC REPUBLIC (LAO PDR)
MINISTRY OF INFORMATION, CULTURE AND TOURISM

REV.	DATE	DESCRIPTION	DRN
R01	20.07.2020	PRELIMINARY ISSUE	

DESIGNED/DRAWN: _____
CHECKED: _____
APPROVED: _____
NAME OF PROJECT:
2ND GMS -TOURISM INFRASTRUCTURE FOR INCLUSIVE GROWTH
WORKS PACKAGE -TIIGP2-LAO-W04
Subproject V5: Vang Vieng Solid Waste Management Improvements
TITLE:
ADMINISTRATION BUILDING- DOORS & WINDOWS DETAILS
DRAWING NO.: RAM-LAO-DED-W04-A-02-4
SHEET NO.: 00 OF 00
SHEET SIZE: A3
SCALE: 1 : 100, 1 : 150
REV: R01
DATE: JULY 2020



Plan of Office Building

Scale :- 1:150

LEAD CONSULTANT :



Hannemanns Alle 53
DK-2300 København S
Tlf. +45 5161 1000
Fax +45 5161 1001
www.ramboll.dk

SUB-CONSULTANT:



Waste Concern Consultants
Level- 4, House No.- 120/B, (Masjid Road) Road- 7
New DOHS Mohakhali Dhaka- 1207, Bangladesh
Tlf. + 880-2-48810-841, + 880-2-48810-842
Fax. + 880-2- 9899-486, Email- office@wasteconcern.org
www.wasteconcern.org

CLIENT :



LAO PEOPLE'S DEMOCRATIC REPUBLIC (LAO PDR)
MINISTRY OF INFORMATION, CULTURE AND TOURISM

REV.	DATE	DESCRIPTION	DRN
R01	20.07.2020	PRELIMINARY ISSUE	

DESIGNED/DRAWN:

CHECKED:

APPROVED:

MRITYUNJOY

NAME OF PROJECT:

2ND GMS -TOURISM INFRASTRUCTURE FOR INCLUSIVE GROWTH

WORKS PACKAGE -TIIGP2-LAO-W04

Subproject V5: Vang Vieng Solid Waste Management Improvements

TITLE: OFFICE BUILDING- FLOOR PLAN

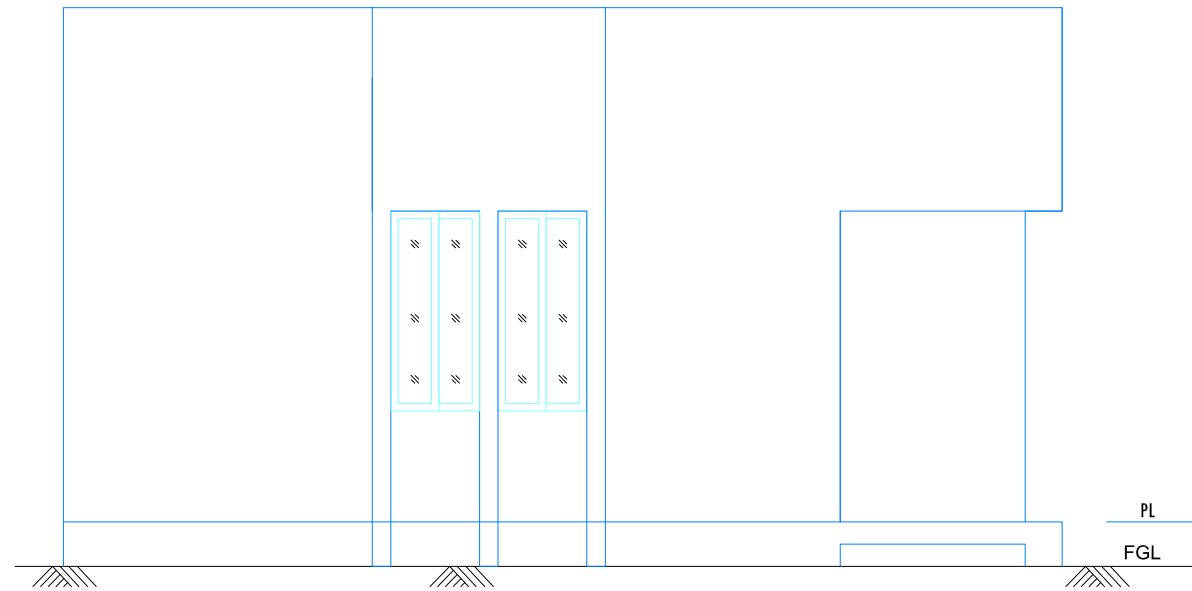
DRAWING NO.: RAM-LAO-DED-W04-A-03-1

REV: R01 DATE: JULY 2020

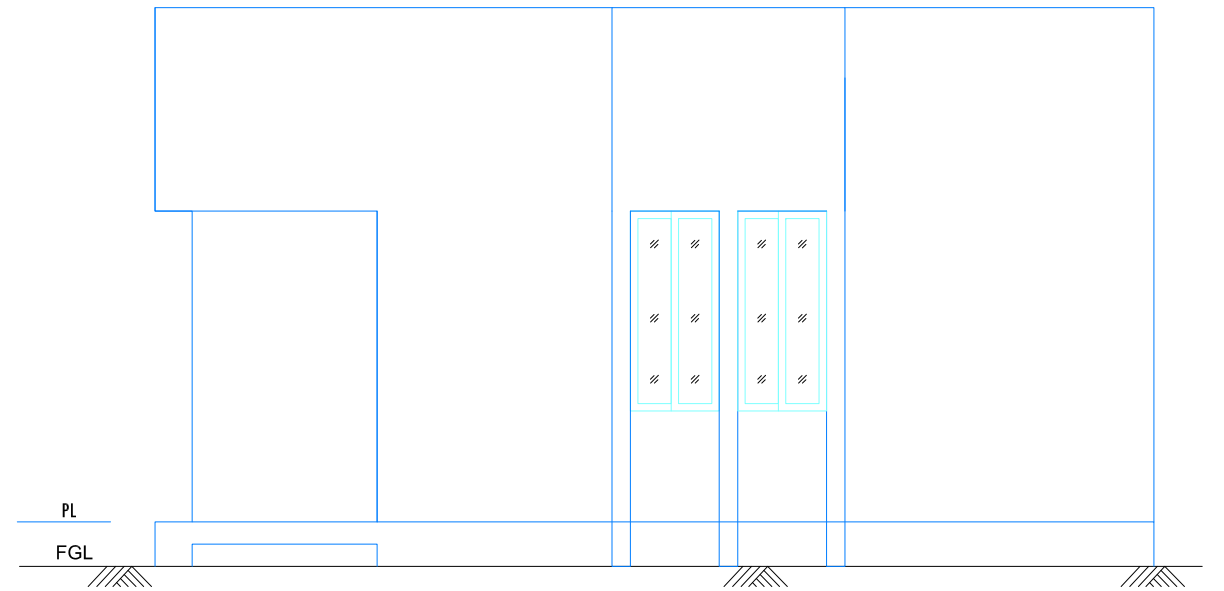
SHEET NO.: 00 OF 00

SHEET SIZE: A3

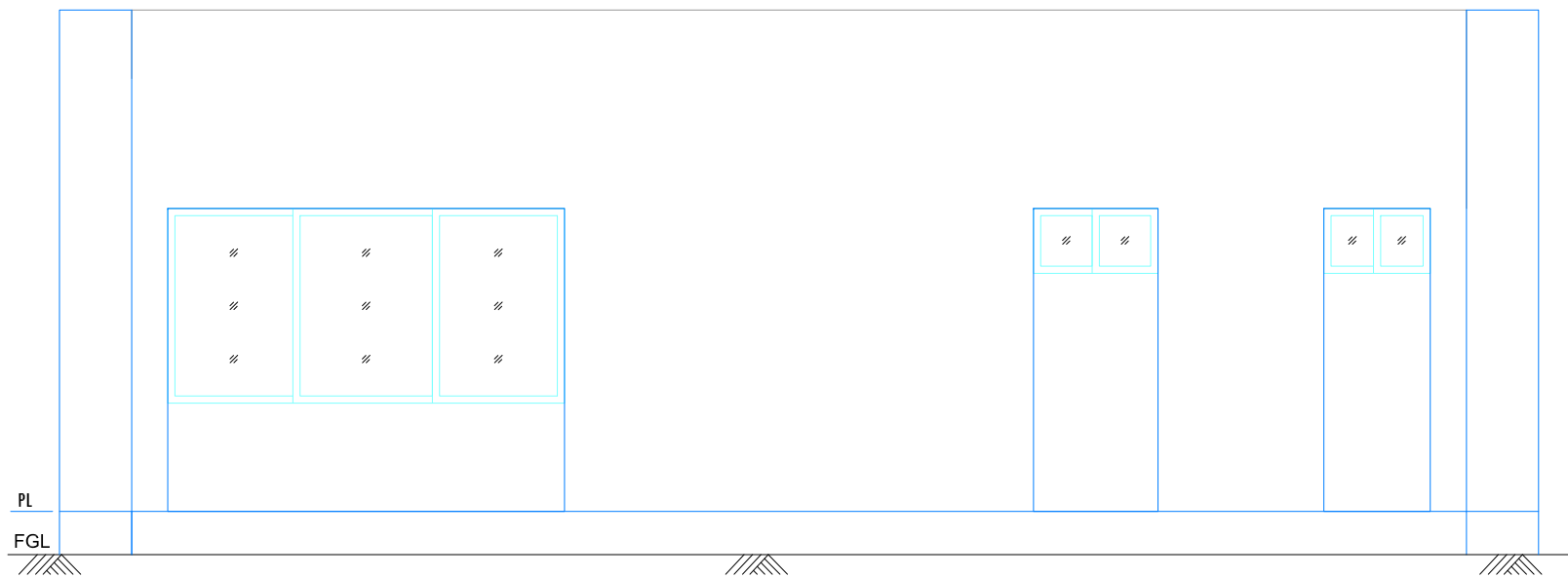
SCALE:



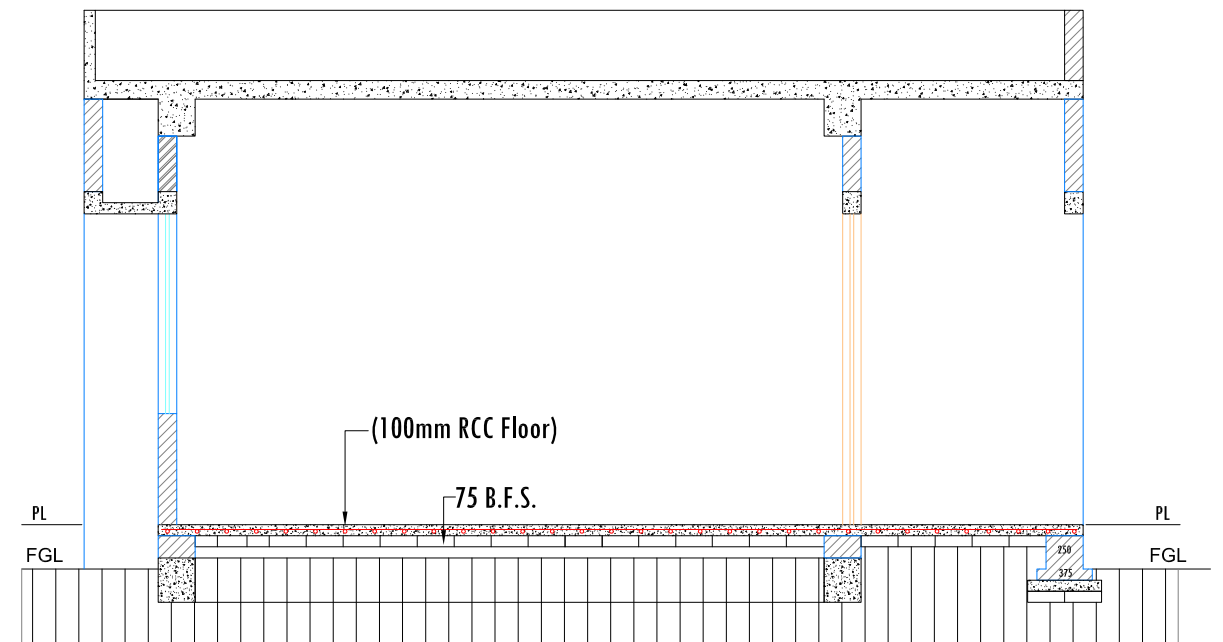
North Elevation
Scale :- 1:50



South Elevation
Scale :- 1:50



East Elevation
Scale :- 1:50



Section A-A
Scale :- 1:50

LEAD CONSULTANT :



Hannemanns Alle 53
DK-2300 København S
Tlf. +45 5161 1000
Fax +45 5161 1001
www.ramboll.dk

SUB-CONSULTANT:



Waste Concern Consultants
Level- 4, House No.- 120/B, (Masjid Road) Road- 7
New DOHS Mohakhali Dhaka- 1207, Bangladesh
Tlf. + 880-2-48810-841, + 880-2-48810-842
Fax. + 880-2- 9899-486, Email- office@wasteconcern.org
www.wasteconcern.org

CLIENT :



LAO PEOPLE'S DEMOCRATIC REPUBLIC (LAO PDR)
MINISTRY OF INFORMATION, CULTURE AND TOURISM

REV.	DATE	DESCRIPTION	DRN
R01	20.07.2020	PRELIMINARY ISSUE	

DESIGNED/DRAWN: /
CHECKED: /
APPROVED: *[Signature]*
MRITYUNJOY

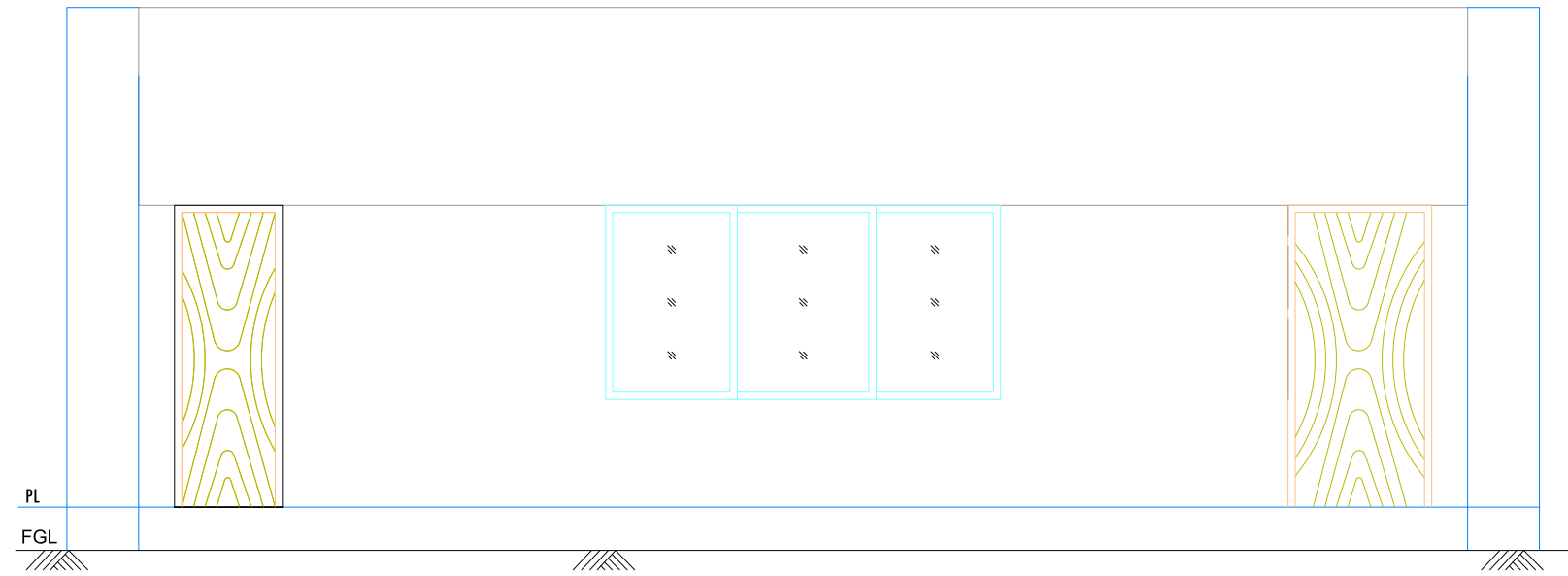
NAME OF PROJECT:
**2ND GMS –TOURISM INFRASTRUCTURE FOR INCLUSIVE GROWTH
WORKS PACKAGE -TIIGP2-LAO-W04**
Subproject V5: Vang Vieng Solid Waste Management Improvements

TITLE:
OFFICE BUILDING- SECTION & ELEVATION

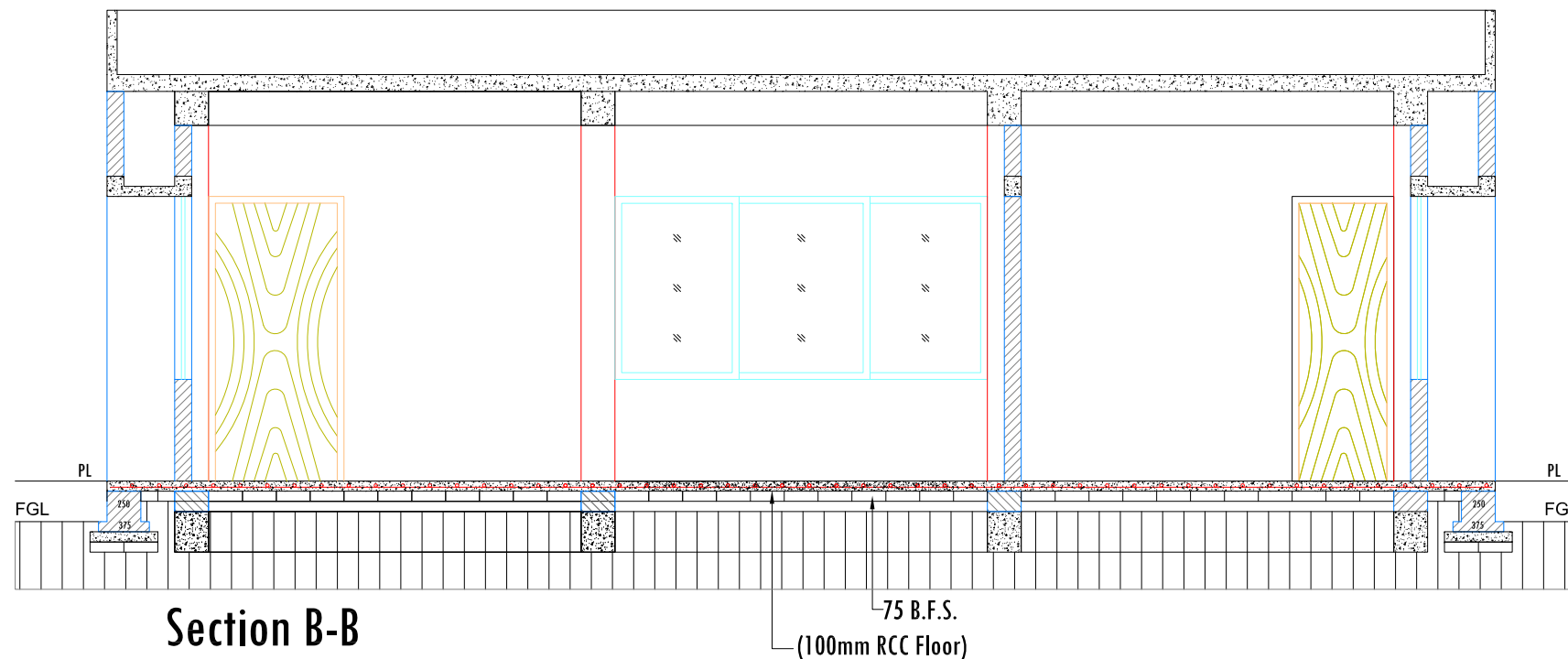
DRAWING NO.: RAM-LAO-DED-W04-A-03-2

SHEET NO.: 00 OF 00
SCALE: /
SHEET SIZE: A3

REV: R01 DATE: JULY 2020



West Elevation
Scale :- 1:50



Section B-B
Scale :- 1:50

LEAD CONSULTANT :



Hannemanns Alle 53
DK-2300 København S
Tlf. +45 5161 1000
Fax +45 5161 1001
www.ramboll.dk

SUB-CONSULTANT:



Waste Concern Consultants
Level- 4, House No.- 120/B, (Masjid Road) Road- 7
New DOHS Mohakhali Dhaka- 1207, Bangladesh
Tlf. + 880-2-48810-841, + 880-2-48810-842
Fax. + 880-2- 9899-486, Email- office@wasteconcern.org
www.wasteconcern.org

CLIENT :



LAO PEOPLE'S DEMOCRATIC REPUBLIC (LAO PDR)
MINISTRY OF INFORMATION, CULTURE AND TOURISM

REV.	DATE	DESCRIPTION	DRN
R01	20.07.2020	PRELIMINARY ISSUE	

DESIGNED/DRAWN:

CHECKED:

APPROVED:

MRITYUNJOY

NAME OF PROJECT:
2ND GMS –TOURISM INFRASTRUCTURE FOR INCLUSIVE GROWTH
WORKS PACKAGE -TIIGP2-LAO-W04

Subproject V5: Vang Vieng Solid Waste Management Improvements

TITLE:
OFFICE BUILDING- SECTION & ELEVATION

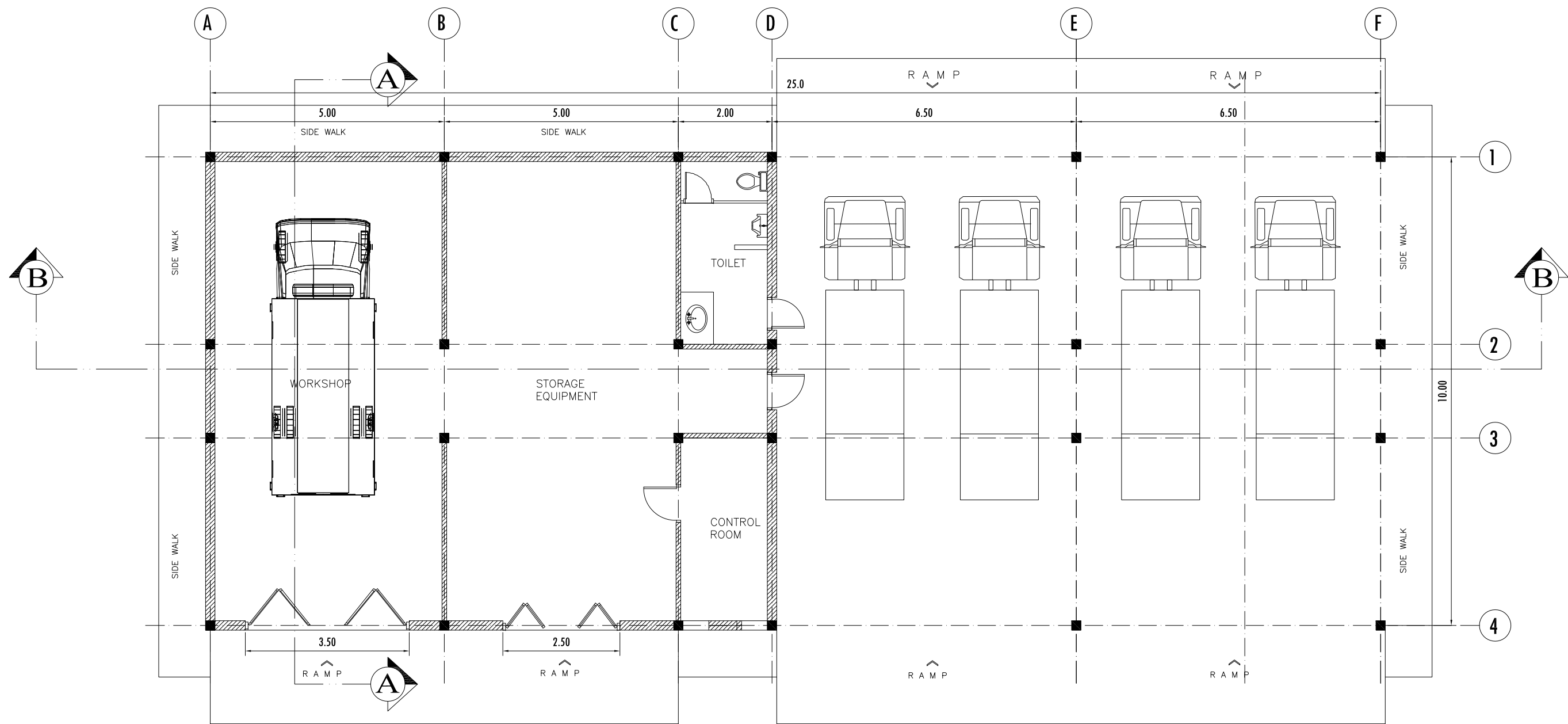
DRAWING NO.: RAM-LAO-DED-W04-A-03-3

SHEET NO.: 00 OF 00

SHEET SIZE: A3

SCALE:

REV: R01 DATE: JULY 2020



FLOOR PLAN

LEAD CONSULTANT :



Hannemanns Alle 53
DK-2300 København S
Tlf. +45 5161 1000
Fax +45 5161 1001
www.ramboll.dk

SUB-CONSULTANT:



Waste Concern Consultants
Level- 4, House No.- 120/B, (Masjid Road) Road- 7
New DOHS Mohakhali Dhaka- 1207, Bangladesh
Tlf. + 880-2-48810-841, + 880-2-48810-842
Fax. + 880-2- 9899-486, Email- office@wasteconcern.org
www.wasteconcern.org

CLIENT :

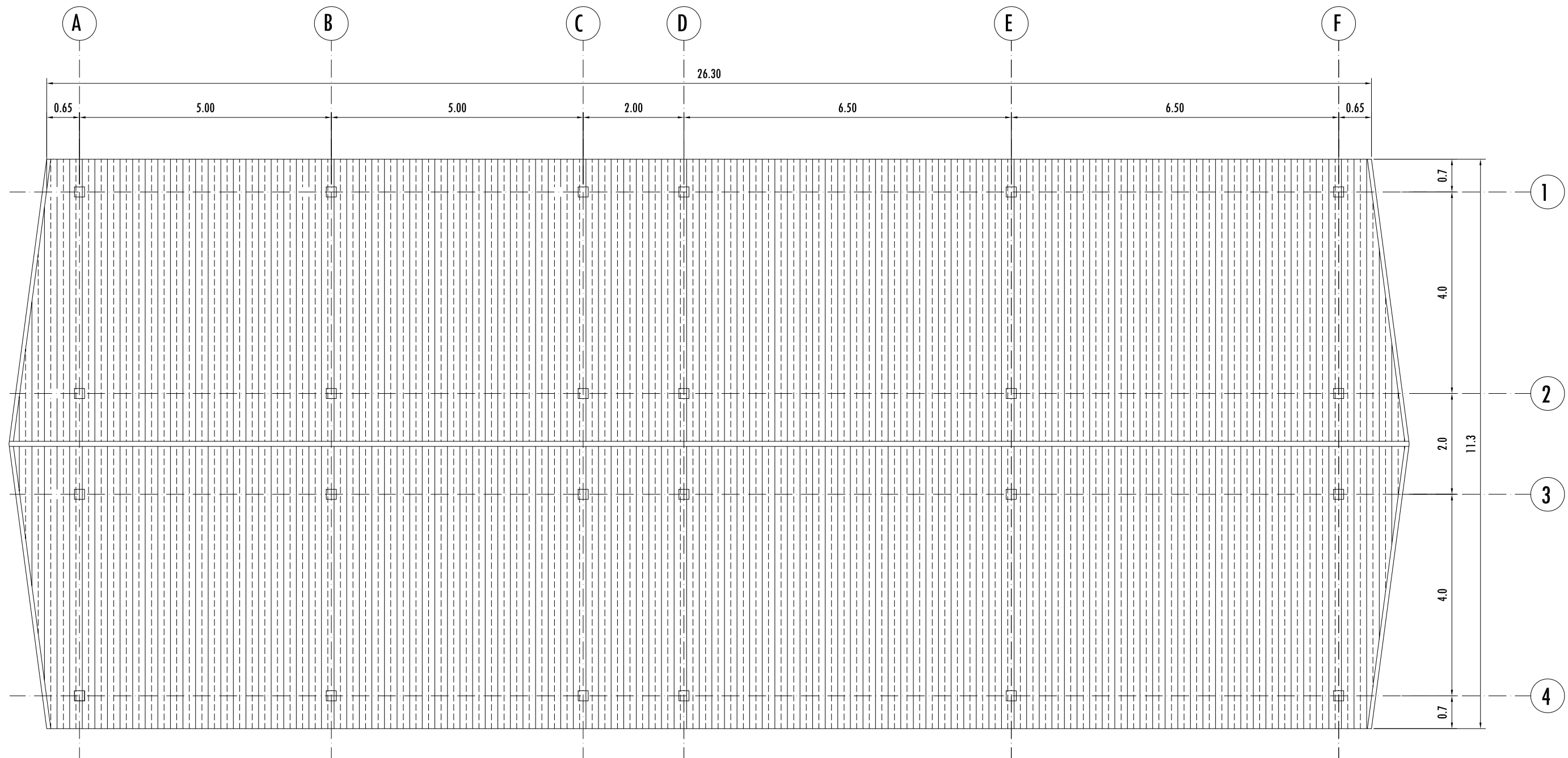


LAO PEOPLE'S DEMOCRATIC REPUBLIC (LAO PDR)
MINISTRY OF INFORMATION, CULTURE AND TOURISM

REV.	DATE	DESCRIPTION	DRN
R01	20.07.2020	PRELIMINARY ISSUE	

DESIGNED/DRAWN: _____
CHECKED: _____
APPROVED: *[Signature]*
MRITYUNJOY

NAME OF PROJECT: 2ND GMS -TOURISM INFRASTRUCTURE FOR INCLUSIVE GROWTH WORKS PACKAGE -TIIG2-LAO-W04 Subproject V5: Vang Vieng Solid Waste Management Improvements		SHEET NO.: 00 OF 00	SHEET SIZE: A3
TITLE: Floor Plan of Workshop (Service Building)		SCALE:	
DRAWING NO.: RAM-LAO-DED-W04-A-04-1		REV: R01	DATE: JULY 2020



ROOF PLAN

LEAD CONSULTANT :



Hannemanns Alle 53
DK-2300 København S
Tlf. +45 5161 1000
Fax +45 5161 1001
www.ramboll.dk

SUB-CONSULTANT:



Waste Concern Consultants
Level- 4, House No.- 120/B, (Masjid Road) Road- 7
New DOHS Mohakhali Dhaka- 1207, Bangladesh
Tlf. + 880-2-48810-841, + 880-2-48810-842
Fax. + 880-2- 9899-486, Email- office@wasteconcern.org
www.wasteconcern.org

CLIENT :



LAO PEOPLE'S DEMOCRATIC REPUBLIC (LAO PDR)
MINISTRY OF INFORMATION, CULTURE AND TOURISM

REV.	DATE	DESCRIPTION	DRN
R01	20.07.2020	PRELIMINARY ISSUE	

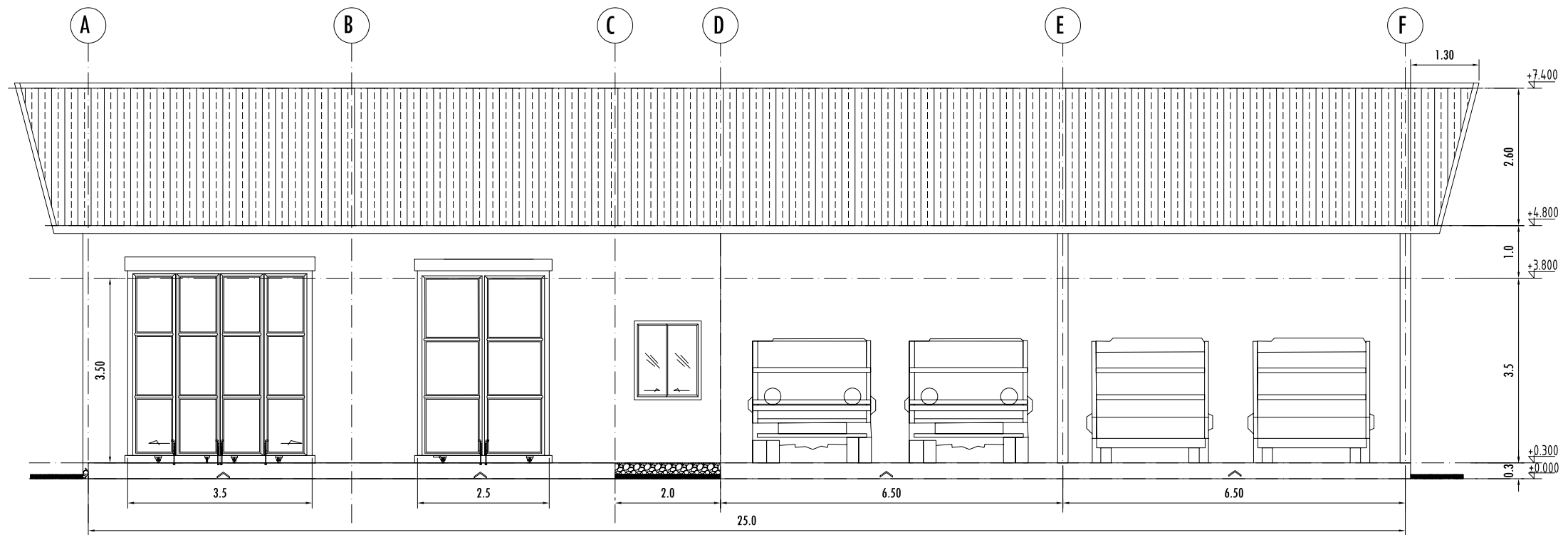
DESIGNED/DRAWN: /
CHECKED: /
APPROVED: *[Signature]*
MRITYUNJOY

NAME OF PROJECT:
2ND GMS -TOURISM INFRASTRUCTURE FOR INCLUSIVE GROWTH
WORKS PACKAGE -TIIGP2-LAO-W04
Subproject V5: Vang Vieng Solid Waste Management Improvements

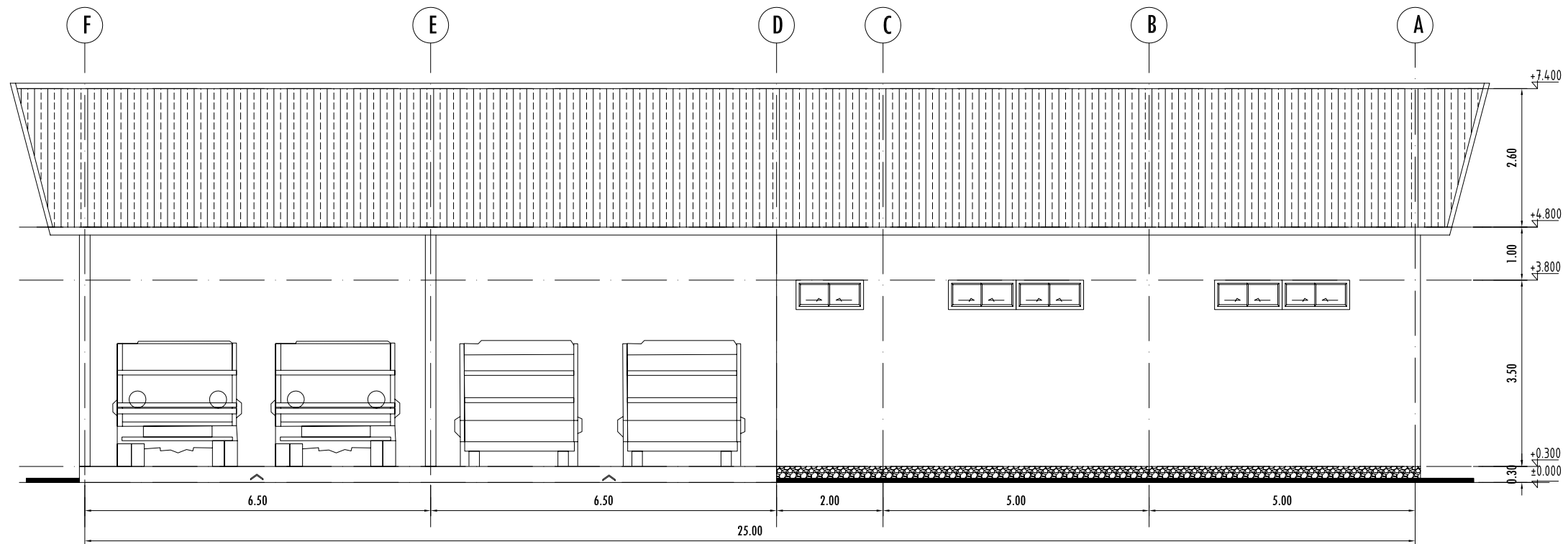
TITLE:
Roof Plan of Workshop (Service Building)

DRAWING NO.: RAM-LAO-DED-W04-A-04-2

SHEET NO.: 00 OF 00 SHEET SIZE: A3
SCALE: /
REV: R01 DATE: JULY 2020



FRONT VIEW



BACK VIEW

LEAD CONSULTANT :



Hannemanns Alle 53
DK-2300 København S
Tlf. +45 5161 1000
Fax +45 5161 1001
www.ramboll.dk

SUB-CONSULTANT:



Waste Concern Consultants

Level- 4, House No.- 120/B, (Masjid Road) Road- 7
New DOHS Mohakhali Dhaka- 1207, Bangladesh
Tlf. + 880-2-48810-841, + 880-2-48810-842
Fax. + 880-2- 9899-486, Email- office@wasteconcern.org
www.wasteconcern.org

CLIENT :



LAO PEOPLE'S DEMOCRATIC REPUBLIC (LAO PDR)
MINISTRY OF INFORMATION, CULTURE AND TOURISM

REV.	DATE	DESCRIPTION	DRN
R01	20.07.2020	PRELIMINARY ISSUE	

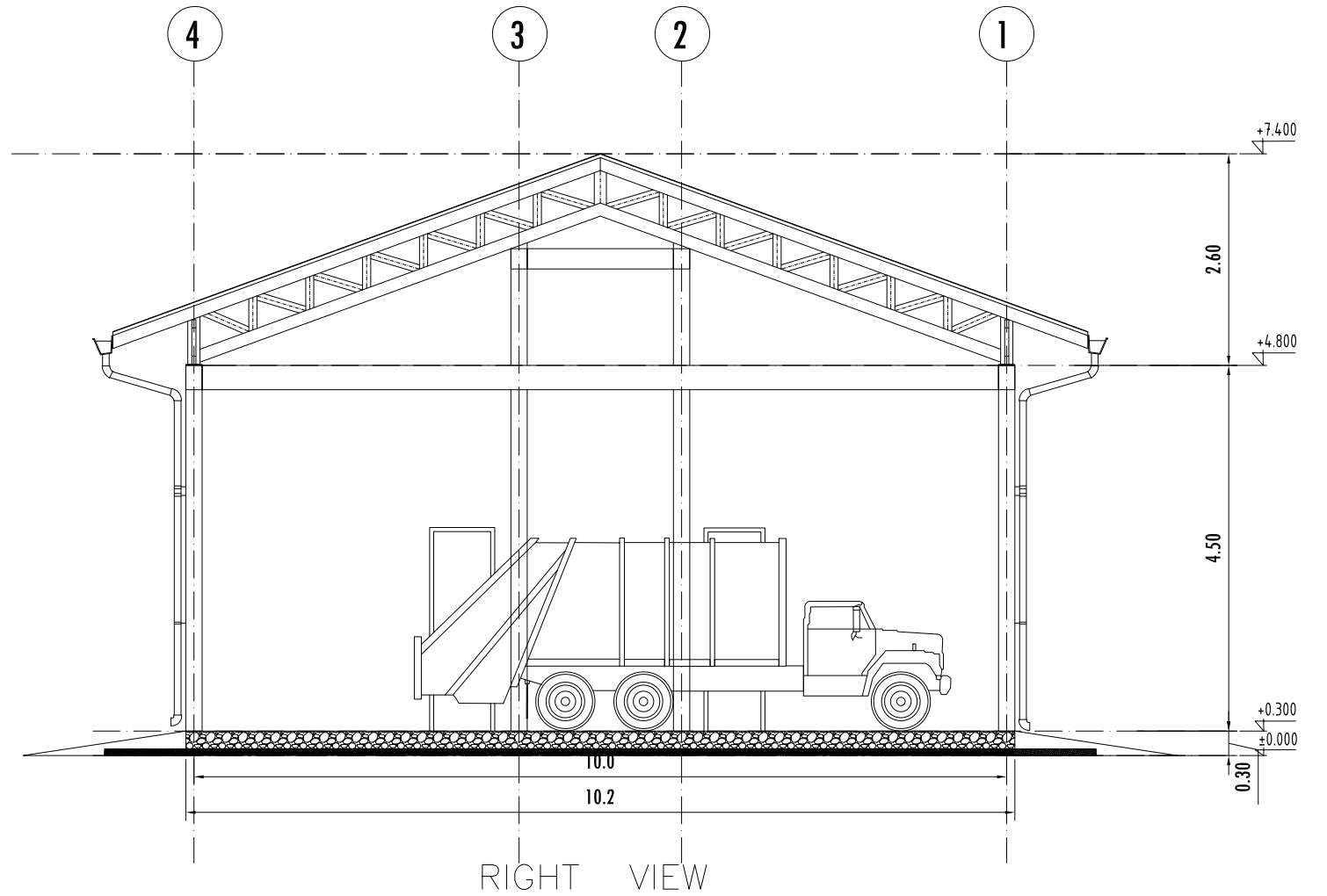
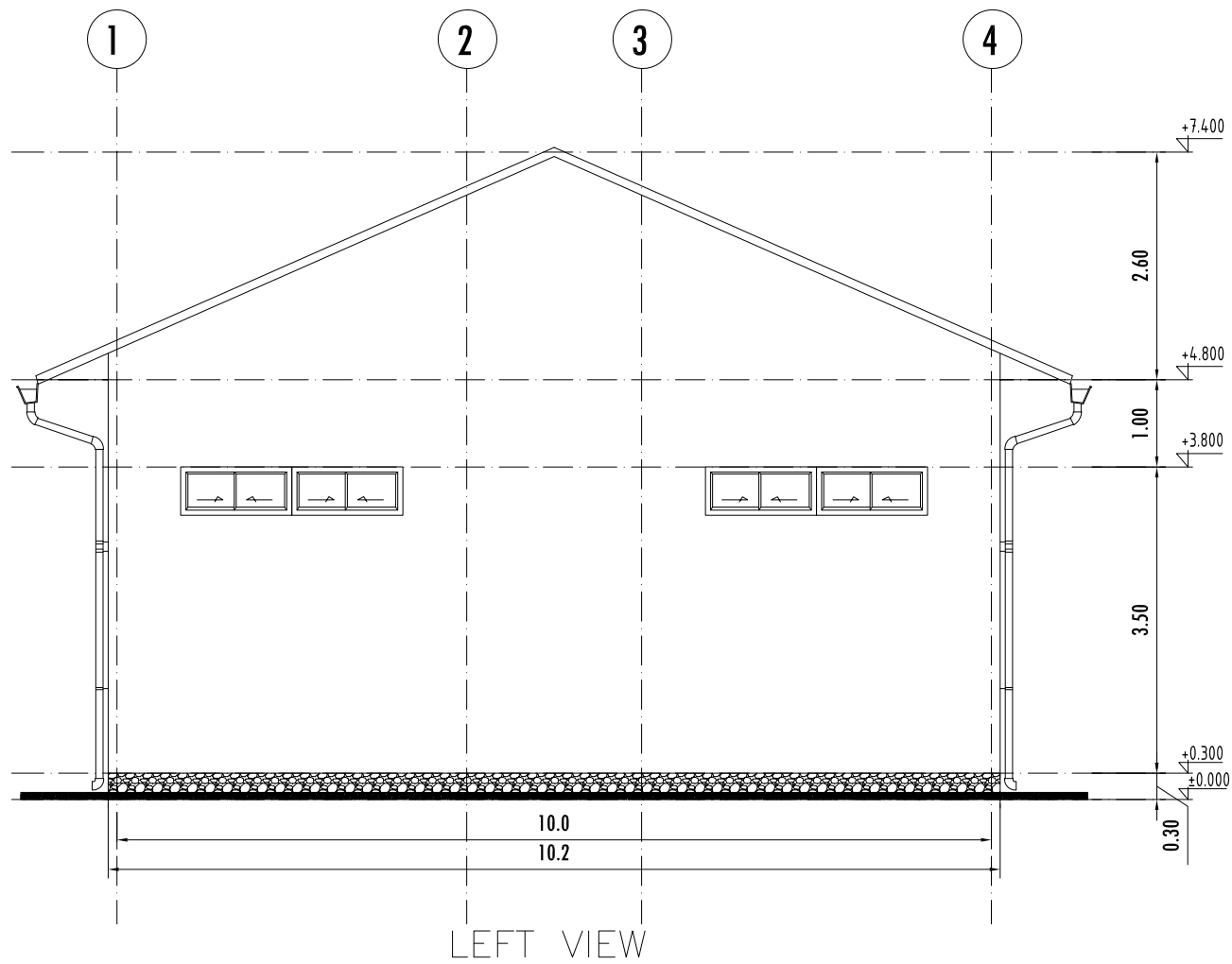
DESIGNED/DRAWN:

CHECKED:

APPROVED:

MRITYUNJOY

NAME OF PROJECT: 2ND GMS -TOURISM INFRASTRUCTURE FOR INCLUSIVE GROWTH WORKS PACKAGE -TIIG2-LAO-W04 Subproject V5: Vang Vieng Solid Waste Management Improvements		SHEET NO.: 00 OF 00	SHEET SIZE: A3
TITLE: Elevation of Workshop (Service Building)		SCALE:	
DRAWING NO.: RAM-LAO-DED-W04-A-04-3		REV: R01	DATE: JULY 2020



LEAD CONSULTANT :



Hannemanns Alle 53
DK-2300 København S
Tlf. +45 5161 1000
Fax +45 5161 1001
www.ramboll.dk

SUB-CONSULTANT:



Waste Concern Consultants

Level- 4, House No.- 120/B, (Masjid Road) Road- 7
New DOHS Mohakhali Dhaka- 1207, Bangladesh
Tlf. + 880-2-48810-841, + 880-2-48810-842
Fax. + 880-2- 9899-486, Email- office@wasteconcern.org
www.wasteconcern.org

CLIENT :



LAO PEOPLE'S DEMOCRATIC REPUBLIC (LAO PDR)
MINISTRY OF INFORMATION, CULTURE AND TOURISM

REV.	DATE	DESCRIPTION	DRN
R01	20.07.2020	PRELIMINARY ISSUE	

DESIGNED/DRAWN:

CHECKED:

APPROVED:

MRITYUNJOY

NAME OF PROJECT:
2ND GMS -TOURISM INFRASTRUCTURE FOR INCLUSIVE GROWTH
WORKS PACKAGE -TIIGP2-LAO-W04

Subproject V5: Vang Vieng Solid Waste Management Improvements

TITLE:
Front & Back Elevation of Workshop (Service Building)

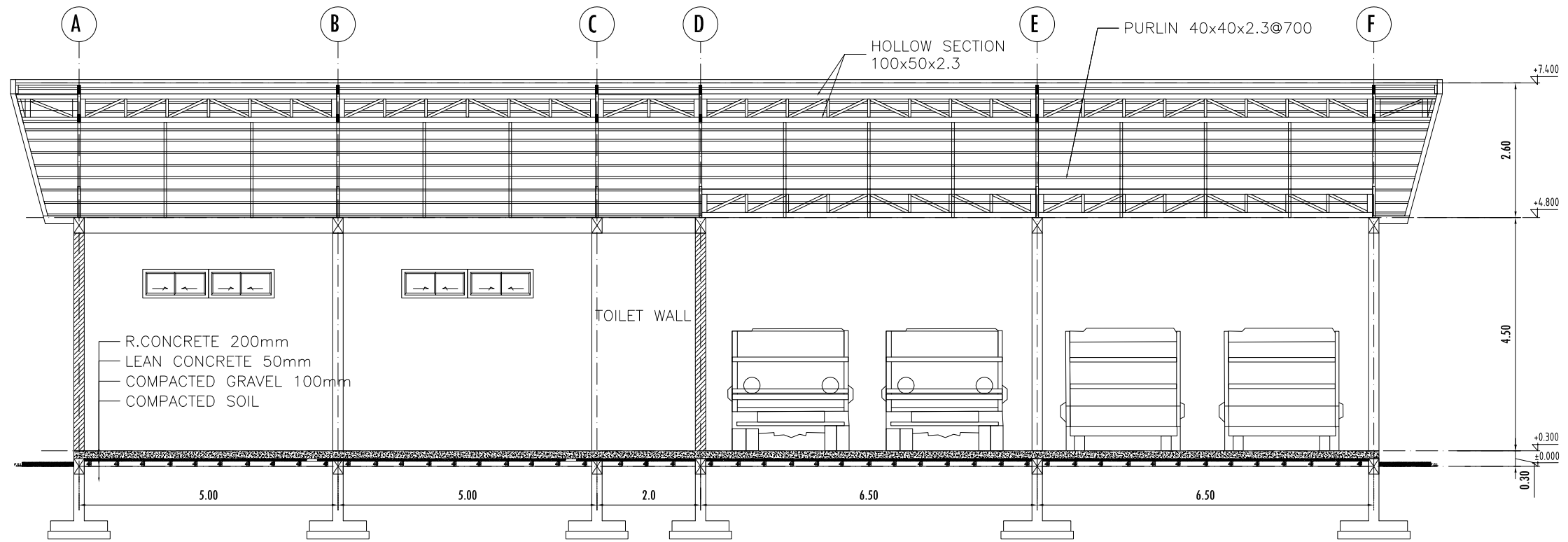
DRAWING NO.: RAM-LAO-DED-W04-A-04-4

REV: R01 DATE: JULY 2020

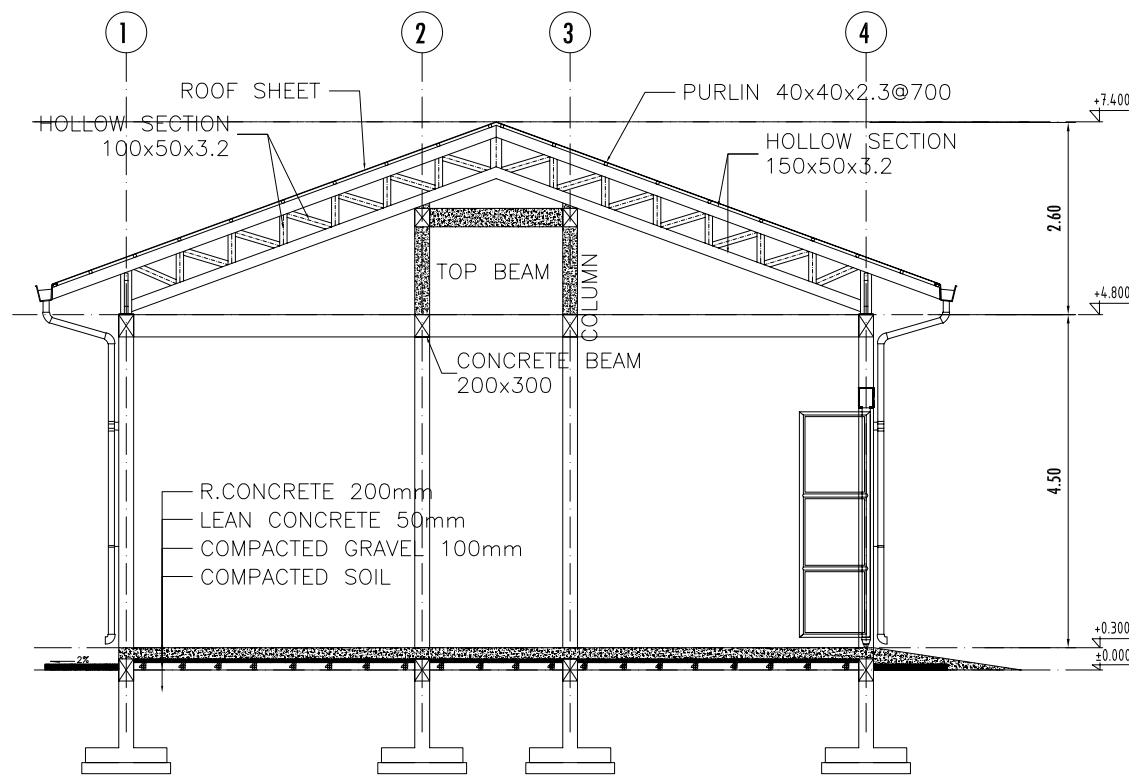
SHEET NO.: 00 OF 00

SCALE:

SHEET SIZE: A3



SECTION B-B



SECTION A-A

LEAD CONSULTANT :



Hannemanns Alle 53
DK-2300 København S
Tlf. +45 5161 1000
Fax +45 5161 1001
www.ramboll.dk

SUB-CONSULTANT:



Waste Concern Consultants

Level- 4, House No.- 120/B, (Masjid Road) Road- 7
New DOHS Mohakhali Dhaka- 1207, Bangladesh
Tlf. + 880-2-48810-841, + 880-2-48810-842
Fax. + 880-2- 9899-486, Email- office@wasteconcern.org
www.wasteconcern.org

CLIENT :



LAO PEOPLE'S DEMOCRATIC REPUBLIC (LAO PDR)
MINISTRY OF INFORMATION, CULTURE AND TOURISM

REV.	DATE	DESCRIPTION	DRN
R01	20.07.2020	PRELIMINARY ISSUE	

DESIGNED/DRAWN: _____
CHECKED: _____
APPROVED: *[Signature]*
MRITYUNJOY

NAME OF PROJECT:
2ND GMS -TOURISM INFRASTRUCTURE FOR INCLUSIVE GROWTH
WORKS PACKAGE -TIIGP2-LAO-W04

Subproject V5: Vang Vieng Solid Waste Management Improvements

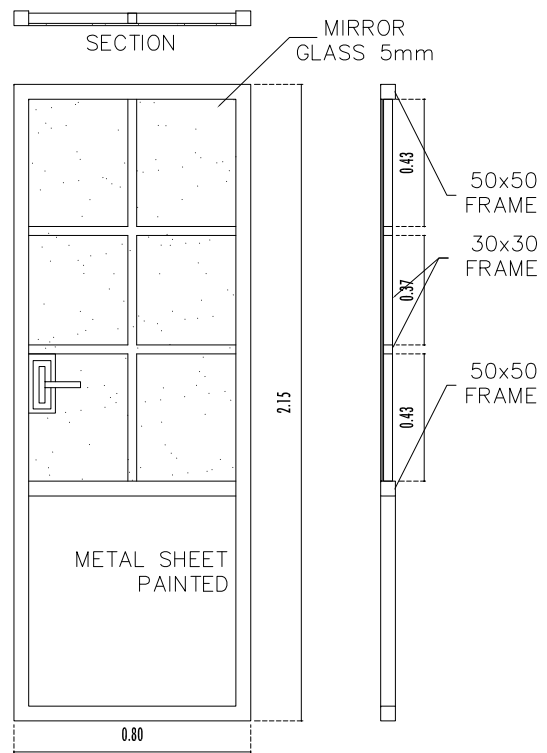
TITLE:
Section of Workshop (Service Building)

DRAWING NO.: RAM-LAO-DED-W04-A-04-5

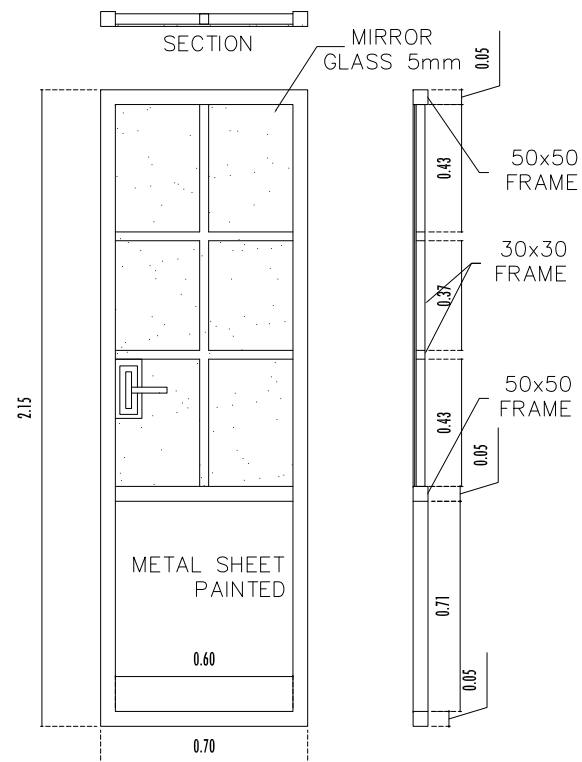
SHEET NO.: 00 OF 00
SCALE: _____

SHEET SIZE: A3

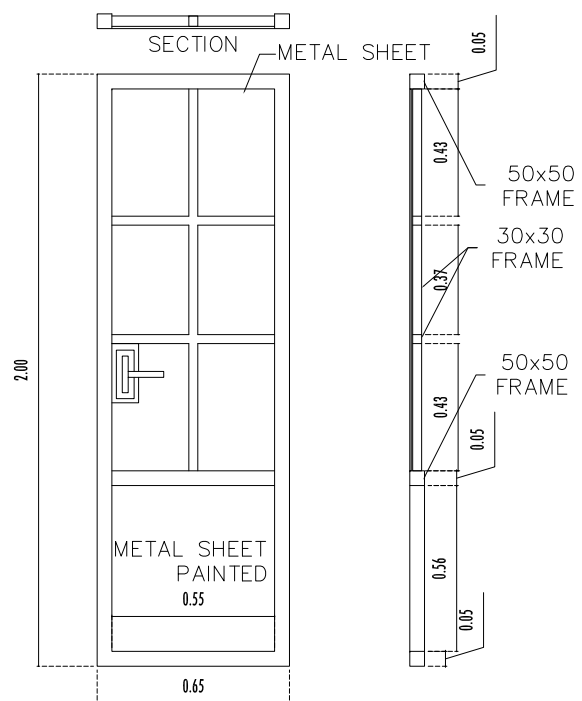
REV: R01 DATE: JULY 2020



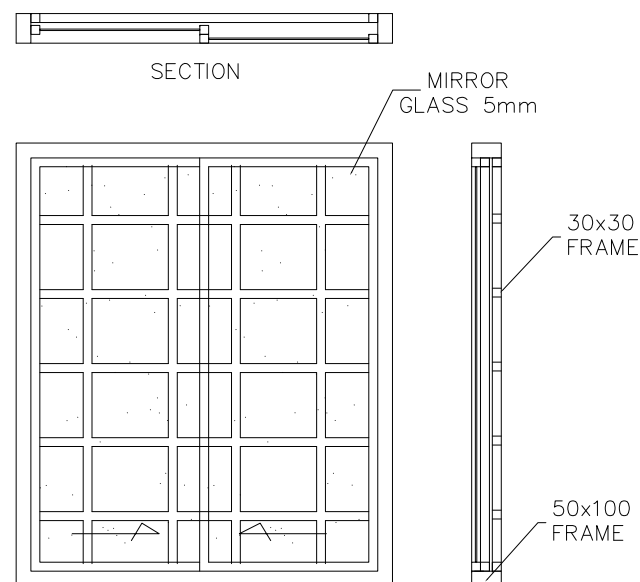
AD3
A-16
DETAIL OF DOOR
SCALE 1 : 50



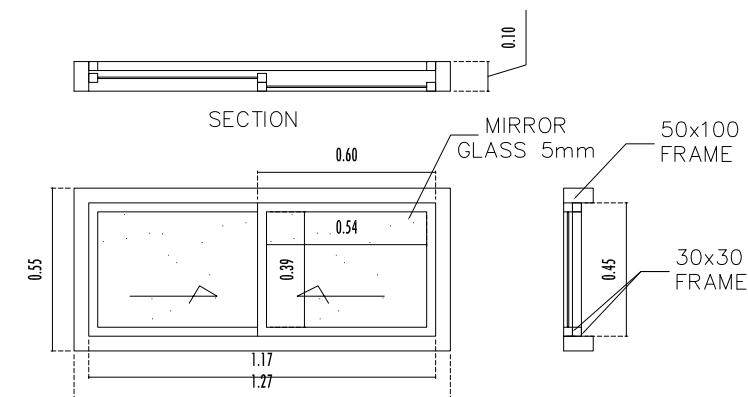
AD4
A-16
DETAIL OF DOOR
SCALE 1 : 50



AD5
A-16
DETAIL OF DOOR
SCALE 1 : 50



AW1
A-16
DETAIL OF WINDOW
SCALE 1 : 50



AW2
A-16
DETAIL OF WINDOW
SCALE 1 : 50

LEAD CONSULTANT :



Hannemanns Alle 53
DK-2300 København S
Tlf. +45 5161 1000
Fax +45 5161 1001
www.ramboll.dk

SUB-CONSULTANT:



Waste Concern Consultants
Level- 4, House No.- 120/B, (Masjid Road) Road- 7
New DOHS Mohakhali Dhaka- 1207, Bangladesh
Tlf. + 880-2-48810-841, + 880-2-48810-842
Fax. + 880-2- 9899-486, Email- office@wasteconcern.org
www.wasteconcern.org

CLIENT :

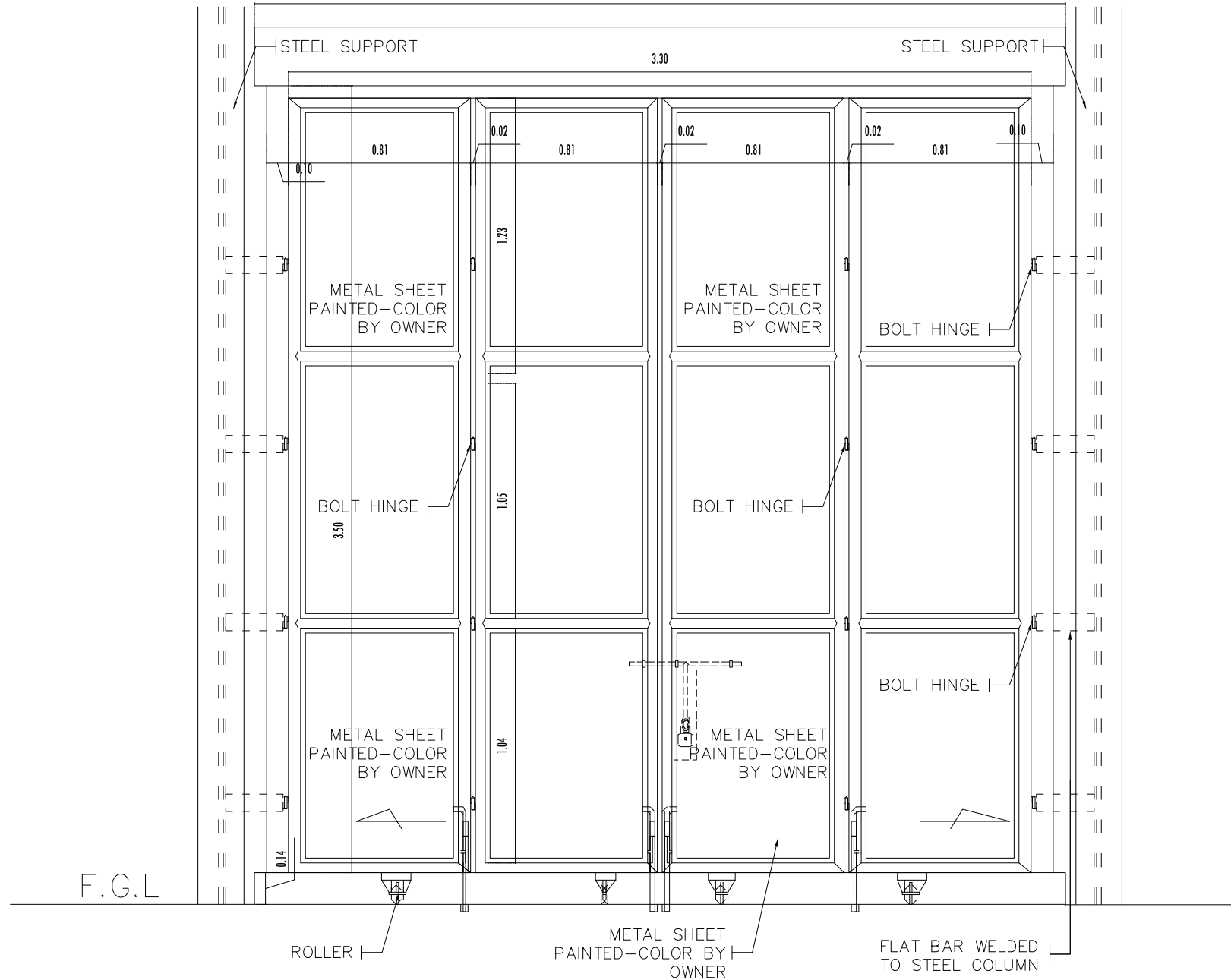
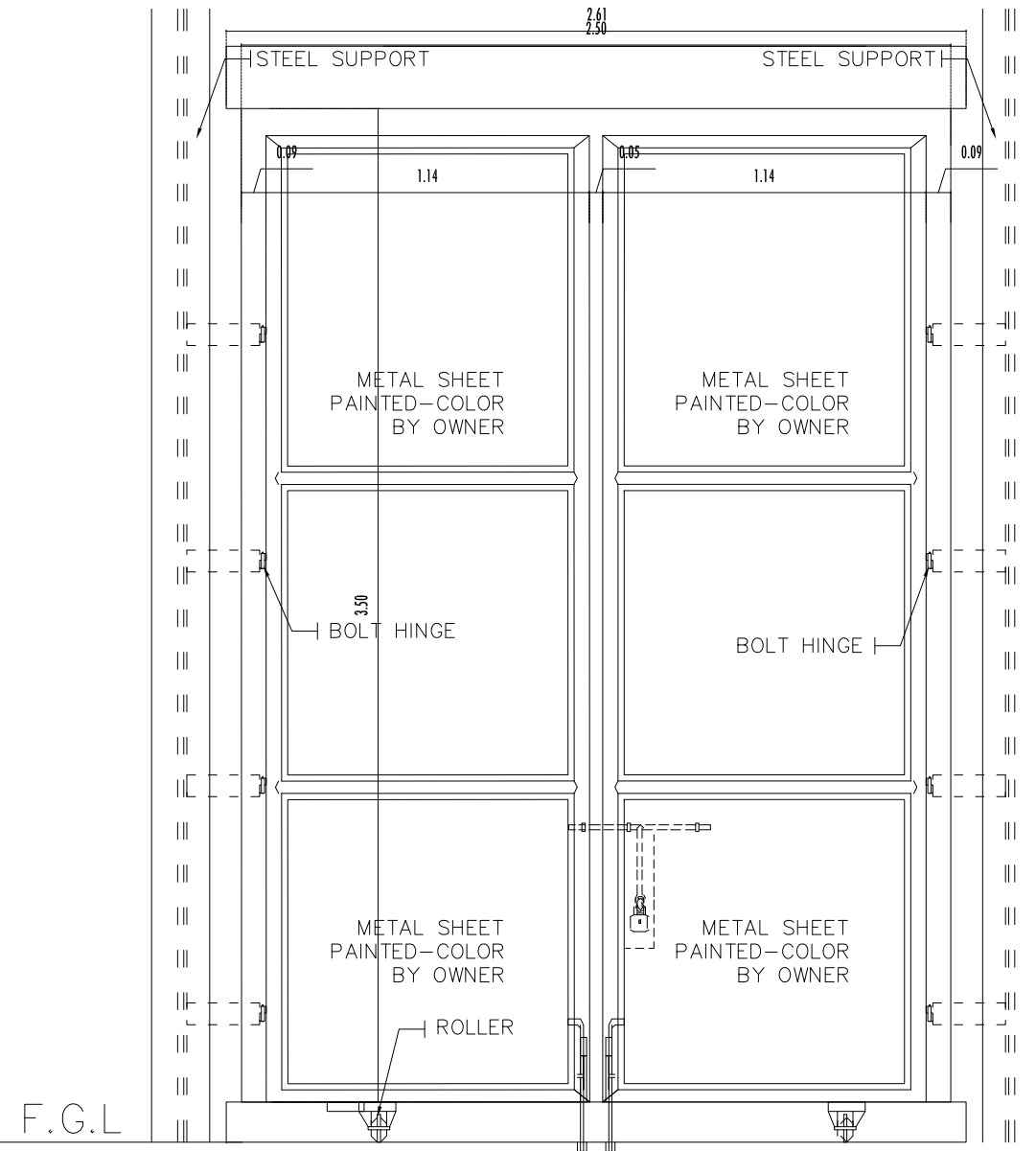
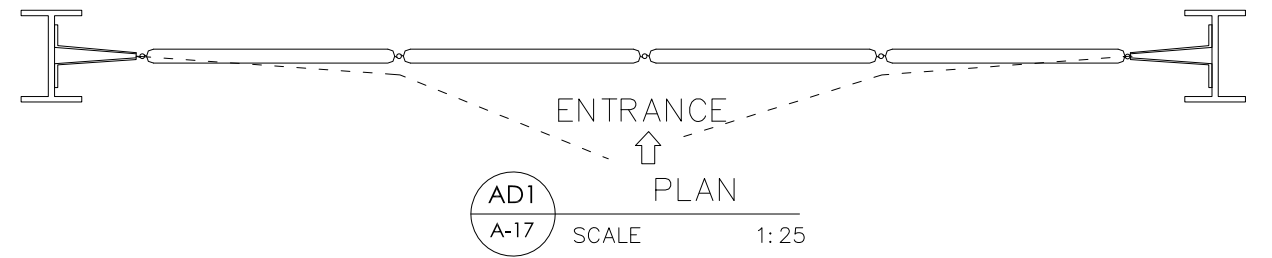
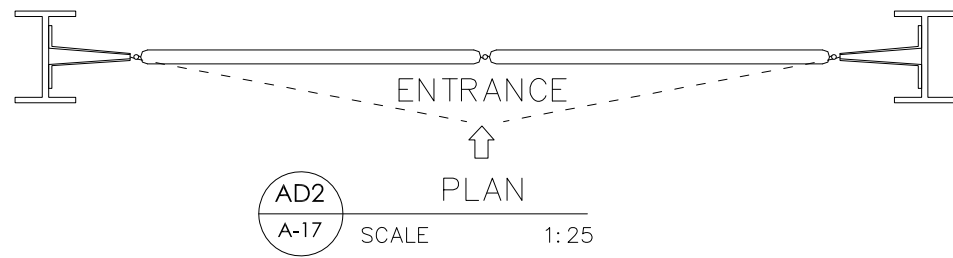


LAO PEOPLE'S DEMOCRATIC REPUBLIC (LAO PDR)
MINISTRY OF INFORMATION, CULTURE AND TOURISM

REV.	DATE	DESCRIPTION	DRN
R01	20.07.2020	PRELIMINARY ISSUE	

DESIGNED/DRAWN: _____
CHECKED: _____
APPROVED: _____
MRITYUNJOY

NAME OF PROJECT: 2ND GMS -TOURISM INFRASTRUCTURE FOR INCLUSIVE GROWTH WORKS PACKAGE -TIIG2-LAO-W04 Subproject V5: Vang Vieng Solid Waste Management Improvements		SHEET NO.: 00 OF 00	SHEET SIZE: A3
TITLE: Doors & Windows Details of Workshop (Service Building)		SCALE:	
DRAWING NO.: RAM-LAO-DED-W04-A-04-6	REV: R01	DATE: JULY 2020	



AD2 ELEVATION
A-17 SCALE 1 : 25

AD1 ELEVATION
A-17 SCALE 1 : 25

AD2 ACCORDION DOOR DETAIL
A-17 SCALE 1 : 25

AD1 ACCORDION DOOR DETAIL
A-17 SCALE 1 : 25

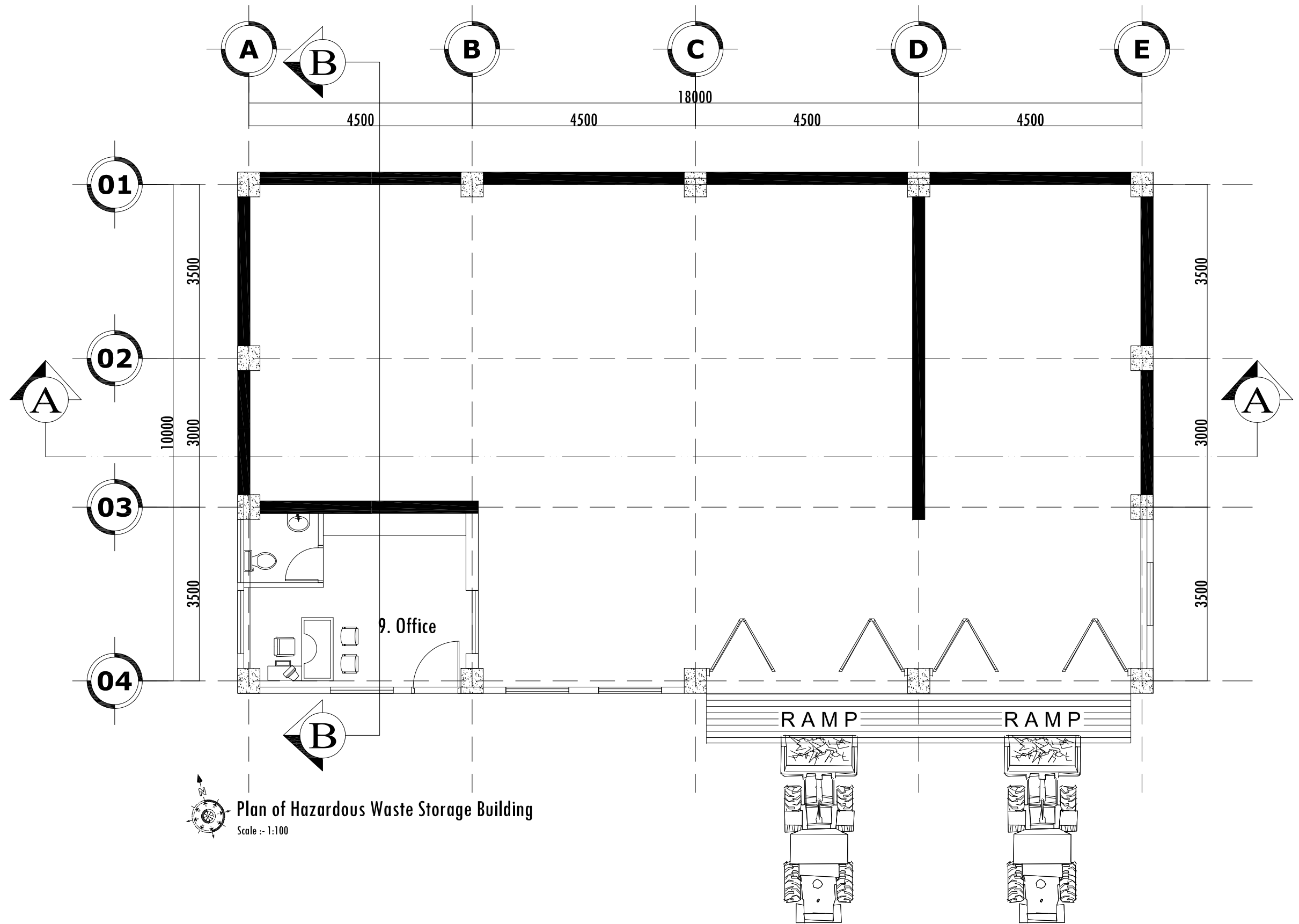
LEAD CONSULTANT :
RAMBOLL
Hannemanns Alle'53
DK-2300 København S
Tlf. +45 5161 1000
Fax +45 5161 1001
www.ramboll.dk

SUB-CONSULTANT:
Waste Concern Consultants
Level- 4, House No.- 120/B, (Masjid Road) Road- 7
New DOHS Mohakhali Dhaka- 1207, Bangladesh
Tlf. + 880-2-48810-841, + 880-2-48810-842
Fax. + 880-2- 9899-486, Email- office@wasteconcern.org
www.wasteconcern.org

CLIENT :
LAOS
LAO PEOPLE'S DEMOCRATIC REPUBLIC (LAO PDR)
MINISTRY OF INFORMATION, CULTURE AND TOURISM

DESIGNED/DRAWN:	NAME OF PROJECT:
CHECKED:	2ND GMS -TOURISM INFRASTRUCTURE FOR INCLUSIVE GROWTH WORKS PACKAGE -TIIGP2-LAO-W04
APPROVED:	Subproject V5: Vang Vieng Solid Waste Management Improvements
REV. DATE DESCRIPTION DRN	TITLE: Accordion Doors Details of Workshop (Service Building)
R01 20.07.2020 PRELIMINARY ISSUE	SHEET NO.: 00 OF 00 SHEET SIZE: A3
	SCALE:
	DRAWING NO.: RAM-LAO-DED-W04-A-04-7
	REV: R01 DATE: JULY 2020

NAME OF PROJECT:
2ND GMS -TOURISM INFRASTRUCTURE FOR INCLUSIVE GROWTH
WORKS PACKAGE -TIIGP2-LAO-W04
Subproject V5: Vang Vieng Solid Waste Management Improvements
TITLE: Accordion Doors Details of Workshop (Service Building)
SHEET NO.: 00 OF 00 SHEET SIZE: A3
SCALE:
DRAWING NO.: RAM-LAO-DED-W04-A-04-7
REV: R01 DATE: JULY 2020



Plan of Hazardous Waste Storage Building
Scale :- 1:100

LEAD CONSULTANT :



Hannemanns Alle 53
DK-2300 København S
Tlf. +45 5161 1000
Fax +45 5161 1001
www.ramboll.dk

SUB-CONSULTANT:



Waste Concern Consultants
Level- 4, House No.- 120/B, (Masjid Road) Road- 7
New DOHS Mohakhali Dhaka- 1207, Bangladesh
Tlf. + 880-2-48810-841, + 880-2-48810-842
Fax. + 880-2- 9899-486, Email- office@wasteconcern.org
www.wasteconcern.org

CLIENT :



LAO PEOPLE'S DEMOCRATIC REPUBLIC (LAO PDR)
MINISTRY OF INFORMATION, CULTURE AND TOURISM

REV.	DATE	DESCRIPTION	DRN
R01	20.07.2020	PRELIMINARY ISSUE	

DESIGNED/DRAWN:

CHECKED:

APPROVED:

MRITYUNJOY

NAME OF PROJECT:

2ND GMS -TOURISM INFRASTRUCTURE FOR INCLUSIVE GROWTH

WORKS PACKAGE -TIIGP2-LAO-W04

Subproject V5: Vang Vieng Solid Waste Management Improvements

TITLE: **PLAN OF HAZARDOUS WASTE STORAGE BUILDING**

DRAWING NO.: **RAM-LAO-DED-W04-A-05-1**

SHEET NO.:

00 OF 00

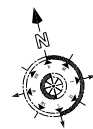
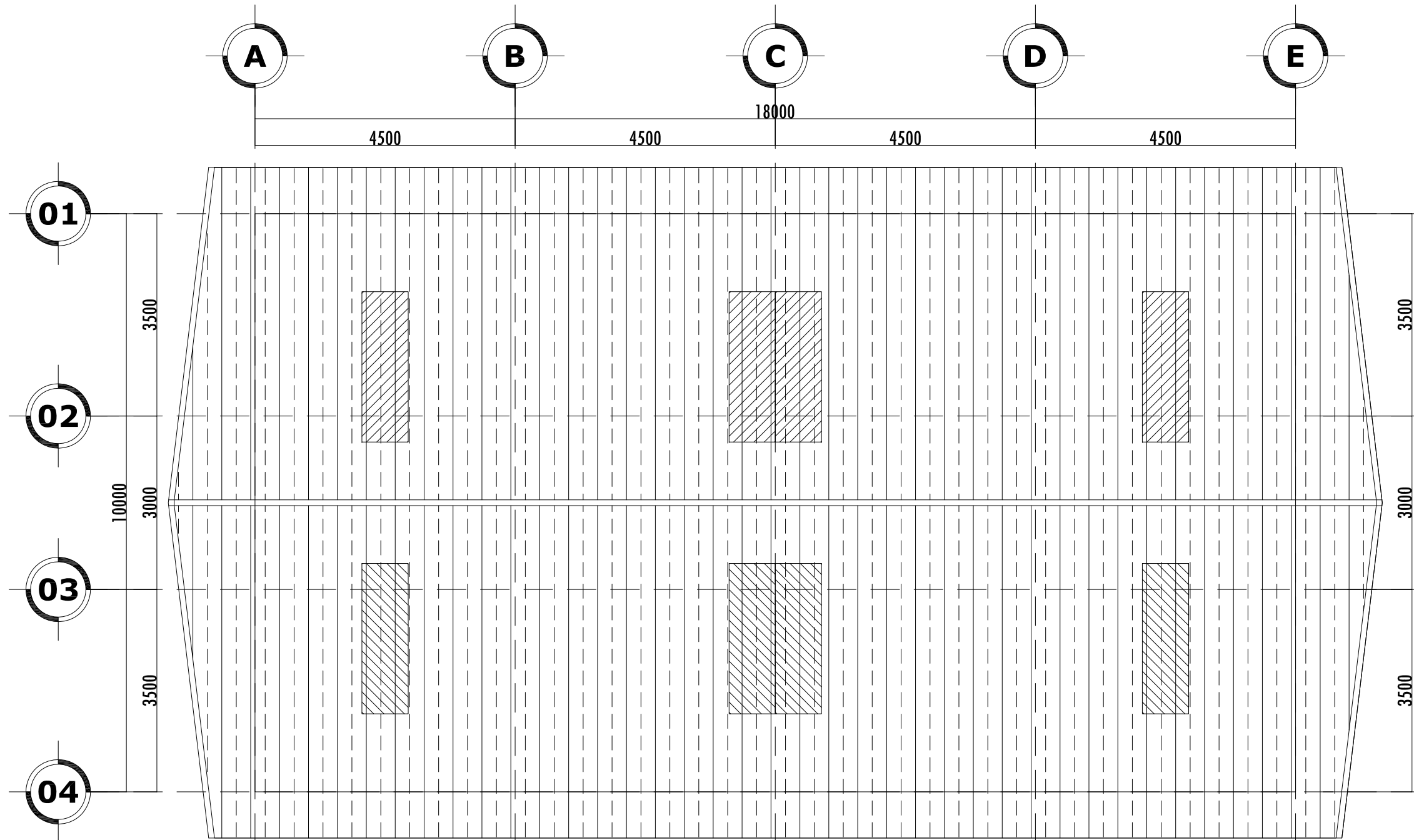
SCALE: 1 : 100, 1: 150

REVISIONS

DATE: JULY 2020

SHEET SIZE:

A3



Roof Plan of Hazardous Waste Storage Building

Scale :- 1:100

LEAD CONSULTANT :



Hannemanns Alle 53
DK-2300 København S
Tlf. +45 5161 1000
Fax +45 5161 1001
www.ramboll.dk

SUB-CONSULTANT:



Waste Concern Consultants

Level- 4, House No.- 120/B, (Masjid Road) Road- 7
New DOHS Mohakhali Dhaka- 1207, Bangladesh
Tlf. + 880-2-48810-841, + 880-2-48810-842
Fax. + 880-2- 9899-486, Email- office@wasteconcern.org
www.wasteconcern.org

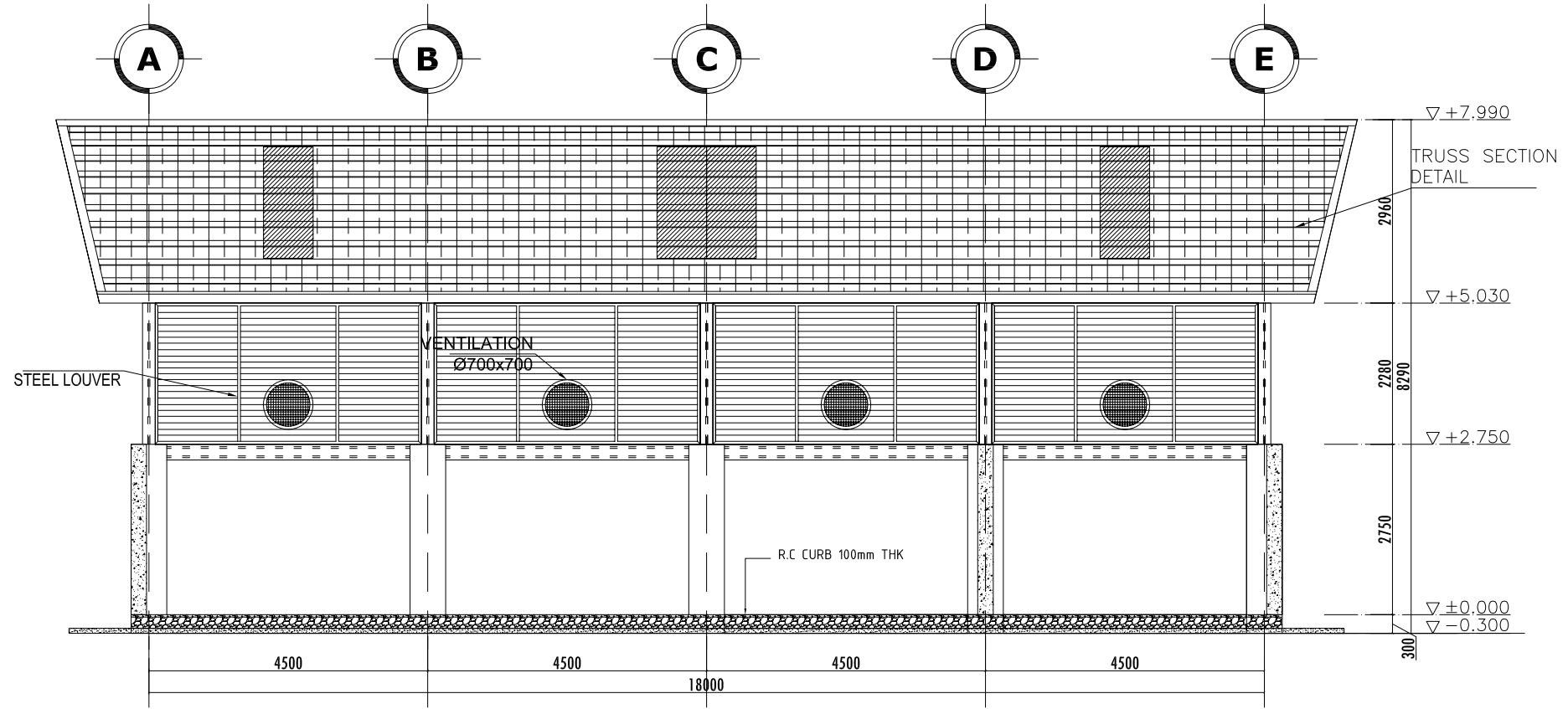
CLIENT :



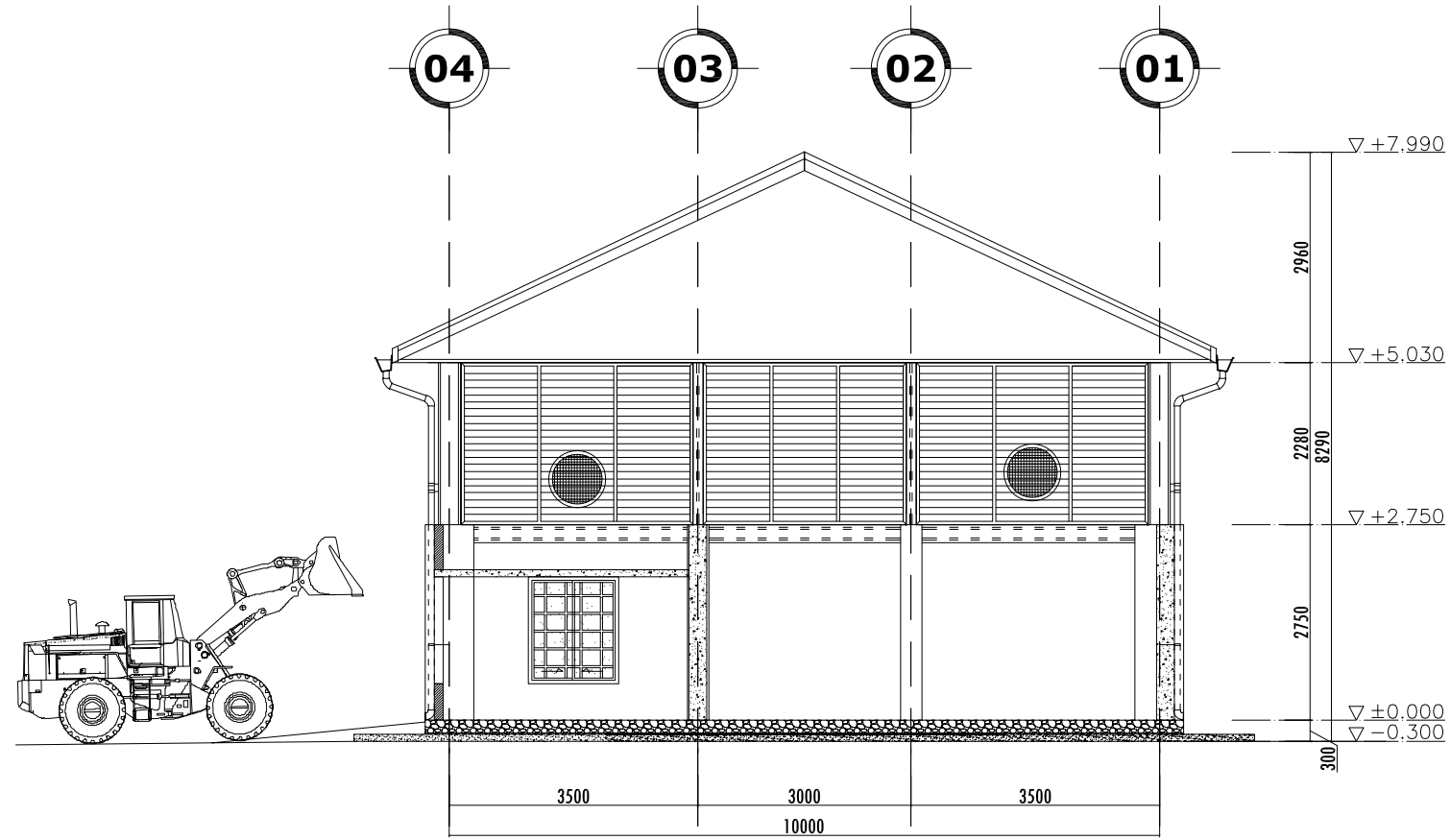
LAO PEOPLE'S DEMOCRATIC REPUBLIC (LAO PDR)
MINISTRY OF INFORMATION, CULTURE AND TOURISM

DESIGNED/DRAWN:	
CHECKED:	
APPROVED:	<i>[Signature]</i>
REV.	DATE
R01	20.07.2020
	PRELIMINARY ISSUE
	DESCRIPTION
	DRN
	MRITYUNJOY

NAME OF PROJECT:		2ND GMS -TOURISM INFRASTRUCTURE FOR INCLUSIVE GROWTH	
		WORKS PACKAGE -TIIGP2-LAO-W04	
		Subproject V5: Vang Vieng Solid Waste Management Improvements	
TITLE:	ROOF PLAN OF HAZARDOUS WASTE STORAGE BUILDING	SHEET NO.:	00 OF 00
		SHEET SIZE:	A3
		SCALE:	1:80
DRAWING NO.:	RAM-LAO-DED-W04-A-05-2	REV:	R01
		DATE:	JULY 2020



SECTION : A-A



SECTION : B-B

LEAD CONSULTANT :



Hannemanns Alle 53
DK-2300 København S
Tlf. +45 5161 1000
Fax +45 5161 1001
www.ramboll.dk

SUB-CONSULTANT:



Waste Concern Consultants
Level- 4, House No.- 120/B, (Masjid Road) Road- 7
New DOHS Mohakhali Dhaka- 1207, Bangladesh
Tlf. + 880-2-48810-841, + 880-2-48810-842
Fax. + 880-2- 9899-486, Email- office@wasteconcern.org
www.wasteconcern.org

CLIENT :

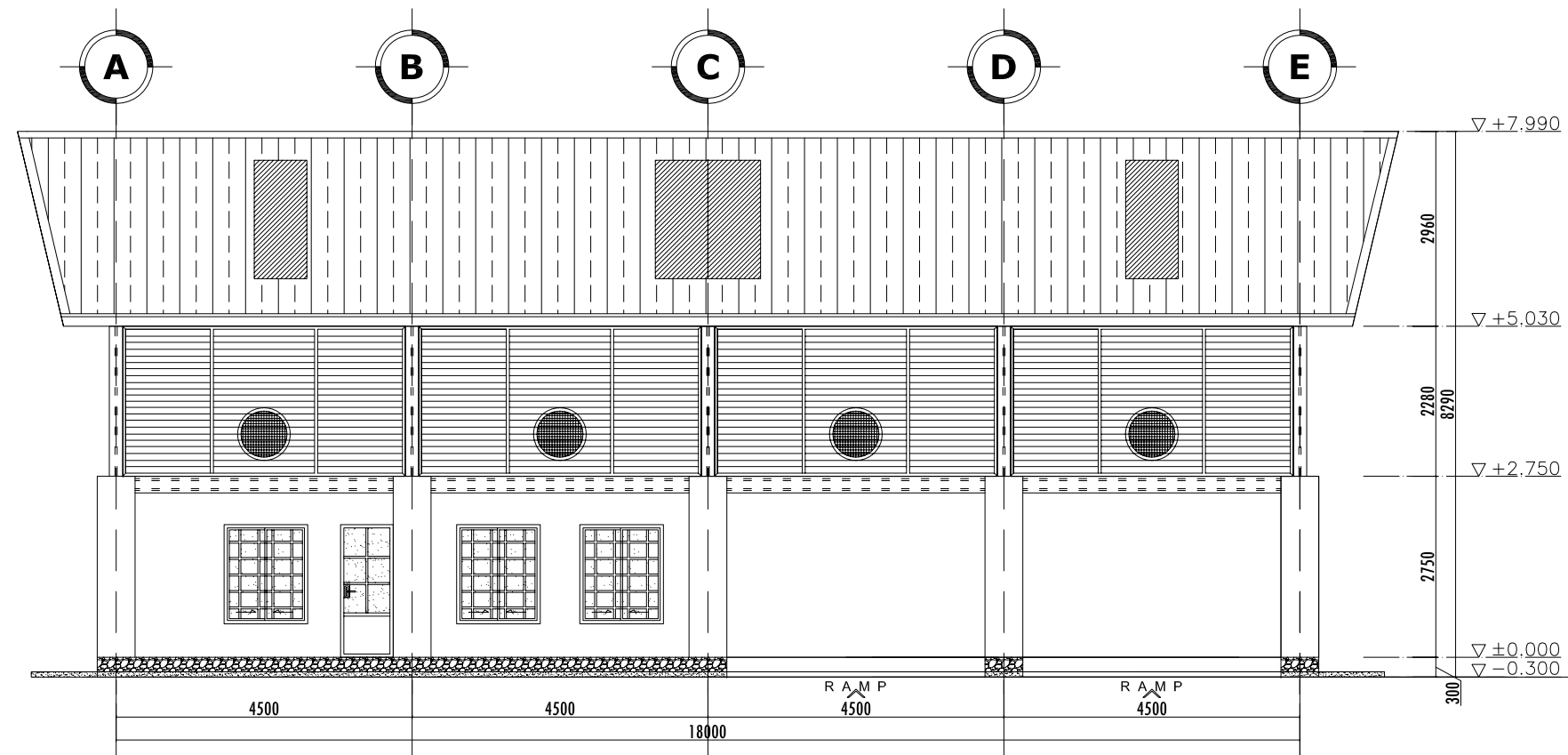


LAO PEOPLE'S DEMOCRATIC REPUBLIC (LAO PDR)
MINISTRY OF INFORMATION, CULTURE AND TOURISM

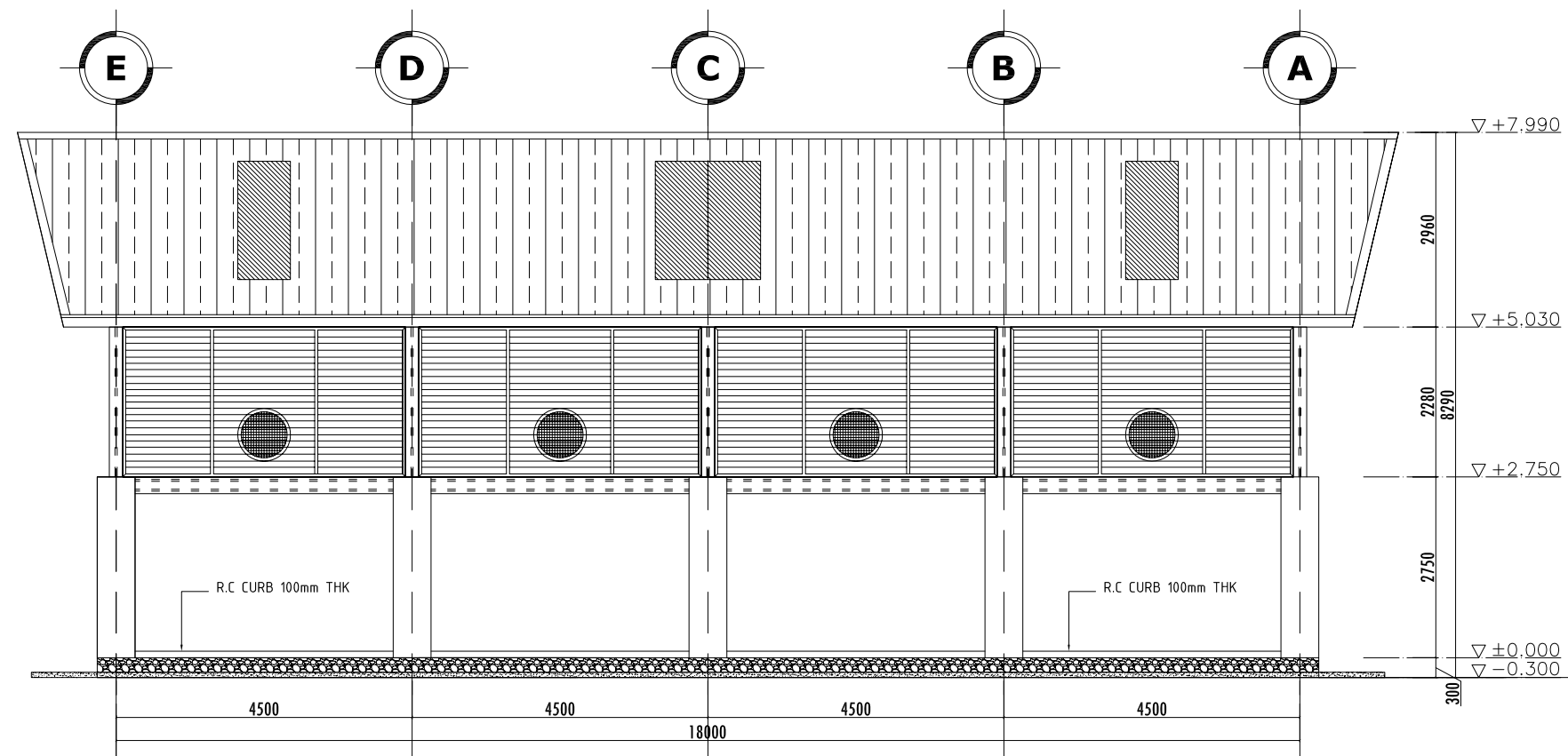
REV.	DATE	DESCRIPTION	DRN
R01	20.07.2020	PRELIMINARY ISSUE	

DESIGNED/DRAWN: /
CHECKED: /
APPROVED: *[Signature]*
MRITYUNJOY

NAME OF PROJECT: 2ND GMS -TOURISM INFRASTRUCTURE FOR INCLUSIVE GROWTH WORKS PACKAGE -TIIGP2-LAO-W04		SHEET NO.: 00 OF 00	SHEET SIZE: A3
TITLE: CROSS SECTION OF HAZARDOUS WASTE STORAGE BUILDING		SCALE: 1 : 80	
DRAWING NO.: RAM-LAO-DED-W04-A-05-3		REV: R01	DATE: JULY 2020



FRONT VIEW



BACK VIEW

LEAD CONSULTANT :



Hannemanns Alle 53
DK-2300 København S
Tlf. +45 5161 1000
Fax +45 5161 1001
www.ramboll.dk

SUB-CONSULTANT:



Waste Concern Consultants
Level- 4, House No.- 120/B, (Masjid Road) Road- 7
New DOHS Mohakhali Dhaka- 1207, Bangladesh
Tlf. + 880-2-48810-841, + 880-2-48810-842
Fax. + 880-2- 9899-486, Email- office@wasteconcern.org
www.wasteconcern.org

CLIENT :



LAO PEOPLE'S DEMOCRATIC REPUBLIC (LAO PDR)
MINISTRY OF INFORMATION, CULTURE AND TOURISM

REV.	DATE	DESCRIPTION	DRN
R01	20.07.2020	PRELIMINARY ISSUE	

DESIGNED/DRAWN:

CHECKED:

APPROVED:

MRITYUNJOY

NAME OF PROJECT:
2ND GMS -TOURISM INFRASTRUCTURE FOR INCLUSIVE GROWTH
WORKS PACKAGE -TIIGP2-LAO-W04

Subproject V5: Vang Vieng Solid Waste Management Improvements

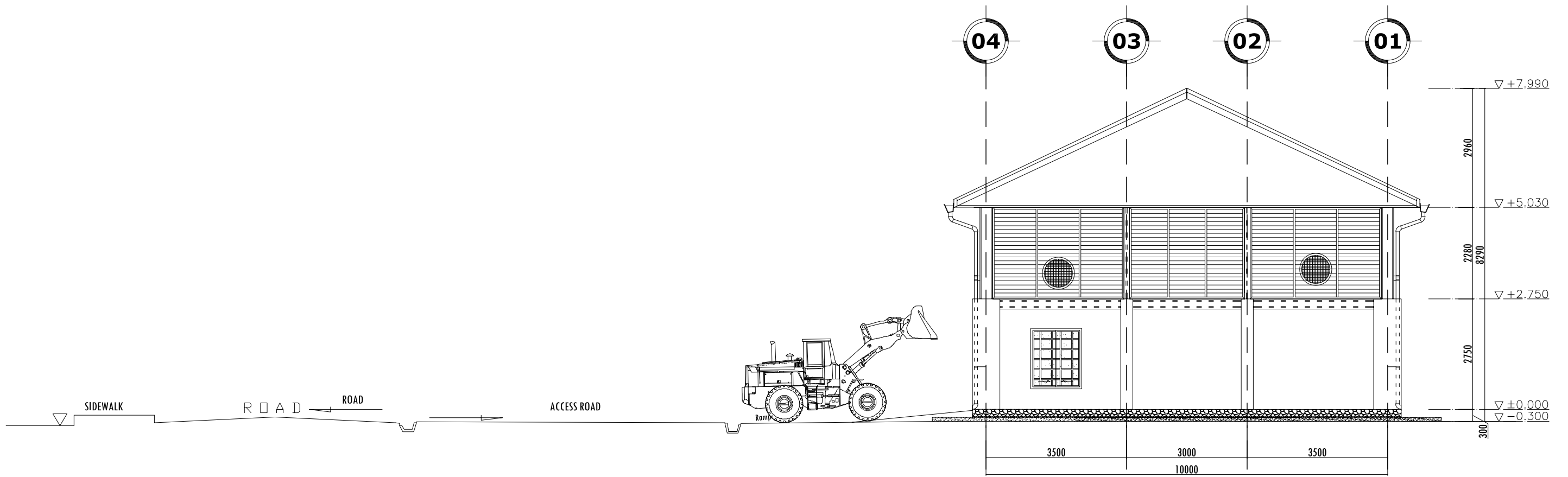
TITLE:
FACADES OF HAZARDOUS WASTE STORAGE BUILDING

DRAWING NO.: RAM-LAO-DED-W04-A-05-4

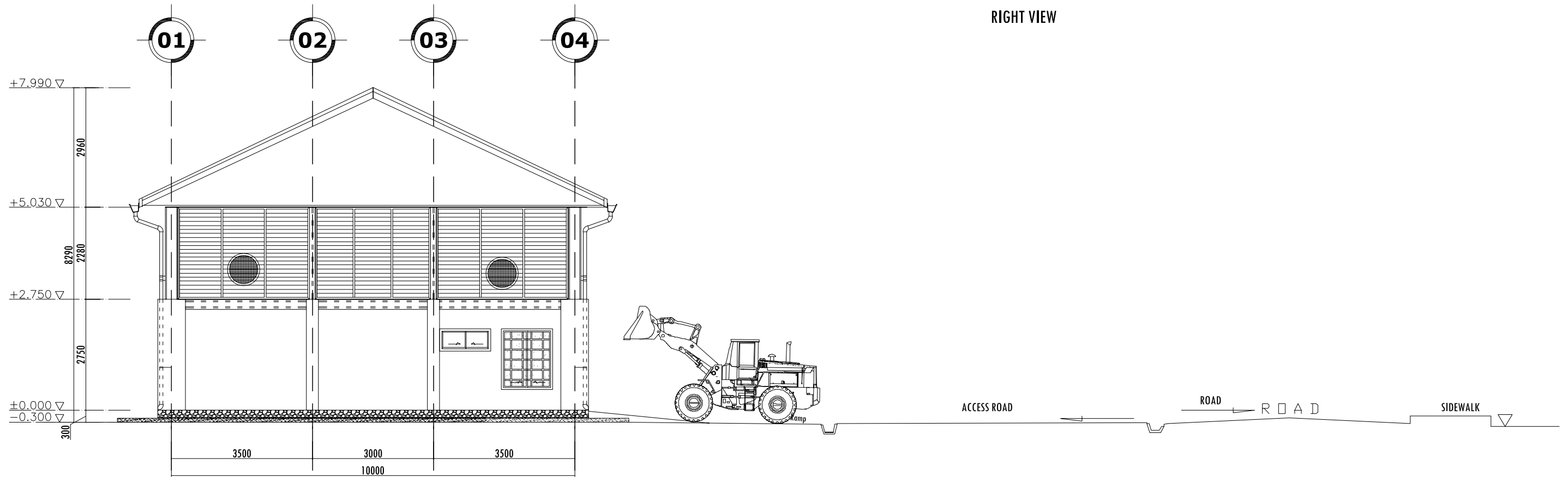
SHEET NO.: 00 OF 00
SCALE: 1 : 80

SHEET SIZE: A3

REV: R01 DATE: JULY 2020



RIGHT VIEW



LEFT VIEW

LEAD CONSULTANT :



Hannemanns Alle 53
DK-2300 København S
Tlf. +45 5161 1000
Fax +45 5161 1001
www.ramboll.dk

SUB-CONSULTANT:



Waste Concern Consultants

Level- 4, House No.- 120/B, (Masjid Road) Road- 7
New DOHS Mohakhali Dhaka- 1207, Bangladesh
Tlf. + 880-2-48810-841, + 880-2-48810-842
Fax. + 880-2- 9899-486, Email- office@wasteconcern.org
www.wasteconcern.org

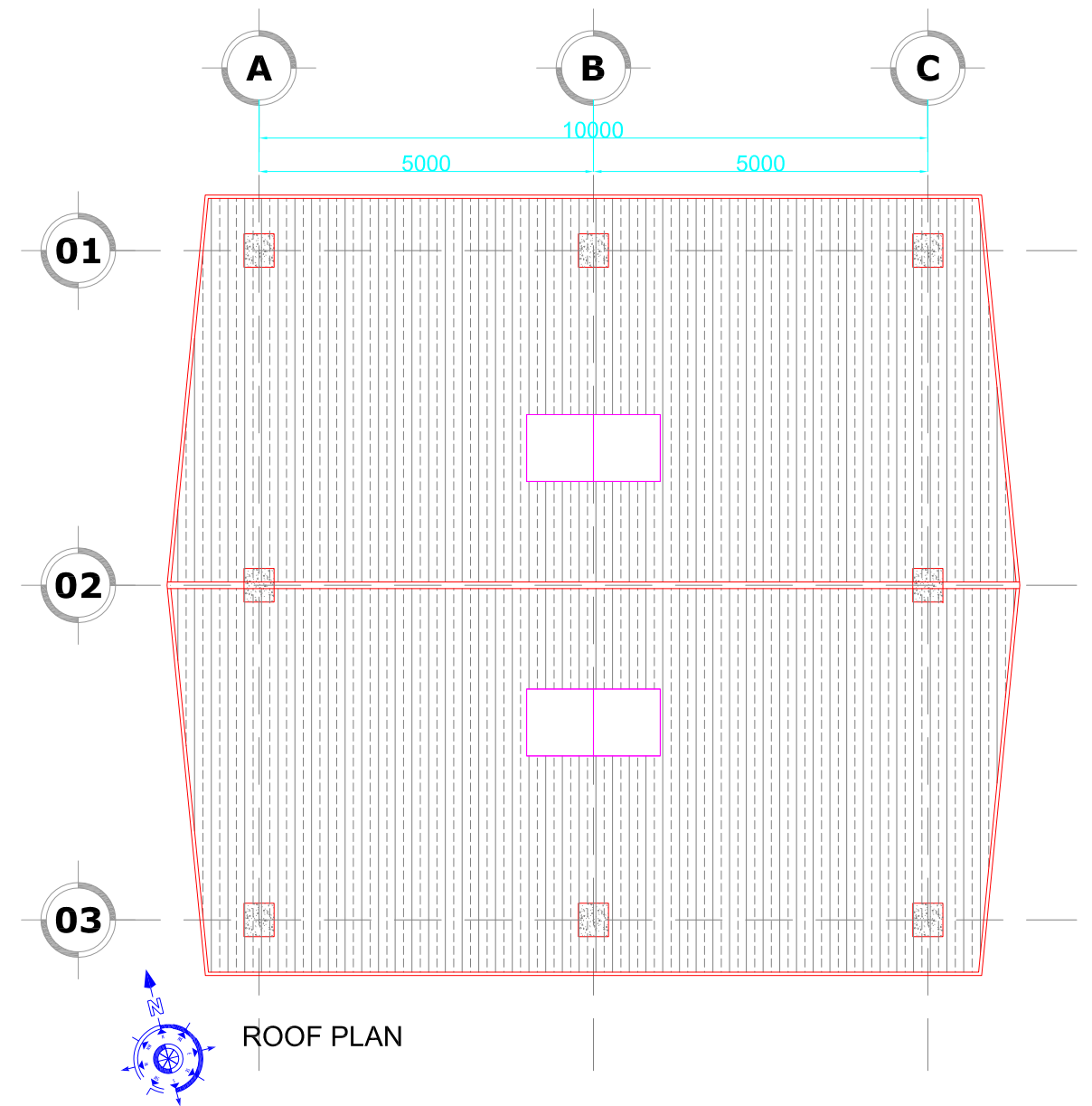
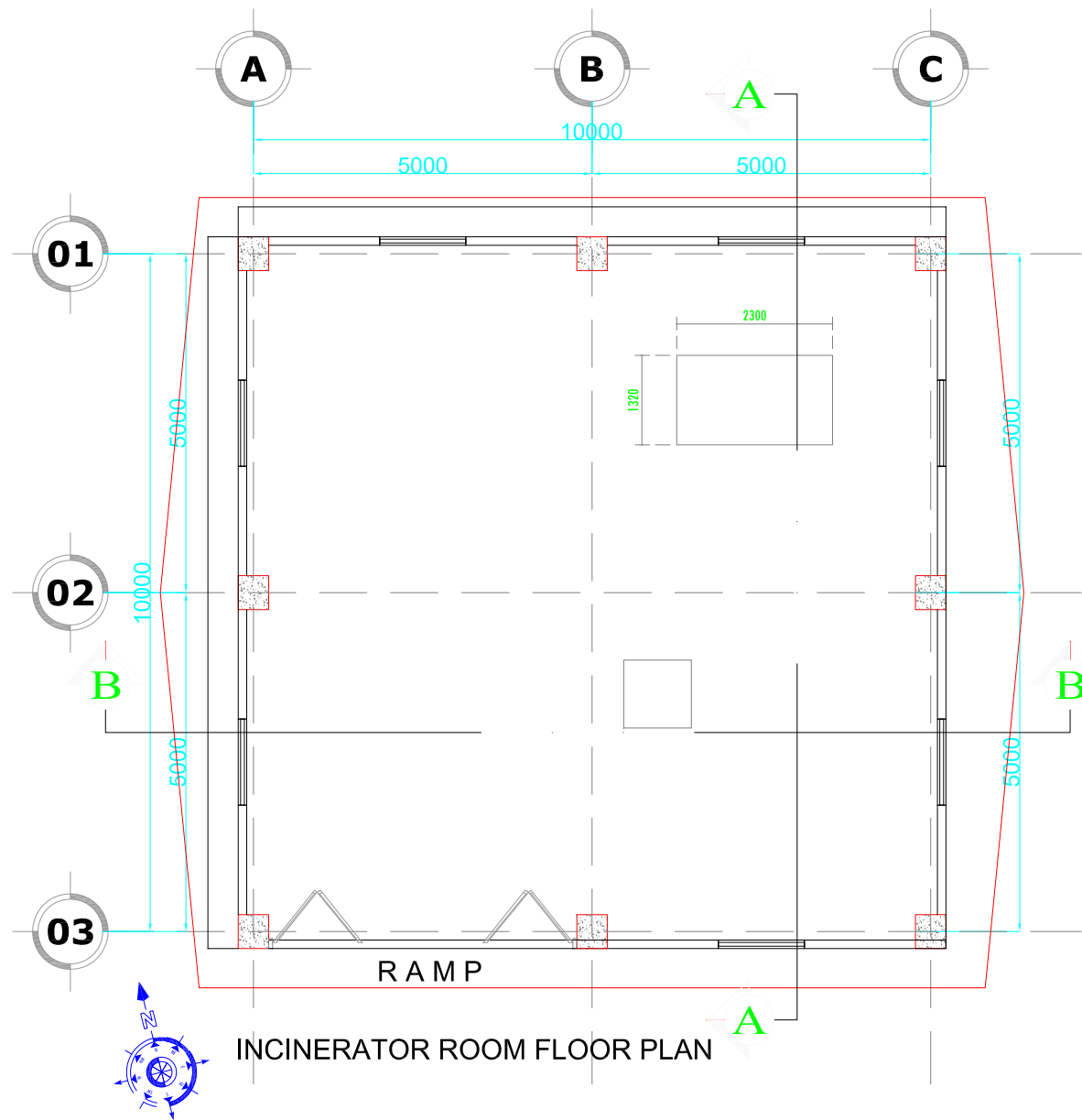
CLIENT :



LAO PEOPLE'S DEMOCRATIC REPUBLIC (LAO PDR)
MINISTRY OF INFORMATION, CULTURE AND TOURISM

DESIGNED/DRAWN:	
CHECKED:	
APPROVED:	<i>[Signature]</i>
REV.	DATE
R01	20.07.2020
	PRELIMINARY ISSUE
	DESCRIPTION
	DRN
	MRITYUNJOY

NAME OF PROJECT:	
2ND GMS -TOURISM INFRASTRUCTURE FOR INCLUSIVE GROWTH	
WORKS PACKAGE -TIIGP2-LAO-W04	
Subproject V5: Vang Vieng Solid Waste Management Improvements	
TITLE:	FACADES OF HAZARDOUS WASTE STORAGE BUILDING
SHEET NO.:	00 OF 00
SHEET SIZE:	A3
SCALE:	1 : 80
DRAWING NO.:	RAM-LAO-DED-W04-A-05-4
REV:	R01
DATE:	JULY 2020



LEAD CONSULTANT :



Hannemanns Alle 53
DK-2300 København S
Tlf. +45 5161 1000
Fax +45 5161 1001
www.ramboll.dk

SUB-CONSULTANT:



Waste Concern Consultants
Level- 4, House No.- 120/B, (Masjid Road) Road- 7
New DOHS Mohakhali Dhaka- 1207, Bangladesh
Tlf. + 880-2-48810-841, + 880-2-48810-842
Fax. + 880-2- 9899-486, Email- office@wasteconcern.org
www.wasteconcern.org

CLIENT :

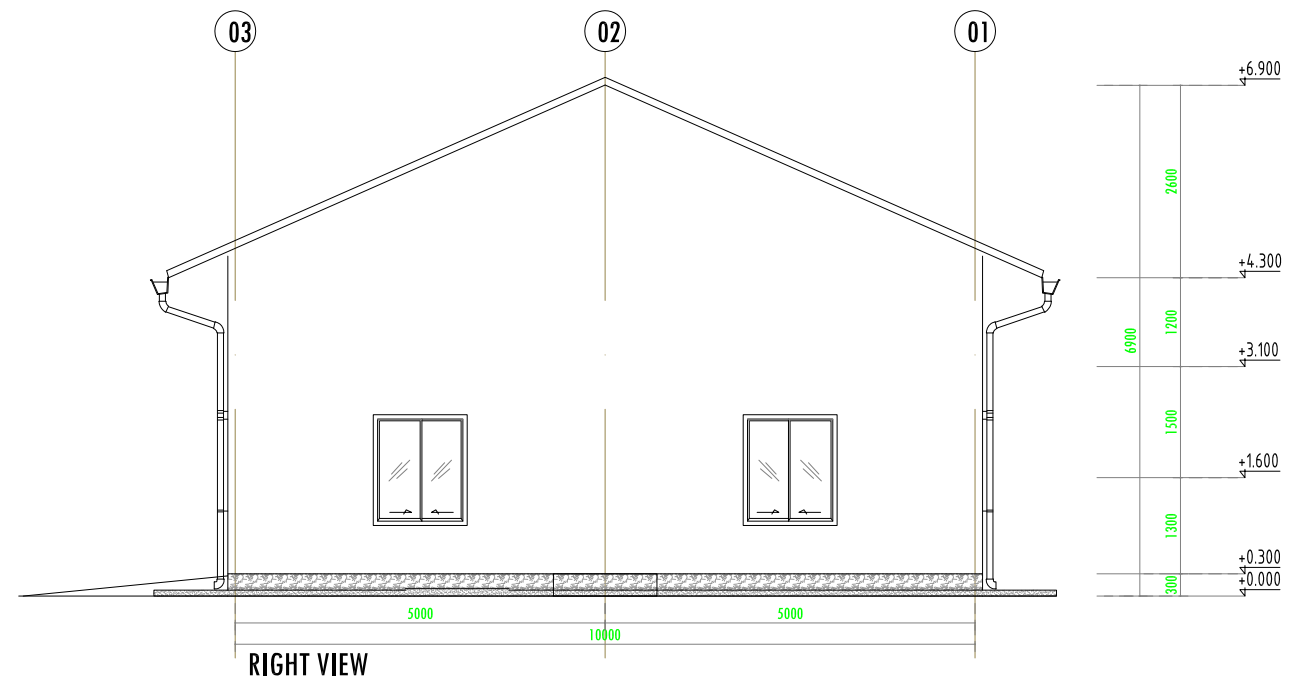
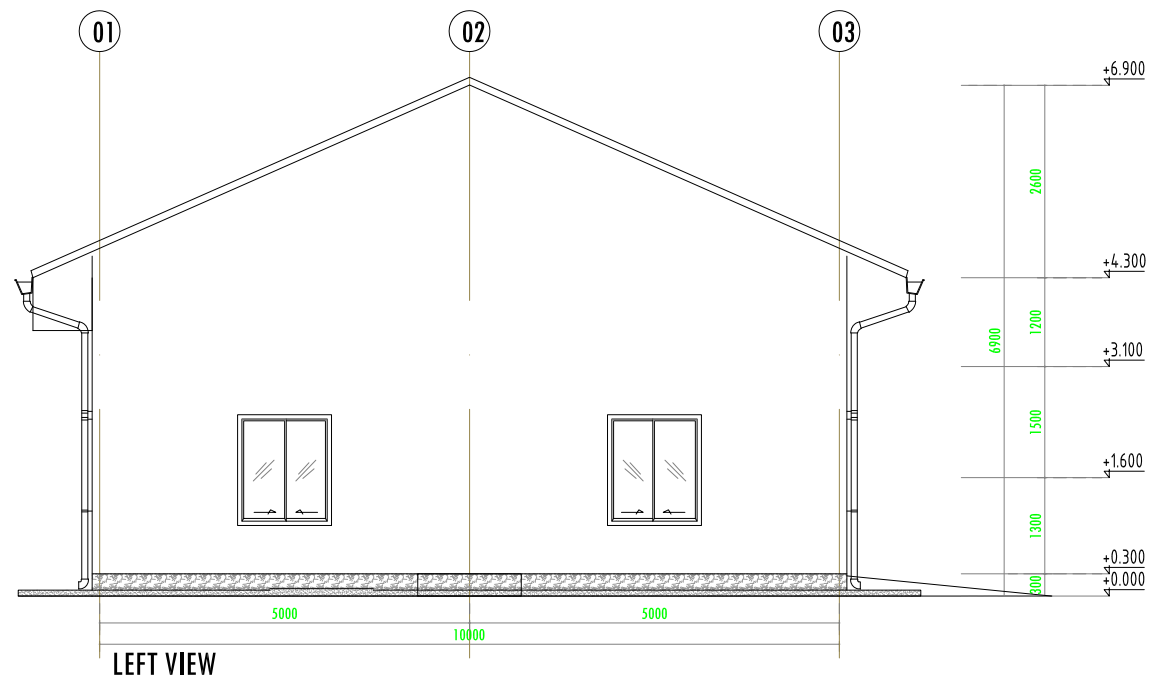
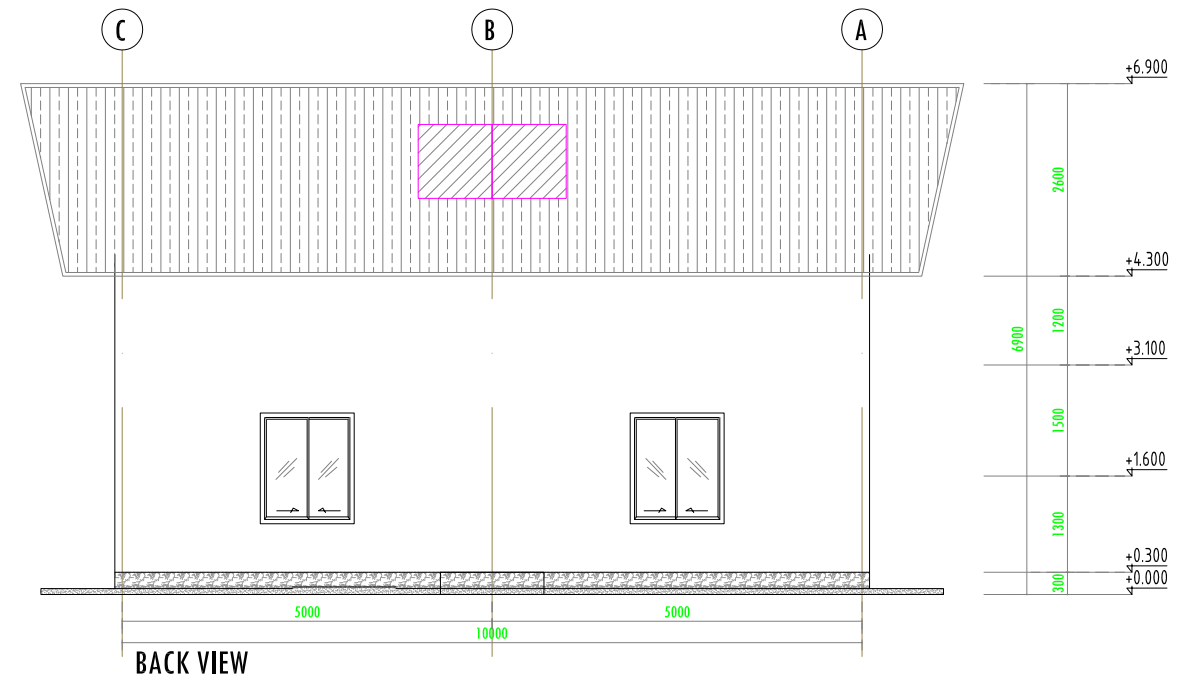
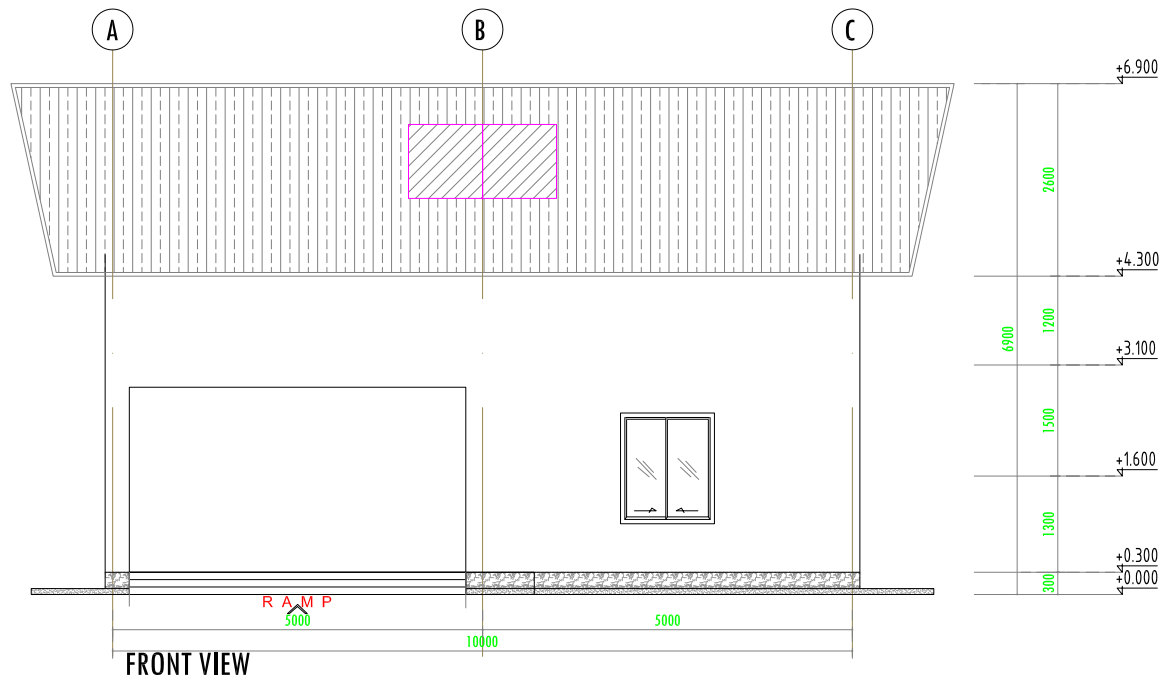


LAO PEOPLE'S DEMOCRATIC REPUBLIC (LAO PDR)
MINISTRY OF INFORMATION, CULTURE AND TOURISM

REV.	DATE	DESCRIPTION	DRN
R01	20.07.2020	PRELIMINARY ISSUE	

DESIGNED/DRAWN:
CHECKED:
APPROVED:

NAME OF PROJECT:		2ND GMS -TOURISM INFRASTRUCTURE FOR INCLUSIVE GROWTH	
		WORKS PACKAGE -TIIGP2-LAO-W04	
		Subproject V5: Vang Vieng Solid Waste Management Improvements	
TITLE:		INCINERATOR ROOM FLOOR & ROOF PLAN	SHEET NO.: 00 OF 00 SHEET SIZE: A3
DRAWING NO.:		RAM-LAO-DED-W04-A-06-1	SCALE: 1 : 100, 1: 150
REV:	R01	DATE:	JULY 2020



LEAD CONSULTANT :



Hannemanns Alle 53
DK-2300 København S
Tlf. +45 5161 1000
Fax +45 5161 1001
www.ramboll.dk

SUB-CONSULTANT:



Waste Concern Consultants
Level- 4, House No.- 120/B, (Masjid Road) Road- 7
New DOHS Mohakhali Dhaka- 1207, Bangladesh
Tlf. + 880-2-48810-841, + 880-2-48810-842
Fax. + 880-2- 9899-486, Email- office@wasteconcern.org
www.wasteconcern.org

CLIENT :

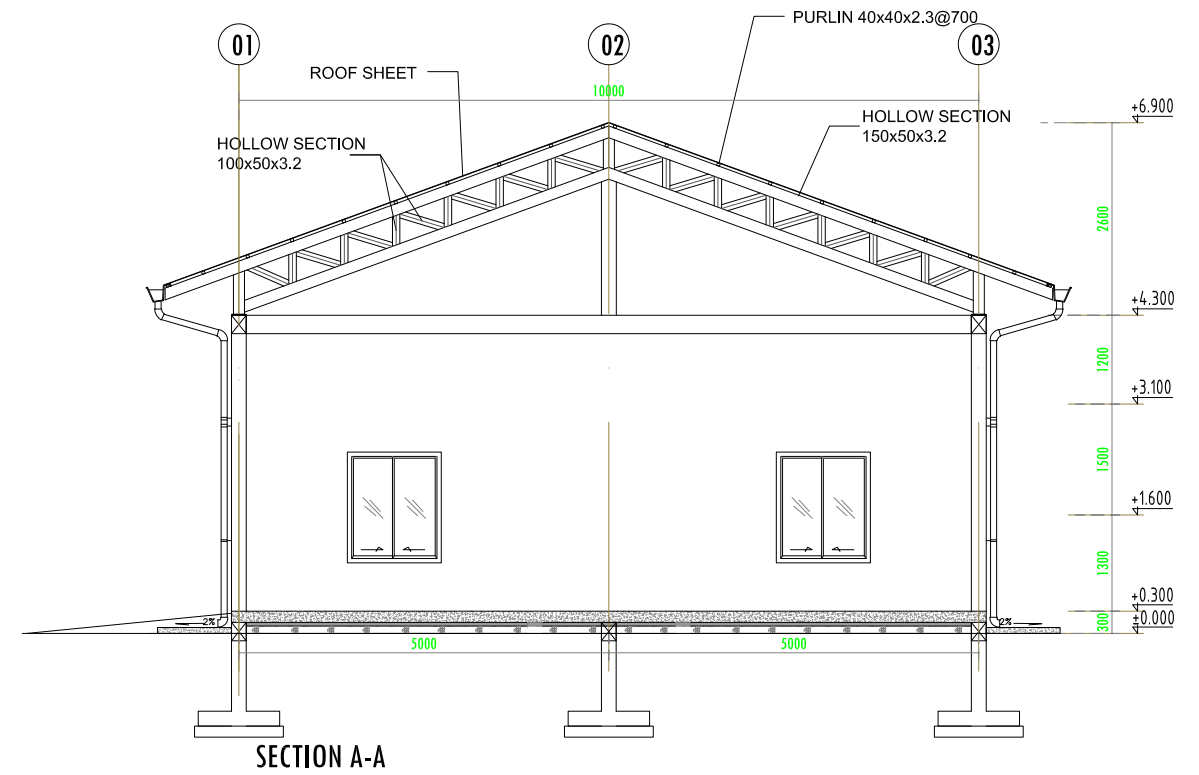
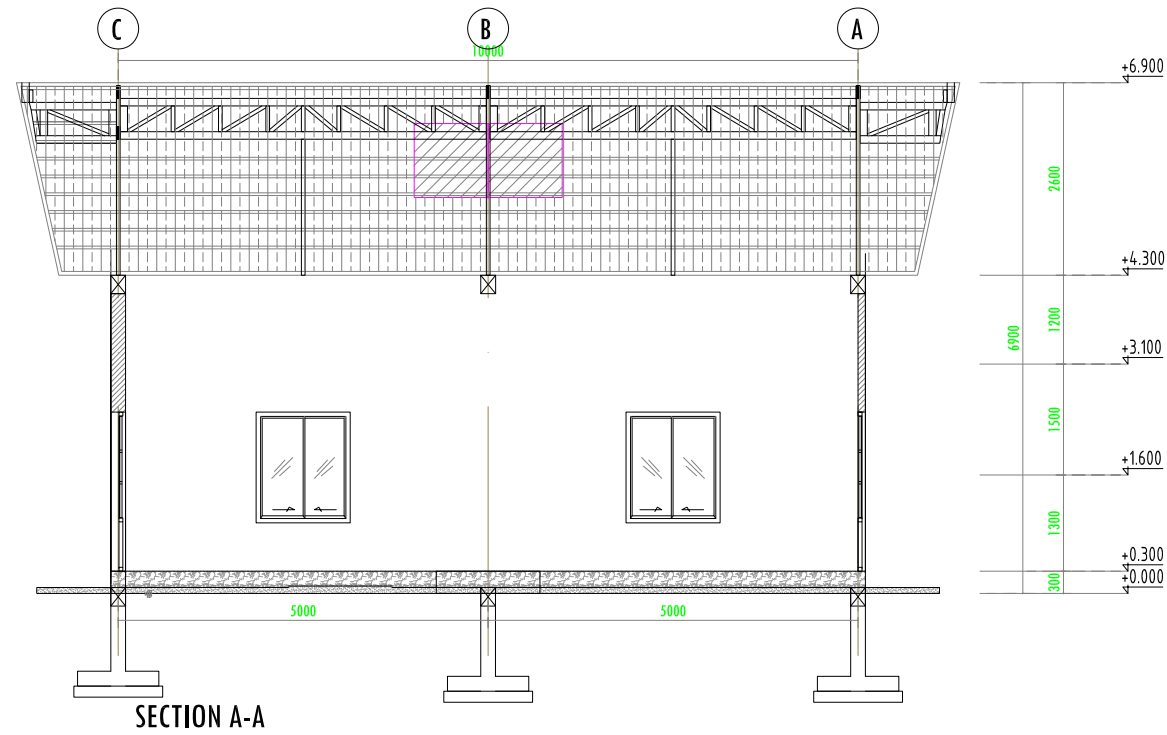


LAO PEOPLE'S DEMOCRATIC REPUBLIC (LAO PDR)
MINISTRY OF INFORMATION, CULTURE AND TOURISM

REV.	DATE	DESCRIPTION	DRN
R01	20.07.2020	PRELIMINARY ISSUE	

DESIGNED/DRAWN:
CHECKED:
APPROVED: *[Signature]*
MRITYUNJOY

NAME OF PROJECT: 2ND GMS -TOURISM INFRASTRUCTURE FOR INCLUSIVE GROWTH WORKS PACKAGE -TIIGP2-LAO-W04 Subproject V5: Vang Vieng Solid Waste Management Improvements		SHEET NO.: 00 OF 00	SHEET SIZE: A3
TITLE: INCINERATOR ROOM FACADES		SCALE: 1 : 80	
DRAWING NO.: RAM-LAO-DED-W04-A-06-2		REV: R01	DATE: JULY 2020



LEAD CONSULTANT :



Hannemanns Alle 53
DK-2300 København S
Tlf. +45 5161 1000
Fax +45 5161 1001
www.ramboll.dk

SUB-CONSULTANT:



Waste Concern Consultants
Level- 4, House No.- 120/B, (Masjid Road) Road- 7
New DOHS Mohakhali Dhaka- 1207, Bangladesh
Tlf. + 880-2-48810-841, + 880-2-48810-842
Fax. + 880-2- 9899-486, Email- office@wasteconcern.org
www.wasteconcern.org

CLIENT :



LAO PEOPLE'S DEMOCRATIC REPUBLIC (LAO PDR)
MINISTRY OF INFORMATION, CULTURE AND TOURISM

REV.	DATE	DESCRIPTION	DRN
R01	20.07.2020	PRELIMINARY ISSUE	

DESIGNED/DRAWN: /
CHECKED: /
APPROVED: *[Signature]*
MRITYUNJOY

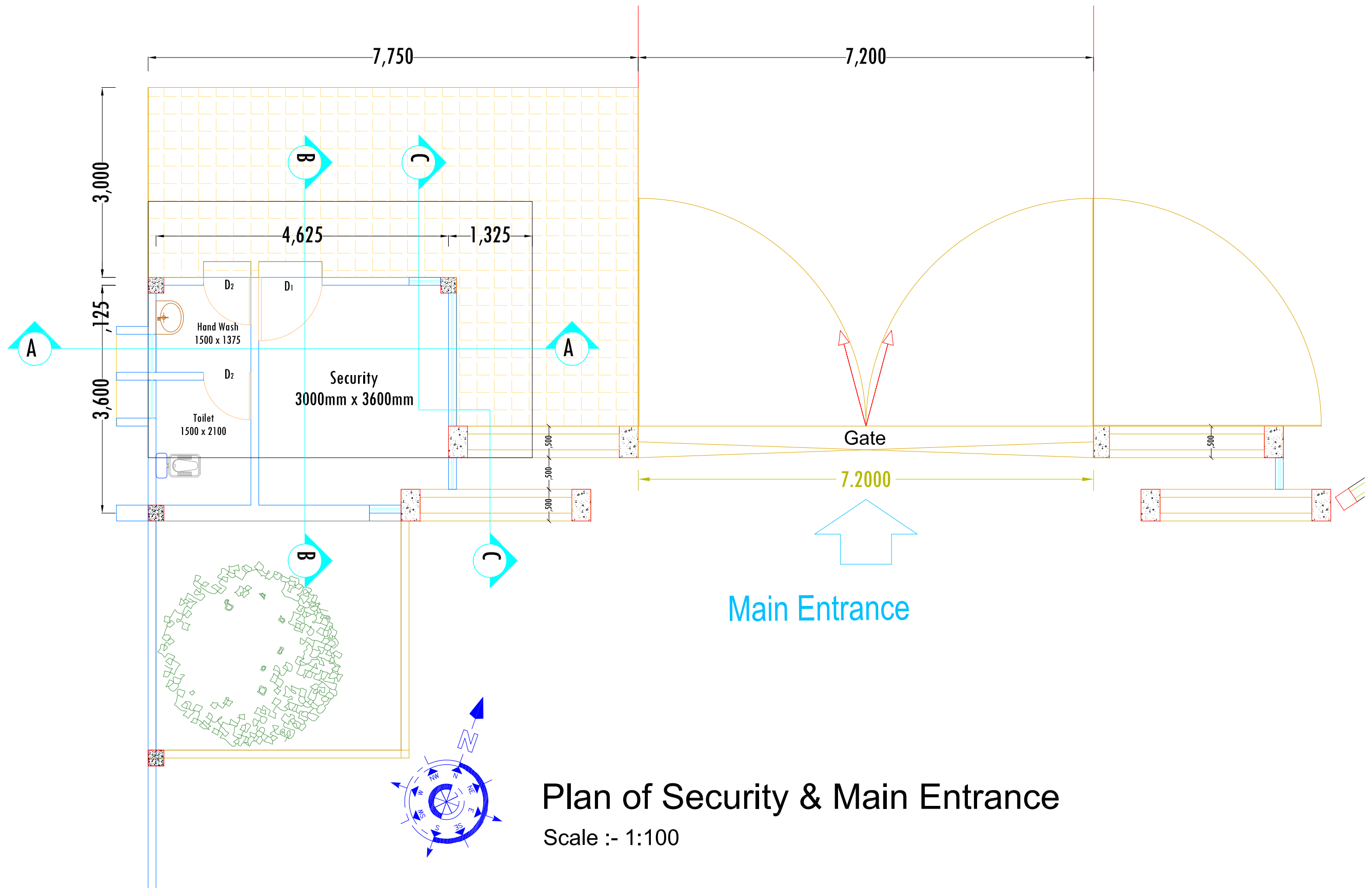
NAME OF PROJECT:
2ND GMS -TOURISM INFRASTRUCTURE FOR INCLUSIVE GROWTH
WORKS PACKAGE -TIIGP2-LAO-W04
Subproject V5: Vang Vieng Solid Waste Management Improvements

TITLE:
INCINERATOR ROOM CROSS SECTION

DRAWING NO.: RAM-LAO-DED-W04-A-06-3

SHEET NO.: 00 OF 00
SCALE: 1 : 80
SHEET SIZE: A3

REV: R01 DATE: JULY 2020



Plan of Security & Main Entrance

Scale :- 1:100

LEAD CONSULTANT :



Hannemanns Alle 53
DK-2300 København S
Tlf. +45 5161 1000
Fax +45 5161 1001
www.ramboll.dk

SUB-CONSULTANT:



Waste Concern Consultants
Level- 4, House No.- 120/B, (Masjid Road) Road- 7
New DOHS Mohakhali Dhaka- 1207, Bangladesh
Tlf. + 880-2-48810-841, + 880-2-48810-842
Fax. + 880-2- 9899-486, Email- office@wasteconcern.org
www.wasteconcern.org

CLIENT :

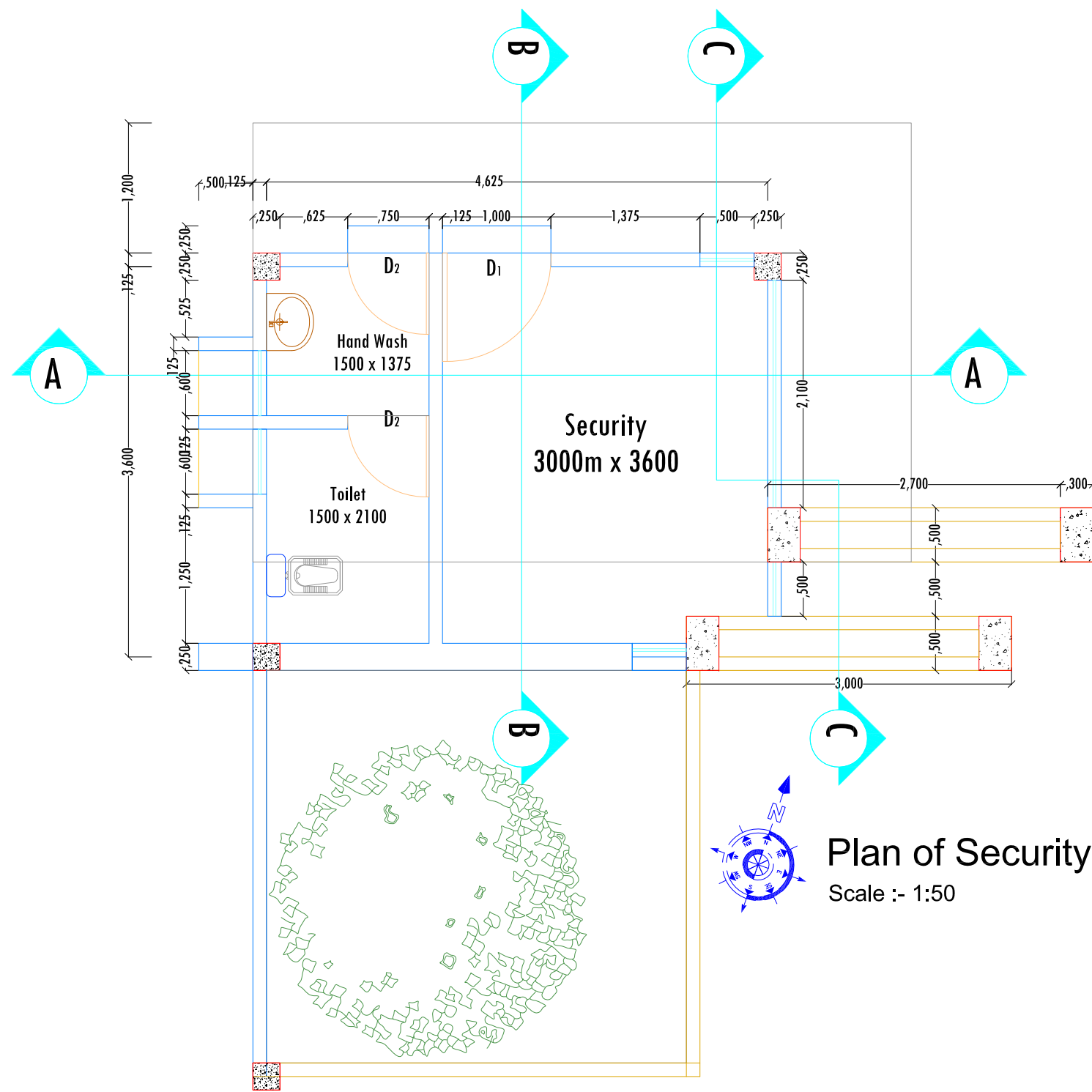


LAO PEOPLE'S DEMOCRATIC REPUBLIC (LAO PDR)
MINISTRY OF INFORMATION, CULTURE AND TOURISM

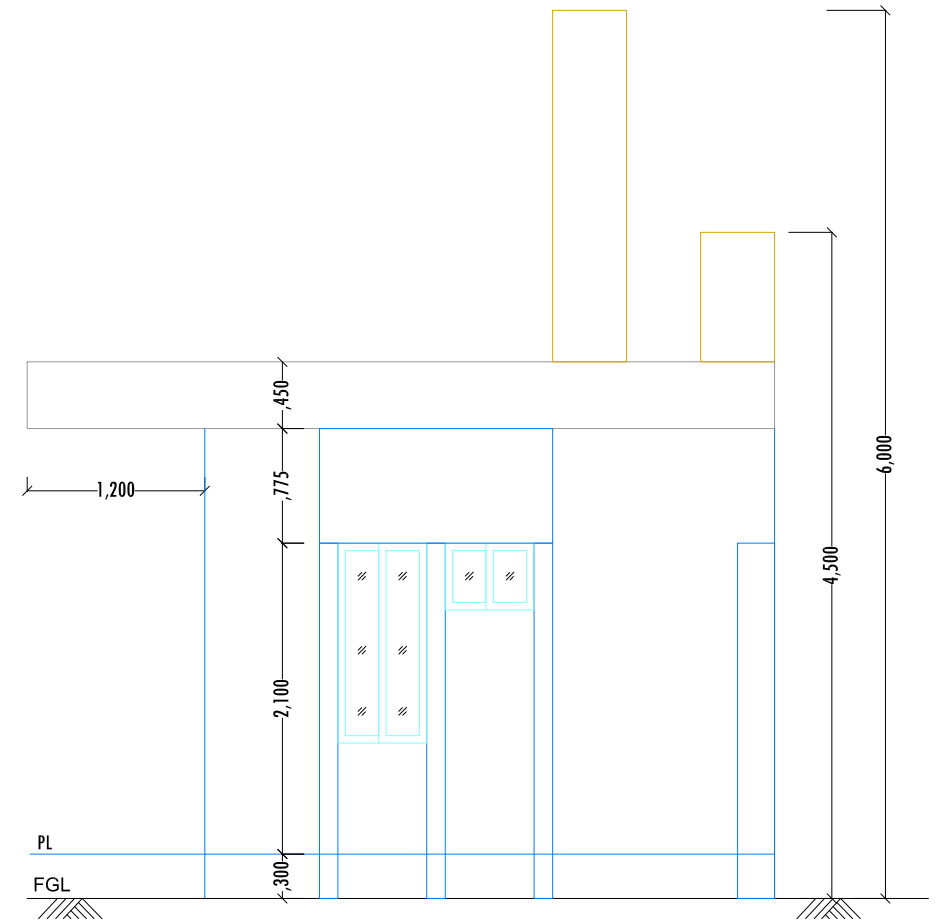
REV.	DATE	DESCRIPTION	DRN
R01	20.07.2020	PRELIMINARY ISSUE	

DESIGNED/DRAWN: /
CHECKED: /
APPROVED: *[Signature]*
MRITYUNJOY

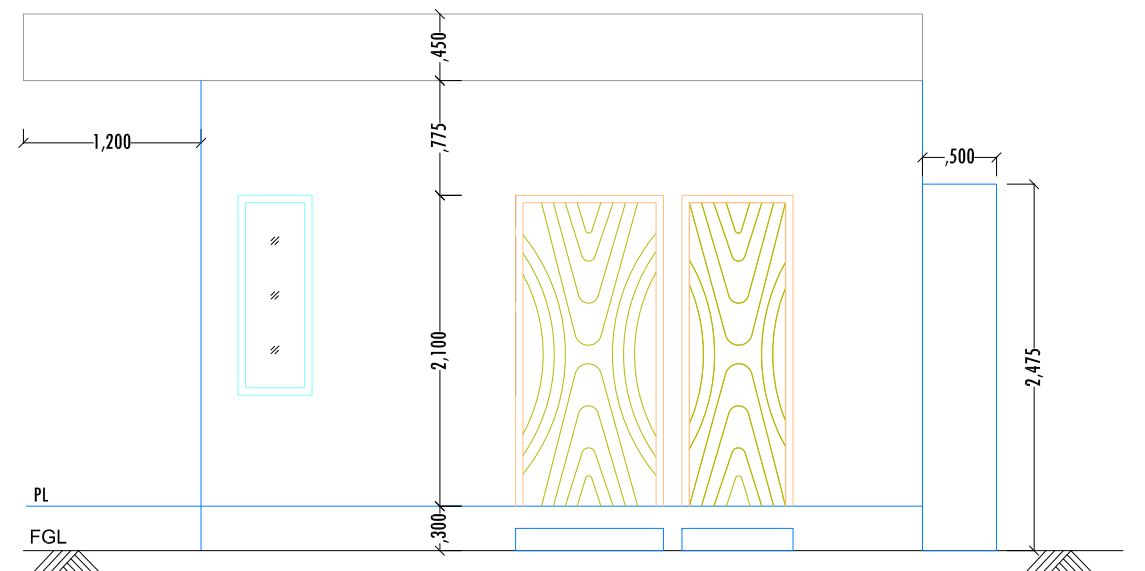
NAME OF PROJECT: 2ND GMS -TOURISM INFRASTRUCTURE FOR INCLUSIVE GROWTH WORKS PACKAGE -TIIGP2-LAO-W04 Subproject V5: Vang Vieng Solid Waste Management Improvements		SHEET NO.: 00 OF 00	SHEET SIZE: A3
TITLE: SECURITY ROOM & MAIN ENTRANCE- FLOOR PLAN		SCALE:	
DRAWING NO.: RAM-LAO-DED-W04-A-07-1	REV: R01	DATE: JULY 2020	



Plan of Security Room
Scale :- 1:50



West Elevation
Scale :- 1:50



North Elevation
Scale :- 1:50

LEAD CONSULTANT :



Hannemanns Alle 53
DK-2300 København S
Tlf. +45 5161 1000
Fax +45 5161 1001
www.ramboll.dk

SUB-CONSULTANT:



Waste Concern Consultants
Level- 4, House No.- 120/B, (Masjid Road) Road- 7
New DOHS Mohakhali Dhaka- 1207, Bangladesh
Tlf. + 880-2-48810-841, + 880-2-48810-842
Fax. + 880-2- 9899-486, Email- office@wasteconcern.org
www.wasteconcern.org

CLIENT :

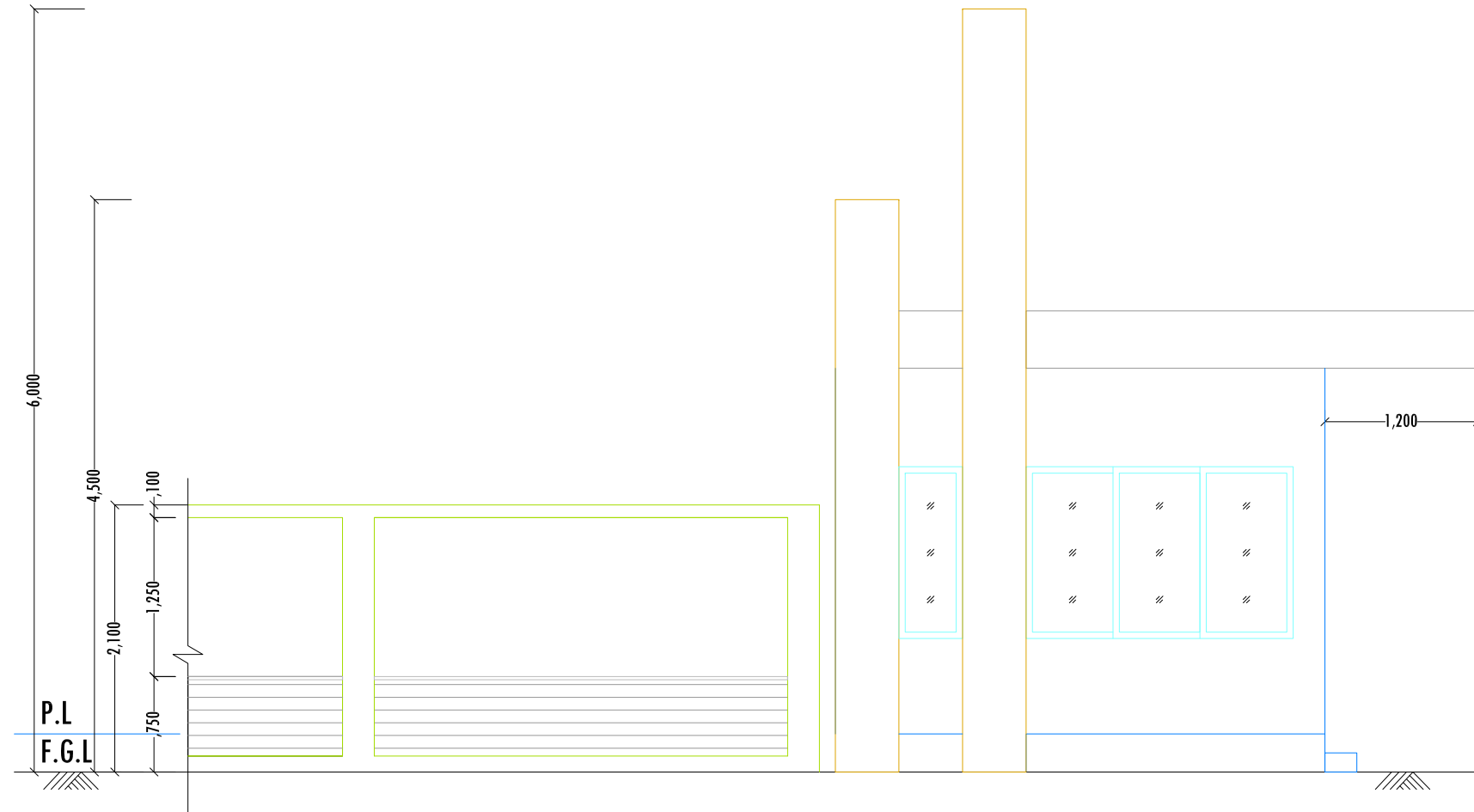


LAO PEOPLE'S DEMOCRATIC REPUBLIC (LAO PDR)
MINISTRY OF INFORMATION, CULTURE AND TOURISM

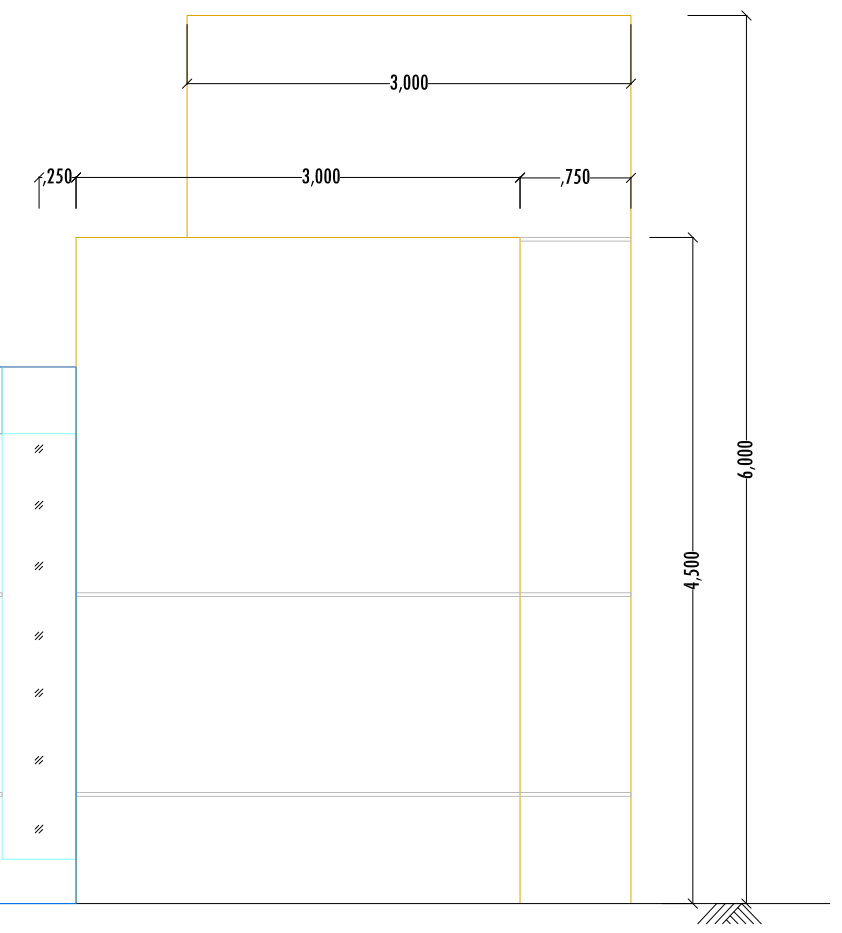
REV.	DATE	DESCRIPTION	DRN
R01	20.07.2020	PRELIMINARY ISSUE	

DESIGNED/DRAWN: /
CHECKED: /
APPROVED: /
MRITYUNJOY

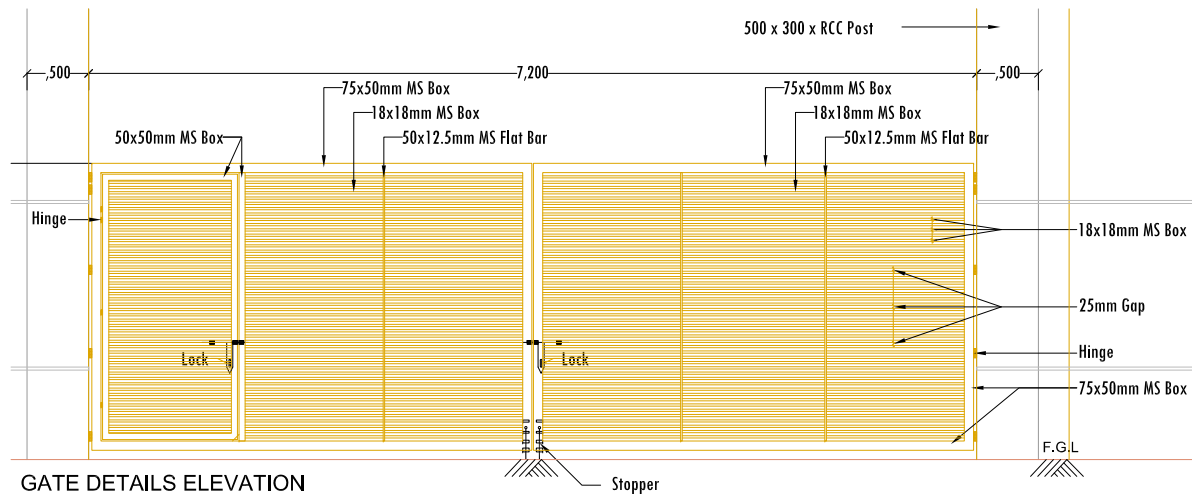
NAME OF PROJECT: 2ND GMS -TOURISM INFRASTRUCTURE FOR INCLUSIVE GROWTH WORKS PACKAGE -TIIGP2-LAO-W04		SHEET NO.: 00 OF 00	SHEET SIZE: A3
TITLE: Security Room & Main Entrance- Floor Plan & Elevation		SCALE:	
DRAWING NO.: RAM-LAO-DED-W04-A-07-2		REV: R01	DATE: JULY 2020



East Elevation
Scale :- 1:50



Front Elevation (South)
Scale :- 1:50



GATE DETAILS ELEVATION
Scale :- 1:100

LEAD CONSULTANT :



Hannemanns Alle'53
DK-2300 København S
Tlf. +45 5161 1000
Fax +45 5161 1001
www.ramboll.dk

SUB-CONSULTANT:



Waste Concern Consultants
Level- 4, House No.- 120/B, (Masjid Road) Road- 7
New DOHS Mohakhali Dhaka- 1207, Bangladesh
Tlf. + 880-2-48810-841, + 880-2-48810-842
Fax. + 880-2- 9899-486, Email- office@wasteconcern.org
www.wasteconcern.org

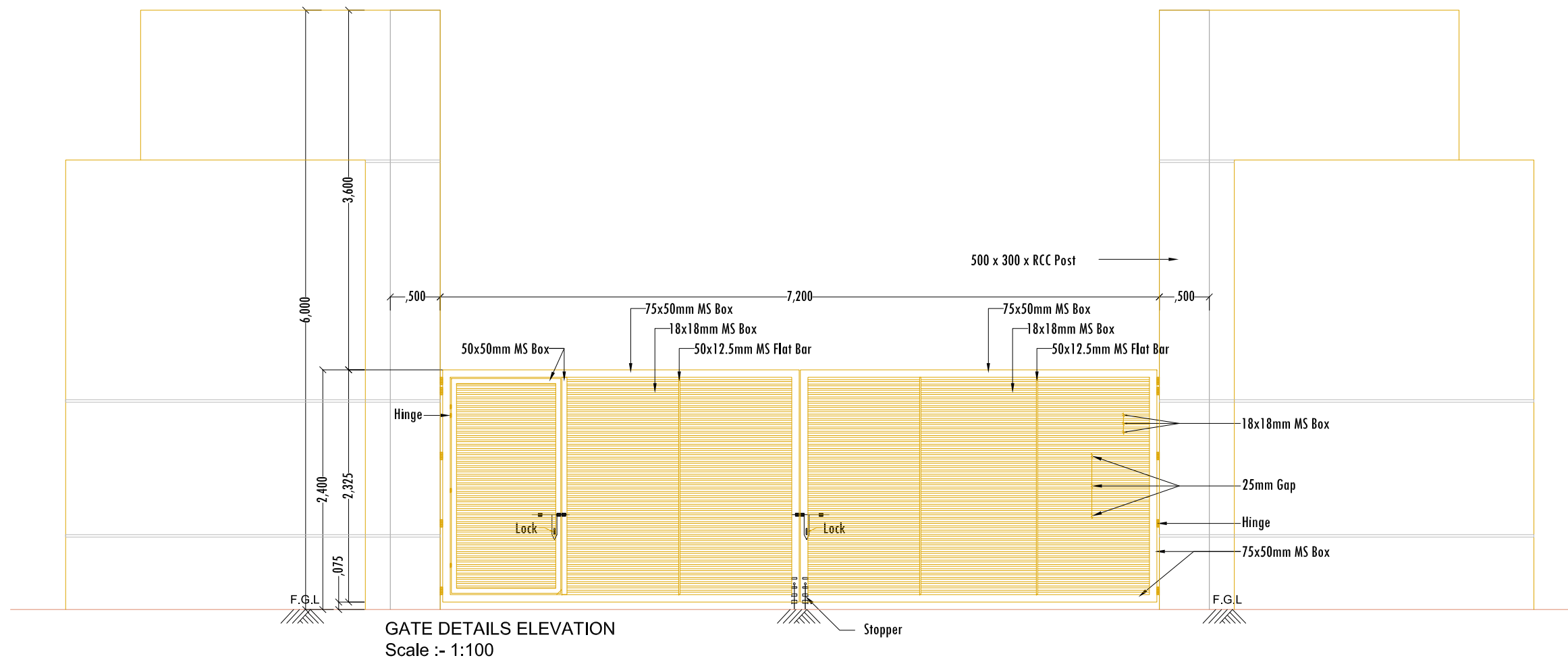
CLIENT :



LAO PEOPLE'S DEMOCRATIC REPUBLIC (LAO PDR)
MINISTRY OF INFORMATION, CULTURE AND TOURISM

DESIGNED/DRAWN:	
CHECKED:	
APPROVED:	<i>[Signature]</i>
REV.	DATE
R01	20.07.2020
	PRELIMINARY ISSUE
	DESCRIPTION
	DRN
	MRITYUNJOY

NAME OF PROJECT:		2ND GMS –TOURISM INFRASTRUCTURE FOR INCLUSIVE GROWTH	
		WORKS PACKAGE -TIIGP2-LAO-W04	
TITLE:		Subproject V5: Vang Vieng Solid Waste Management Improvements	
DRAWING NO.:		RAM-LAO-DED-W04-A-07-3	
SHEET NO.:	00	OF	00
SCALE: 1 : 100		SHEET SIZE:	A3
REV:	R01	DATE:	JULY 2020



LEAD CONSULTANT :



Hannemanns Alle 53
DK-2300 København S
Tlf. +45 5161 1000
Fax +45 5161 1001
www.ramboll.dk

SUB-CONSULTANT:



Waste Concern Consultants
Level- 4, House No.- 120/B, (Masjid Road) Road- 7
New DOHS Mohakhali Dhaka- 1207, Bangladesh
Tlf. + 880-2-48810-841, + 880-2-48810-842
Fax. + 880-2- 9899-486, Email- office@wasteconcern.org
www.wasteconcern.org

CLIENT :

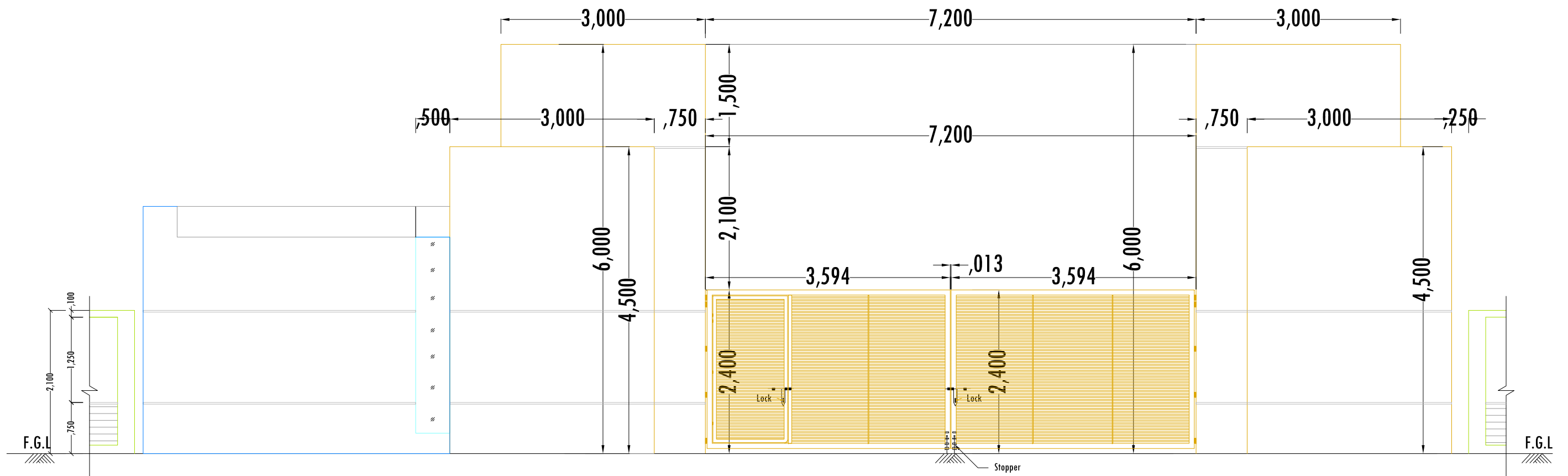


LAO PEOPLE'S DEMOCRATIC REPUBLIC (LAO PDR)
MINISTRY OF INFORMATION, CULTURE AND TOURISM

REV.	DATE	DESCRIPTION	DRN
R01	20.07.2020	PRELIMINARY ISSUE	

DESIGNED/DRAWN: /...
CHECKED: /...
APPROVED: *[Signature]*
MRITYUNJOY

NAME OF PROJECT: 2ND GMS -TOURISM INFRASTRUCTURE FOR INCLUSIVE GROWTH WORKS PACKAGE -TIIGP2-LAO-W04 Subproject V5: Vang Vieng Solid Waste Management Improvements		SHEET NO.: 00 OF 00	SHEET SIZE: A3
TITLE: MAIN ENTRANCE- ELEVATION		SCALE:	
DRAWING NO.: RAM-LAO-DED-W04-A-07-4		REV: R01	DATE: JULY 2020



Front Elevation

Scale :- 1:100

LEAD CONSULTANT :



Hannemanns Alle 53
DK-2300 København S
Tlf. +45 5161 1000
Fax +45 5161 1001
www.ramboll.dk

SUB-CONSULTANT:



Waste Concern Consultants
Level- 4, House No.- 120/B, (Masjid Road) Road- 7
New DOHS Mohakhali Dhaka- 1207, Bangladesh
Tlf. + 880-2-48810-841, + 880-2-48810-842
Fax. + 880-2- 9899-486, Email- office@wasteconcern.org
www.wasteconcern.org

CLIENT :

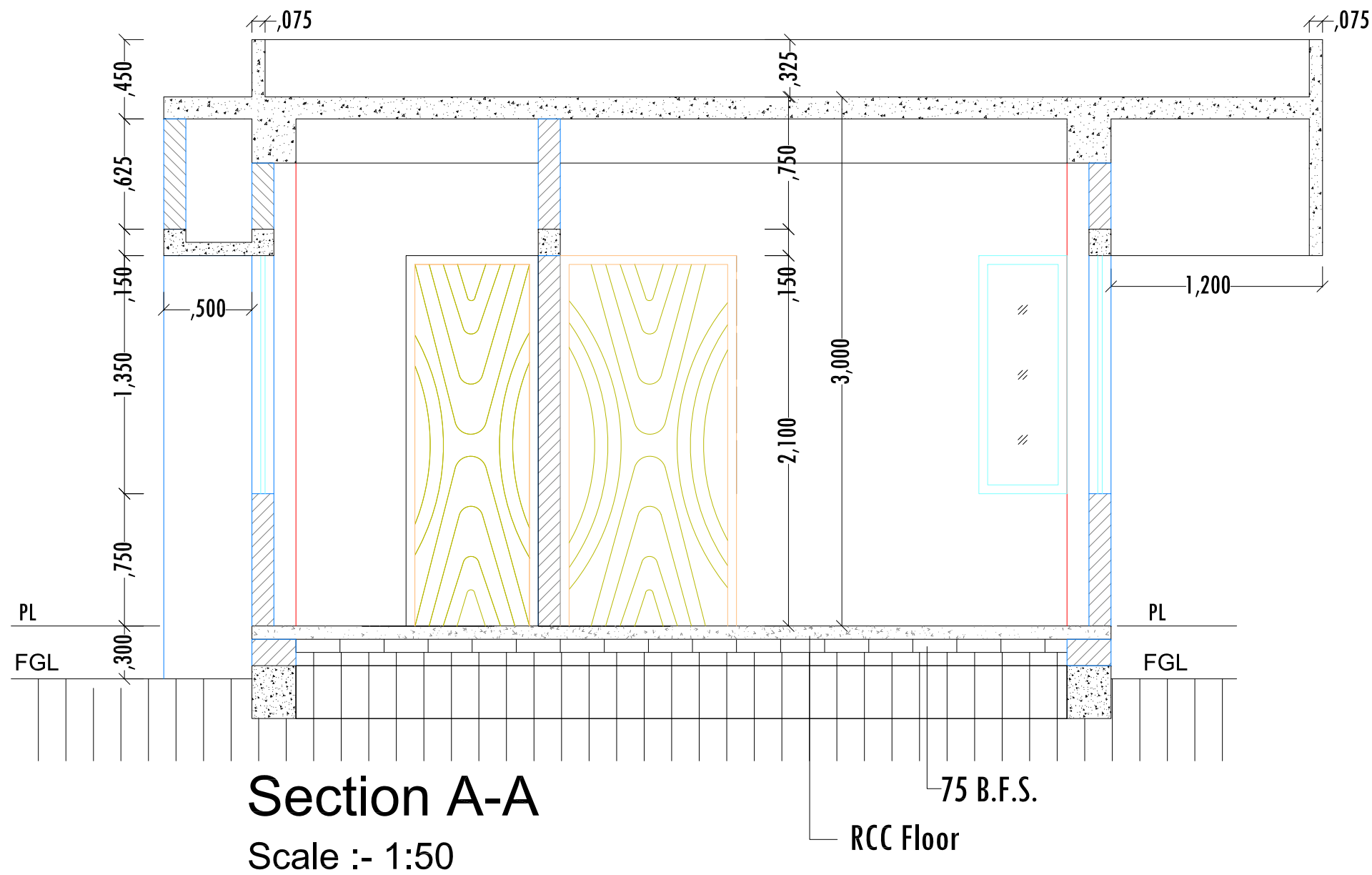


LAO PEOPLE'S DEMOCRATIC REPUBLIC (LAO PDR)
MINISTRY OF INFORMATION, CULTURE AND TOURISM

REV.	DATE	DESCRIPTION	DRN
R01	20.07.2020	PRELIMINARY ISSUE	

DESIGNED/DRAWN: /...
CHECKED: /...
APPROVED: *[Signature]*
MRITYUNJOY

NAME OF PROJECT:
2ND GMS -TOURISM INFRASTRUCTURE FOR INCLUSIVE GROWTH
WORKS PACKAGE -TIIGP2-LAO-W04
Subproject V5: Vang Vieng Solid Waste Management Improvements
TITLE: MAIN ENTRANCE- ELEVATION
DRAWING NO.: RAM-LAO-DED-W04-A-07-5
SHEET NO.: 00 OF 00
SHEET SIZE: A3
SCALE:
REV: R01 DATE: JULY 2020



LEAD CONSULTANT :



Hannemanns Alle 53
DK-2300 København S
Tlf. +45 5161 1000
Fax +45 5161 1001
www.ramboll.dk

SUB-CONSULTANT:



Waste Concern Consultants
Level- 4, House No.- 120/B, (Masjid Road) Road- 7
New DOHS Mohakhali Dhaka- 1207, Bangladesh
Tlf. + 880-2-48810-841, + 880-2-48810-842
Fax. + 880-2- 9899-486, Email- office@wasteconcern.org
www.wasteconcern.org

CLIENT :



LAO PEOPLE'S DEMOCRATIC REPUBLIC (LAO PDR)
MINISTRY OF INFORMATION, CULTURE AND TOURISM

REV.	DATE	DESCRIPTION	DRN
R01	20.07.2020	PRELIMINARY ISSUE	

DESIGNED/DRAWN:

CHECKED:

APPROVED:

MRITYUNJOY

NAME OF PROJECT:

2ND GMS -TOURISM INFRASTRUCTURE FOR INCLUSIVE GROWTH

WORKS PACKAGE -TIIGP2-LAO-W04

Subproject V5: Vang Vieng Solid Waste Management Improvements

TITLE: SECURITY ROOM & MAIN ENTRANCE-SECTION

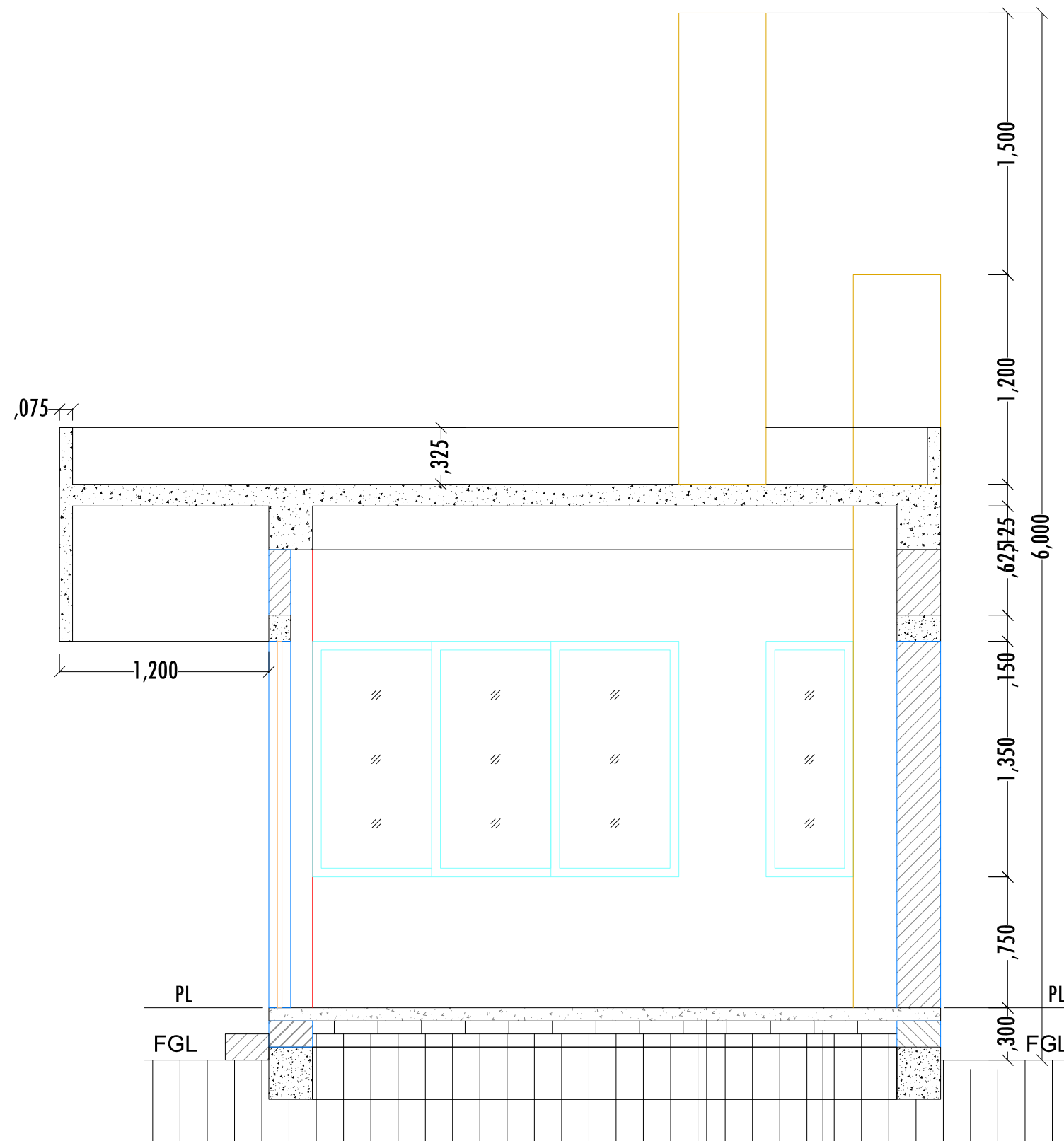
DRAWING NO.: RAM-LAO-DED-W04-A-07-6

REV: R01 DATE: JULY 2020

SHEET NO.: 00 OF 00

SCALE:

SHEET SIZE: A3



Section B-B

Scale :- 1:50

75 B.F.S.
RCC Floor

LEAD CONSULTANT :



Hannemanns Alle 53
DK-2300 København S
Tlf. +45 5161 1000
Fax +45 5161 1001
www.ramboll.dk

SUB-CONSULTANT:



Waste Concern Consultants
Level- 4, House No.- 120/B, (Masjid Road) Road- 7
New DOHS Mohakhali Dhaka- 1207, Bangladesh
Tlf. + 880-2-48810-841, + 880-2-48810-842
Fax. + 880-2- 9899-486, Email- office@wasteconcern.org
www.wasteconcern.org

CLIENT :

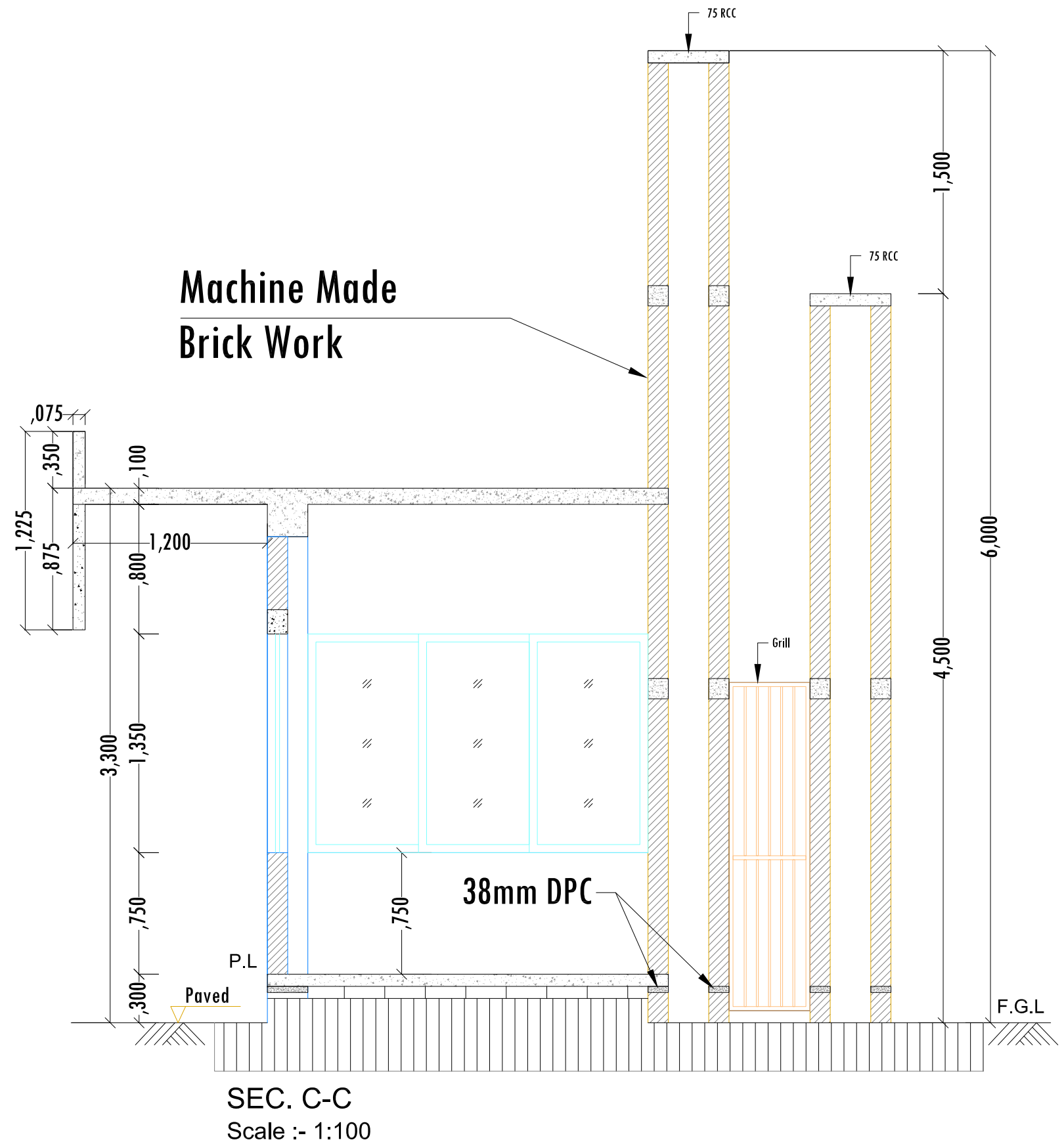
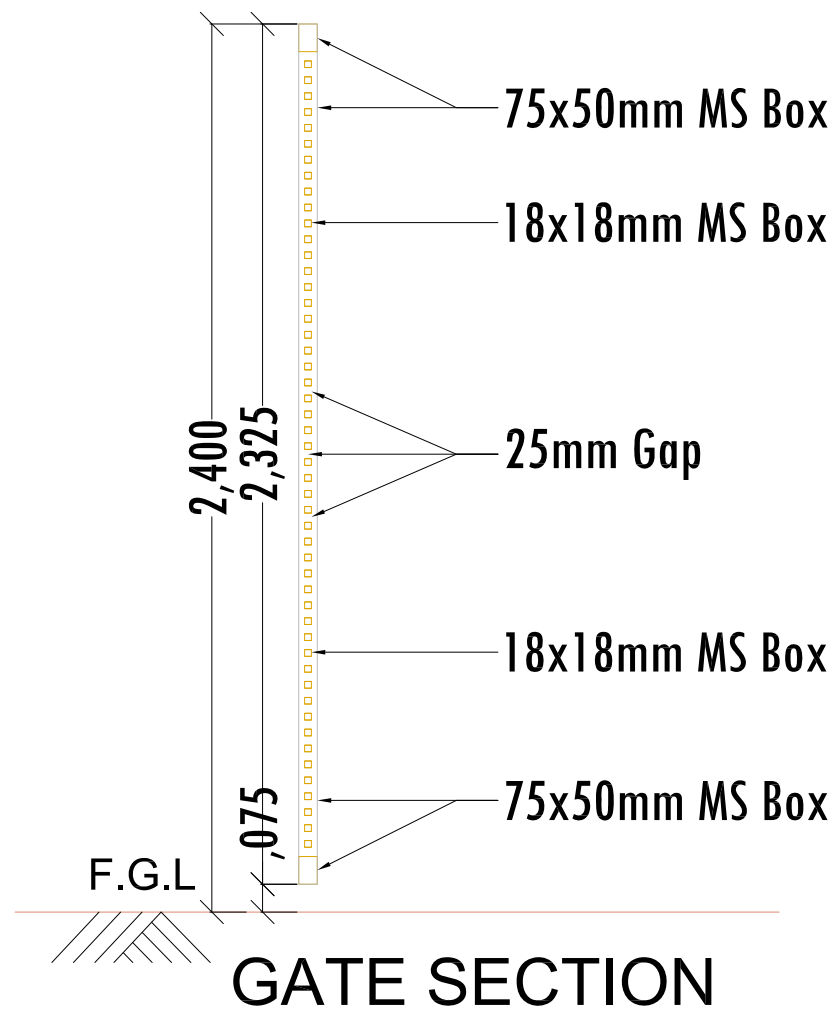


LAO PEOPLE'S DEMOCRATIC REPUBLIC (LAO PDR)
MINISTRY OF INFORMATION, CULTURE AND TOURISM

REV.	DATE	DESCRIPTION	DRN
R01	20.07.2020	PRELIMINARY ISSUE	

DESIGNED/DRAWN:
CHECKED:
APPROVED:

NAME OF PROJECT: 2ND GMS -TOURISM INFRASTRUCTURE FOR INCLUSIVE GROWTH WORKS PACKAGE -TIIGP2-LAO-W04 Subproject V5: Vang Vieng Solid Waste Management Improvements		SHEET NO.:	SHEET SIZE:
TITLE: SECURITY ROOM & MAIN ENTRANCE- SECTION		00 OF 00	A3
DRAWING NO.: RAM-LAO-DED-W04-A-07-7		REV:	DATE:
		R01	JULY 2020



LEAD CONSULTANT :



Hannemanns Alle 53
DK-2300 København S
Tlf. +45 5161 1000
Fax +45 5161 1001
www.ramboll.dk

SUB-CONSULTANT:



Waste Concern Consultants
Level- 4, House No.- 120/B, (Masjid Road) Road- 7
New DOHS Mohakhali Dhaka- 1207, Bangladesh
Tlf. + 880-2-48810-841, + 880-2-48810-842
Fax. + 880-2- 9899-486, Email- office@wasteconcern.org
www.wasteconcern.org

CLIENT :

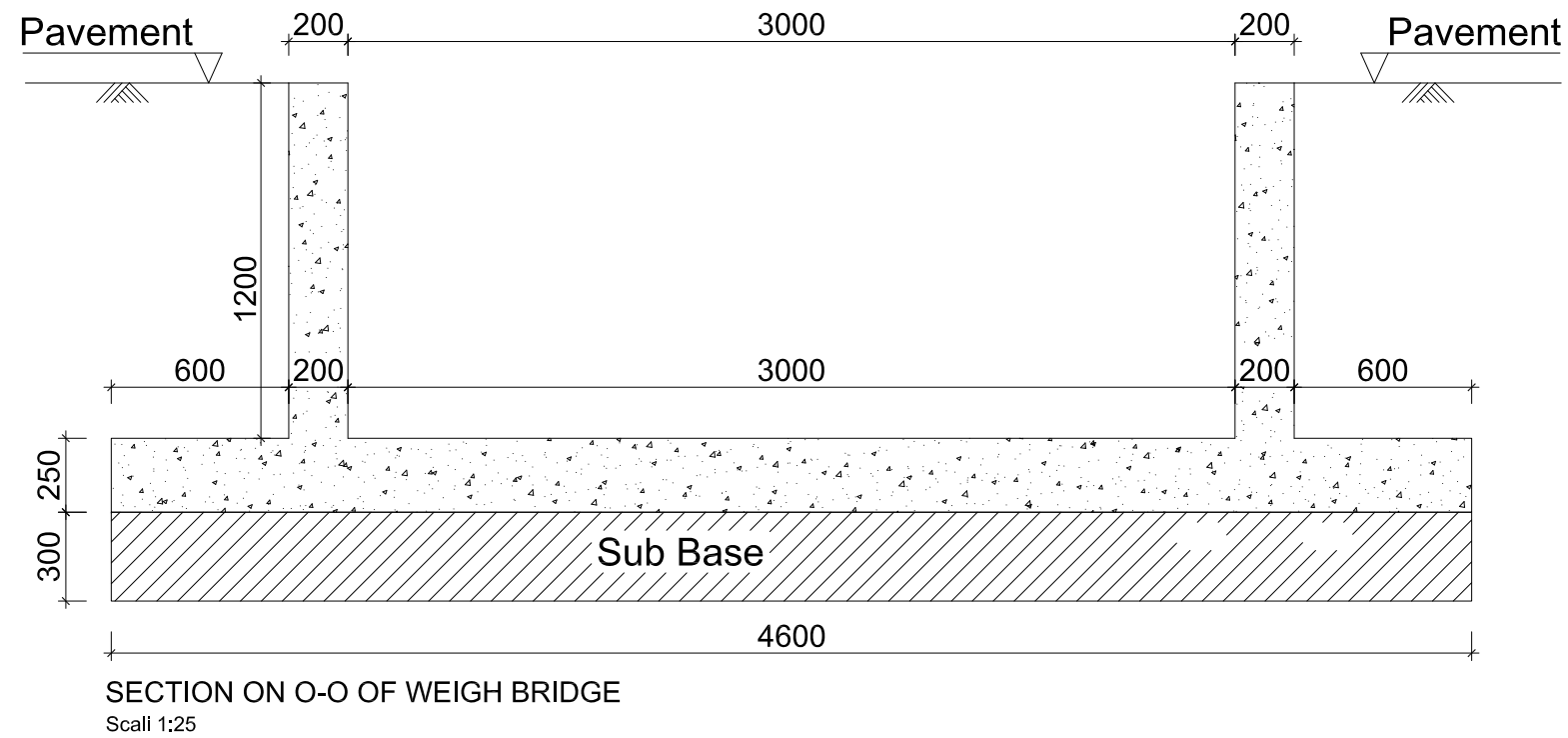
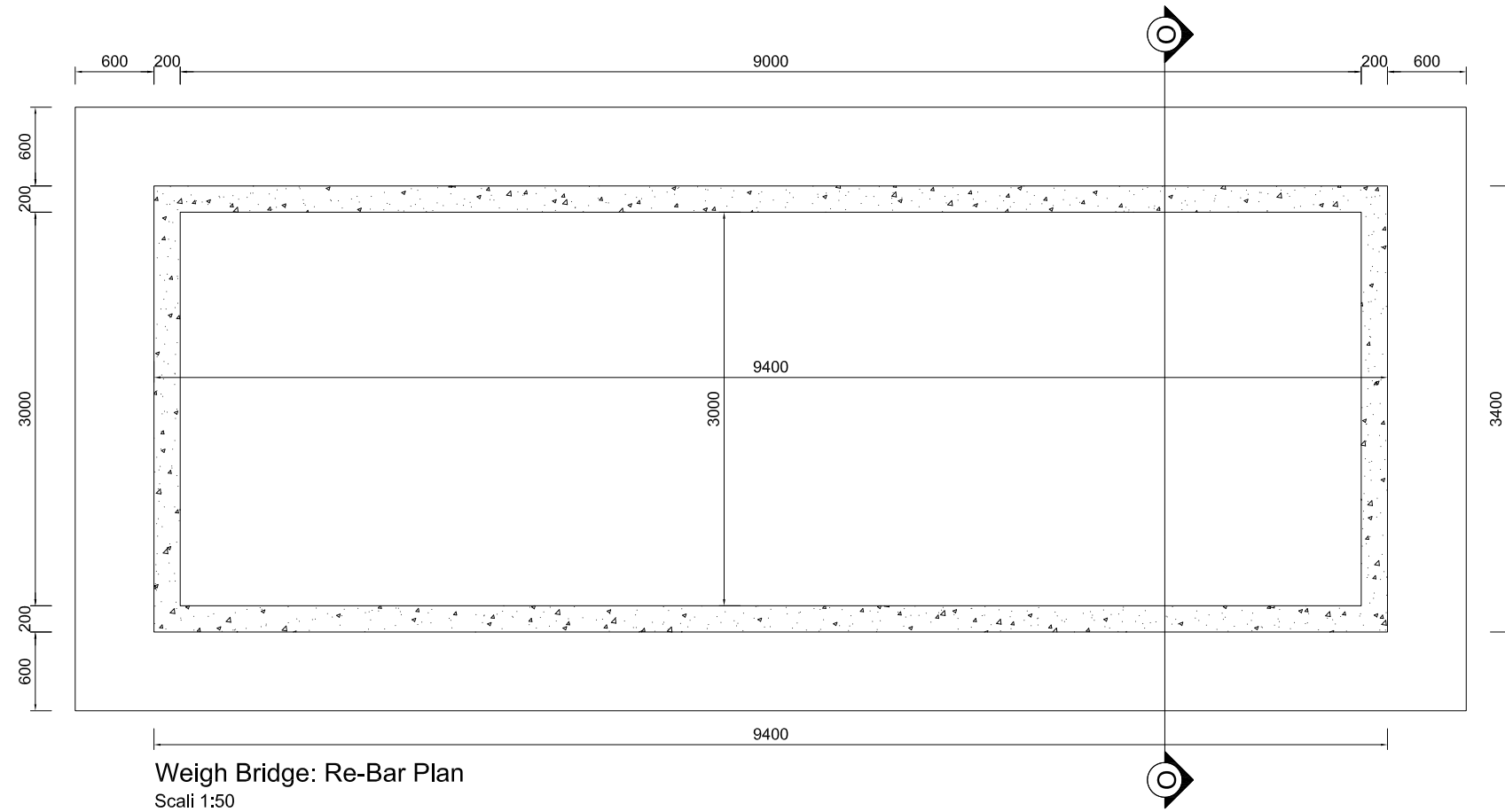


LAO PEOPLE'S DEMOCRATIC REPUBLIC (LAO PDR)
MINISTRY OF INFORMATION, CULTURE AND TOURISM

REV.	DATE	DESCRIPTION	DRN
R01	20.07.2020	PRELIMINARY ISSUE	

DESIGNED/DRAWN:	
CHECKED:	
APPROVED:	

NAME OF PROJECT: 2ND GMS -TOURISM INFRASTRUCTURE FOR INCLUSIVE GROWTH WORKS PACKAGE -TIIGP2-LAO-W04 Subproject V5: Vang Vieng Solid Waste Management Improvements		SHEET NO.:	SHEET SIZE:
TITLE: SECURITY ROOM & MAIN ENTRANCE-SECTION		00 OF 00	A3
DRAWING NO.: RAM-LAO-DED-W04-A-07-8		SCALE:	
REV:	DATE:		
R01	JULY 2020		



LEAD CONSULTANT :



Hannemanns Alle 53
DK-2300 København S
Tlf. +45 5161 1000
Fax +45 5161 1001
www.ramboll.dk

SUB-CONSULTANT:



Waste Concern Consultants
Level- 4, House No.- 120/B, (Masjid Road) Road- 7
New DOHS Mohakhali Dhaka- 1207, Bangladesh
Tlf. + 880-2-48810-841, + 880-2-48810-842
Fax. + 880-2- 9899-486, Email- office@wasteconcern.org
www.wasteconcern.org

CLIENT :

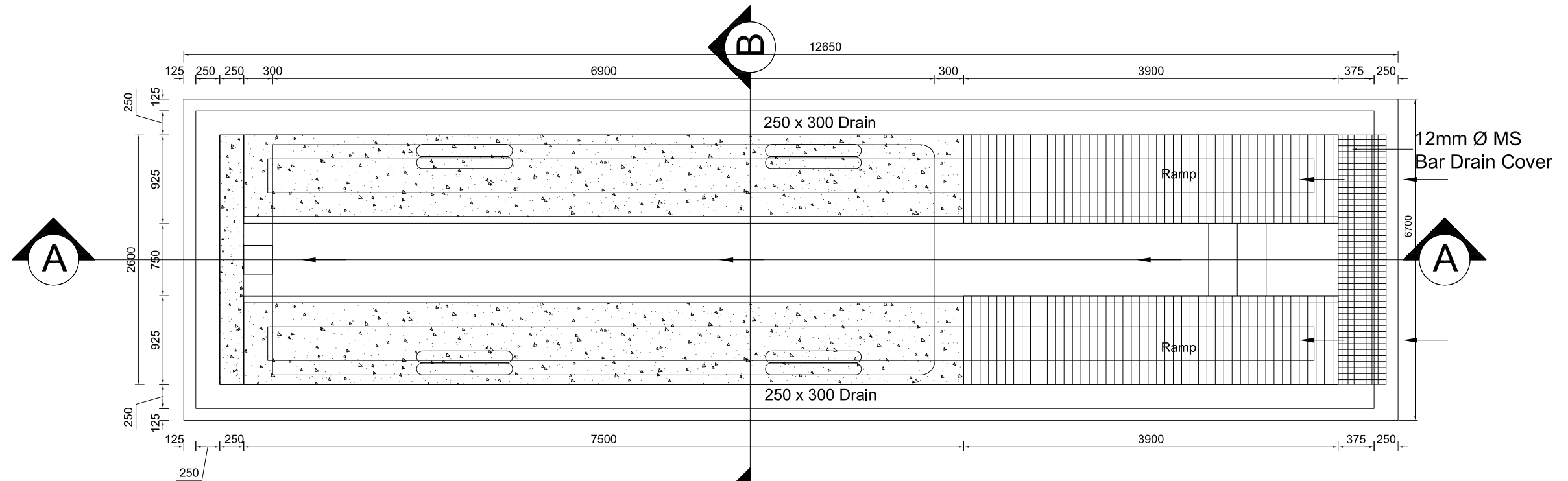


LAO PEOPLE'S DEMOCRATIC REPUBLIC (LAO PDR)
MINISTRY OF INFORMATION, CULTURE AND TOURISM

REV.	DATE	DESCRIPTION	DRN
R01	20.07.2020	PRELIMINARY ISSUE	

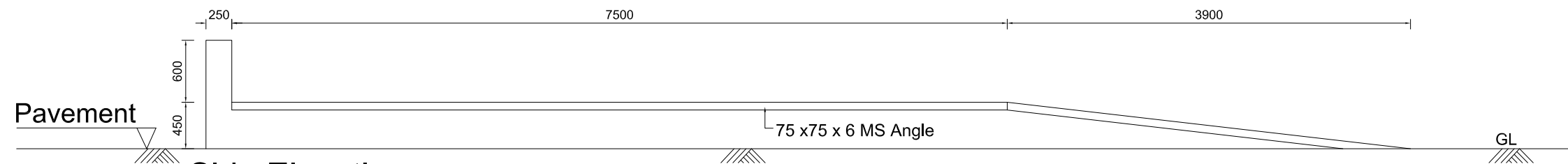
DESIGNED/DRAWN: _____
CHECKED: _____
APPROVED: _____

NAME OF PROJECT: 2ND GMS –TOURISM INFRASTRUCTURE FOR INCLUSIVE GROWTH WORKS PACKAGE -TIIGP2-LAO-W04 Subproject V5: Vang Vieng Solid Waste Management Improvements		SHEET NO.: 00 OF 00	SHEET SIZE: A3
TITLE: WEIGH BRIDGE: RE-BAR PLAN		SCALE:	
DRAWING NO.: RAM-LAO-DED-W04-A-08		REV: R01	DATE: JULY 2020



Vehicle Washing Ramp: Plan

Scale :- 1:50



Side Elevation

Scale :- 1:50

LEAD CONSULTANT :



Hannemanns Alle 53
DK-2300 København S
Tlf. +45 5161 1000
Fax +45 5161 1001
www.ramboll.dk

SUB-CONSULTANT:



Waste Concern Consultants

Level- 4, House No.- 120/B, (Masjid Road) Road- 7
New DOHS Mohakhali Dhaka- 1207, Bangladesh
Tlf. + 880-2-48810-841, + 880-2-48810-842
Fax. + 880-2- 9899-486, Email- office@wasteconcern.org
www.wasteconcern.org

CLIENT :



LAO PEOPLE'S DEMOCRATIC REPUBLIC (LAO PDR)
MINISTRY OF INFORMATION, CULTURE AND TOURISM

REV.	DATE	DESCRIPTION	DRN
R01	20.07.2020	PRELIMINARY ISSUE	

DESIGNED/DRAWN:

CHECKED:

APPROVED:

NAME OF PROJECT:
2ND GMS -TOURISM INFRASTRUCTURE FOR INCLUSIVE GROWTH
WORKS PACKAGE -TIIGP2-LAO-W04

Subproject V5: Vang Vieng Solid Waste Management Improvements

TITLE:
Vehicle Washing Ramp: Plan & Elevation

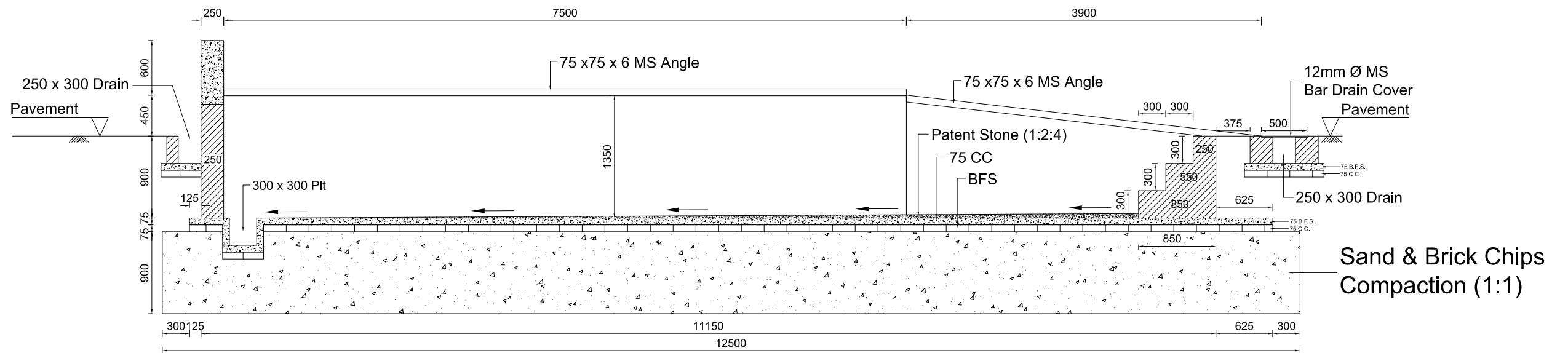
DRAWING NO.: RAM-LAO-DED-W04-A-09-1

SHEET NO.: 00 OF 00

SHEET SIZE: A3

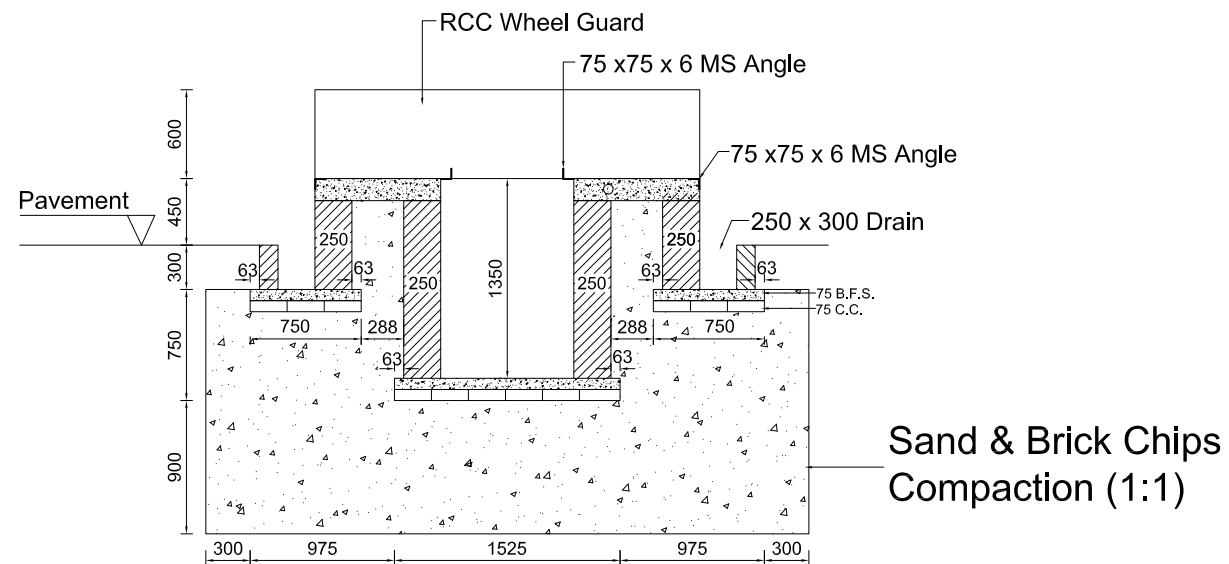
SCALE:

REV: R01 DATE: JULY 2020



Sec. A-A

Scale :- 1:50



Sec. B-B

Scale :- 1:50

LEAD CONSULTANT :



Hannemanns Alle 53
DK-2300 København S
Tlf. +45 5161 1000
Fax +45 5161 1001
www.ramboll.dk

SUB-CONSULTANT:



Waste Concern Consultants
Level- 4, House No.- 120/B, (Masjid Road) Road- 7
New DOHS Mohakhali Dhaka- 1207, Bangladesh
Tlf. + 880-2-48810-841, + 880-2-48810-842
Fax. + 880-2- 9899-486, Email- office@wasteconcern.org
www.wasteconcern.org

CLIENT :

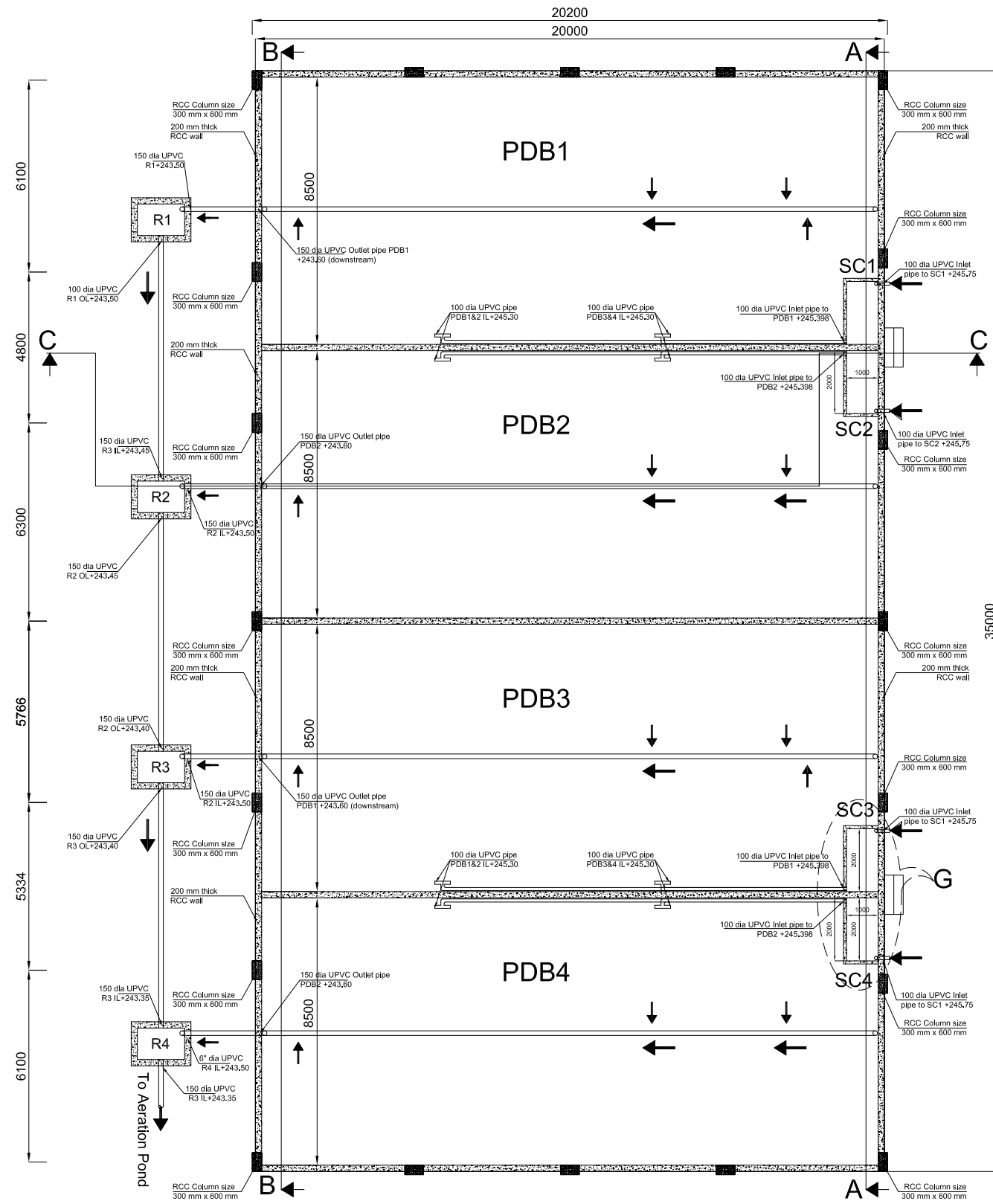


LAO PEOPLE'S DEMOCRATIC REPUBLIC (LAO PDR)
MINISTRY OF INFORMATION, CULTURE AND TOURISM

REV.	DATE	DESCRIPTION	DRN
R01	20.07.2020	PRELIMINARY ISSUE	

DESIGNED/DRAWN:	
CHECKED:	
APPROVED:	

NAME OF PROJECT: 2ND GMS -TOURISM INFRASTRUCTURE FOR INCLUSIVE GROWTH WORKS PACKAGE -TIIG2-LAO-W04		SHEET NO.:	SHEET SIZE:
Subproject V5: Vang Vieng Solid Waste Management Improvements		00 OF 00	A3
TITLE: Vehicle Washing Ramp: Section - A-A & B-B		SCALE:	
DRAWING NO.: RAM-LAO-DED-W04-A-09-2		REV:	DATE:
		R01	JULY 2020



Sectional Plan of
Planted Drying Bed (PDB)
Scale :- 1:175

LEAD CONSULTANT :



Hannemanns Alle 53
DK-2300 København S
Tlf. +45 5161 1000
Fax +45 5161 1001
www.ramboll.dk

SUB-CONSULTANT:



Waste Concern Consultants
Level- 4, House No.- 120/B, (Masjid Road) Road- 7
New DOHS Mohakhali Dhaka- 1207, Bangladesh
Tlf. + 880-2-48810-841, + 880-2-48810-842
Fax. + 880-2- 9899-486, Email- office@wasteconcern.org
www.wasteconcern.org

CLIENT :

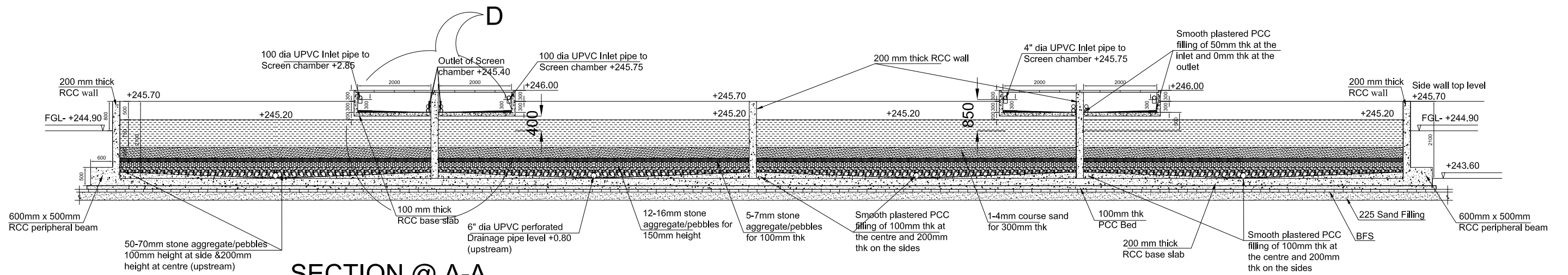


LAO PEOPLE'S DEMOCRATIC REPUBLIC (LAO PDR)
MINISTRY OF INFORMATION, CULTURE AND TOURISM

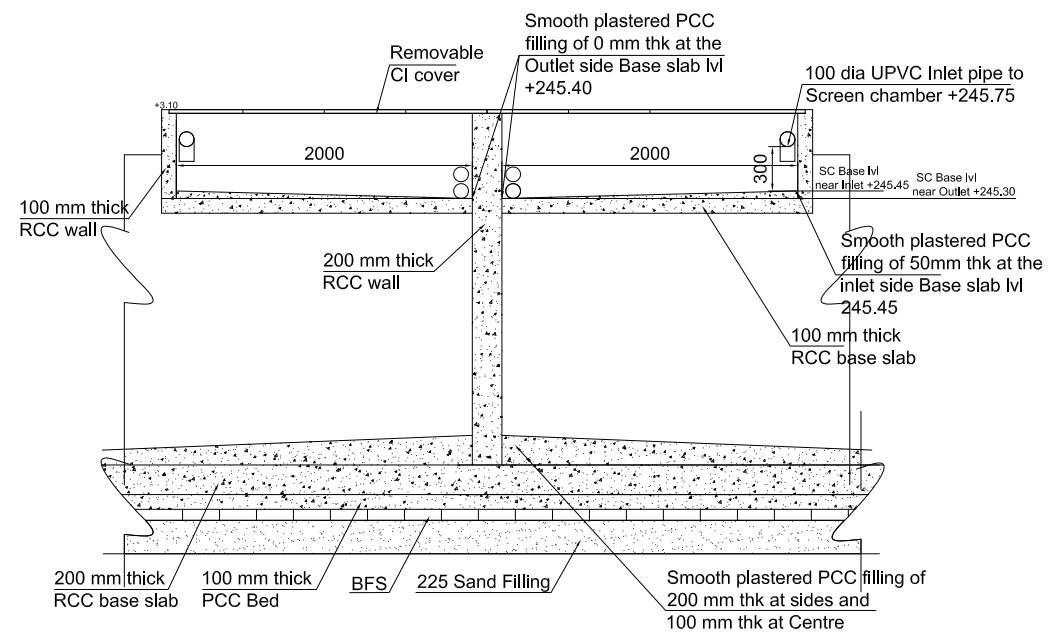
REV.	DATE	DESCRIPTION	DRN
R01	20.07.2020	PRELIMINARY ISSUE	

DESIGNED/DRAWN:	
CHECKED:	
APPROVED:	

NAME OF PROJECT:		2ND GMS -TOURISM INFRASTRUCTURE FOR INCLUSIVE GROWTH	
		WORKS PACKAGE -TIIGP2-LAO-W04	
		Subproject V5: Vang Vieng Solid Waste Management Improvements	
TITLE:	Sectional Plan: Planted Drying Bed (PDB)	SHEET NO.:	00 OF 00
		SHEET SIZE:	A3
DRAWING NO.:	RAM-LAO-DED-W04-A-10-1	REV:	R01
		DATE:	JULY 2020



**SECTION @ A-A
(UPSTREAM) PDB**
Scale :- 1:110



**DETAIL @ D
PDB**
Scale :- 1:50

LEAD CONSULTANT :



Hannemanns Alle 53
DK-2300 København S
Tlf. +45 5161 1000
Fax +45 5161 1001
www.ramboll.dk

SUB-CONSULTANT:



Waste Concern Consultants
Level- 4, House No.- 120/B, (Masjid Road) Road- 7
New DOHS Mohakhali Dhaka- 1207, Bangladesh
Tlf. + 880-2-48810-841, + 880-2-48810-842
Fax. + 880-2- 9899-486, Email- office@wasteconcern.org
www.wasteconcern.org

CLIENT :



LAO PEOPLE'S DEMOCRATIC REPUBLIC (LAO PDR)
MINISTRY OF INFORMATION, CULTURE AND TOURISM

REV.	DATE	DESCRIPTION	DRN
RO1	20.07.2020	PRELIMINARY ISSUE	

DESIGNED/DRAWN:

CHECKED:

APPROVED:

NAME OF PROJECT:
2ND GMS -TOURISM INFRASTRUCTURE FOR INCLUSIVE GROWTH
WORKS PACKAGE -TIIGP2-LAO-W04

Subproject V5: Vang Vieng Solid Waste Management Improvements

TITLE:
SECTION: A-A, DETAIL: D (PDB)

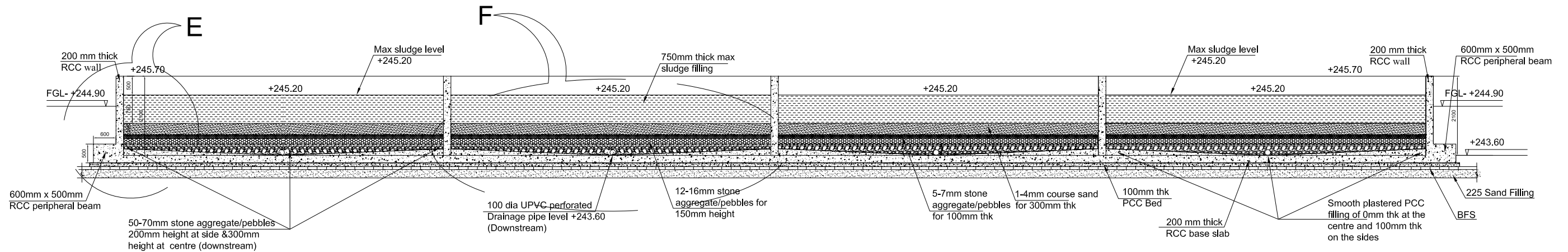
DRAWING NO.: RAM-LAO-DED-W04-A-10-2

SHEET NO.: 00 OF 00

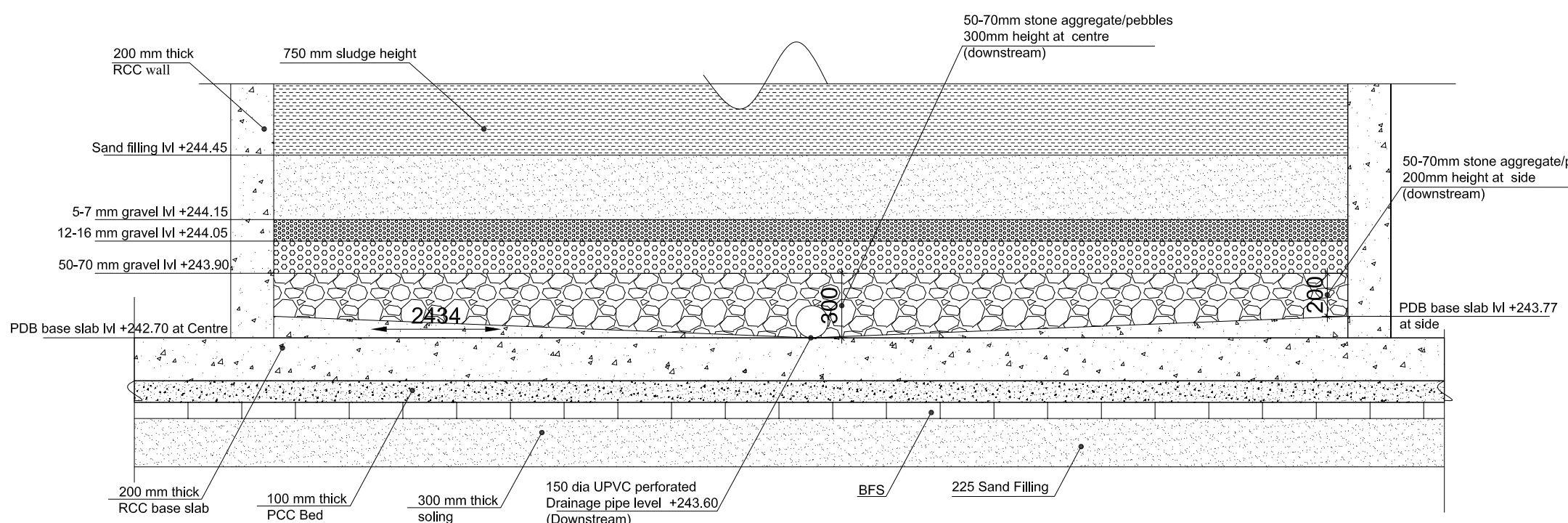
SHEET SIZE: A3

SCALE:

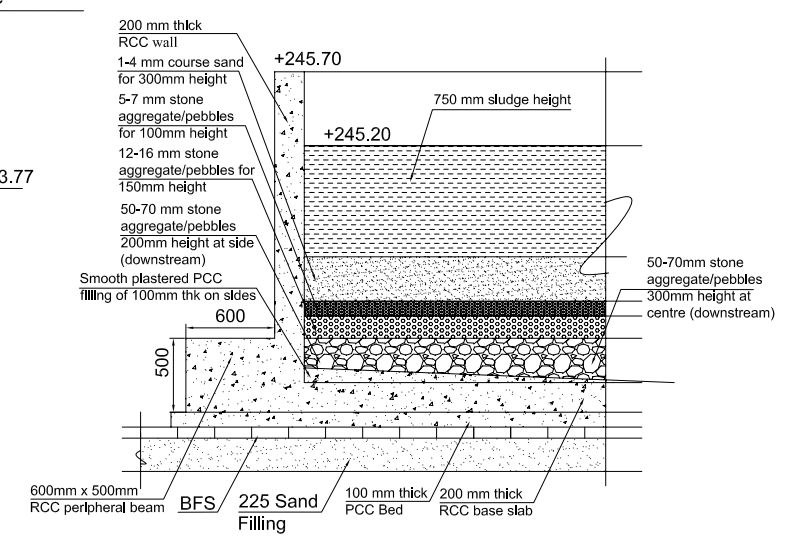
REV: R01 DATE: JULY 2020



**SECTION @ B-B
(DOWNSTREAM) PDB**
Scale :- 1:110

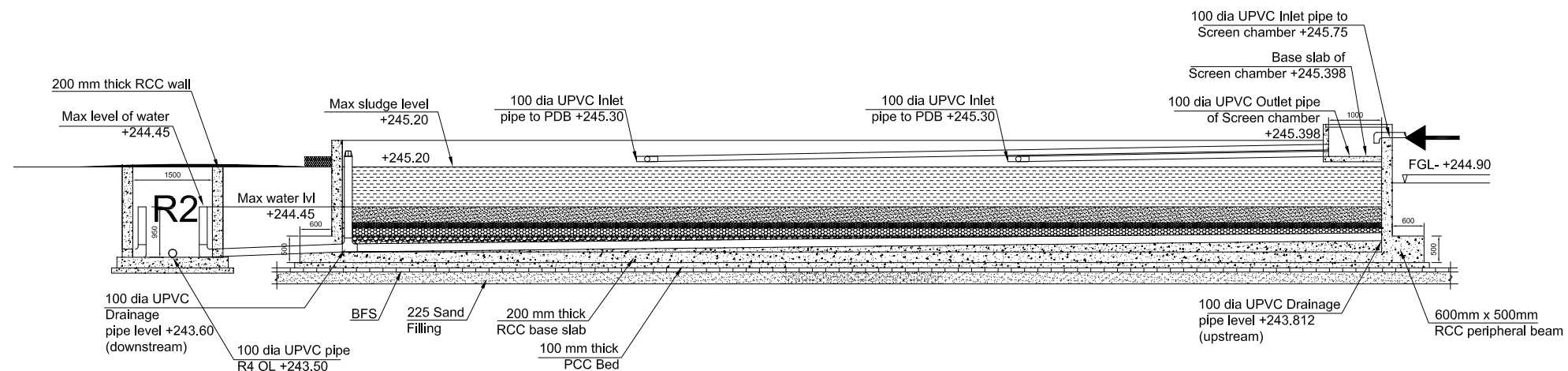


**DETAIL @ F
(DOWNSTREAM) PDB**
Scale :- 1:25



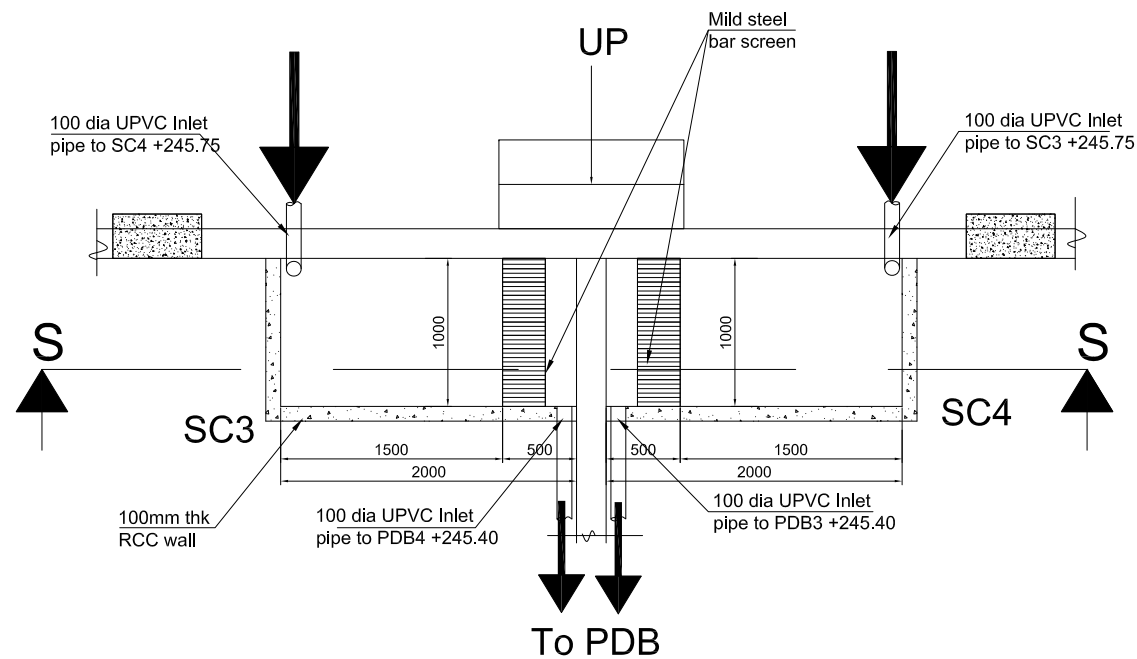
**DETAIL @ E
PDB**
Scale :- 1:50

LEAD CONSULTANT : Hannemanns Alle'53 DK-2300 København S Tlf. +45 5161 1000 Fax +45 5161 1001 www.ramboll.dk	SUB-CONSULTANT: Waste Concern Consultants Level- 4, House No.- 120/B, (Masjid Road) Road- 7 New DOHS Mohakhali Dhaka- 1207, Bangladesh Tlf. + 880-2-48810-841, + 880-2-48810-842 Fax. + 880-2- 9899-486, Email- office@wasteconcern.org www.wasteconcern.org	CLIENT : LAO PEOPLE'S DEMOCRATIC REPUBLIC (LAO PDR) MINISTRY OF INFORMATION, CULTURE AND TOURISM	DESIGNED/DRAWN:	NAME OF PROJECT:	
			CHECKED:	2ND GMS -TOURISM INFRASTRUCTURE FOR INCLUSIVE GROWTH WORKS PACKAGE -TIIGP2-LAO-W04 Subproject V5: Vang Vieng Solid Waste Management Improvements	
APPROVED:	TITLE:	SECTION: B-B, DETAIL: E & F (PDB)		SHEET NO.:	SHEET SIZE:
REV.	DATE	DESCRIPTION	DRN	00 OF 00	A3
				SCALE:	
				DRAWING NO.:	REV: DATE:
				RAM-LAO-DED-W04-A-10-3	R01 JULY 2020



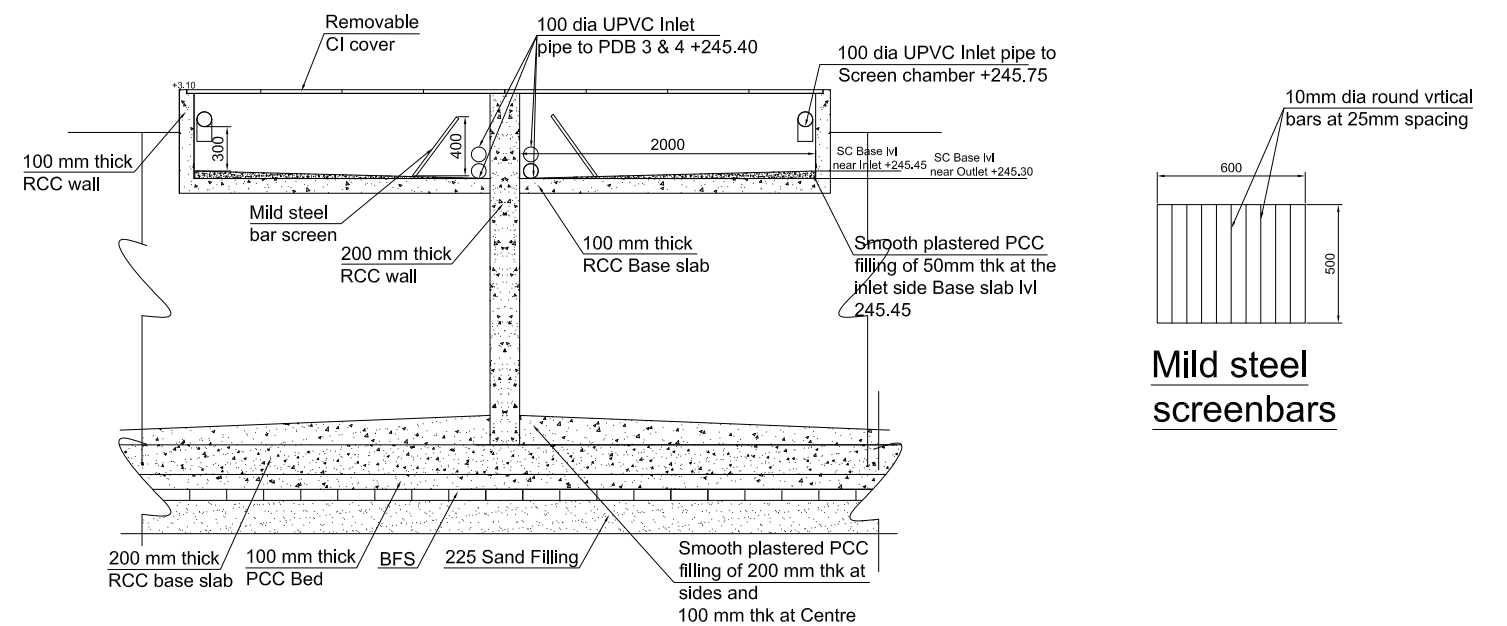
SECTION @ C-C PDB

Scale :- 1:100



DETAIL @ G PDB

Scale :- 1:50



SECTION @ S-S (PDB)

Scale :- 1:50

Sl.No	Description	Level
A	Planted Drying Bed (PDB)	
1	Finished Ground Level (FGL)	2.30
2	Inlet level of screening chamber	2.85
3	Outlet level of screening chamber	2.50
4	Inlet to PDB	2.40
5	Outlet of PDB	0.70

LEAD CONSULTANT :



Hannemanns Alle 53
DK-2300 København S
Tlf. +45 5161 1000
Fax +45 5161 1001
www.ramboll.dk

SUB-CONSULTANT:



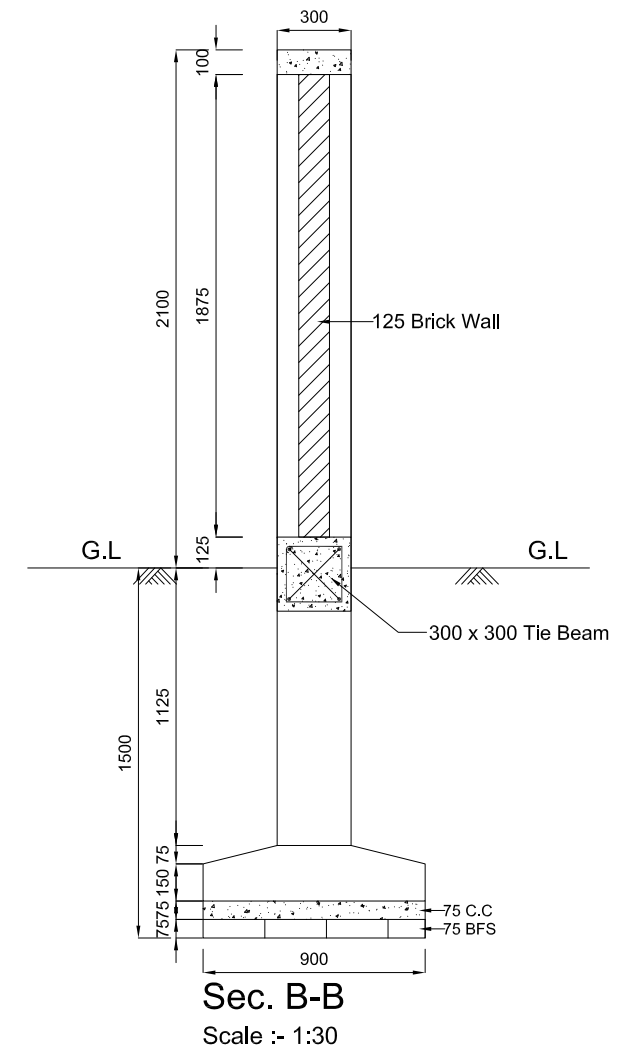
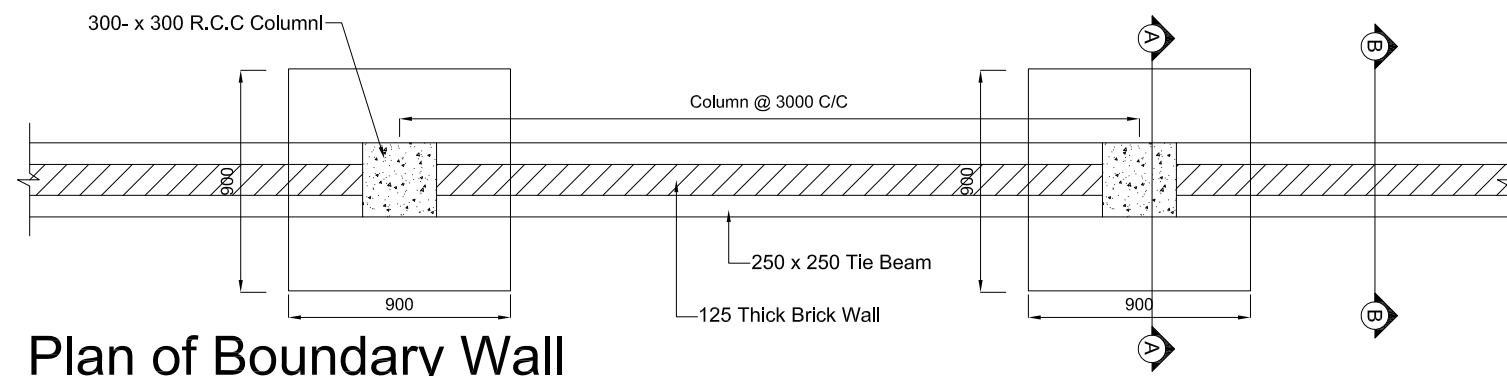
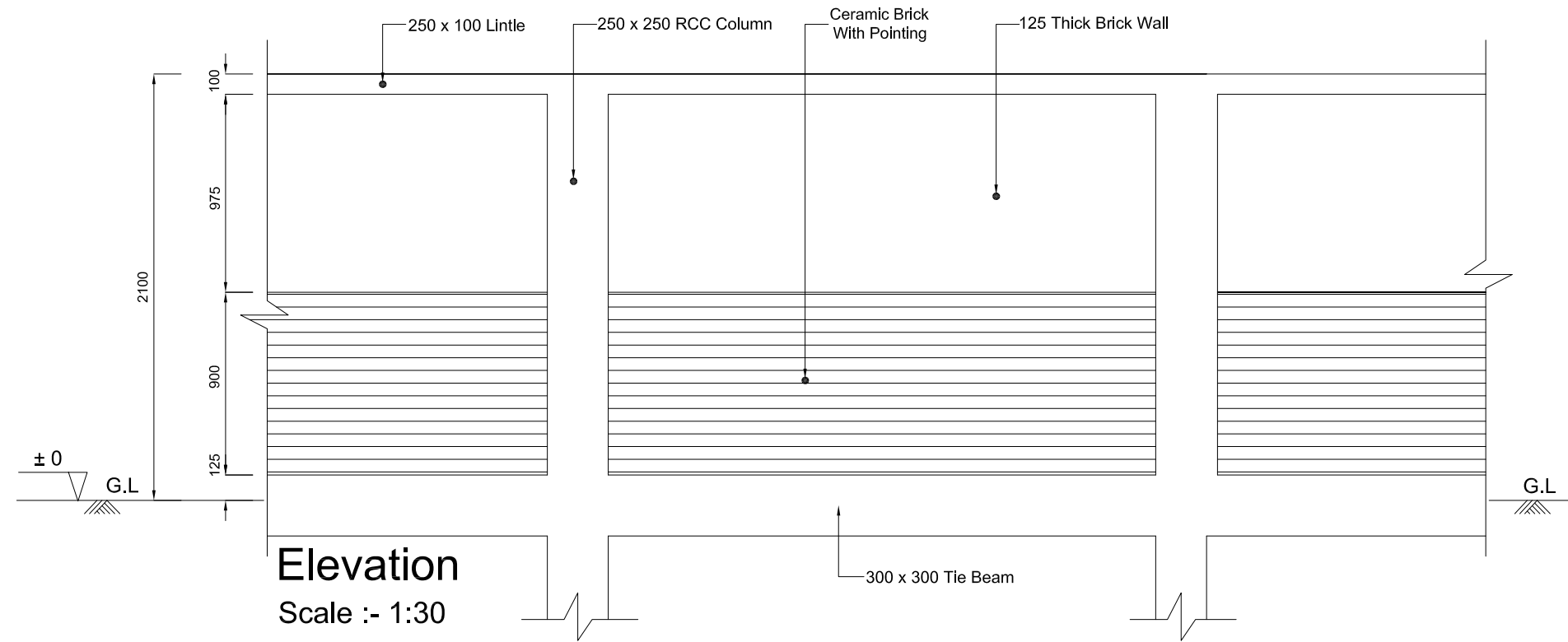
Waste Concern Consultants
Level- 4, House No.- 120/B, (Masjid Road) Road-7
New DOHS Mohakhali Dhaka- 1207, Bangladesh
Tlf. + 880-2-48810-841, + 880-2-48810-842
Fax. + 880-2- 9899-486, Email- office@wasteconcern.org
www.wasteconcern.org

CLIENT :



LAO PEOPLE'S DEMOCRATIC REPUBLIC (LAO PDR)
MINISTRY OF INFORMATION, CULTURE AND TOURISM

DESIGNED/DRAWN:	NAME OF PROJECT:	SHEET NO.:	SHEET SIZE:
CHECKED:	2ND GMS -TOURISM INFRASTRUCTURE FOR INCLUSIVE GROWTH	00	A3
APPROVED:	WORKS PACKAGE -TIIGP2-LAO-W04	OF	00
REV.	TITLE:	SCALE:	DATE:
01	Subproject V5: Vang Vieng Solid Waste Management Improvements		R01
20.07.2020	L-SECTION: C-C, S-S & DETAIL: G		JULY 2020
PRELIMINARY ISSUE	DRAWING NO.:		
	RAM-LAO-DED-W04-A-10-4		



LEAD CONSULTANT :

RAMBOLL

Hannemanns Alle 53
DK-2300 København S
Tlf. +45 5161 1000
Fax +45 5161 1001
www.ramboll.dk

SUB-CONSULTANT:



Waste Concern Consultants

Level- 4, House No.- 120/B, (Masjid Road) Road- 7
New DOHS Mohakhali Dhaka- 1207, Bangladesh
Tlf. + 880-2-48810-841, + 880-2-48810-842
Fax. + 880-2- 9899-486, Email- office@wasteconcern.org
www.wasteconcern.org

CLIENT :



LAO PEOPLE'S DEMOCRATIC REPUBLIC (LAO PDR)
MINISTRY OF INFORMATION, CULTURE AND TOURISM

REV.	DATE	DESCRIPTION	DRN
R01	20.07.2020	PRELIMINARY ISSUE	

DESIGNED/DRAWN: /
CHECKED: /
APPROVED: /

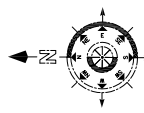
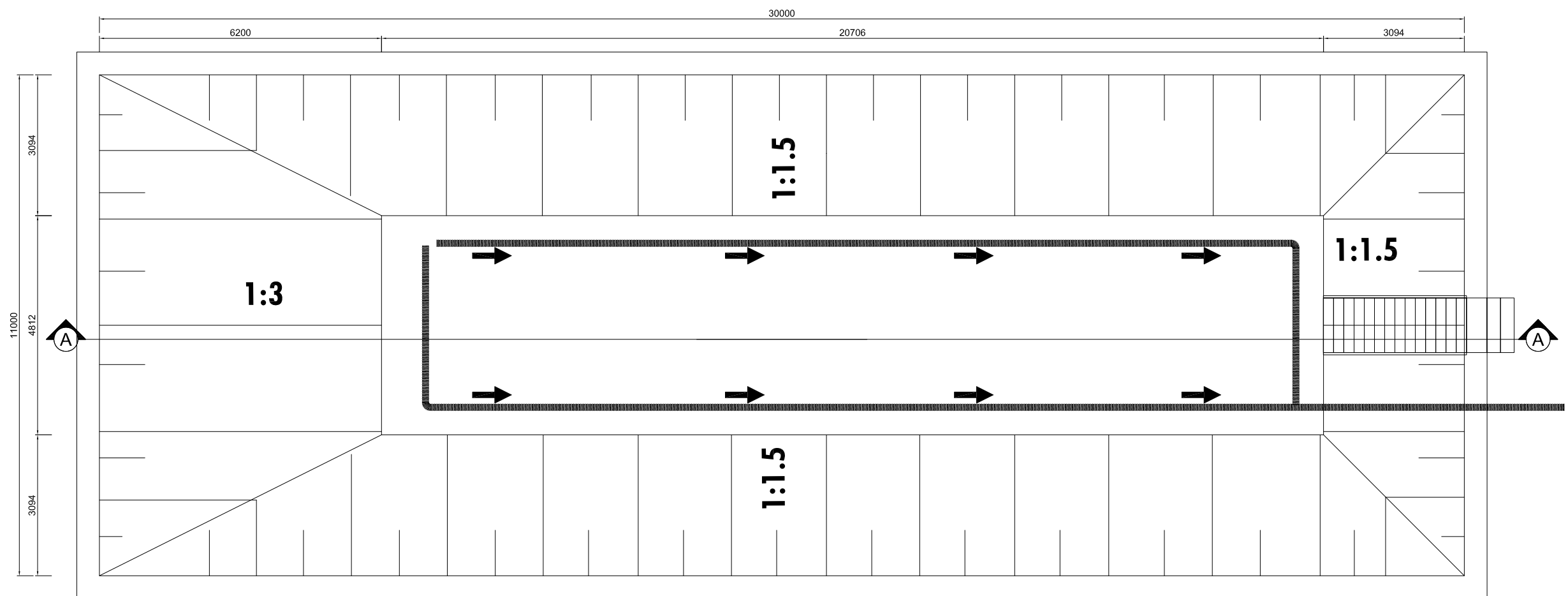
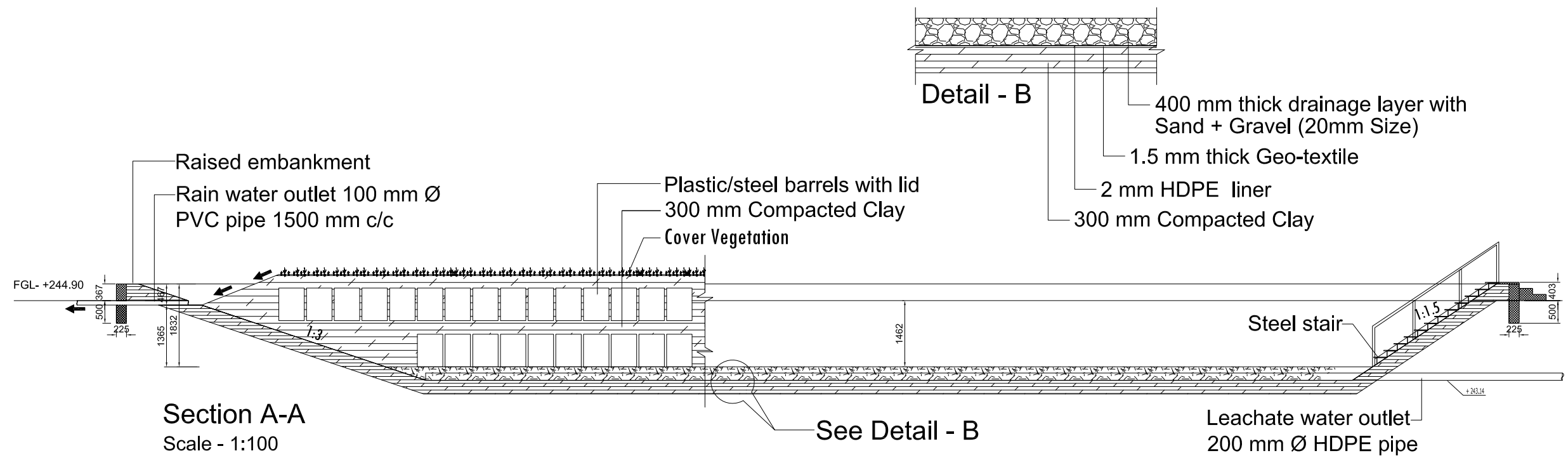
NAME OF PROJECT:
2ND GMS -TOURISM INFRASTRUCTURE FOR INCLUSIVE GROWTH
WORKS PACKAGE -TIIGP2-LAO-W04
Subproject V5: Vang Vieng Solid Waste Management Improvements

TITLE:
Boundary Wall: Plan, Elevation & Section Details

DRAWING NO.: RAM-LAO-DED-W04-A-11

SHEET NO.: 00 OF 00
SHEET SIZE: A3
SCALE:

REV: R01
DATE: JULY 2020



Secure Landfill Hazardous Waste: Plan
Scale - 1:100

LEAD CONSULTANT :



Hannemanns Alle 53
DK-2300 København S
Tlf. +45 5161 1000
Fax +45 5161 1001
www.ramboll.dk

SUB-CONSULTANT:



Waste Concern Consultants
Level- 4, House No.- 120/B, (Masjid Road) Road- 7
New DOHS Mohakhali Dhaka- 1207, Bangladesh
Tlf. + 880-2-48810-841, + 880-2-48810-842
Fax. + 880-2- 9899-486, Email- office@wasteconcern.org
www.wasteconcern.org

CLIENT :



LAO PEOPLE'S DEMOCRATIC REPUBLIC (LAO PDR)
MINISTRY OF INFORMATION, CULTURE AND TOURISM

REV.	DATE	DESCRIPTION	DRN
R01	20.07.2020	PRELIMINARY ISSUE	

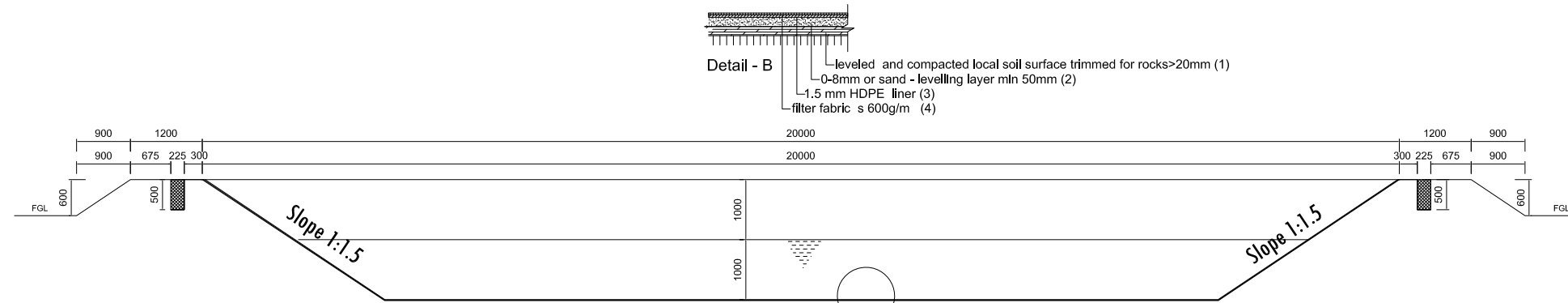
DESIGNED/DRAWN: /
CHECKED: /
APPROVED: /

NAME OF PROJECT:
2ND GMS –TOURISM INFRASTRUCTURE FOR INCLUSIVE GROWTH
WORKS PACKAGE -TIIGP2-LAO-W04
Subproject V5: Vang Vieng Solid Waste Management Improvements

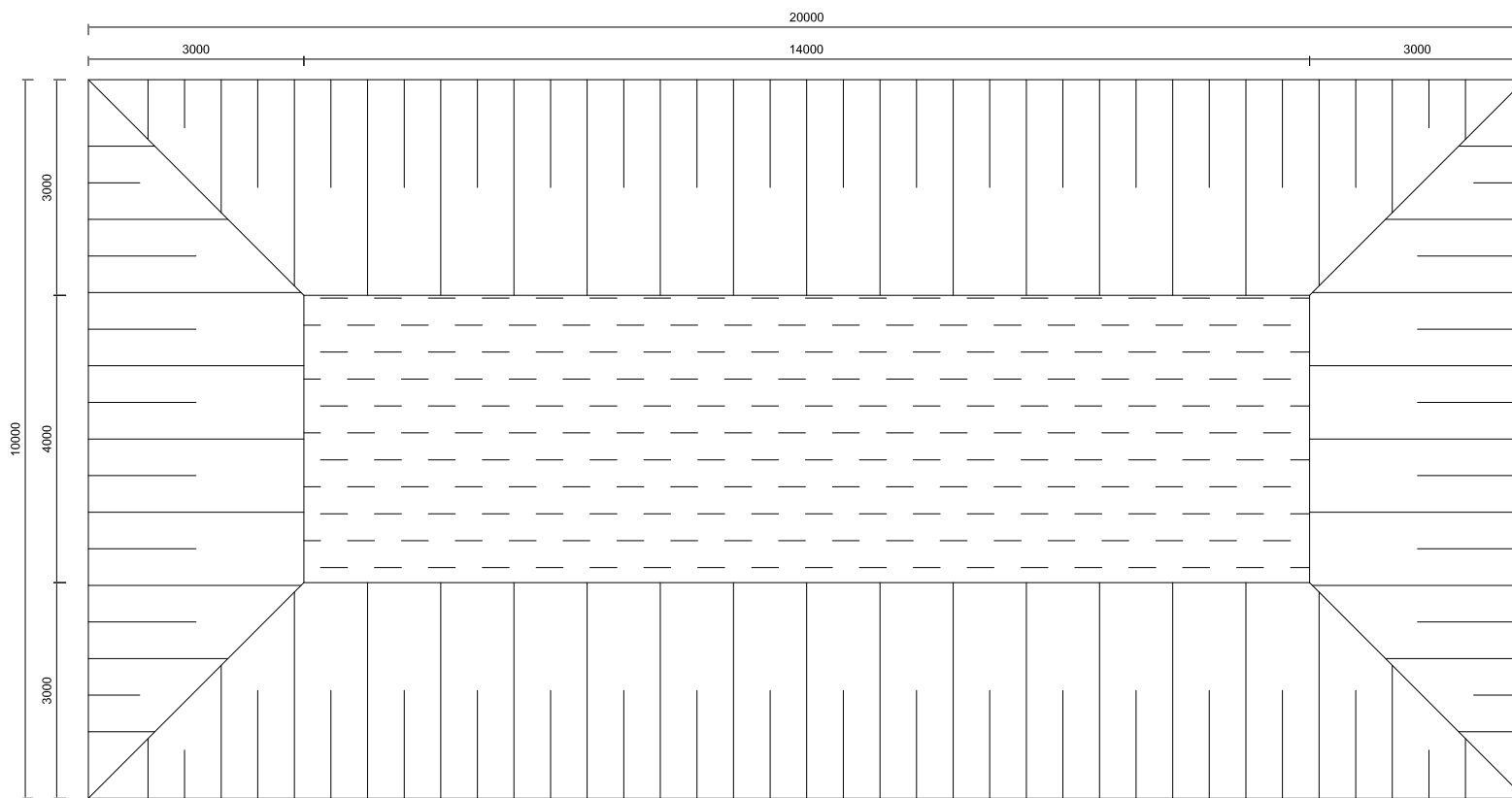
TITLE:
Secure Landfill Hazardous Waste: Plan

DRAWING NO.: RAM-LAO-DED-W04-A-12

SHEET NO.: 00 OF 00
SHEET SIZE: A3
SCALE:
REV: R01 DATE: JULY 2020



See Detail - B

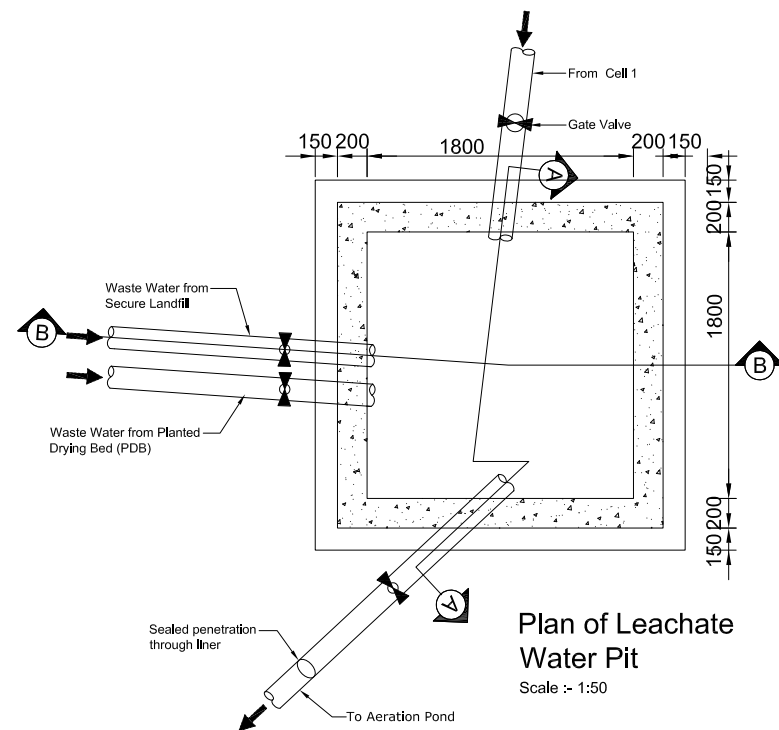
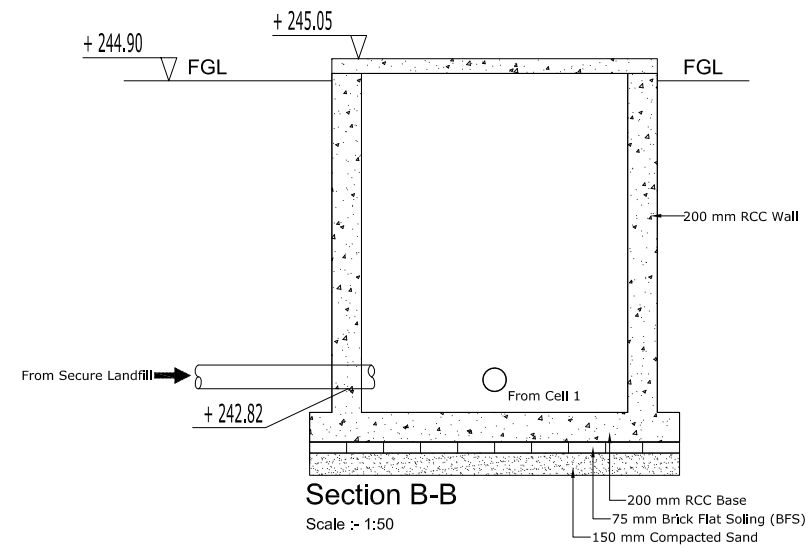
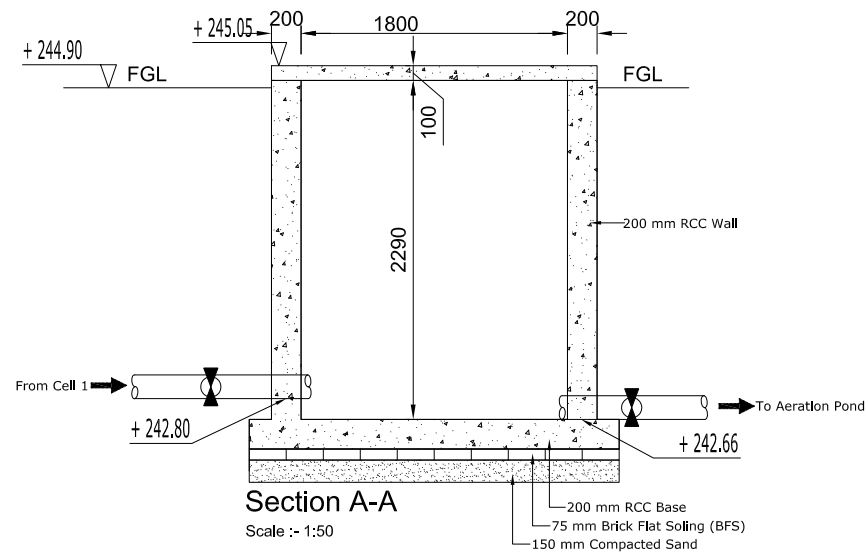


Treated Water Pond for Reuse: Plan & Section A-A

Scale - 1:100



LEAD CONSULTANT :  Hannemanns Alle 53 DK-2300 København S Tlf. +45 5161 1000 Fax +45 5161 1001 www.ramboll.dk	SUB-CONSULTANT:  Waste Concern Consultants Level- 4, House No.- 120/B, (Masjid Road) Road- 7 New DOHS Mohakhali Dhaka- 1207, Bangladesh Tlf. + 880-2-48810-841, + 880-2-48810-842 Fax. + 880-2- 9899-486, Email- office@wasteconcern.org www.wasteconcern.org	CLIENT :  LAO PEOPLE'S DEMOCRATIC REPUBLIC (LAO PDR) MINISTRY OF INFORMATION, CULTURE AND TOURISM	DESIGNED/DRAWN:	NAME OF PROJECT:										
			CHECKED:	2ND GMS –TOURISM INFRASTRUCTURE FOR INCLUSIVE GROWTH WORKS PACKAGE -TIIGP2-LAO-W04 Subproject V5: Vang Vieng Solid Waste Management Improvements										
<table border="1"> <thead> <tr> <th>REV.</th> <th>DATE</th> <th>DESCRIPTION</th> <th>DRN</th> </tr> </thead> <tbody> <tr> <td>R01</td> <td>20.07.2020</td> <td>PRELIMINARY ISSUE</td> <td></td> </tr> </tbody> </table>			REV.	DATE	DESCRIPTION	DRN	R01	20.07.2020	PRELIMINARY ISSUE		APPROVED:	TITLE:	SHEET NO.:	SHEET SIZE:
REV.	DATE	DESCRIPTION	DRN											
R01	20.07.2020	PRELIMINARY ISSUE												
				Treated Water Pond for Reuse: Plan & Section A-A	00	OF	00	A3						
				DRAWING NO.:	SCALE:	REV:	DATE:							
				RAM-LAO-DED-W04-A-13		R01	JULY 2020							



LEAD CONSULTANT :



Hannemanns Alle 53
DK-2300 København S
Tlf. +45 5161 1000
Fax +45 5161 1001
www.ramboll.dk

SUB-CONSULTANT:



Waste Concern Consultants
Level- 4, House No.- 120/B, (Masjid Road) Road- 7
New DOHS Mohakhali Dhaka- 1207, Bangladesh
Tlf. + 880-2-48810-841, + 880-2-48810-842
Fax. + 880-2- 9899-486, Email- office@wasteconcern.org
www.wasteconcern.org

CLIENT :

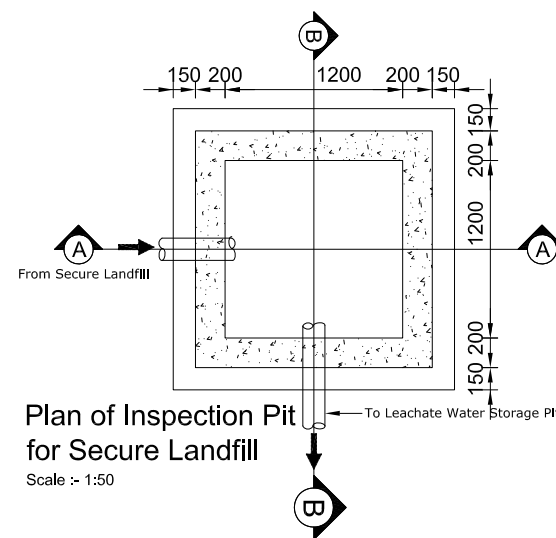
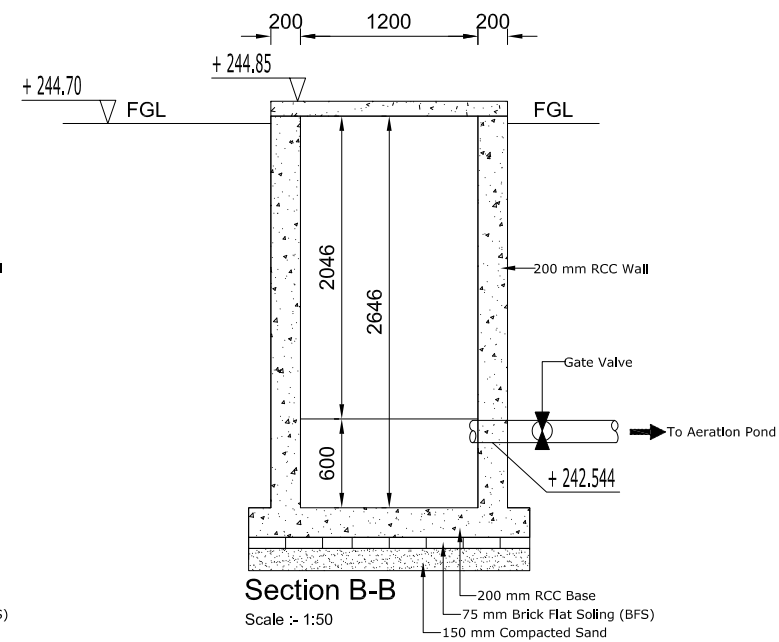
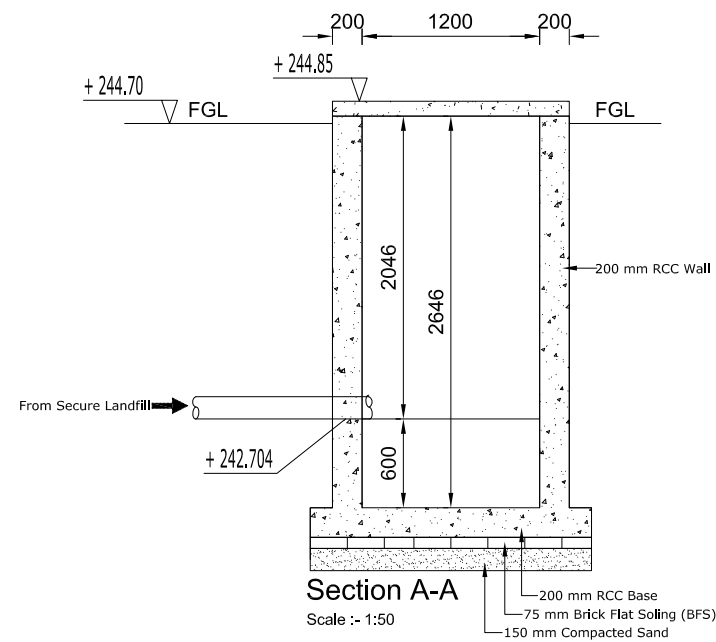


LAO PEOPLE'S DEMOCRATIC REPUBLIC (LAO PDR)
MINISTRY OF INFORMATION, CULTURE AND TOURISM

REV.	DATE	DESCRIPTION	DRN
R01	20.07.2020	PRELIMINARY ISSUE	

DESIGNED/DRAWN:	---
CHECKED:	---
APPROVED:	---

NAME OF PROJECT: 2ND GMS -TOURISM INFRASTRUCTURE FOR INCLUSIVE GROWTH WORKS PACKAGE -TIIGP2-LAO-W04 Subproject V5: Vang Vieng Solid Waste Management Improvements		SHEET NO.:	SHEET SIZE:
TITLE: Leachate Water Storage Pit: Plan & Section A-A		00 OF 00	A3
DRAWING NO.: RAM-LAO-DED-W04-A-14		SCALE:	
REV:	DATE:		
R01	JULY 2020		



LEAD CONSULTANT :



Hannemanns Alle 53
DK-2300 København S
Tlf. +45 5161 1000
Fax +45 5161 1001
www.ramboll.dk

SUB-CONSULTANT:



Waste Concern Consultants
Level- 4, House No.- 120/B, (Masjid Road) Road- 7
New DOHS Mohakhali Dhaka- 1207, Bangladesh
Tlf. + 880-2-48810-841, + 880-2-48810-842
Fax. + 880-2- 9899-486, Email- office@wasteconcern.org
www.wasteconcern.org

CLIENT :



LAO PEOPLE'S DEMOCRATIC REPUBLIC (LAO PDR)
MINISTRY OF INFORMATION, CULTURE AND TOURISM

REV.	DATE	DESCRIPTION	DRN
R01	20.07.2020	PRELIMINARY ISSUE	

DESIGNED/DRAWN:
CHECKED:
APPROVED:

NAME OF PROJECT:		2ND GMS -TOURISM INFRASTRUCTURE FOR INCLUSIVE GROWTH	
		WORKS PACKAGE -TIIGP2-LAO-W04	
		Subproject V5: Vang Vieng Solid Waste Management Improvements	
TITLE:	Inspection Pit: Plan & Section A-A	SHEET NO.:	00 OF 00
		SHEET SIZE:	A3
DRAWING NO.:	RAM-LAO-DED-W04-A-15	REV:	R01
		DATE:	JULY 2020

LAO PEOPLE'S DEMOCRATIC REPUBLIC (LAO PDR)



MINISTRY OF INFORMATION, CULTURE AND TOURISM

G0599-LAO: 2ND GMS TOURISM INFRASTRUCTURE FOR INCLUSIVE GROWTH PROJECT

**BIDDING DOCUMENT FOR PROCUREMENT OF
WORKS PACKAGE: TIIGP2-LAO-W04 VANG VIENG LANDFILL IMPROVEMENTS**

Subproject V5: Vang Vieng Solid Waste Management Improvements

DETAILED STRUCTURAL DRAWING

JULY, 2020

LEAD CONSULTANT :

RAMBOLL

Hannemanns Alle'53
DK-2300 København S
Tlf. +45 5161 1000
Fax +45 5161 1001
www.ramboll.dk

SUB-CONSULTANT:



Waste Concern Consultants

Level- 4, House No.- 120/B, (Masjid Road) Road- 7
New DOHS Mohakhali Dhaka- 1207, Bangladesh
Tlf. + 880-2-48810-841, + 880-2-48810-842
Fax. + 880-2- 9899-486, Email- office@wasteconcern.org
www.wasteconcern.org

Table of Contents

Drawing no.	Component	Title	Sheet no.
All Structural Drawings			
ST-00-1	Note	General Note	01
ST-00-2	Note	General Note for Steel	02
ST-01-1	MRF	MRF: Column Lay-Out Plan	03
ST-01-2	MRF	MRF: Column Marking Lay-Out Plan	04
ST-01-3	MRF	MRF: Footing Marking Lay-Out Plan	05
ST-01-4	MRF	MRF: Typical Footing Section & Plan, R.C.C Footing Schedule & Column Schedule	06
ST-01-5	MRF	MRF: TIE Beam Marking Lay-Out Plan	07
ST-01-6	MRF	MRF: TIE Beam Long & Cross Section Reinforcement Details	08
ST-01-7	MRF	MRF: Anchor Bolt above ± 0.0 m. Level from PL. Steel Column Lay-Out Plan	09
ST-01-8	MRF	MRF: R.C.C. Wall Lay-Out Plan	10
ST-01-9	MRF	MRF: Foundation Plan	11
ST-01-10	MRF	MRF: Roof Framing Lay-Out Plan	12
ST-01-11	MRF	MRF: Framing Elevation	13
ST-01-12	MRF	MRF: Truss Deatails and Base Plate Details	14
ST-01-13	MRF	MRF: Reinforcement and Structural Details	15
ST-01-14	MRF	MRF: Reinforcement and Structural Details	16
ST-02-1	Administration Building	Administration Building: Roof Framing Plan	17
ST-02-2	Administration Building	Administration Building: Footing Foundation Plan	18
ST-02-3	Administration Building	Administration Building: Top Structural Plan	19
ST-02-4	Administration Building	Administration Building: Framing Elevation	20
ST-02-5	Administration Building	Administration Building: Truss Details	21
ST-02-6	Administration Building	Administration Building: Reinforcement & Structural Details	22
ST-03-1	Office Building	Office Building: Column Marking Lay-Out Plan	23
ST-03-2	Office Building	Office Building: Footing Marking Lay-Out Plan	24
ST-03-3	Office Building	Office Building: Typical Footing Section & Plan, R.C.C Footing Schedule & Column Schedule	25
ST-03-4	Office Building	Office Building: TIE Beam Marking Lay-Out Plan	26
ST-03-5	Office Building	Office Building: TIE Beam Long & Cross Section Reinforcement Details	27
ST-03-6	Office Building	Office Building: Roof Beam Marking Lay-Out Plan	28
ST-03-7	Office Building	Office Building: Roof Beam Long & Cross Section Reinforcement Details	29
ST-03-8	Office Building	Office Building: Slab Reinforcement Details	30

Table of Contents

Drawing no.	Component	Title	Sheet no.
All Structural Drawings			
ST-04-1	Workshop (Service Building)	Workshop (Service Building): Roof Plan	31
ST-04-2	Workshop (Service Building)	Workshop (Service Building): Foundation Lay-Out Plan	32
ST-04-3	Workshop (Service Building)	Workshop (Service Building): Frame Elevation	33
ST-04-4	Workshop (Service Building)	Workshop (Service Building): Truss Details Elevation	34
ST-04-5	Workshop (Service Building)	Workshop (Service Building): Truss Details Elevation	35
ST-04-6	Workshop (Service Building)	Workshop (Service Building): Structural For Top Views	36
ST-04-7	Workshop (Service Building)	Workshop (Service Building): Reinforcement & Structural Details	37
ST-05-1	Hazardous Waste Storage	Hazardous Waste Storage: Column Marking Lay-Out Plan	38
ST-05-2	Hazardous Waste Storage	Hazardous Waste Storage: Footing Marking Lay-Out Plan	39
ST-05-3	Hazardous Waste Storage	Hazardous Waste Storage: Footing Section & Plan, R.C.C Footing & Column Schedule	40
ST-05-4	Hazardous Waste Storage	Hazardous Waste Storage: TIE Beam Marking Lay-Out Plan	41
ST-05-5	Hazardous Waste Storage	Hazardous Waste Storage: TIE Beam Long & Cross Section Reinforcement Details	42
ST-05-6	Hazardous Waste Storage	Hazardous Waste Storage: R.C.C. Wall Lay-Out Plan	43
ST-05-7	Hazardous Waste Storage	Hazardous Waste Storage: Anchor Bolt above 3.0 m. Level from PL. Steel Column Lay-Out Plan	44
ST-05-8	Hazardous Waste Storage	Hazardous Waste Storage: Section: A-A & B-B, Details of Anchor Bolt	45
ST-05-9	Hazardous Waste Storage	Hazardous Waste Storage: Roof Framing Plan	46
ST-05-10	Hazardous Waste Storage	Hazardous Waste Storage: Roof Framing Plan	47
ST-05-11	Hazardous Waste Storage	Hazardous Waste Storage: Roof Top Plan	48
ST-06-1	Incinerator Room	Incinerator Room: Column Marking Lay-Out Plan	49
ST-06-2	Incinerator Room	Incinerator Room: Footing Marking Lay-Out Plan	50
ST-06-3	Incinerator Room	Incinerator Room: Typical Footing Section & Plan, R.C.C Footing & Column Schedule	51
ST-06-4	Incinerator Room	Incinerator Room: TIE Beam Marking Lay-Out Plan	52
ST-06-5	Incinerator Room	Incinerator Room: TIE Beam Long & Cross Section Reinforcement Details	53
ST-06-6	Incinerator Room	Incinerator Room: Roof Beam Marking Lay-Out Plan	54
ST-06-7	Incinerator Room	Incinerator Room: Roof Beam Long & Cross Section Reinforcement Details	55

Table of Contents

Drawing no.	Component	Title	Sheet no.
All Structural Drawings			
ST-06-8	Incinerator Room	Incinerator Room: Anchor Bolt above 4.0 m. Level from PL. Steel Column Lay-Out Plan	56
ST-06-9	Incinerator Room	Incinerator Room: Roof Framing Lay-Out Plan	57
ST-06-10	Incinerator Room	Incinerator Room: Roof Top Lay-Out Plan	58
ST-06-11	Incinerator Room	Incinerator Room: Section: A-A & B-B	59
ST-06-12	Incinerator Room	Incinerator Room: Frame Cross Section	60
ST-07-1	Security & Main Entrance	Security & Main Entrance: Column Marking Lay-Out Plan	61
ST-07-2	Security & Main Entrance	Security & Main Entrance: Footing Marking Lay-Out Plan	62
ST-07-3	Security & Main Entrance	Security & Main Entrance: Footing Section & Plan, R.C.C Footing & Column Schedule	63
ST-07-4	Security & Main Entrance	Security & Main Entrance: TIE Beam Marking Lay-Out Plan	64
ST-07-5	Security & Main Entrance	Security & Main Entrance: TIE Beam Long & Cross Section Reinforcement Details	65
ST-07-6	Security & Main Entrance	Security & Main Entrance: Roof Beam Marking Lay-Out Plan	66
ST-07-7	Security & Main Entrance	Security & Main Entrance: Roof Beam Long & Cross Section Reinforcement Details	67
ST-07-8	Security & Main Entrance	Security & Main Entrance: Slab Reinforcement Details	68
ST-08	Weigh Bridge	Weigh Bridge: Re-Bar Plan	69
ST-09-1	Vehicle Washing Ramp	Vehicle Washing Ramp: Plan & Elevation	70
ST-09-2	Vehicle Washing Ramp	Vehicle Washing Ramp: Section - A-A & B-B	71
ST-10-1	Planted Drying bed (PDB)	PDB: Structural Details	72
ST-10-2	Planted Drying bed (PDB)	PDB: Screen Chamber	73
ST-10-3	Planted Drying bed (PDB)	PDB: Register R1 - R4	74
ST-11	Boundary Wall	Boundary Wall: Plan, Elevation & Section Details	75
ST-12	Peremeter Fence	Peremeter Fence: Details	76
ST-13	Secure Landfill Hazardous Waste	Secure Landfill Hazardous Waste: Plan	77
ST-14	Treated Water Pond for Reuse	Treated Water Pond for Reuse: Plan	78
ST-15	Leachate Water Storage Tank	Leachate Water Storage Tank: Plan & Section A-A	79

GENERAL NOTE

1. FOUNDATION HAS BEEN DESIGNED CONSIDERING SUB-SOIL INVESTIGATION REPORT.
2. CONCRETE COMPRESSION STRENGTH SHALL BE $f_c = 4350$ psi (30 MPa) at 28 days. (Assumed).
3. ALL STEEL SHALL BE DEFORMED BAR OF YIELD STRENGTH $f_y = 60,000$ psi (420 MPa) Minimum.
FOR STEEL STRUCTURE $f_y = 50,000$ psi (345 MPa)
4. COARSE SAND OF FM = 2.5(AVERAGE)
5. CLEAR COVER TO STEEL REINFORCEMENT SHALL BE USED AS FOLLOWS.
(A). 75mm FOR FOUNDATION EXPOSED TO EARTH.
(B). 37mm FOR TIES OF COLUMN AND STIRRUPS OF BEAMS EXPOSED TO WEATHER.
(C). 50mm FOR R.C.C WALL, COLUMN, BEAM EXPOSED TO EARTH & WATER.
6. 18mm DOWN GRADED STONE CHIPS SHALL BE USED AS COARSE AGGREGATE.
CURING SHALL BE DONE FOR TWO WEEKS MINIMUM.
7. CASTING PROPORTION = 1:1.5:3 (1 Part Cement, 1.5 Part Sand & 3 Part Stone Chips)
8. FOR BRICK FLAT SOLING (BFS) SIZE OF BRICK SHOULD BE 200mm X 100mm X 50mm OR LOCALY AVAILABLE SIZE WITH CRUSHING STRENGTH OF 20 MPa.
9. CEMENT BRAND MUST BE ON TEST BASIS .BRICKS MUST BE FREE FROM SALINITY AND REGULAR SIZE AND WELL BURNT.
10. LAP LENGTH SHALL BE AS FOLLOWS. LAP LENGTH OF REINFORCEMENT BAR SHALL BE FOLLOWED AS MENTIONED BELOW-

	25 Ø ROD	22 Ø ROD	20 Ø ROD	16 Ø ROD	12 Ø ROD	10 Ø ROD
TOP ROD	1375 mm	1200 mm	950 mm	750 mm	600 mm	450 mm
BOTTOM ROD	1125 mm	1000 mm	800 mm	600 mm	500 mm	400 mm
BOTTOM BAR FOR BEAM:- Lap shall not be provided at middle third zone of the span.						
TOP BAR FOR BEAM:- Lap may be provided at middle third zone of the span.						

IT IS MENTIONED THAT 18mm DOWN GRADED & NOT MORE THAN 10% OF 12mm BROKEN STONE CHIPS SHALL BE USED.LOWER SIZE OF BROKEN STONE CHIPS REDUCES THE COMPRESSIVE STRENGTH OF CONCRETE.

11. SAND FILLING IN FOUNDATION TRENCHES AT PLINTH LEVEL WITH SAND HAVING MINIMUM F.M. 2.5 IN 150 MM LAYERS INCLUDING LEVELING, DRESSING, WATERING AND COMPACTION TO ACHIEVE MINIMUM DRY DENSITY OF 95% WITH OPTIMUM MOISTURE CONTENT (BY MODIFIED PROCTOR TEST) AND CBR= 25 MINIMUM. BY RAMMING EACH LAYER UP TO FINISHED LEVEL AS PER DESIGN SUPPLIED BY THE DESIGN OFFICE ONLY.
12. CLAY LINING IN LANDFILL BASE IN 150 MM LAYER TO ACHIEVE MINIMUM DRY DENSITY OF 90-95% WITH OPTIMUM MOISTURE CONTENT (BY MODIFIED PROCTOR TEST) AND CBR = 8 % MINIMUM. INCLUDING CARRYING, LEVELING, DRESSING AND COMPACTION TO A SPECIFIED PERCENTAGE IN EACH LAYER UP TO DESIRED LEVEL ETC. ALL WORK MUST BE COMPLETE AND TO BE ACCEPTED BY ENGINEER-IN-CHARGE.

LEAD CONSULTANT :



Hannemanns Alle 53
DK-2300 København S
Tlf. +45 5161 1000
Fax +45 5161 1001
www.ramboll.dk

SUB-CONSULTANT:



Waste Concern Consultants
Level- 4, House No.- 120/B, (Masjid Road) Road- 7
New DOHS Mohakhali Dhaka- 1207, Bangladesh
Tlf. + 880-2-48810-841, + 880-2-48810-842
Fax. + 880-2- 9899-486, Email- office@wasteconcern.org
www.wasteconcern.org

CLIENT :

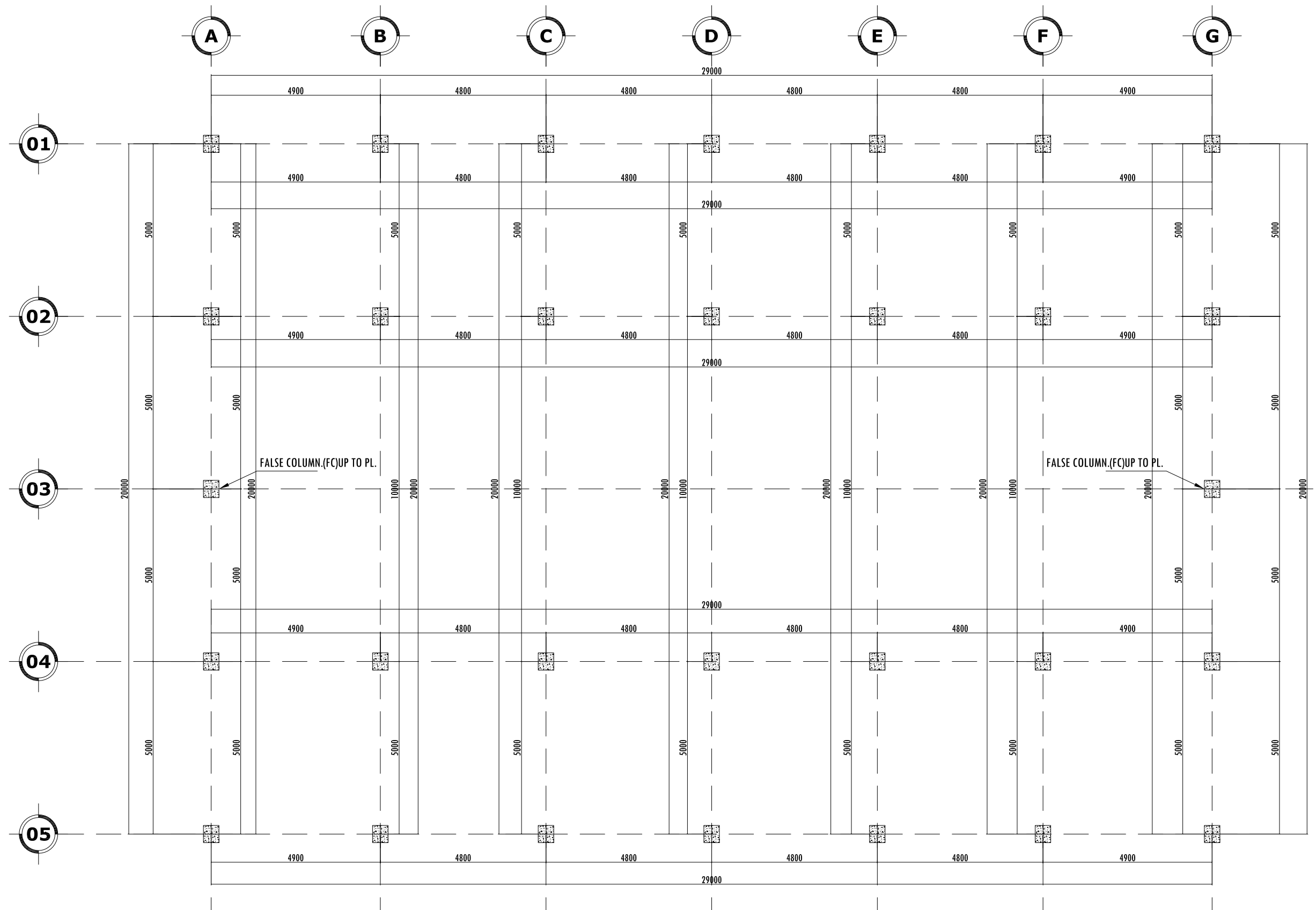



LAO PEOPLE'S DEMOCRATIC REPUBLIC (LAO PDR)
MINISTRY OF INFORMATION, CULTURE AND TOURISM

REV.	DATE	DESCRIPTION	DRN
R01	20.07.2020	PRELIMINARY ISSUE	

DESIGNED/DRAWN:
CHECKED:
APPROVED:

NAME OF PROJECT: 2ND GMS –TOURISM INFRASTRUCTURE FOR INCLUSIVE GROWTH WORKS PACKAGE -TIIGP2-LAO-W04 Subproject V5: Vang Vieng Solid Waste Management Improvements		SHEET NO.:	SHEET SIZE:
TITLE: GENERAL NOTE		00 OF 00	A3
DRAWING NO.: RAM-LAO-DED-W04-ST-00-1		REV:	DATE:
		R01	JULY 2020



 **MRF: Column Layout Plan with Dimension Detail**
Scale :- 1:175

LEAD CONSULTANT :



Hannemanns Alle 53
DK-2300 København S
Tlf. +45 5161 1000
Fax +45 5161 1001
www.ramboll.dk

SUB-CONSULTANT:



Waste Concern Consultants
Level- 4, House No.- 120/B, (Masjid Road) Road- 7
New DOHS Mohakhali Dhaka- 1207, Bangladesh
Tlf. + 880-2-48810-841, + 880-2-48810-842
Fax. + 880-2- 9899-486, Email- office@wasteconcern.org
www.wasteconcern.org

CLIENT :



LAO PEOPLE'S DEMOCRATIC REPUBLIC (LAO PDR)
MINISTRY OF INFORMATION, CULTURE AND TOURISM

REV.	DATE	DESCRIPTION	DRN
R01	20.07.2020	PRELIMINARY ISSUE	

DESIGNED/DRAWN:

CHECKED:

APPROVED:

NAME OF PROJECT:
2ND GMS -TOURISM INFRASTRUCTURE FOR INCLUSIVE GROWTH
WORKS PACKAGE -TIIGP2-LAO-W04

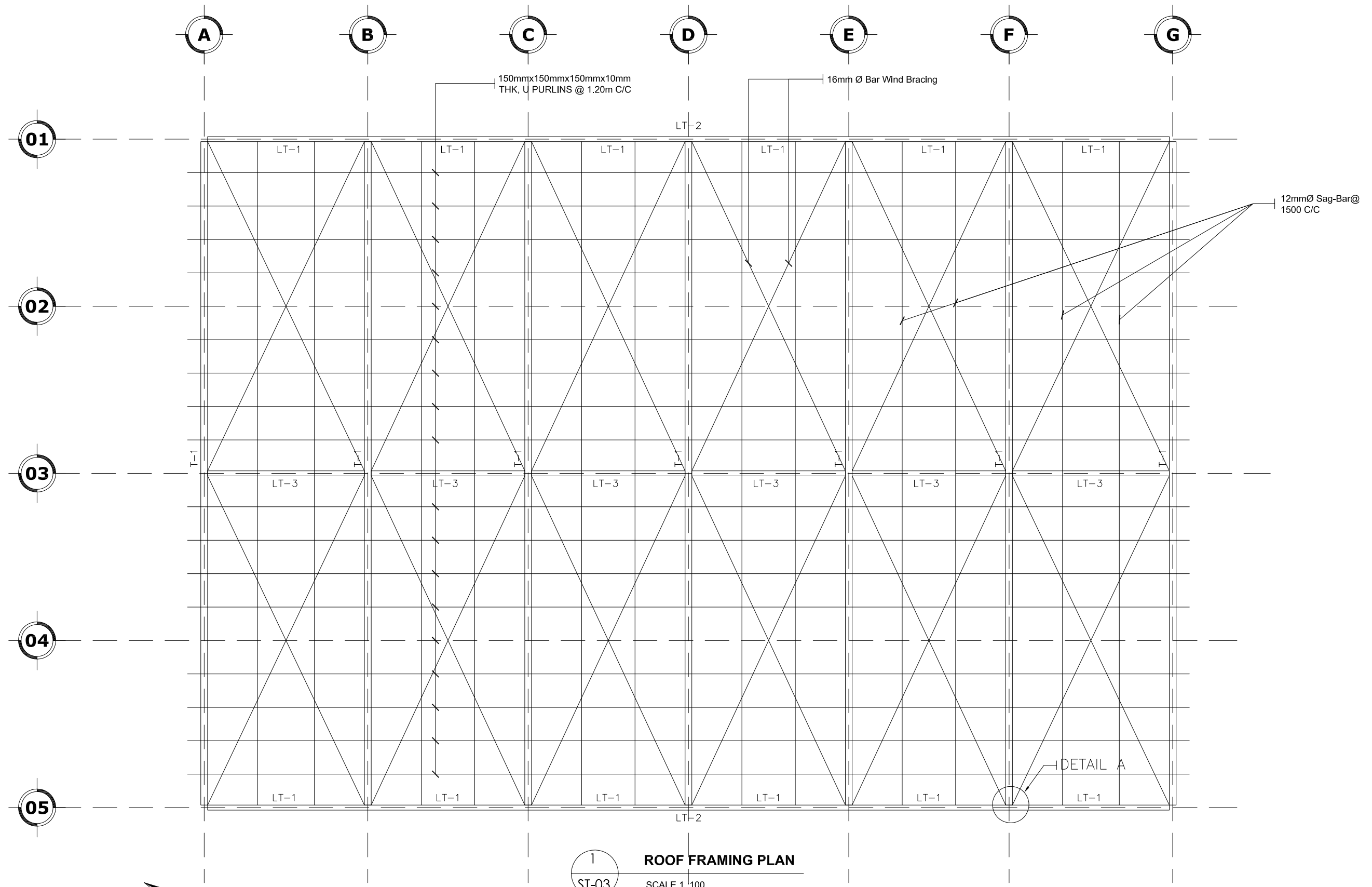
Subproject V5: Vang Vieng Solid Waste Management Improvements

TITLE:
MRF- COLUMN LAYOUT PLAN

DRAWING NO.: RAM-LAO-DED-W04-ST-01-1

SHEET NO.: 00 OF 00
SCALE: A3

REV: R01 DATE: JULY 2020




1
ST-03
ROOF FRAMING PLAN
SCALE 1 : 100

 **MRF : Column Layout Plan**
Scale :- 1:175

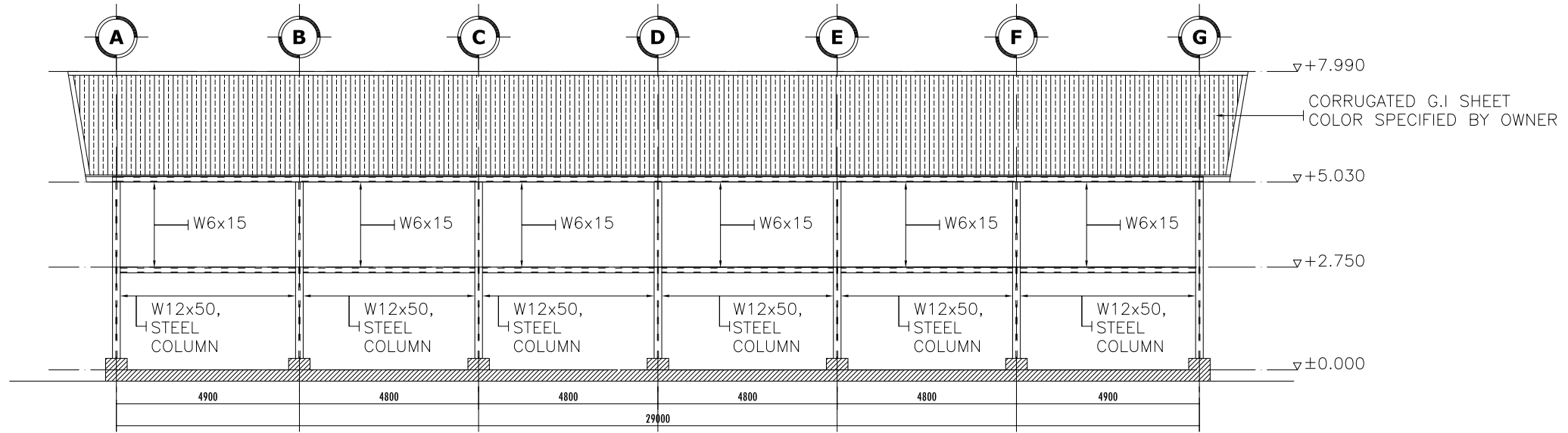
LEAD CONSULTANT :
RAMBOLL
Hannemanns Alle 53
DK-2300 København S
Tlf. +45 5161 1000
Fax +45 5161 1001
www.ramboll.dk

SUB-CONSULTANT:
 **Waste Concern Consultants**
Level- 4, House No.- 120/B, (Masjid Road) Road- 7
New DOHS Mohakhali Dhaka- 1207, Bangladesh
Tlf. + 880-2-48810-841, + 880-2-48810-842
Fax. + 880-2- 9899-486, Email- office@wasteconcern.org
www.wasteconcern.org

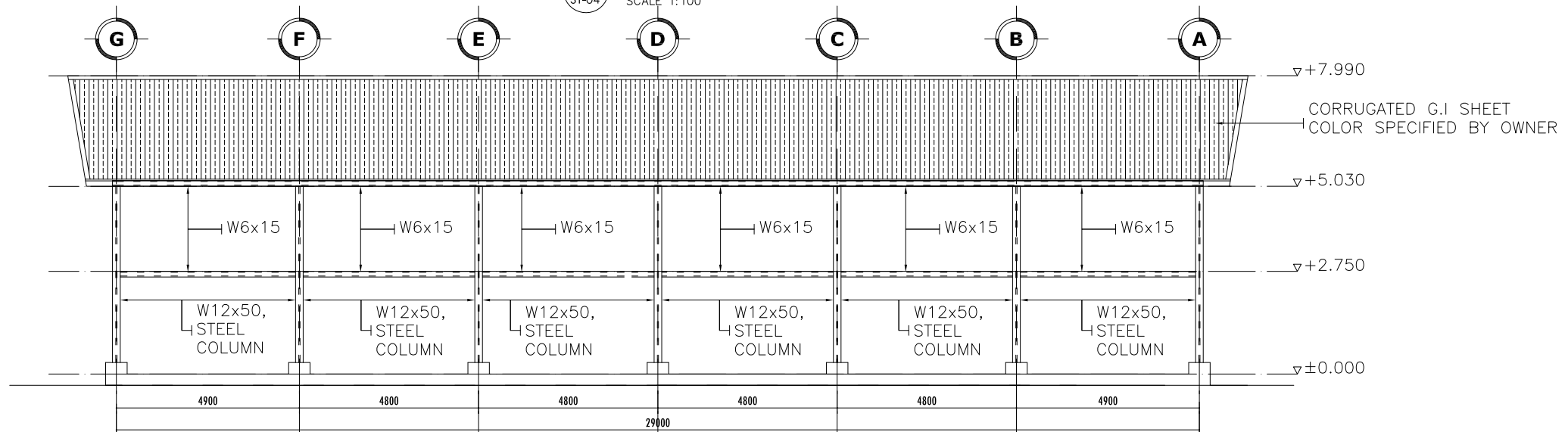
CLIENT :
 **LAOS**
LAO PEOPLE'S DEMOCRATIC REPUBLIC (LAO PDR)
MINISTRY OF INFORMATION, CULTURE AND TOURISM

DESIGNED/DRAWN:			
CHECKED:			
APPROVED:			
REV.	DATE	DESCRIPTION	DRN
R01	20.07.2020	PRELIMINARY ISSUE	

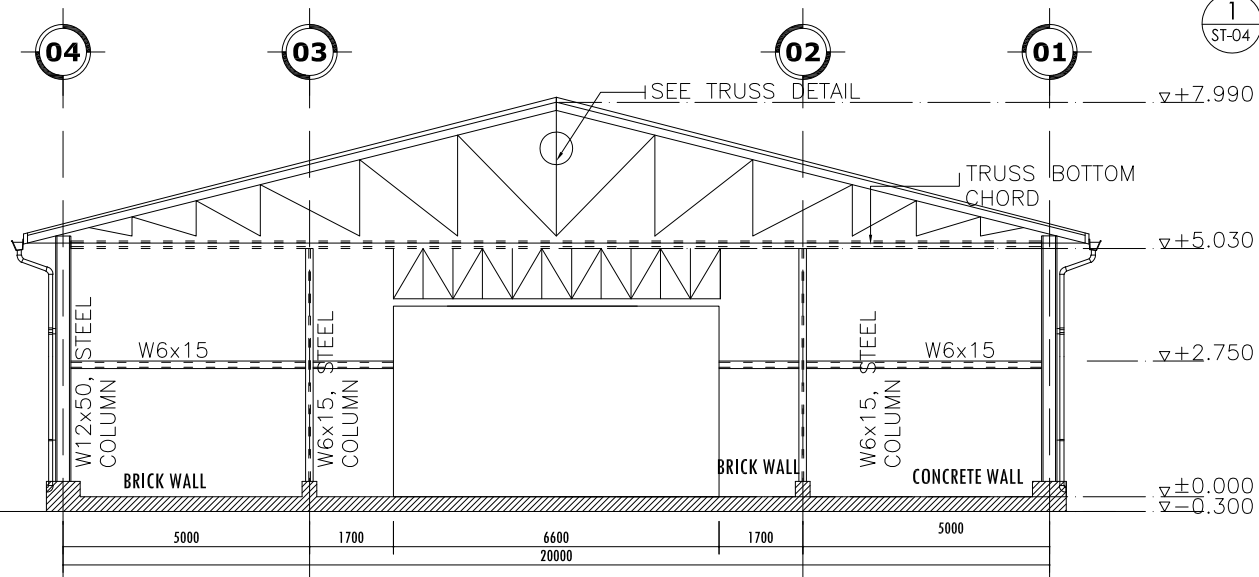
NAME OF PROJECT: 2ND GMS -TOURISM INFRASTRUCTURE FOR INCLUSIVE GROWTH WORKS PACKAGE -TIIGP2-LAO-W04 Subproject V5: Vang Vieng Solid Waste Management Improvements		SHEET NO.:	SHEET SIZE:
TITLE: MRF- ROOF FRAMING LAY-OUT PLAN		00 OF 00	A3
DRAWING NO.: RAM-LAO-DED-W04-ST-01-10		SCALE:	REV: R01
		DATE:	JULY 2020



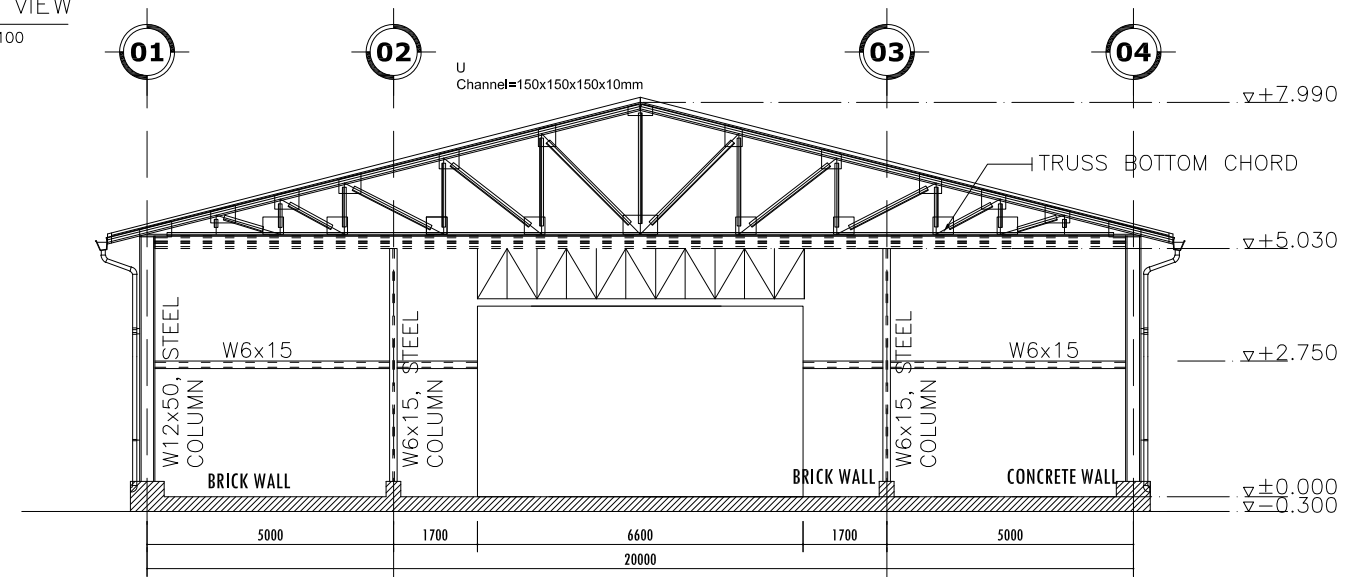
1 FRONT VIEW
ST-04 SCALE 1:100



1 BACK VIEW
ST-04 SCALE 1:100



1 RIGHT SIDE VIEW
ST-04 SCALE 1:100



1 LEFT SIDE VIEW
ST-04 SCALE 1:100

LEAD CONSULTANT :



Hannemanns Alle 53
DK-2300 København S
Tlf. +45 5161 1000
Fax +45 5161 1001
www.ramboll.dk

SUB-CONSULTANT:



Waste Concern Consultants
Level- 4, House No.- 120/B, (Masjid Road) Road- 7
New DOHS Mohakhali Dhaka- 1207, Bangladesh
Tlf. + 880-2-48810-841, + 880-2-48810-842
Fax. + 880-2- 9899-486, Email- office@wasteconcern.org
www.wasteconcern.org

CLIENT :



LAO PEOPLE'S DEMOCRATIC REPUBLIC (LAO PDR)
MINISTRY OF INFORMATION, CULTURE AND TOURISM

REV.	DATE	DESCRIPTION	DRN
R01	20.07.2020	PRELIMINARY ISSUE	

DESIGNED/DRAWN:

CHECKED:

APPROVED:

NAME OF PROJECT:
**2ND GMS -TOURISM INFRASTRUCTURE FOR INCLUSIVE GROWTH
WORKS PACKAGE -TIIGP2-LAO-W04**

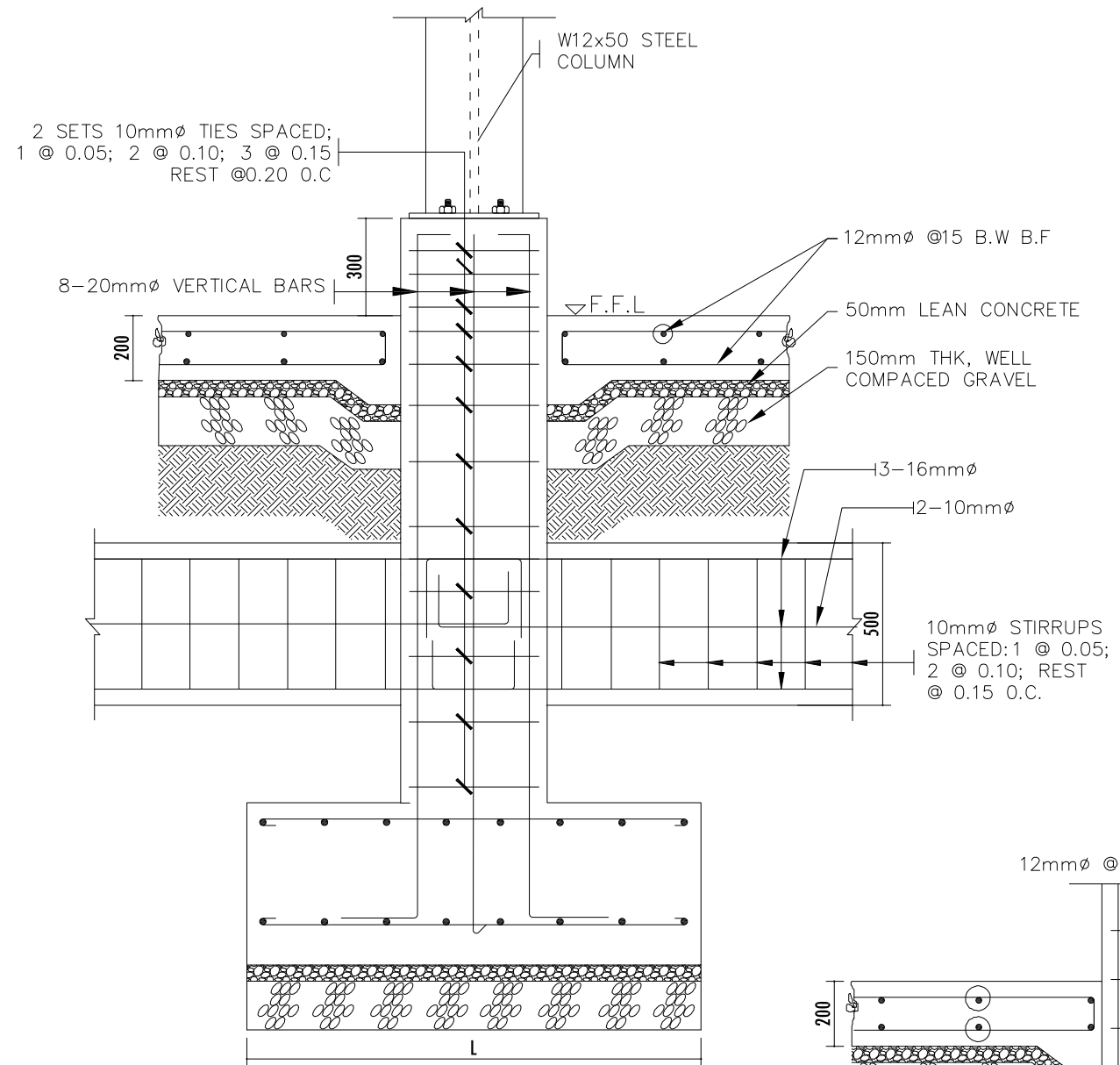
Subproject V5: Vang Vieng Solid Waste Management Improvements

TITLE:
MRF-FRAMING ELEVATIONS

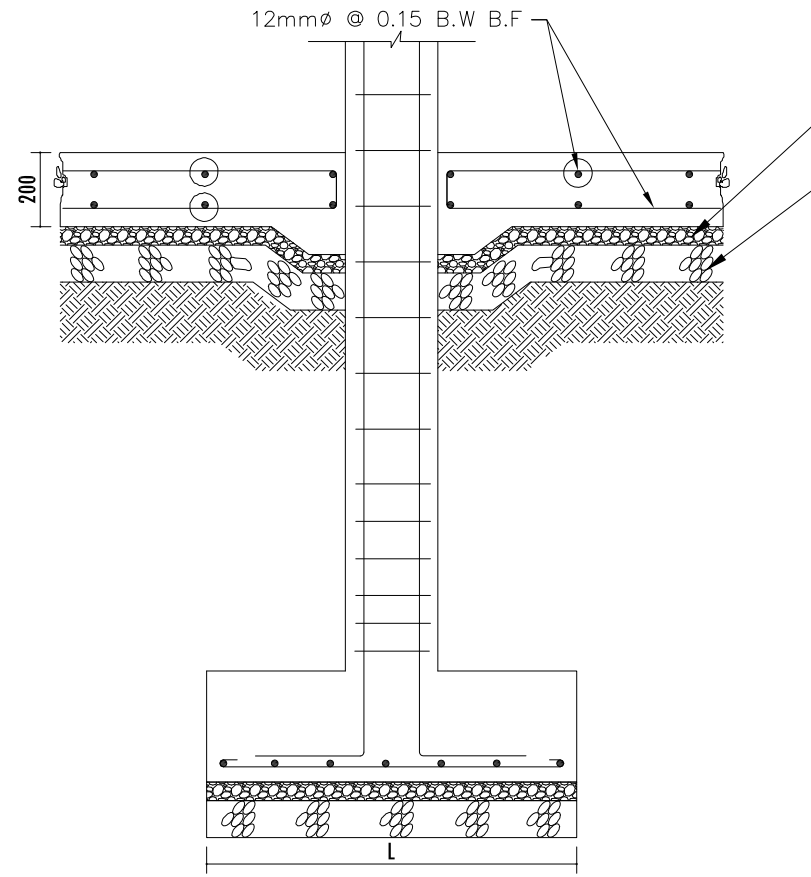
DRAWING NO.: RAM-LAO-DED-W04-ST-01-11

SHEET NO.: 00 OF 00
SHEET SIZE: A3

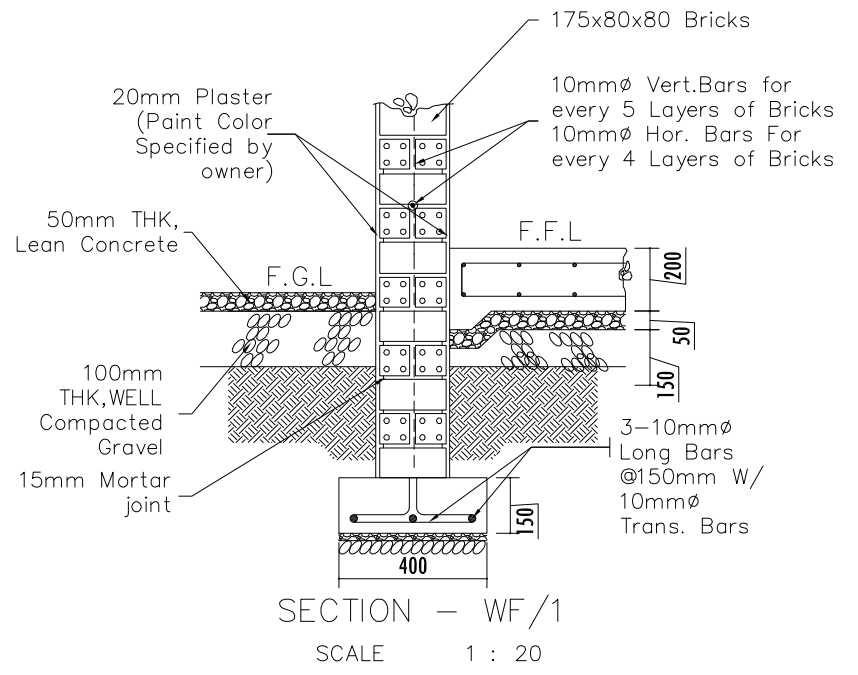
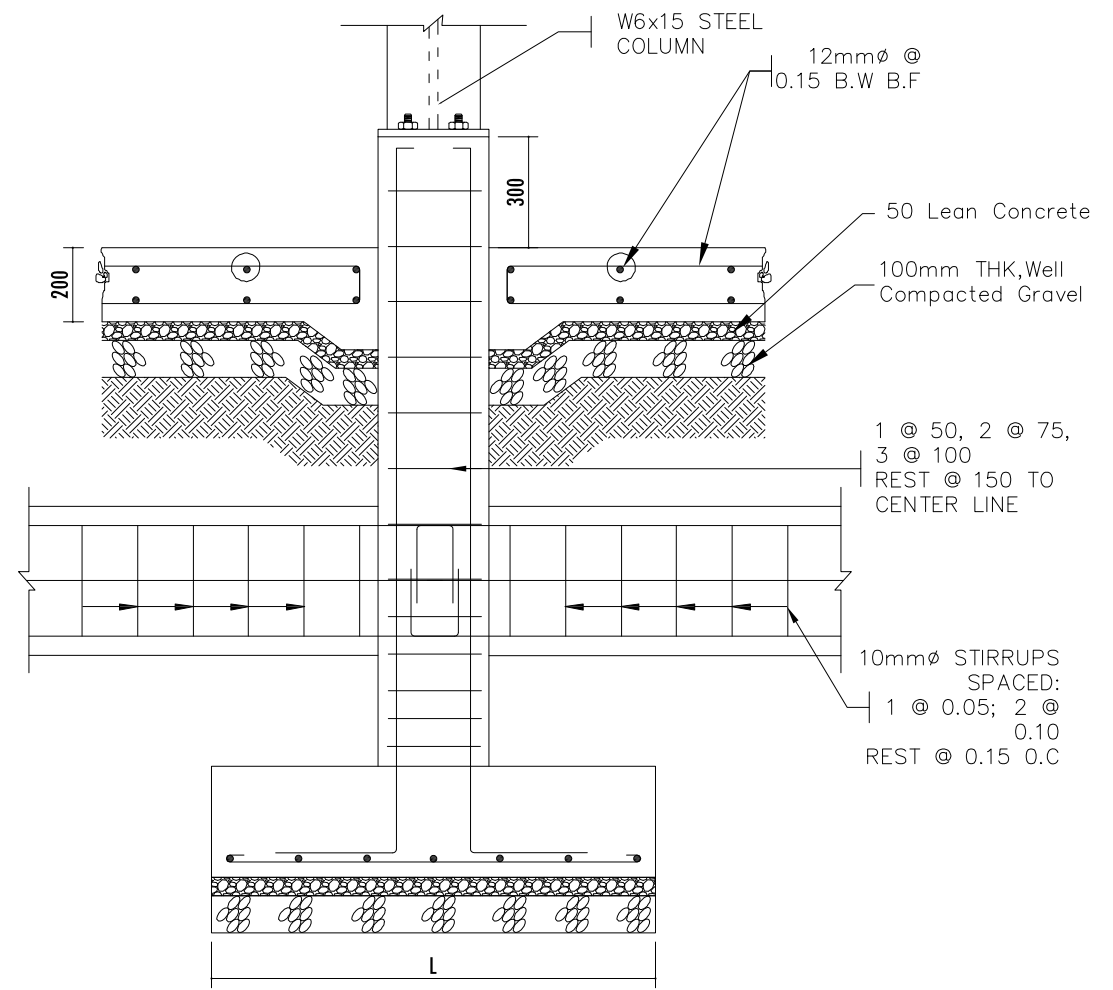
REV: R01 DATE: JULY 2020



1B P1F1 SECTION
ST-02 SCALE 1 : 20



2B C1F2 PLAN
ST-02 SCALE 1 : 20



LEAD CONSULTANT :

RAMBOLL

Hannemanns Alle 53
DK-2300 København S
Tlf. +45 5161 1000
Fax +45 5161 1001
www.ramboll.dk

SUB-CONSULTANT:

Waste Concern Consultants

Level- 4, House No.- 120/B, (Masjid Road) Road- 7
New DOHS Mohakhali Dhaka- 1207, Bangladesh
Tlf. + 880-2-48810-841, + 880-2-48810-842
Fax. + 880-2- 9899-486, Email- office@wasteconcern.org
www.wasteconcern.org

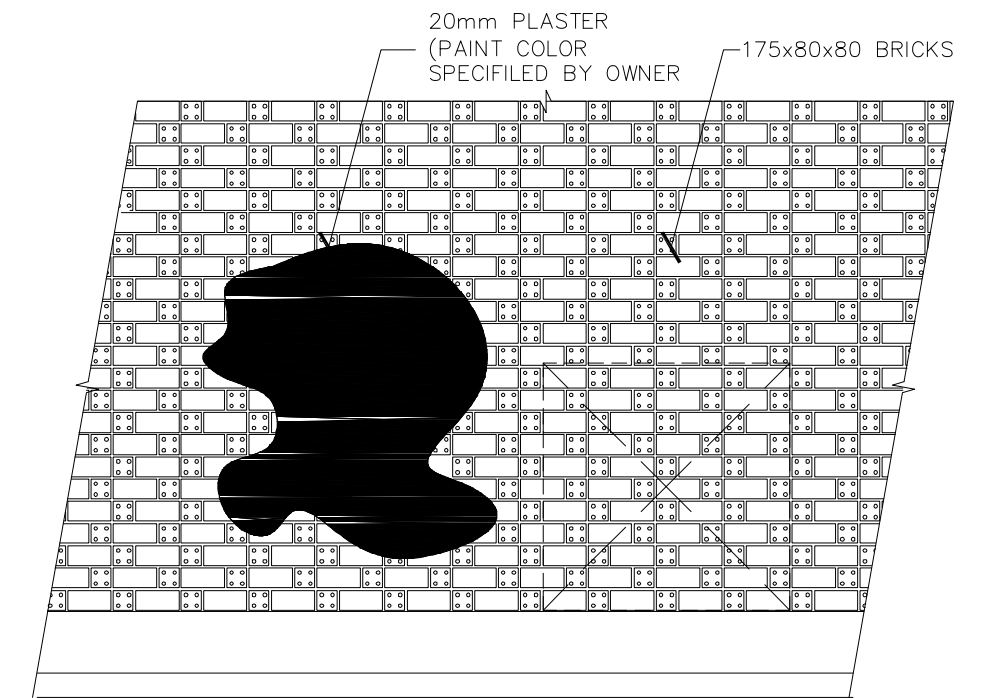
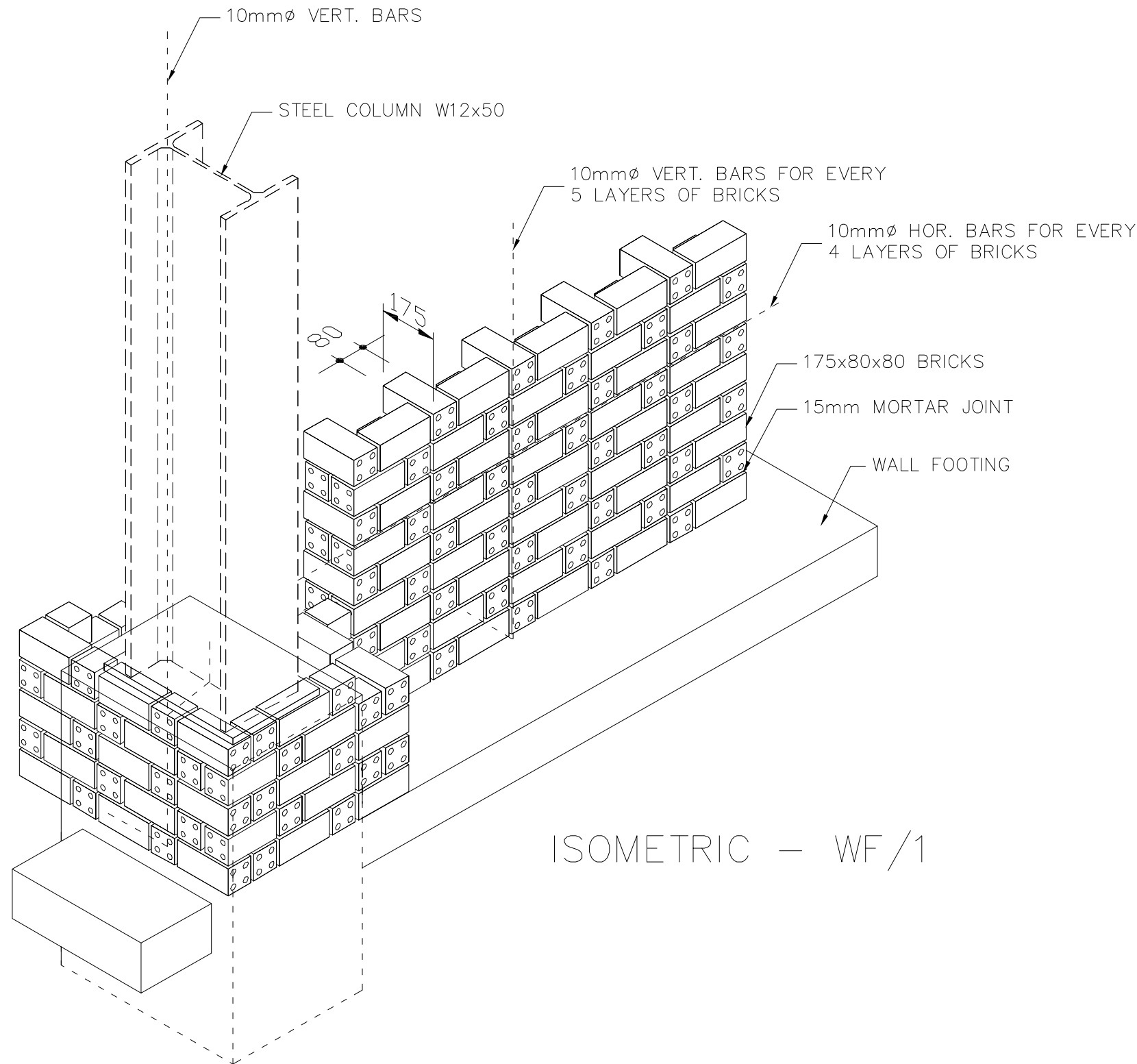
CLIENT :

LAOS

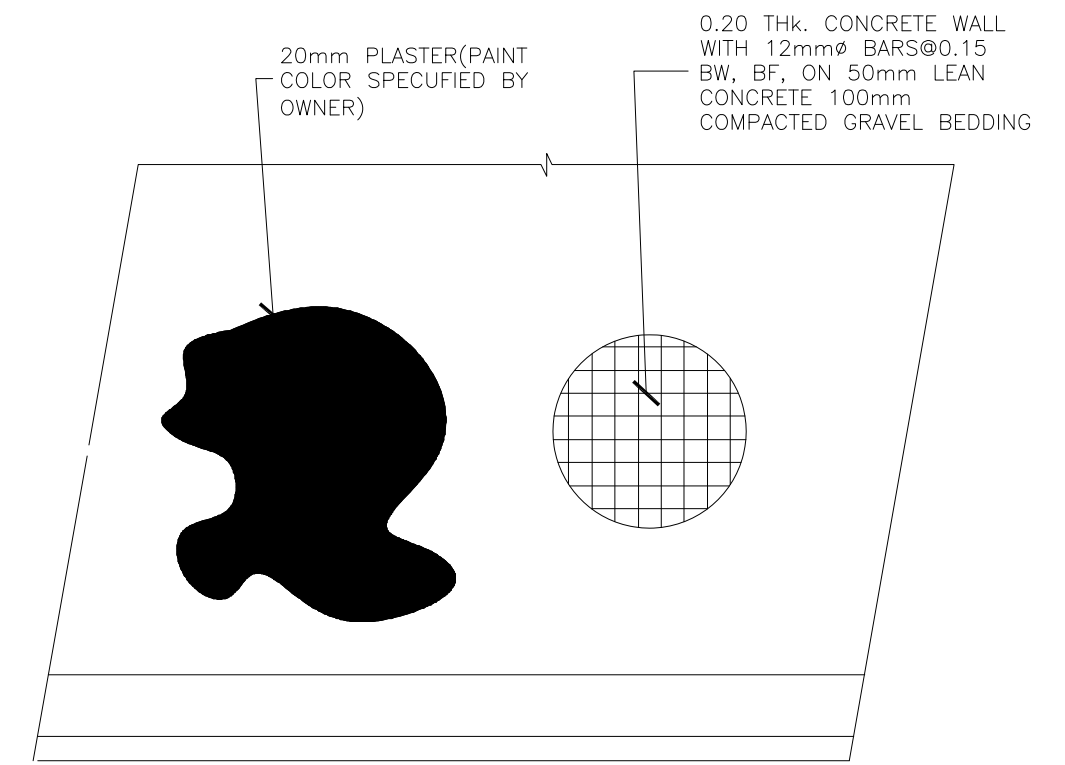
LAO PEOPLE'S DEMOCRATIC REPUBLIC (LAO PDR)
MINISTRY OF INFORMATION, CULTURE AND TOURISM

REV.	DATE	DESCRIPTION	DRN
R01	20.07.2020	PRELIMINARY ISSUE	

DESIGNED/DRAWN:	NAME OF PROJECT:	SHEET NO.:	SHEET SIZE:
CHECKED:	2ND GMS -TOURISM INFRASTRUCTURE FOR INCLUSIVE GROWTH	00 OF 00	A3
APPROVED:	WORKS PACKAGE -TIIG2-LAO-W04	SCALE:	
	Subproject V5: Vang Vieng Solid Waste Management Improvements		
	TITLE: MRF- REINFORCEMENT AND STRUCTURAL DETAILS	REV:	DATE:
	DRAWING NO.: RAM-LAO-DED-W04-ST-01-13	R01	JULY 2020



ELEVATION OF BRICK WALL



ELEVATION OF CONCRETE WALL

LEAD CONSULTANT :

RAMBOLL

Hannemanns Alle 53
DK-2300 København S
Tlf. +45 5161 1000
Fax +45 5161 1001
www.ramboll.dk

SUB-CONSULTANT:

Waste Concern Consultants

Level- 4, House No.- 120/B, (Masjid Road) Road- 7
New DOHS Mohakhali Dhaka- 1207, Bangladesh
Tlf. + 880-2-48810-841, + 880-2-48810-842
Fax. + 880-2- 9899-486, Email- office@wasteconcern.org
www.wasteconcern.org

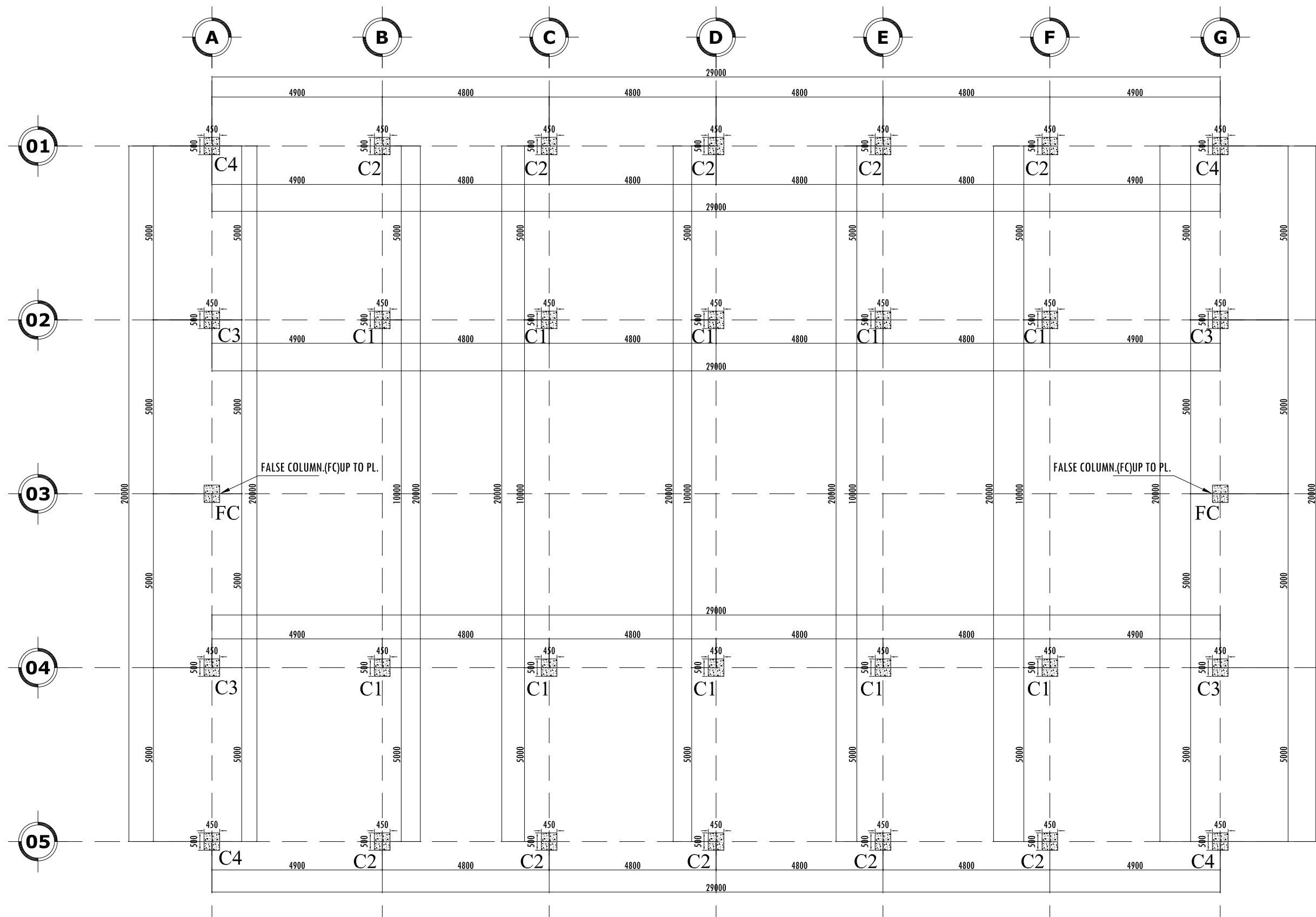
CLIENT :


LAOS

LAO PEOPLE'S DEMOCRATIC REPUBLIC (LAO PDR)
MINISTRY OF INFORMATION, CULTURE AND TOURISM

REV.	DATE	DESCRIPTION	DRN
R01	20.07.2020	PRELIMINARY ISSUE	

DESIGNED/DRAWN:	NAME OF PROJECT:	SHEET NO.:	SHEET SIZE:
CHECKED:	2ND GMS -TOURISM INFRASTRUCTURE FOR INCLUSIVE GROWTH	00	00
APPROVED:	WORKS PACKAGE -TIIGP2-LAO-W04	SCALE:	A3
	Subproject V5: Vang Vieng Solid Waste Management Improvements		
	TITLE:	REV:	DATE:
	ALL BUILDING- REINFORCEMENT AND STRUCTURAL DETAILS	R01	JULY 2020
	DRAWING NO.:		
	RAM-LAO-DED-W04-ST-01-14		



 **MRF: Column Marking with Dimension Detail
Layout Plan**
Scale :- 1:175

LEAD CONSULTANT :



Hannemanns Alle 53
DK-2300 København S
Tlf. +45 5161 1000
Fax +45 5161 1001
www.ramboll.dk

SUB-CONSULTANT:



Waste Concern Consultants
Level- 4, House No.- 120/B, (Masjid Road) Road- 7
New DOHS Mohakhali Dhaka- 1207, Bangladesh
Tlf. + 880-2-48810-841, + 880-2-48810-842
Fax. + 880-2- 9899-486, Email- office@wasteconcern.org
www.wasteconcern.org

CLIENT :

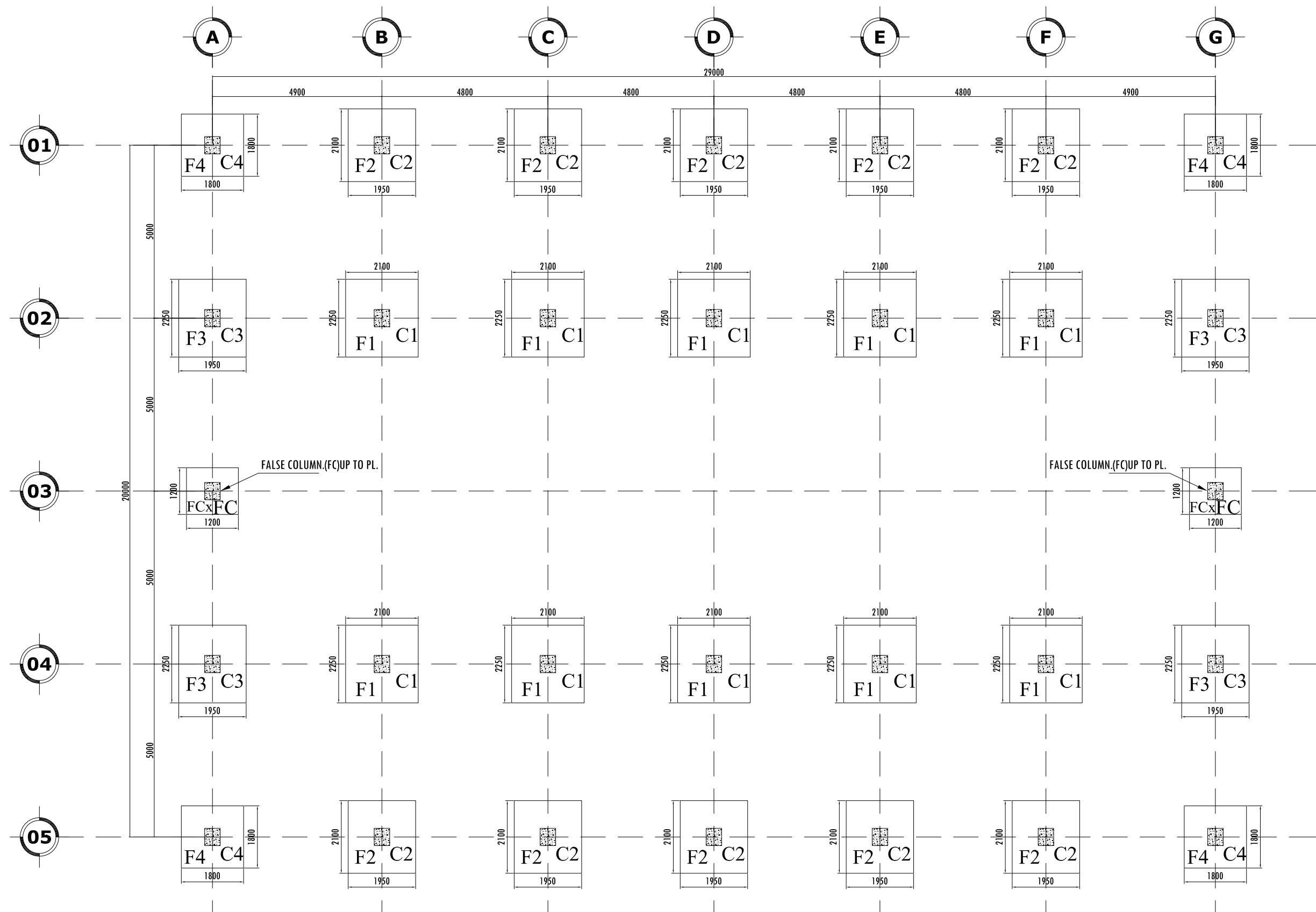


LAO PEOPLE'S DEMOCRATIC REPUBLIC (LAO PDR)
MINISTRY OF INFORMATION, CULTURE AND TOURISM

REV.	DATE	DESCRIPTION	DRN
R01	20.07.2020	PRELIMINARY ISSUE	

DESIGNED/DRAWN:	
CHECKED:	
APPROVED:	

NAME OF PROJECT:		2ND GMS –TOURISM INFRASTRUCTURE FOR INCLUSIVE GROWTH	
		WORKS PACKAGE -TIIGP2-LAO-W04	
		Subproject V5: Vang Vieng Solid Waste Management Improvements	
TITLE:	MRF- COLUMN MARKING LAYOUT PLAN		SHEET NO.:
			00 OF 00
			SHEET SIZE: A3
DRAWING NO.:	RAM-LAO-DED-W04-ST-01-2		SCALE:
	REV:	DATE:	
	R01	JULY 2020	



MRF: Footing Marking with Dimension Detail Layout Plan
Scale :- 1:175

LEAD CONSULTANT :
RAMBOLL
Hannemanns Alle 53
DK-2300 København S
Tlf. +45 5161 1000
Fax +45 5161 1001
www.ramboll.dk

SUB-CONSULTANT:
Waste Concern Consultants
Level- 4, House No.- 120/B, (Masjid Road) Road- 7
New DOHS Mohakhali Dhaka- 1207, Bangladesh
Tlf. + 880-2-48810-841, + 880-2-48810-842
Fax. + 880-2- 9899-486, Email- office@wasteconcern.org
www.wasteconcern.org

CLIENT :
LAOS
LAO PEOPLE'S DEMOCRATIC REPUBLIC (LAO PDR)
MINISTRY OF INFORMATION, CULTURE AND TOURISM

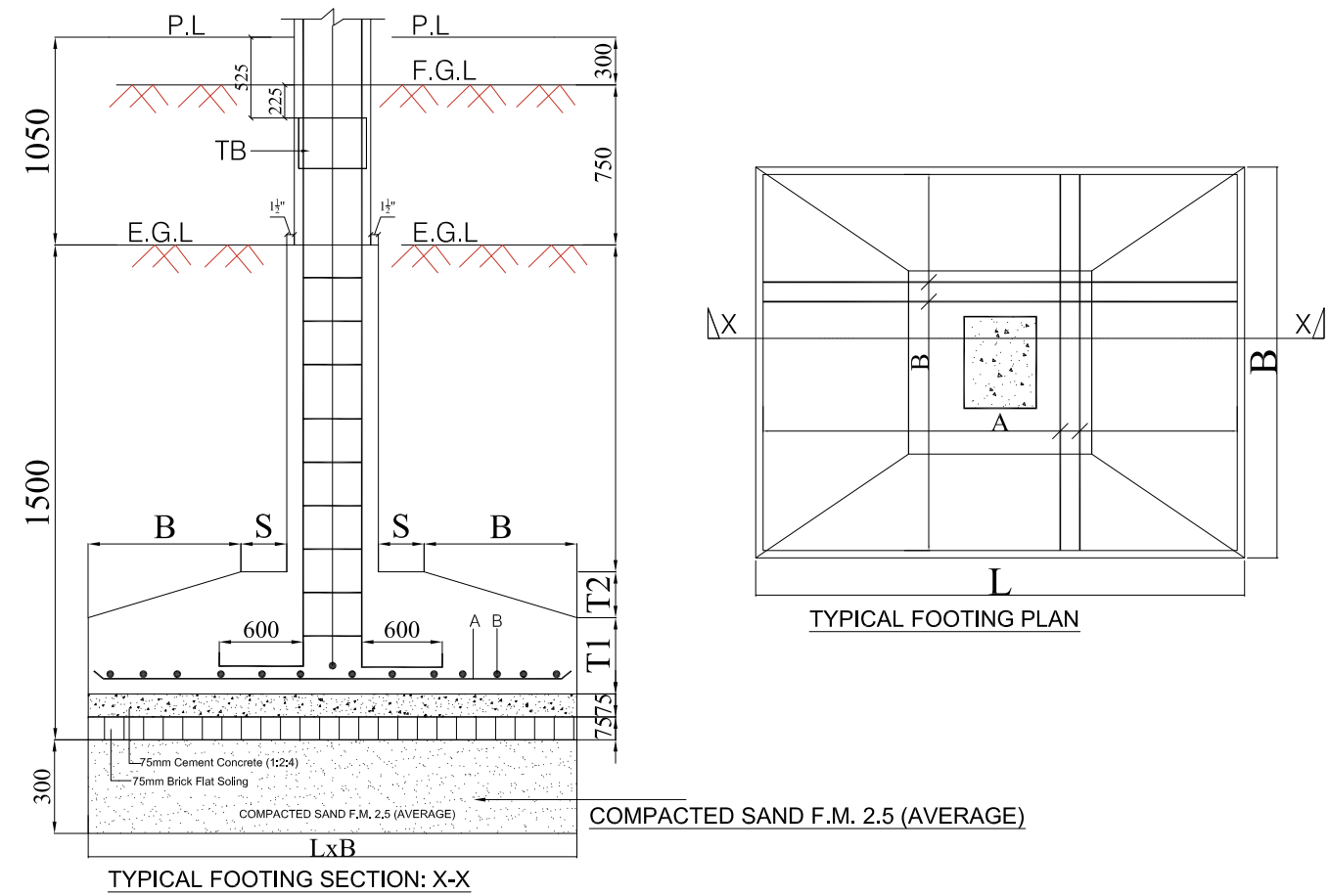
REV.	DATE	DESCRIPTION	DRN
RO1	20.07.2020	PRELIMINARY ISSUE	

DESIGNED/DRAWN: _____
CHECKED: _____
APPROVED: _____
NAME OF PROJECT:
2ND GMS -TOURISM INFRASTRUCTURE FOR INCLUSIVE GROWTH
WORKS PACKAGE -TIIGP2-LAO-W04
Subproject V5: Vang Vieng Solid Waste Management Improvements
TITLE:
MRF- FOOTING MARKING LAYOUT PLAN
DRAWING NO.: RAM-LAO-DED-W04-ST-01-3
SHEET NO.: 00 OF 00
SHEET SIZE: A3
SCALE:
REV: R01
DATE: JULY 2020

R.C.C COLUMN SCHEDULE

SCALE 1 : 30

NAME OF COL.	BELOW GROUND FLOOR		GROUND FLOOR UP TO 3.0 M.		STIRRUPS AT ALL FLOORS
	SIZE	VER. BAR	SIZE	VER. BAR	
C1	525X575	10-20mmØ	450X500	10-20mmØ	10 mm Ø @ 100 to 200c/c ¼th of clear ht. @ 100c/c & ¼th of mid ht. @ 200c/c
C2	525X575	10-20mmØ	450X500	10-20mmØ	
C3	525X575	8-20mmØ	450X500	8-20mmØ	
C4	525X575	6-20mmØ	450X500	8-20mmØ	
C5	325X325	8-16mmØ	250X250	8-16mmØ	
FC	325X325	6-16mmØ	FALSE COLUMN. (FC) UP TO PL.		



Arrangement of vertical bar & ties



10 NOS



8 NOS



6 NOS

R.C.C. FOOTING SCHEDULE

SCALE 1 : 30

NAME OF FOOTING	SIZE LxB	T1	T2	S	B	A x B
F1	2100 X 2250	300	125	250	540	16 mm Ø @ 100C/C bothways
F2	1950 X 2100	300	125	250	460	16 mm Ø @ 110C/C bothways
F3	1950 X 2250	275	120	250	460	16 mm Ø @110C/C bothways
F4	1800 X 1800	275	120	250	390	16 mm Ø @125C/C bothways
F5	1350 x 1500	250	120	200	312	16 mm Ø @ 150 C/C bothways
FCx	1200 x 1200	225	100	150	290	12 mm Ø @ 125 C/C bothways

LEAD CONSULTANT :



Hannemanns Alle 53
DK-2300 København S
Tlf. +45 5161 1000
Fax +45 5161 1001
www.ramboll.dk

SUB-CONSULTANT:



Waste Concern Consultants

Level- 4, House No.- 120/B, (Masjid Road) Road- 7
New DOHS Mohakhali Dhaka- 1207, Bangladesh
Tlf. + 880-2-48810-841, + 880-2-48810-842
Fax. + 880-2- 9899-486, Email- office@wasteconcern.org
www.wasteconcern.org

CLIENT :



LAO PEOPLE'S DEMOCRATIC REPUBLIC (LAO PDR)
MINISTRY OF INFORMATION, CULTURE AND TOURISM

REV.	DATE	DESCRIPTION	DRN
R01	20.07.2020	PRELIMINARY ISSUE	

DESIGNED/DRAWN:

CHECKED:

APPROVED:

NAME OF PROJECT:
2ND GMS -TOURISM INFRASTRUCTURE FOR INCLUSIVE GROWTH
WORKS PACKAGE -TIIGP2-LAO-W04

Subproject V5: Vang Vieng Solid Waste Management Improvements

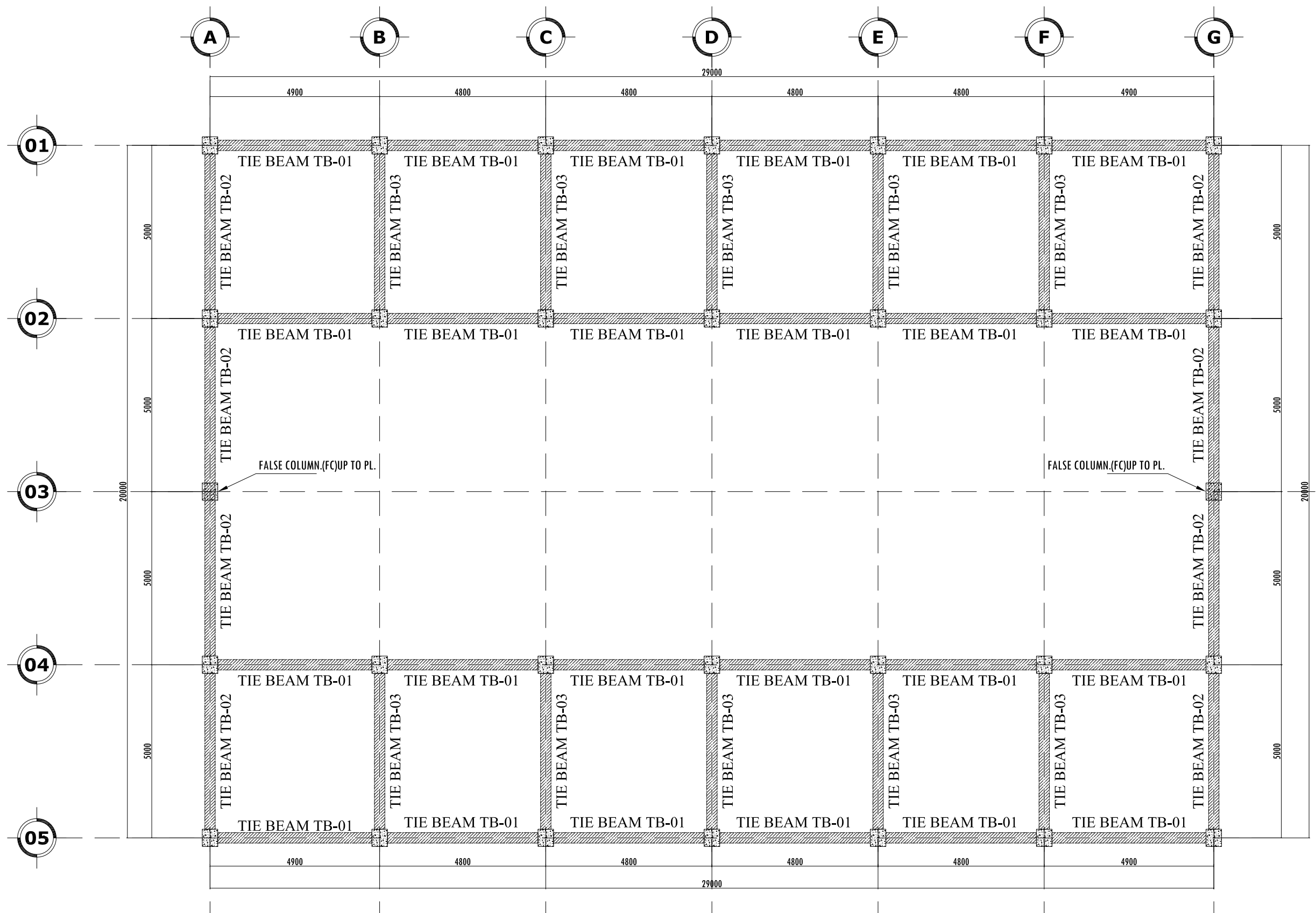
TITLE:
MRF- COLUMN & FOOTING SCHEDULE

DRAWING NO.: RAM-LAO-DED-W04-ST-01-4

SHEET NO.: 00 OF 00

SHEET SIZE: A3


SCALE:
REV: R01 DATE: JULY 2020



MRF: Tie Beam Marking with Dimension Layout Plan
 Scale :- 1:175

LEAD CONSULTANT :
RAMBOLL
 Hannemanns Alle 53
 DK-2300 København S
 Tlf. +45 5161 1000
 Fax +45 5161 1001
 www.ramboll.dk

SUB-CONSULTANT:
 **Waste Concern Consultants**
 Level- 4, House No.- 120/B, (Masjid Road) Road- 7
 New DOHS Mohakhali Dhaka- 1207, Bangladesh
 Tlf. + 880-2-48810-841, + 880-2-48810-842
 Fax. + 880-2- 9899-486, Email- office@wasteconcern.org
 www.wasteconcern.org

CLIENT :
 **LAOS**
LAO PEOPLE'S DEMOCRATIC REPUBLIC (LAO PDR)
MINISTRY OF INFORMATION, CULTURE AND TOURISM

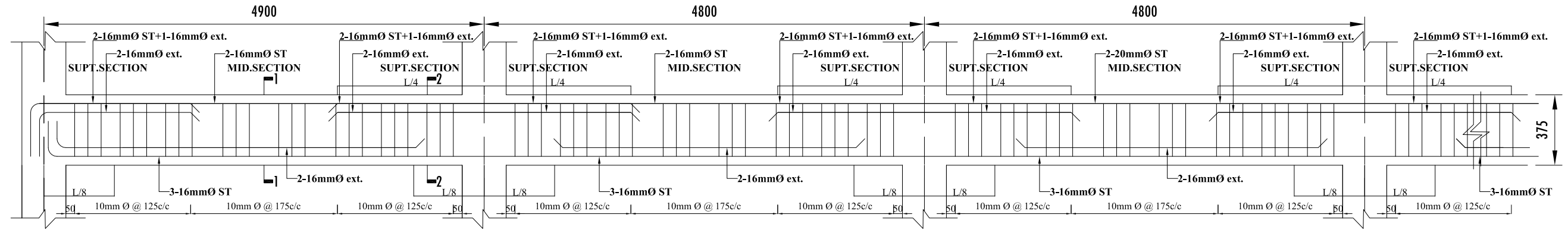
DESIGNED/DRAWN:	
CHECKED:	
APPROVED:	
REV.	DATE
R01	20.07.2020
	PRELIMINARY ISSUE
	DESCRIPTION
	DRN

NAME OF PROJECT:
2ND GMS -TOURISM INFRASTRUCTURE FOR INCLUSIVE GROWTH
WORKS PACKAGE -TIIGP2-LAO-W04
Subproject V5: Vang Vieng Solid Waste Management Improvements

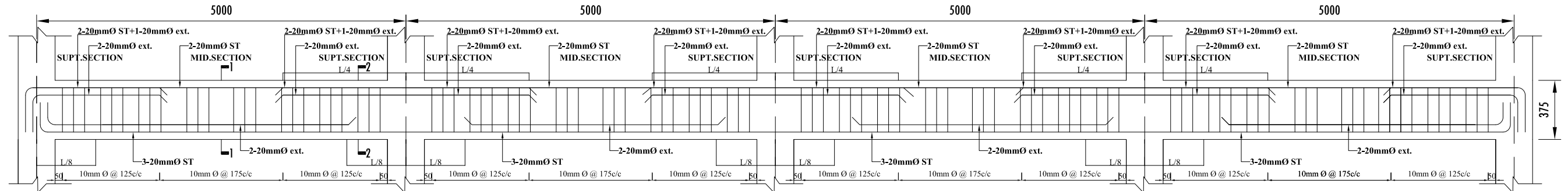
TITLE:
MRF- TIE BEAM LAYOUT PLAN

DRAWING NO.: RAM-LAO-DED-W04-ST-01-5

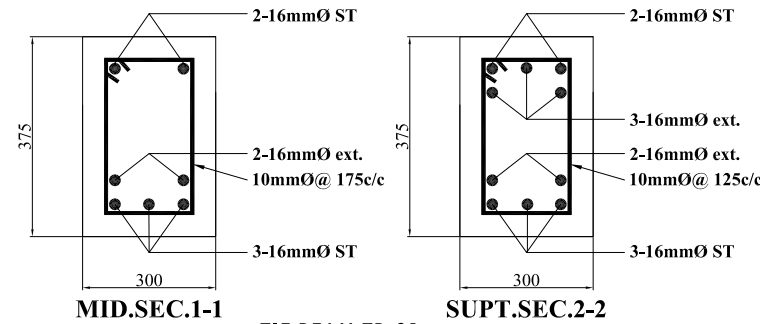
SHEET NO.:	SHEET SIZE:
00 OF 00	A3
SCALE:	
REV:	DATE:
R01	JULY 2020



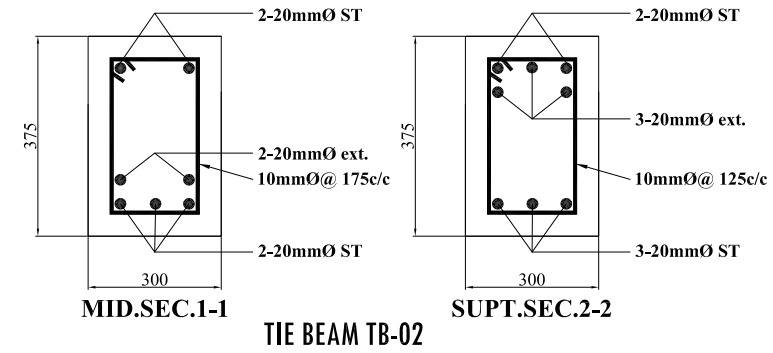
TIE BEAM TB-01



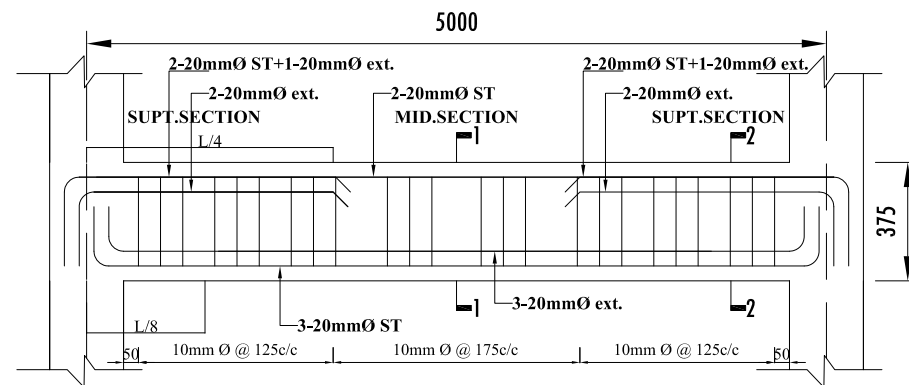
TIE BEAM TB-02



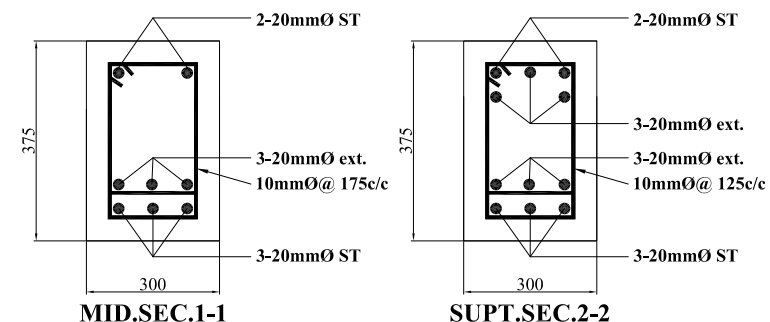
TIE BEAM TB-01



TIE BEAM TB-02



TIE BEAM TB-03



TIE BEAM TB-03

LEAD CONSULTANT :



Hannemanns Alle 53
DK-2300 København S
Tlf. +45 5161 1000
Fax +45 5161 1001
www.ramboll.dk

SUB-CONSULTANT:



Waste Concern Consultants

Level- 4, House No.- 120/B, (Masjid Road) Road-7
New DOHS Mohakhali Dhaka- 1207, Bangladesh
Tlf. + 880-2-48810-841, + 880-2-48810-842
Fax. + 880-2- 9899-486, Email- office@wasteconcern.org
www.wasteconcern.org

CLIENT :



LAO PEOPLE'S DEMOCRATIC REPUBLIC (LAO PDR)
MINISTRY OF INFORMATION, CULTURE AND TOURISM

REV.	DATE	DESCRIPTION	DRN
RO1	20.07.2020	PRELIMINARY ISSUE	

DESIGNED/DRAWN:

CHECKED:

APPROVED:

NAME OF PROJECT:
2ND GMS -TOURISM INFRASTRUCTURE FOR INCLUSIVE GROWTH
WORKS PACKAGE -TIIGP2-LAO-W04

Subproject V5: Vang Vieng Solid Waste Management Improvements

TITLE:
MRF- TIE BEAM LONG & CROSS SECTION

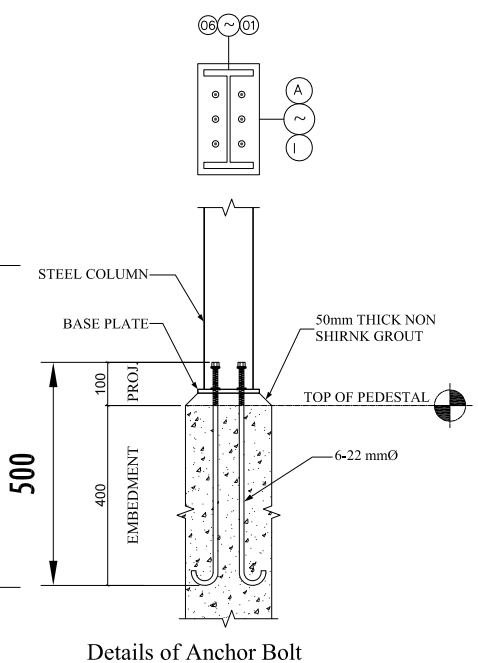
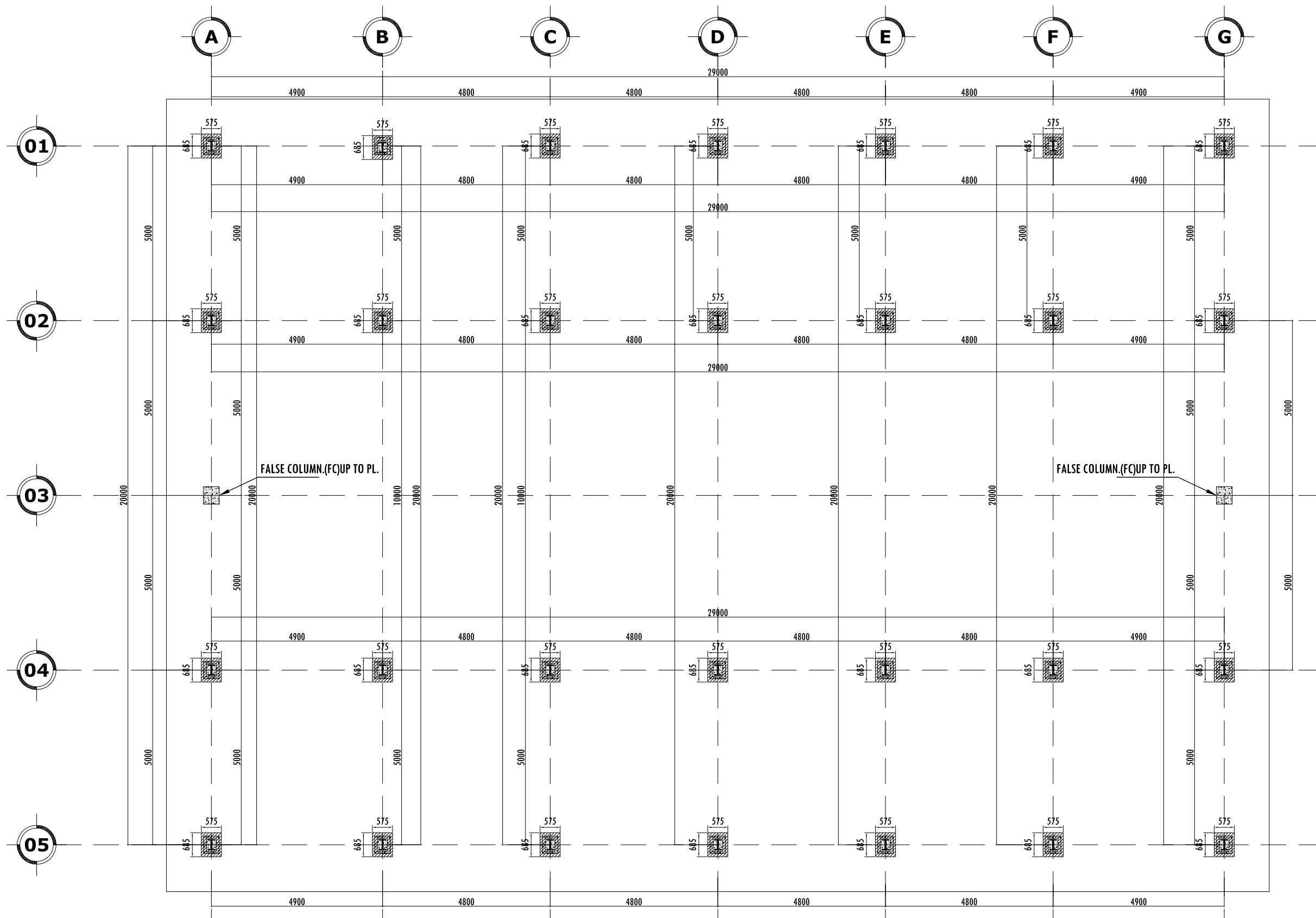
DRAWING NO.: RAM-LAO-DED-W04-ST-01-6

SHEET NO.: 00 OF 00

SHEET SIZE: A3

SCALE:

REV: R01 DATE: JULY 2020



MRF: Anchor Bolt above ± 0.0 m. Level from PL
Steel Column Lay-Out Plan

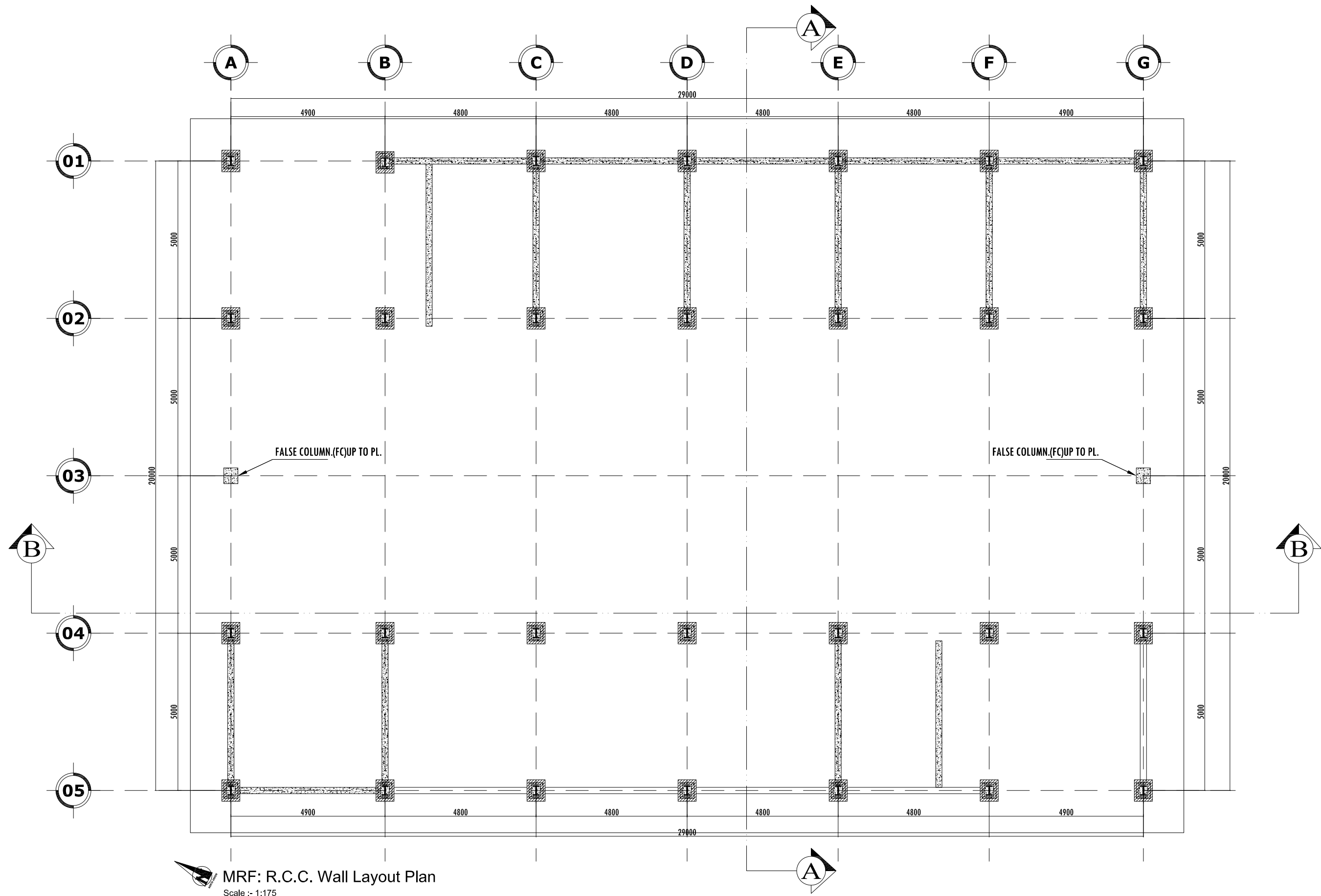
LEAD CONSULTANT :
RAMBOLL
Hannemanns Alle'53
DK-2300 København S
Tlf. +45 5161 1000
Fax +45 5161 1001
www.ramboll.dk

SUB-CONSULTANT:
Waste Concern Consultants
Level- 4, House No.- 120/B, (Masjid Road) Road- 7
New DOHS Mohakhali Dhaka- 1207, Bangladesh
Tlf. + 880-2-48810-841, + 880-2-48810-842
Fax. + 880-2- 9899-486, Email- office@wasteconcern.org
www.wasteconcern.org

CLIENT :
LAOS
LAO PEOPLE'S DEMOCRATIC REPUBLIC (LAO PDR)
MINISTRY OF INFORMATION, CULTURE AND TOURISM

REV.	DATE	DESCRIPTION	DRN
R01	20.07.2020	PRELIMINARY ISSUE	

DESIGNED/DRAWN:	NAME OF PROJECT: 2ND GMS -TOURISM INFRASTRUCTURE FOR INCLUSIVE GROWTH WORKS PACKAGE -TIIGP2-LAO-W04 Subproject V5: Vang Vieng Solid Waste Management Improvements	SHEET NO.:	SHEET SIZE:
CHECKED:	TITLE: MRF- COLUMN LAYOUT PLAN $\pm 0m$ LEVEL	00 OF 00	A3
APPROVED:	DRAWING NO.:	SCALE:	REV:
	RAM-LAO-DED-W04-ST-01-7		R01
		DATE:	JULY 2020



LEAD CONSULTANT :



Hannemanns Alle 53
DK-2300 København S
Tlf. +45 5161 1000
Fax +45 5161 1001
www.ramboll.dk

SUB-CONSULTANT:



Waste Concern Consultants

Level- 4, House No.- 120/B, (Masjid Road) Road- 7
New DOHS Mohakhali Dhaka- 1207, Bangladesh
Tlf. + 880-2-48810-841, + 880-2-48810-842
Fax. + 880-2- 9899-486, Email- office@wasteconcern.org
www.wasteconcern.org

CLIENT :



LAO PEOPLE'S DEMOCRATIC REPUBLIC (LAO PDR)
MINISTRY OF INFORMATION, CULTURE AND TOURISM

REV.	DATE	DESCRIPTION	DRN
R01	20.07.2020	PRELIMINARY ISSUE	

DESIGNED/DRAWN:

CHECKED:

APPROVED:

NAME OF PROJECT:
2ND GMS -TOURISM INFRASTRUCTURE FOR INCLUSIVE GROWTH
WORKS PACKAGE -TIIGP2-LAO-W04

Subproject V5: Vang Vieng Solid Waste Management Improvements

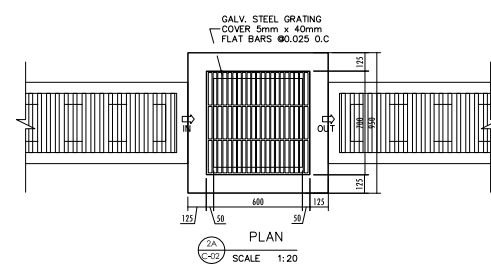
TITLE:
MRF- R.C.C WALL LAYOUT PLAN

DRAWING NO.: RAM-LAO-DED-W04-ST-01-8

SHEET NO.: 00 OF 00
SHEET SIZE: A3

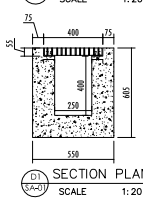
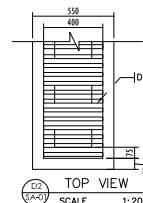
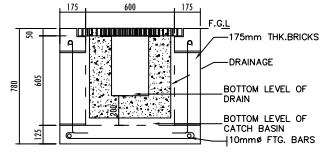
SCALE:

REV: R01 DATE: JULY 2020

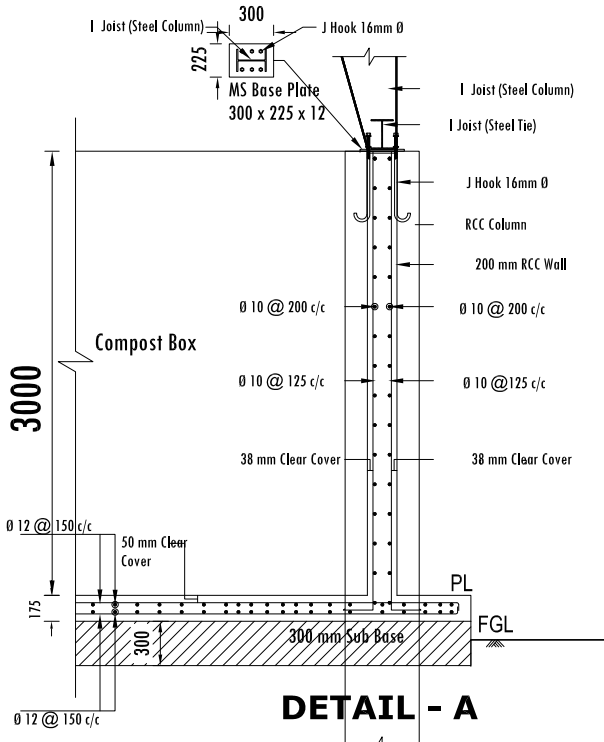


2 CATCH BASIN DETAILS
C-02 SCALE 1:20

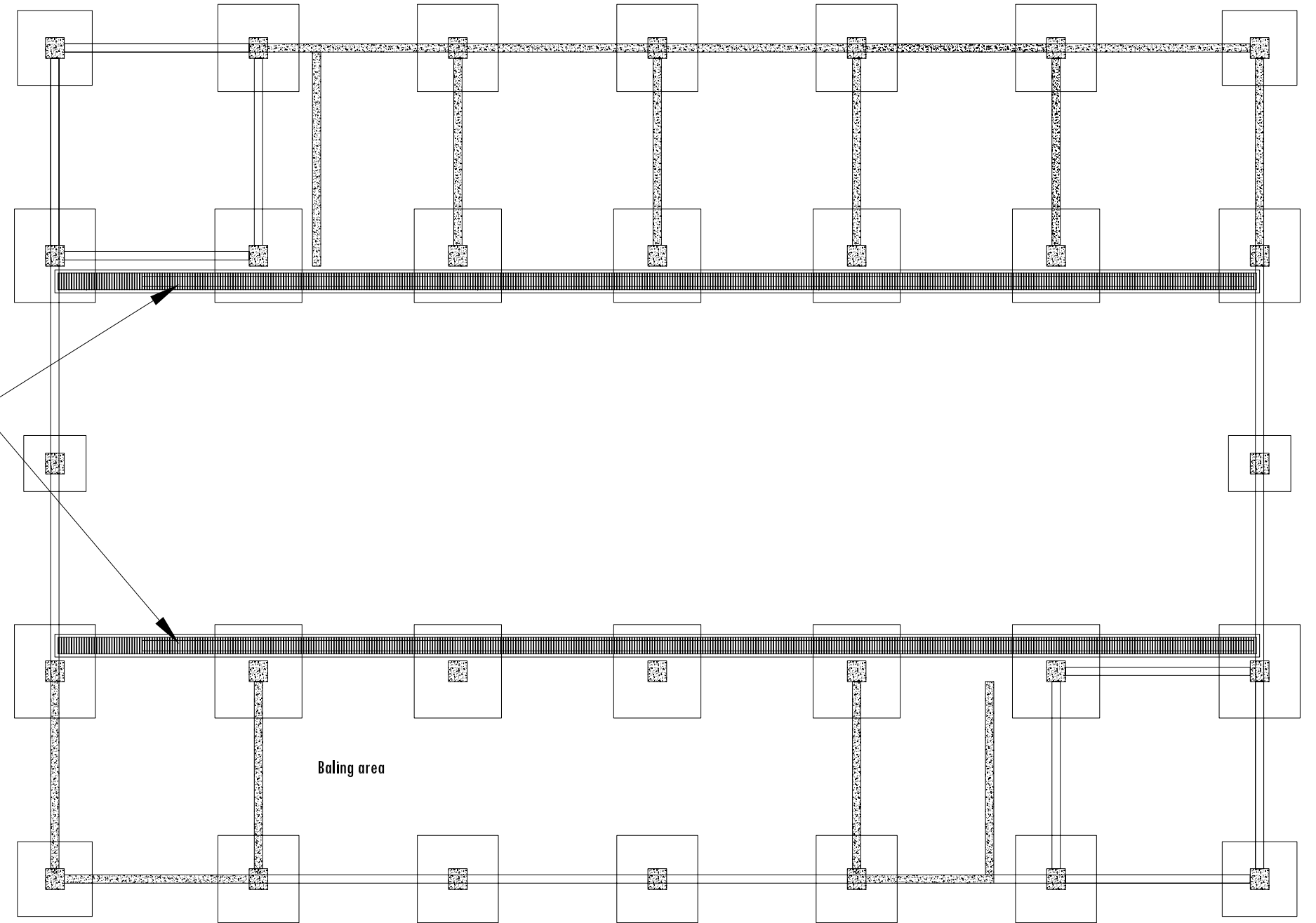
DRAINAGE DETAIL
SCALE 1:20



SECTION PLAN
SCALE 1:20



Providing compacted sub-base course with well graded material of crushed well burnt picked brick bats and sand (FM = 1.2) with mixing proportion 1:1 having reqd. thickness of compaction of 95% to 100% of MDD made as per specification including local handling, spreading uniformly and compaction properly.



MRF: Foundation Layout Plan
Scale :- 1:175

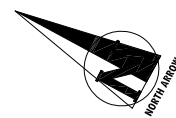
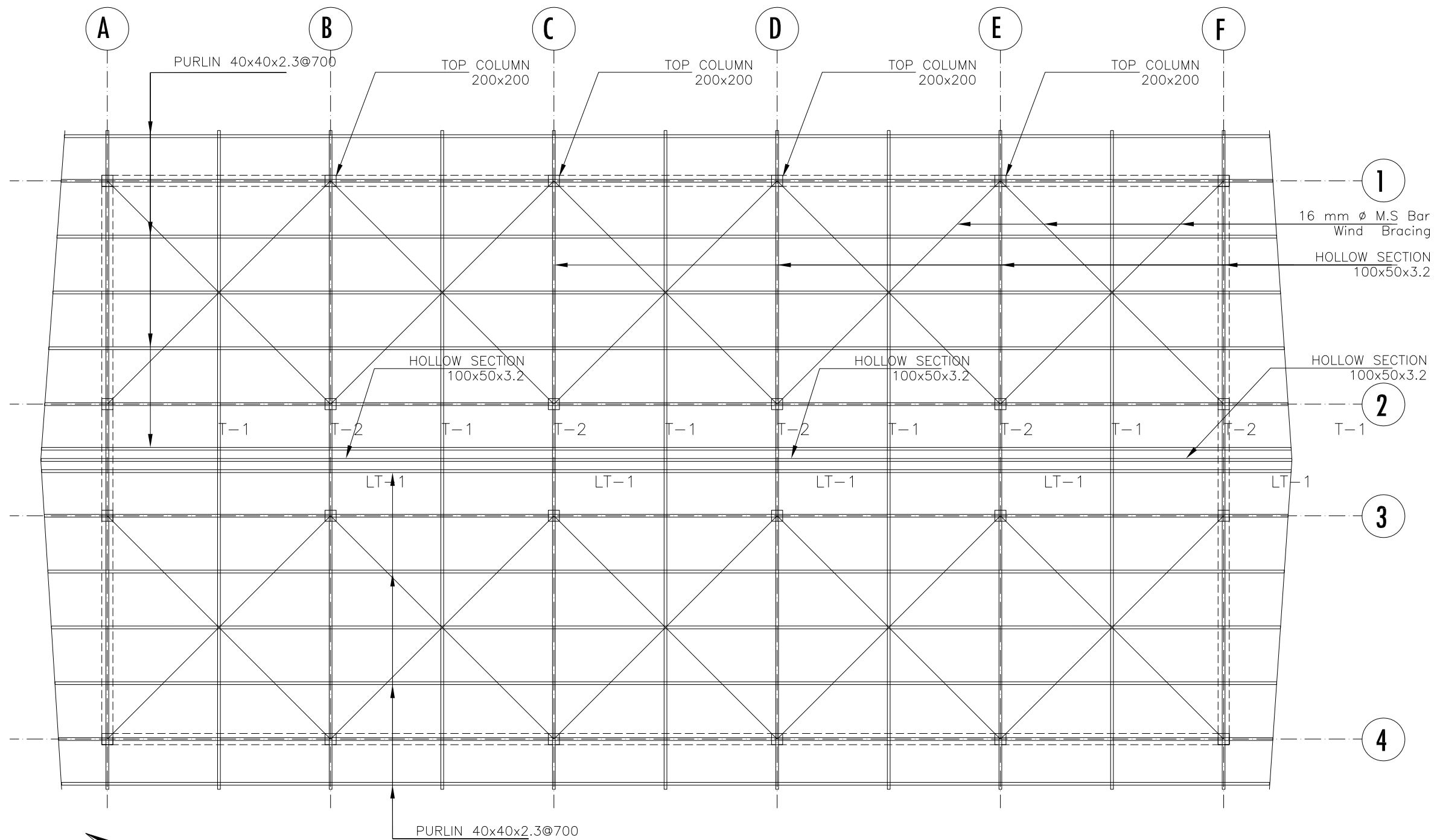
LEAD CONSULTANT :
RAMBOLL
Hannemanns Alle'53
DK-2300 København S
Tlf. +45 5161 1000
Fax +45 5161 1001
www.ramboll.dk

SUB-CONSULTANT:
Waste Concern Consultants
Level- 4, House No.- 120/B, (Masjid Road) Road-7
New DOHS Mohakhali Dhaka- 1207, Bangladesh
Tlf. + 880-2-48810-841, + 880-2-48810-842
Fax. + 880-2- 9899-486, Email- office@wasteconcern.org
www.wasteconcern.org

CLIENT :
LAOS
LAO PEOPLE'S DEMOCRATIC REPUBLIC (LAO PDR)
MINISTRY OF INFORMATION, CULTURE AND TOURISM

REV.	DATE	DESCRIPTION	DRN
R01	20.07.2020	PRELIMINARY ISSUE	

DESIGNED/DRAWN:	NAME OF PROJECT: 2ND GMS -TOURISM INFRASTRUCTURE FOR INCLUSIVE GROWTH WORKS PACKAGE -TIIGP2-LAO-W04 Subproject V5: Vang Vieng Solid Waste Management Improvements	SHEET NO.: 00 OF 00	SHEET SIZE: A3
CHECKED:	TITLE: MRF- FOOTING PLAN	SCALE:	
APPROVED:	DRAWING NO.: RAM-LAO-DED-W04-ST-01-9	REV: R01	DATE: JULY 2020



Administration Building
Scale- 1:100

ROOF FRAMING PLAN

LEAD CONSULTANT :



Hannemanns Alle'53
DK-2300 København S
Tlf. +45 5161 1000
Fax +45 5161 1001
www.ramboll.dk

SUB-CONSULTANT:



Waste Concern Consultants
Level- 4, House No.- 120/B, (Masjid Road) Road- 7
New DOHS Mohakhali Dhaka- 1207, Bangladesh
Tlf. + 880-2-48810-841, + 880-2-48810-842
Fax. + 880-2- 9899-486, Email- office@wasteconcern.org
www.wasteconcern.org

CLIENT :

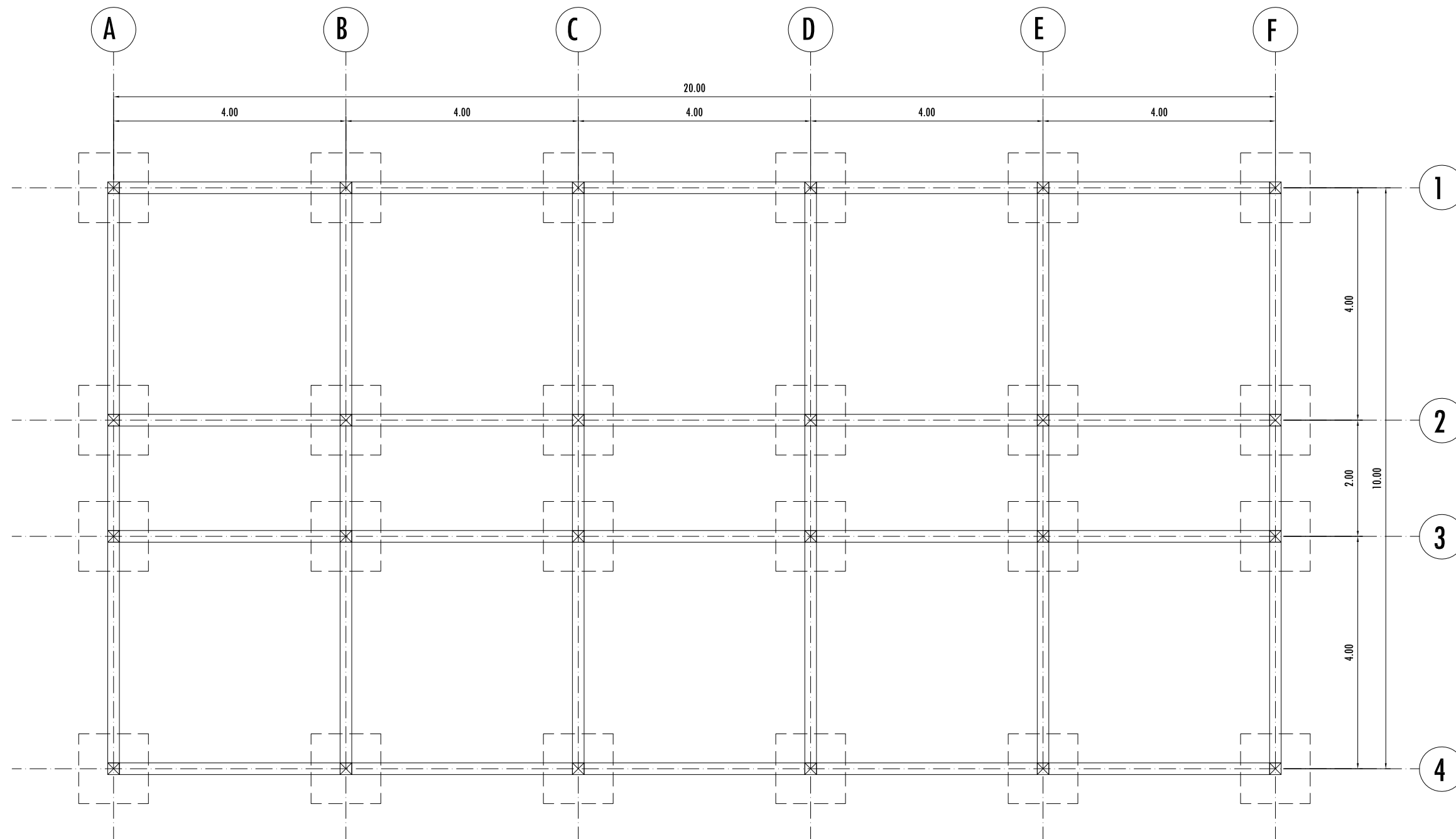


LAO PEOPLE'S DEMOCRATIC REPUBLIC (LAO PDR)
MINISTRY OF INFORMATION, CULTURE AND TOURISM

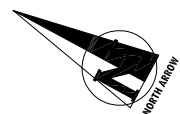
REV.	DATE	DESCRIPTION	DRN
R01	20.07.2020	PRELIMINARY ISSUE	

DESIGNED/DRAWN:
CHECKED:
APPROVED:

NAME OF PROJECT: 2ND GMS -TOURISM INFRASTRUCTURE FOR INCLUSIVE GROWTH WORKS PACKAGE -TIIGP2-LAO-W04 Subproject V5: Vang Vieng Solid Waste Management Improvements		SHEET NO.: 00 OF 00	SHEET SIZE: A3
TITLE: ADMINISTRATION BUILDING- ROOF FRAMING PLAN		SCALE:	
DRAWING NO.: RAM-LAO-DED-W04-ST-02-1		REV: R01	DATE: JULY 2020



FOUNDATION PLAN



Administration Building
Scale- 1:100

LEAD CONSULTANT :



Hannemanns Alle 53
DK-2300 København S
Tlf. +45 5161 1000
Fax +45 5161 1001
www.ramboll.dk

SUB-CONSULTANT:



Waste Concern Consultants
Level- 4, House No.- 120/B, (Masjid Road) Road- 7
New DOHS Mohakhali Dhaka- 1207, Bangladesh
Tlf. + 880-2-48810-841, + 880-2-48810-842
Fax. + 880-2- 9899-486, Email- office@wasteconcern.org
www.wasteconcern.org

CLIENT :



LAO PEOPLE'S DEMOCRATIC REPUBLIC (LAO PDR)
MINISTRY OF INFORMATION, CULTURE AND TOURISM

REV.	DATE	DESCRIPTION	DRN
R01	20.07.2020	PRELIMINARY ISSUE	

DESIGNED/DRAWN: /
CHECKED: /
APPROVED: /

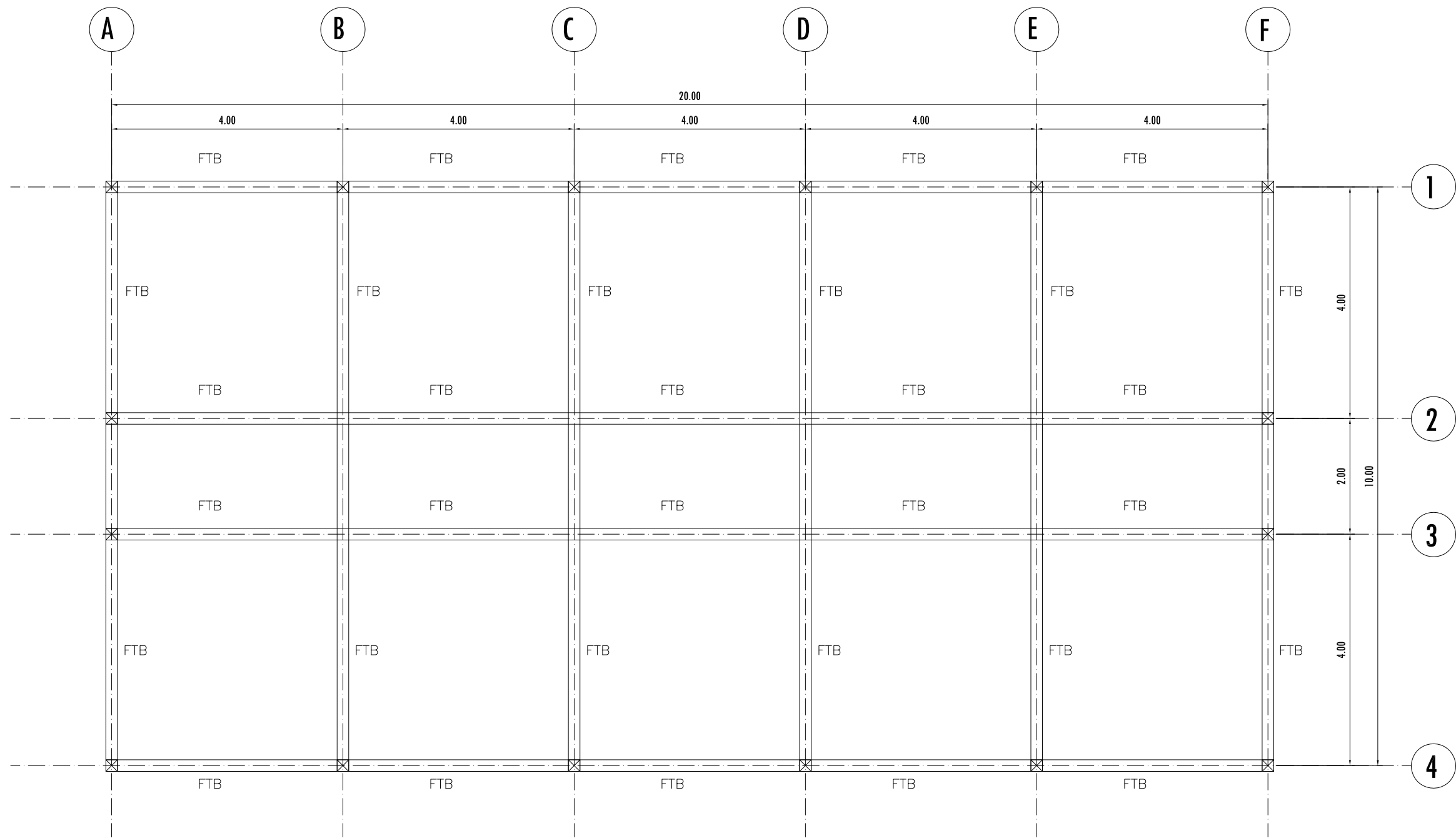
NAME OF PROJECT:
2ND GMS -TOURISM INFRASTRUCTURE FOR INCLUSIVE GROWTH
WORKS PACKAGE -TIIGP2-LAO-W04
Subproject V5: Vang Vieng Solid Waste Management Improvements

TITLE:
ADMINISTRATION BUILDING- FOOTING FOUNDATION PLAN

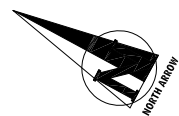
DRAWING NO.: RAM-LAO-DED-W04-ST-02-2

SHEET NO.: 00 OF 00
SHEET SIZE: A3
SCALE: /

REV: R01 DATE: JULY 2020



STRUCTURE DETAIL FOR TOP



Administration Building
Scale- 1:100

LEAD CONSULTANT :



Hannemanns Alle 53
DK-2300 København S
Tlf. +45 5161 1000
Fax +45 5161 1001
www.ramboll.dk

SUB-CONSULTANT:



Waste Concern Consultants
Level- 4, House No.- 120/B, (Masjid Road) Road- 7
New DOHS Mohakhali Dhaka- 1207, Bangladesh
Tlf. + 880-2-48810-841, + 880-2-48810-842
Fax. + 880-2- 9899-486, Email- office@wasteconcern.org
www.wasteconcern.org

CLIENT :

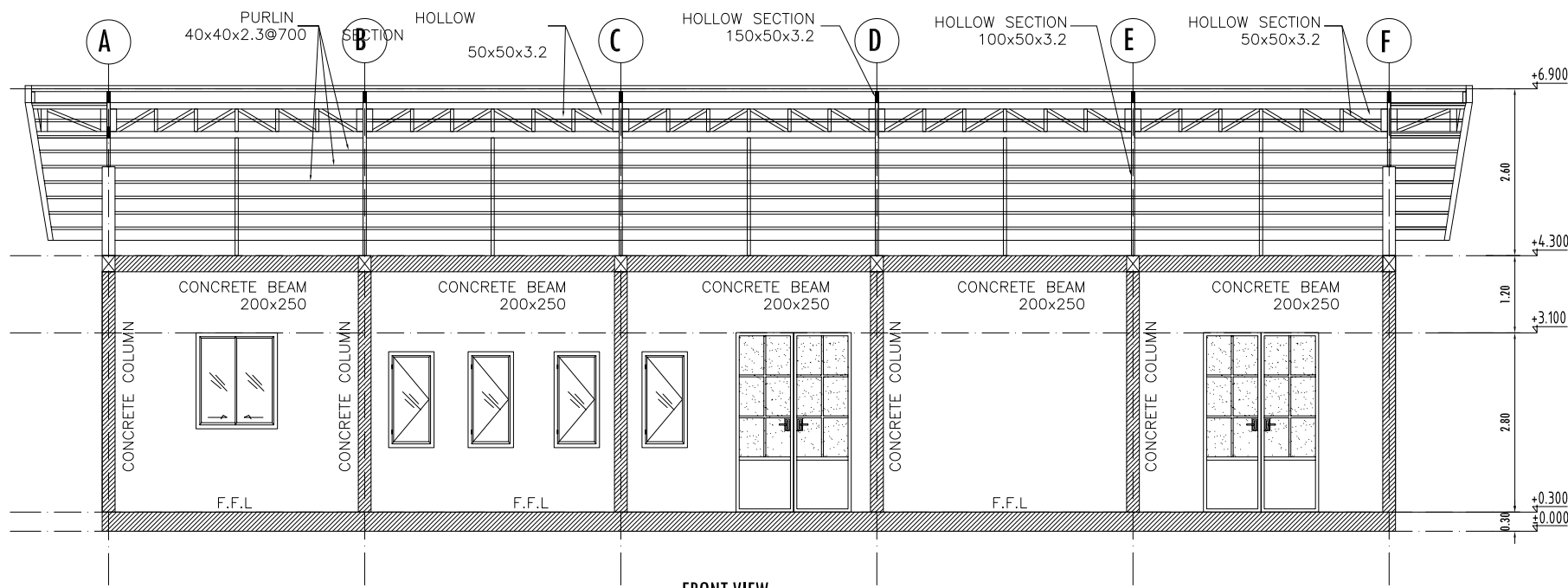


LAO PEOPLE'S DEMOCRATIC REPUBLIC (LAO PDR)
MINISTRY OF INFORMATION, CULTURE AND TOURISM

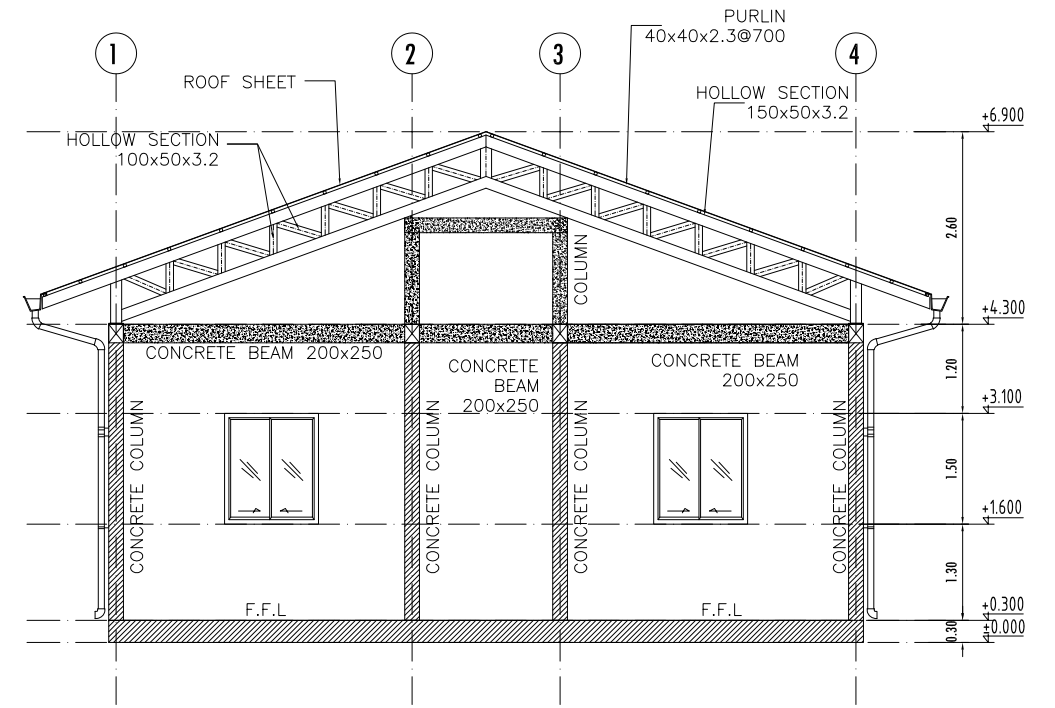
REV.	DATE	DESCRIPTION	DRN
R01	20.07.2020	PRELIMINARY ISSUE	

DESIGNED/DRAWN:
CHECKED:
APPROVED:

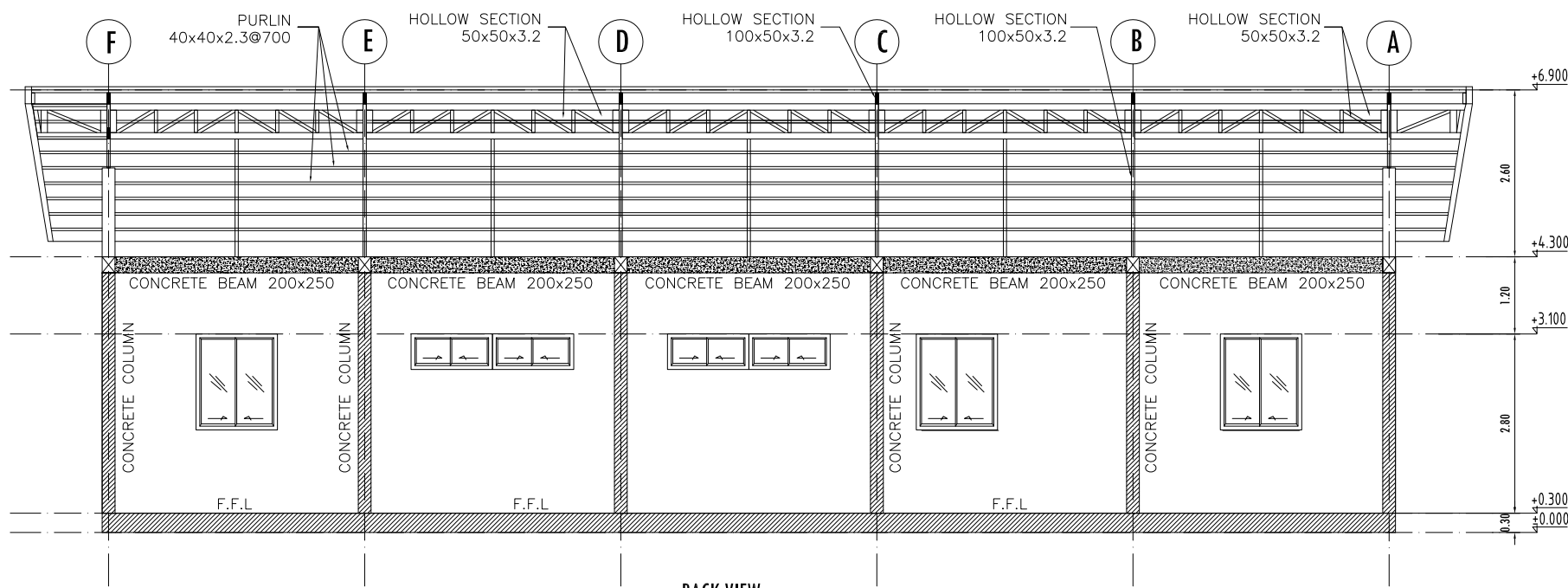
NAME OF PROJECT:		2ND GMS -TOURISM INFRASTRUCTURE FOR INCLUSIVE GROWTH	
		WORKS PACKAGE -TIIGP2-LAO-W04	
		Subproject V5: Vang Vieng Solid Waste Management Improvements	
TITLE:		ADMINISTRATION BUILDING- TOP STRUCTURAL PLAN	
DRAWING NO.:		RAM-LAO-DED-W04-ST-02-3	
SHEET NO.:	00	OF	00
SHEET SIZE:	A3		
SCALE:			
REV:	R01	DATE:	JULY 2020



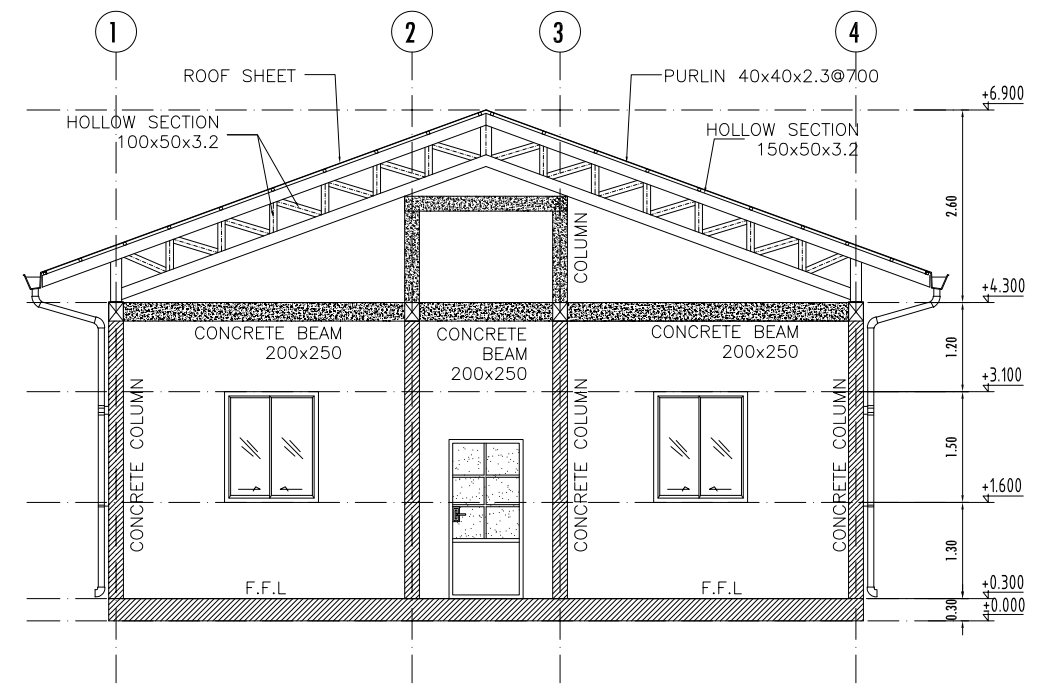
FRONT VIEW



RIGHT VIEW



BACK VIEW



LEFT VIEW

Providing compacted sub-base course with well graded material of crushed well burnt picked brick bats and sand (FM =1.2) with mixing proportion 1:1 having reqd. thickness of compaction of 95% to 100% of MDD made as per specification including local handling, spreading uniformly and compaction properly.

LEAD CONSULTANT :



Hannemanns Alle 53
DK-2300 København S
Tlf. +45 5161 1000
Fax +45 5161 1001
www.ramboll.dk

SUB-CONSULTANT:



Waste Concern Consultants
Level- 4, House No.- 120/B, (Masjid Road) Road- 7
New DOHS Mohakhali Dhaka- 1207, Bangladesh
Tlf. + 880-2-48810-841, + 880-2-48810-842
Fax. + 880-2- 9899-486, Email- office@wasteconcern.org
www.wasteconcern.org

CLIENT :



LAO PEOPLE'S DEMOCRATIC REPUBLIC (LAO PDR)
MINISTRY OF INFORMATION, CULTURE AND TOURISM

REV.	DATE	DESCRIPTION	DRN
R01	20.07.2020	PRELIMINARY ISSUE	

DESIGNED/DRAWN: _____
CHECKED: _____
APPROVED: _____

NAME OF PROJECT:
**2ND GMS -TOURISM INFRASTRUCTURE FOR INCLUSIVE GROWTH
WORKS PACKAGE -TIIGP2-LAO-W04**

Subproject V5: Vang Vieng Solid Waste Management Improvements

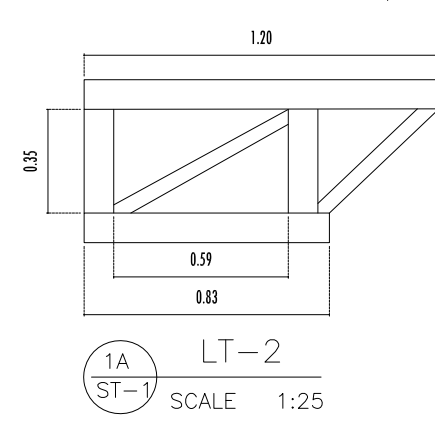
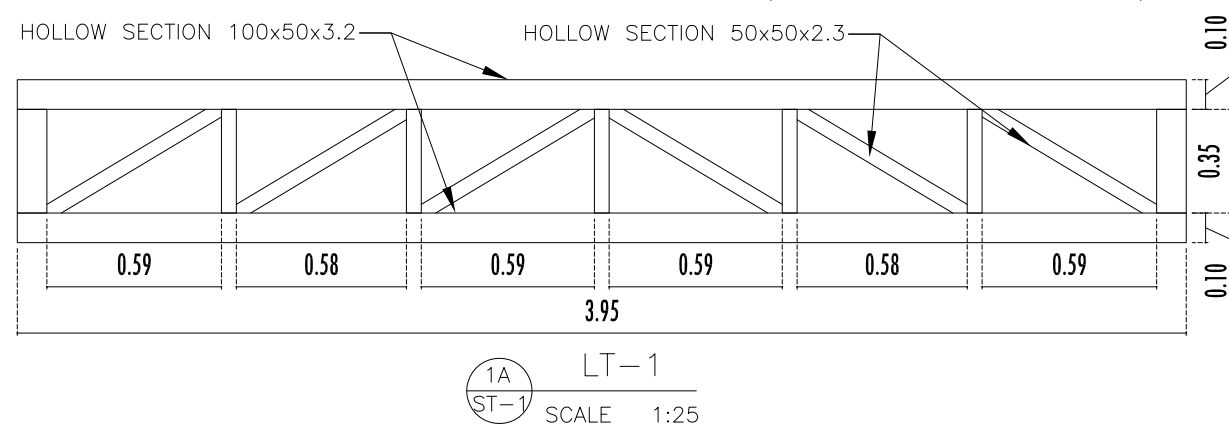
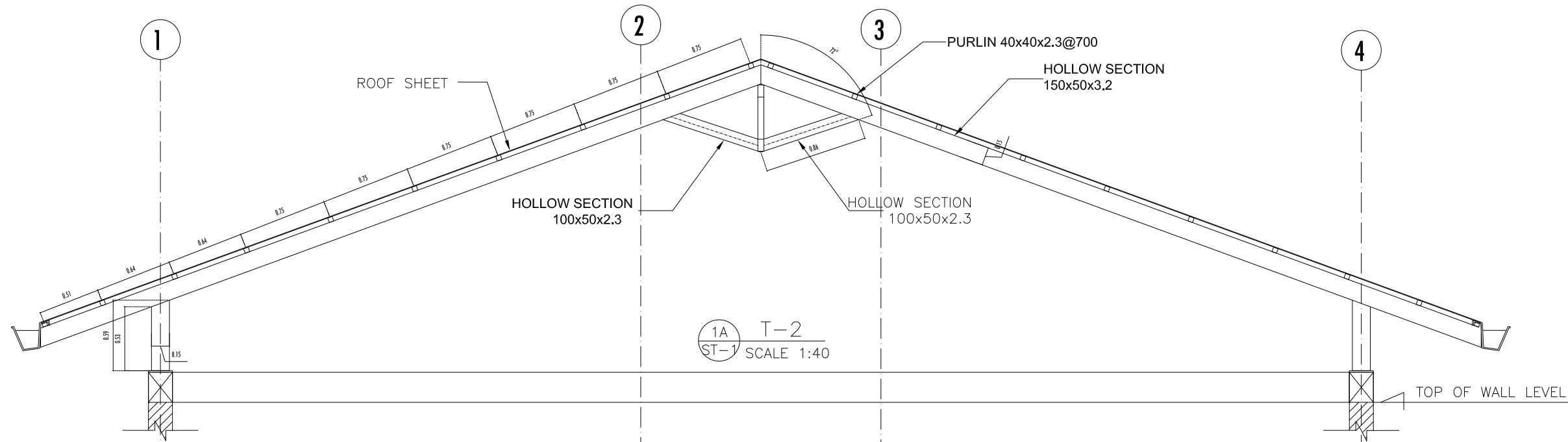
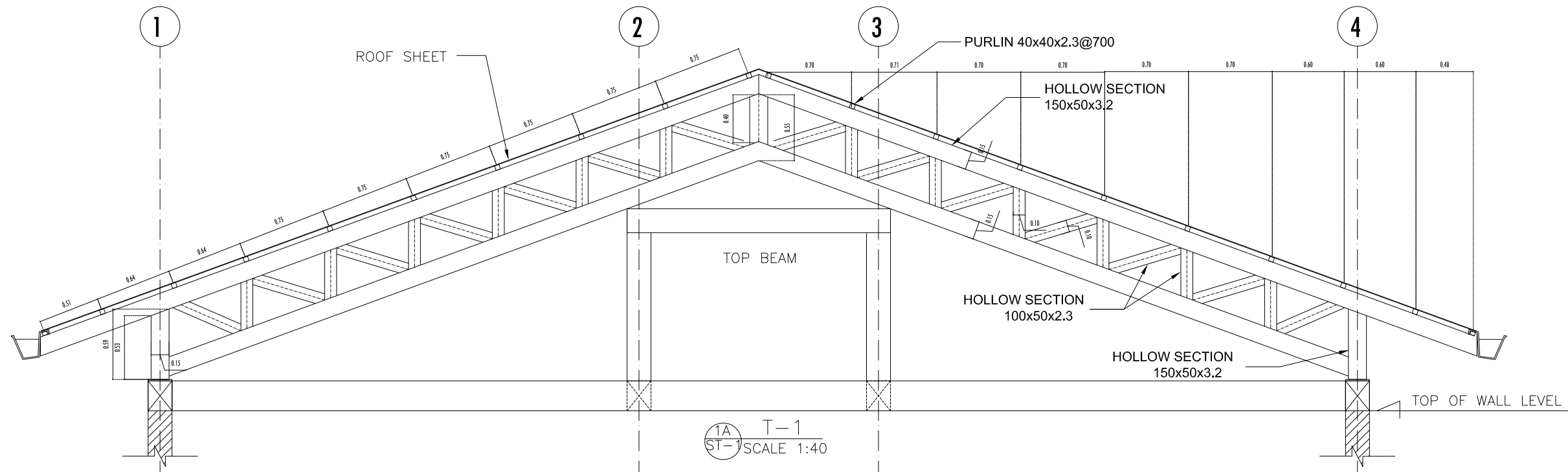
TITLE:
ADMINISTRATION BUILDING- FRAMING ELEVATION

DRAWING NO.: RAM-LAO-DED-W04-ST-02-4

SHEET NO.: 00 OF 00

SHEET SIZE: A3

SCALE:
REV: R01 DATE: JULY 2020



LEAD CONSULTANT :

RAMBOLL
 Hannemanns Alle 53
 DK-2300 København S
 Tlf. +45 5161 1000
 Fax +45 5161 1001
 www.ramboll.dk

SUB-CONSULTANT:

Waste Concern Consultants
 Level- 4, House No.- 120/B, (Masjid Road) Road- 7
 New DOHS Mohakhali Dhaka- 1207, Bangladesh
 Tlf. + 880-2-48810-841, + 880-2-48810-842
 Fax. + 880-2- 9899-486, Email- office@wasteconcern.org
 www.wasteconcern.org

CLIENT :

LAOS
 LAO PEOPLE'S DEMOCRATIC REPUBLIC (LAO PDR)
 MINISTRY OF INFORMATION, CULTURE AND TOURISM

REV.	DATE	DESCRIPTION	DRN
R01	20.07.2020	PRELIMINARY ISSUE	

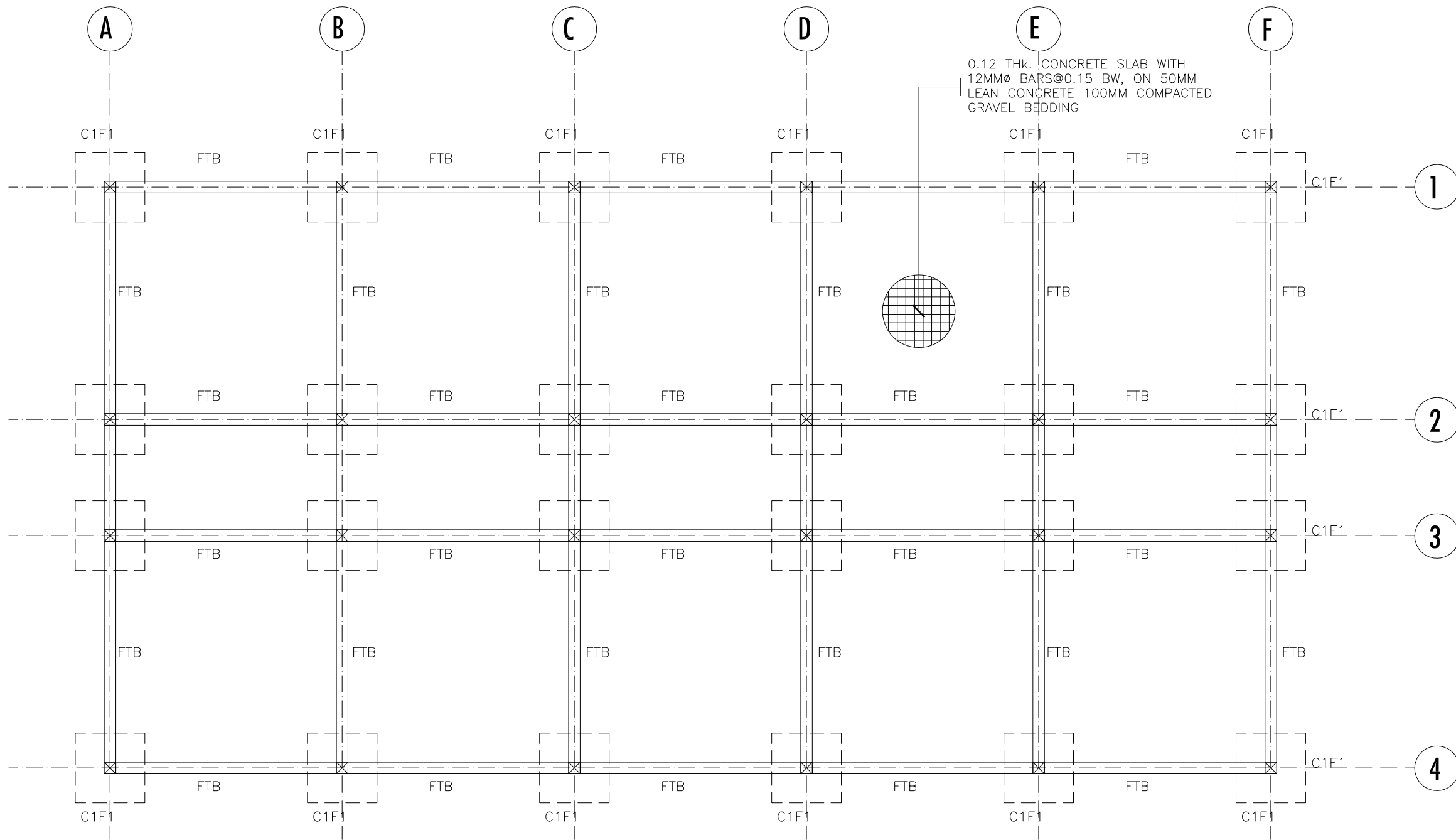
DESIGNED/DRAWN: _____
 CHECKED: _____
 APPROVED: _____

NAME OF PROJECT:
2ND GMS -TOURISM INFRASTRUCTURE FOR INCLUSIVE GROWTH
WORKS PACKAGE -TIIG2-LAO-W04
Subproject V5: Vang Vieng Solid Waste Management Improvements

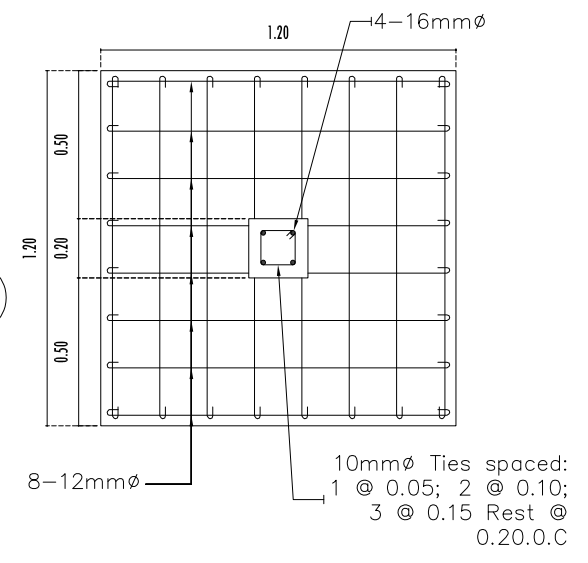
TITLE:
ADMINISTRATION BUILDING- TRUSS DETAILS

DRAWING NO.: RAM-LAO-DED-W04-ST-02-5

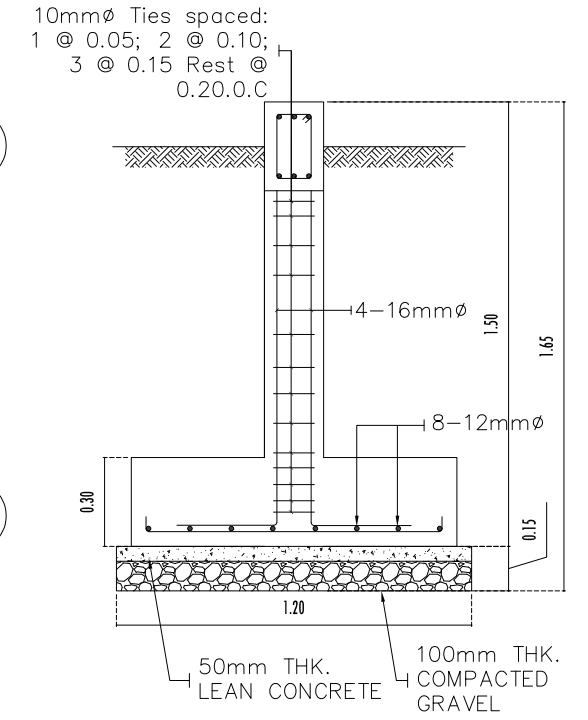
SHEET NO.: 00 OF 00
 SHEET SIZE: A3
 SCALE: _____
 REV: R01 DATE: JULY 2020



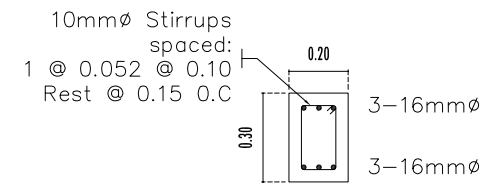
0.12 THK. CONCRETE SLAB WITH
12MMØ BARS@0.15 BW, ON 50MM
LEAN CONCRETE 100MM COMPACTED
GRAVEL BEDDING



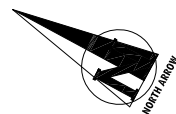
1A P1F1 PLAN
ST-08 SCALE 1 : 25



1B P1F1 SECTION
ST-08 SCALE 1 : 25



1C FTB DETAIL
ST-08 SCALE 1 : 25



Administration Building REINFORCEMENT & STRUCTURE DETAIL
Scale- 1:100

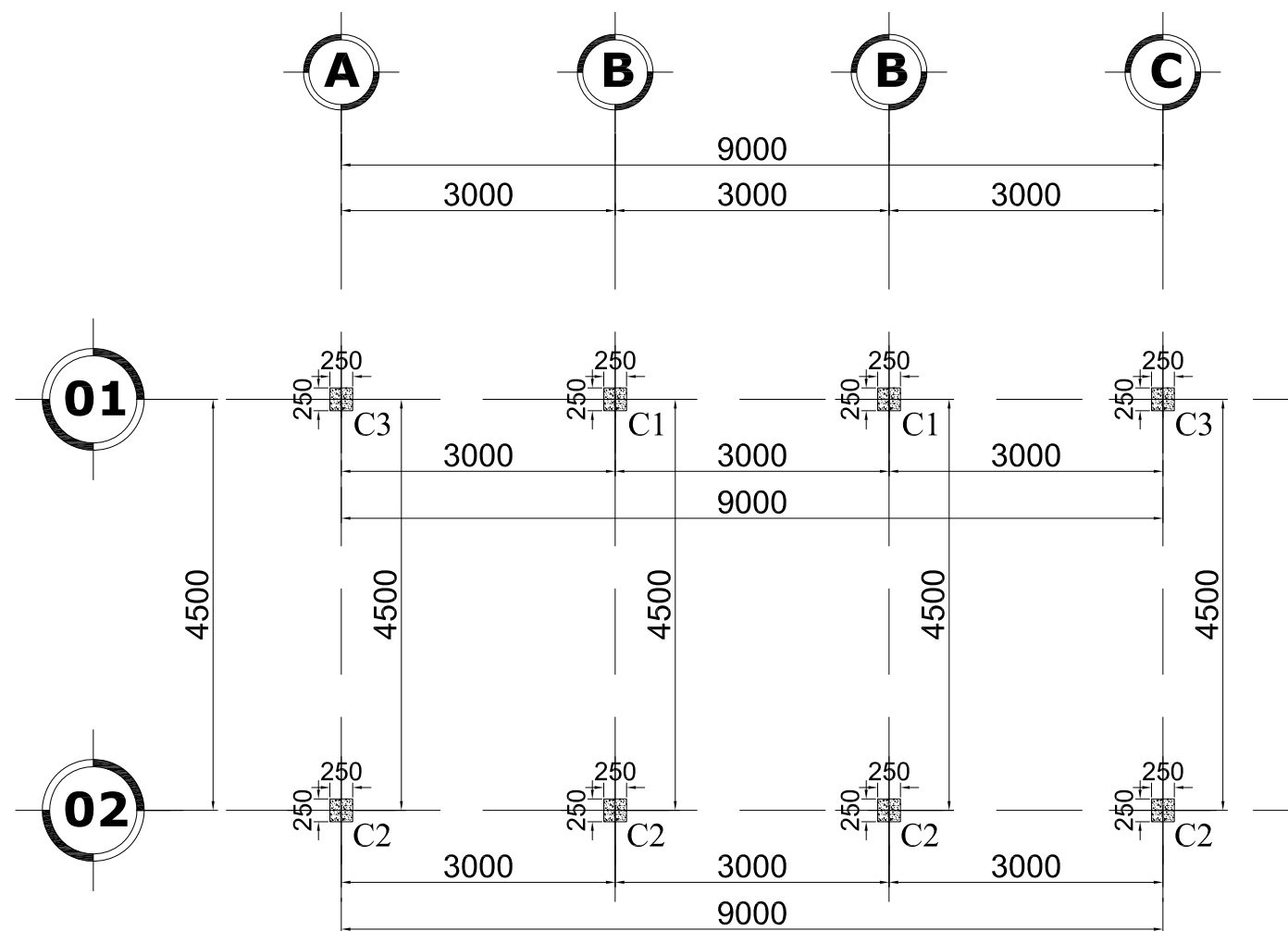
LEAD CONSULTANT :
RAMBOLL
Hannemanns Alle 53
DK-2300 København S
Tlf. +45 5161 1000
Fax +45 5161 1001
www.ramboll.dk

SUB-CONSULTANT:
Waste Concern Consultants
Level- 4, House No.- 120/B, (Masjid Road) Road- 7
New DOHS Mohakhali Dhaka- 1207, Bangladesh
Tlf. + 880-2-48810-841, + 880-2-48810-842
Fax. + 880-2- 9899-486, Email- office@wasteconcern.org
www.wasteconcern.org

CLIENT :
LAOS
LAO PEOPLE'S DEMOCRATIC REPUBLIC (LAO PDR)
MINISTRY OF INFORMATION, CULTURE AND TOURISM

REV.	DATE	DESCRIPTION	DRN
RO1	20.07.2020	PRELIMINARY ISSUE	

DESIGNED/DRAWN:	NAME OF PROJECT: 2ND GMS -TOURISM INFRASTRUCTURE FOR INCLUSIVE GROWTH WORKS PACKAGE -TIIGP2-LAO-W04	SHEET NO.:	SHEET SIZE:
CHECKED:	Subproject V5: Vang Vieng Solid Waste Management Improvements	00 OF 00	A3
APPROVED:	TITLE: ADMINISTRATION BUILDING- REINFORCEMENT AND STRUCTURAL	SCALE:	
	DRAWING NO.: RAM-LAO-DED-W04-ST-02-6	REV:	DATE:
		R01	JULY 2020



Office Building:
Column Marking Layout Plan
Scale :- 1:75

LEAD CONSULTANT :



Hannemanns Alle 53
DK-2300 København S
Tlf. +45 5161 1000
Fax +45 5161 1001
www.ramboll.dk

SUB-CONSULTANT:



Waste Concern Consultants
Level- 4, House No.- 120/B, (Masjid Road) Road- 7
New DOHS Mohakhali Dhaka- 1207, Bangladesh
Tlf. + 880-2-48810-841, + 880-2-48810-842
Fax. + 880-2- 9899-486, Email- office@wasteconcern.org
www.wasteconcern.org

CLIENT :



LAO PEOPLE'S DEMOCRATIC REPUBLIC (LAO PDR)
MINISTRY OF INFORMATION, CULTURE AND TOURISM

REV.	DATE	DESCRIPTION	DRN
R01	20.07.2020	PRELIMINARY ISSUE	

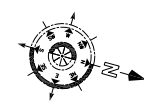
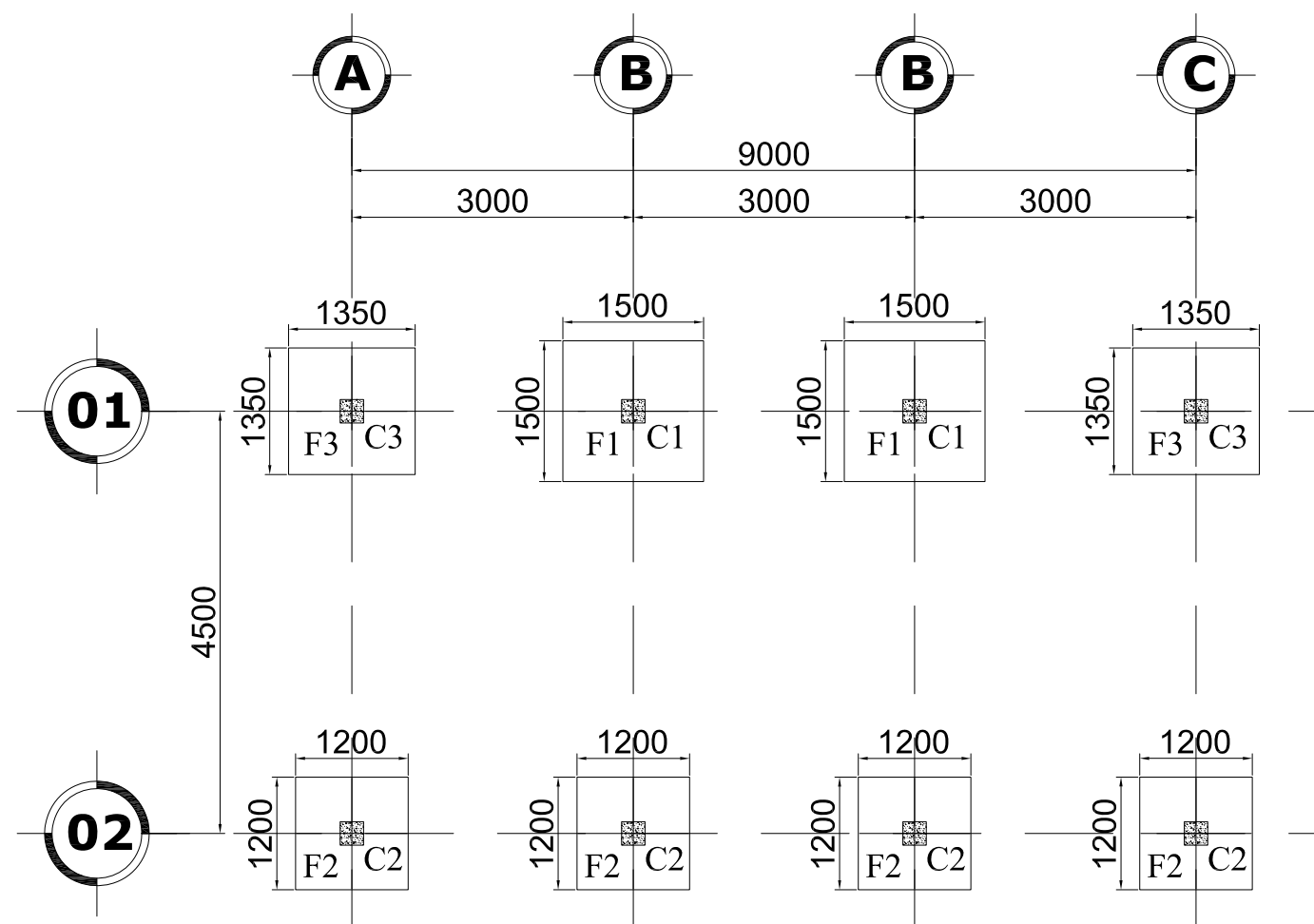
DESIGNED/DRAWN: /...
CHECKED: /...
APPROVED: /...

NAME OF PROJECT:
2ND GMS -TOURISM INFRASTRUCTURE FOR INCLUSIVE GROWTH
WORKS PACKAGE -TIIGP2-LAO-W04
Subproject V5: Vang Vieng Solid Waste Management Improvements

TITLE:
Office Building: Column Marking Layout Plan

DRAWING NO.: RAM-LAO-DED-W04-ST-03-1

SHEET NO.: 00 OF 00
SHEET SIZE: A3
SCALE:
REV: R01 DATE: JULY 2020



Office Building:
Footing Marking Layout Plan
Scale :- 1:75

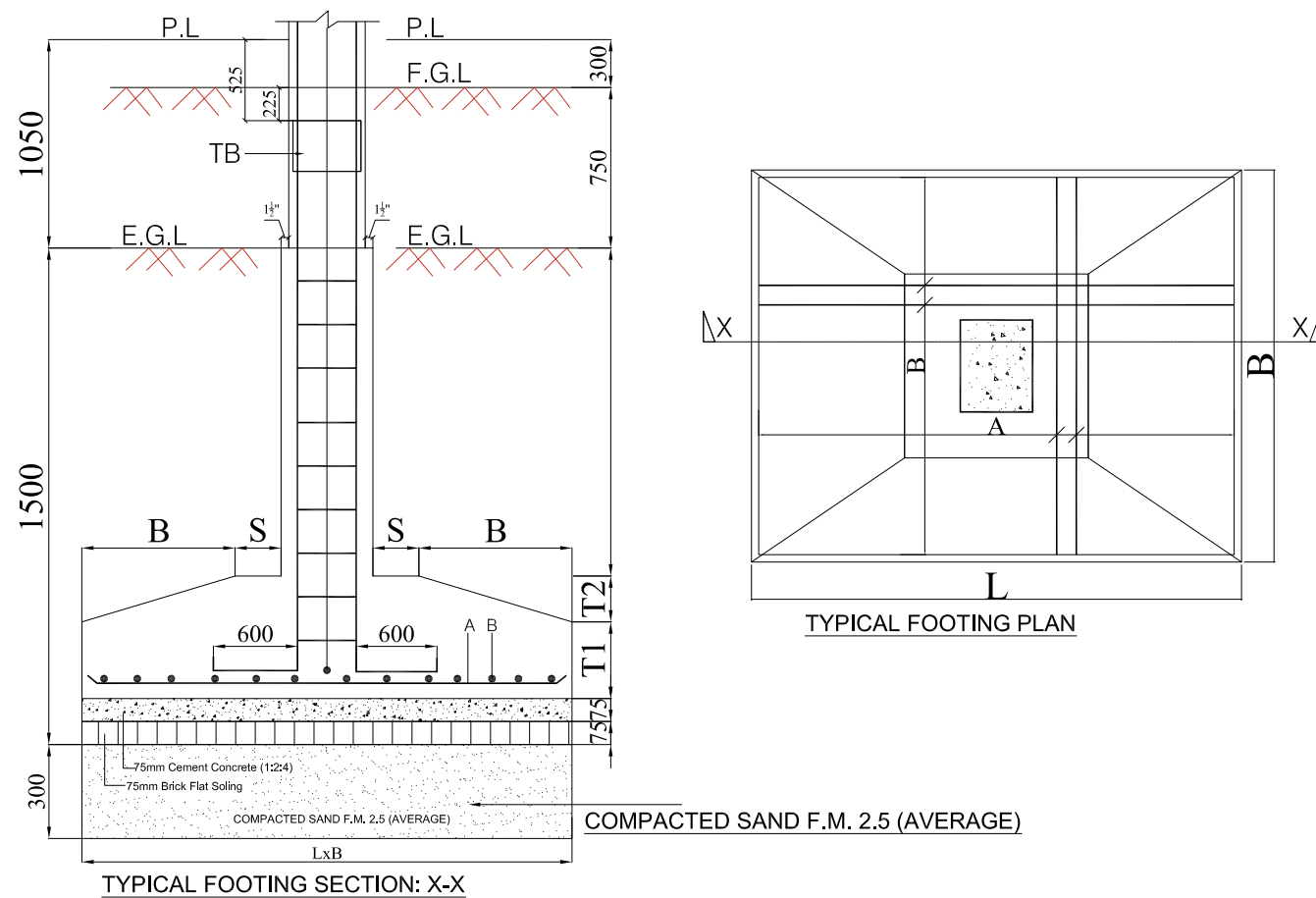
LEAD CONSULTANT :
RAMBOLL
Hannemanns Alle 53
DK-2300 København S
Tlf. +45 5161 1000
Fax +45 5161 1001
www.ramboll.dk

SUB-CONSULTANT:
Waste Concern Consultants
Level- 4, House No.- 120/B, (Masjid Road) Road- 7
New DOHS Mohakhali Dhaka- 1207, Bangladesh
Tlf. + 880-2-48810-841, + 880-2-48810-842
Fax. + 880-2- 9899-486, Email- office@wasteconcern.org
www.wasteconcern.org

CLIENT :
LAOS
LAO PEOPLE'S DEMOCRATIC REPUBLIC (LAO PDR)
MINISTRY OF INFORMATION, CULTURE AND TOURISM

REV.	DATE	DESCRIPTION	DRN
R01	20.07.2020	PRELIMINARY ISSUE	

DESIGNED/DRAWN: /...
CHECKED: /...
APPROVED: /...
NAME OF PROJECT:
2ND GMS -TOURISM INFRASTRUCTURE FOR INCLUSIVE GROWTH
WORKS PACKAGE -TIIGP2-LAO-W04
Subproject V5: Vang Vieng Solid Waste Management Improvements
TITLE:
Office Building: Footing Marking Layout Plan
DRAWING NO.: RAM-LAO-DED-W04-ST-03-2
SHEET NO.: 00 OF 00
SHEET SIZE: A3
SCALE:
REV: R01
DATE: JULY 2020



R.C.C. FOOTING SCHEDULE
SCALE 1 : 30

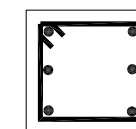
NAME OF FOOTING	SIZE LXB	T1	T2	S	B	A x B
F1	1500 x 1500	250	100	200	385	12 mm Ø @ 110 bothways
F2	1200 x 1200	225	75	150	288	12 mm Ø @ 125 C/C bothways
F3	1350 x 1350	250	100	155	350	12 mm Ø @ 110 C/C bothways

R.C.C COLUMN SCHEDULE

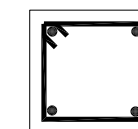
SCALE 1 : 30

NAME OF COL.	BELOW GROUND FLOOR		GROUND FLOOR		STIRRUPS AT ALL FLOORS
	SIZE	VER. BAR	SIZE	VER. BAR	
C1	325X325	6-16mmØ	250X250	6-16mmØ	10 mm Ø @ 100 to 200c/c ¼th of clear ht. @ 100c/c & ¼th of mid ht. @ 200c/c
C2	325X325	4-16mmØ	250X250	4-16mmØ	
C3	325X325	6-16mmØ	250X250	6-16mmØ	

Arrangement of vertical bar & ties



6 NOS



4 NOS

Providing **compacted sub-base course** with well graded material of crushed well burnt picked brick bats and sand (FM =1.2) with mixing proportion 1:1 having reqd. thickness of compaction of 95% to 100% of MDD made as per specification including local handling, spreading uniformly and compaction properly.

LEAD CONSULTANT :



Hannemanns Alle'53
DK-2300 København S
Tlf. +45 5161 1000
Fax +45 5161 1001
www.ramboll.dk

SUB-CONSULTANT:



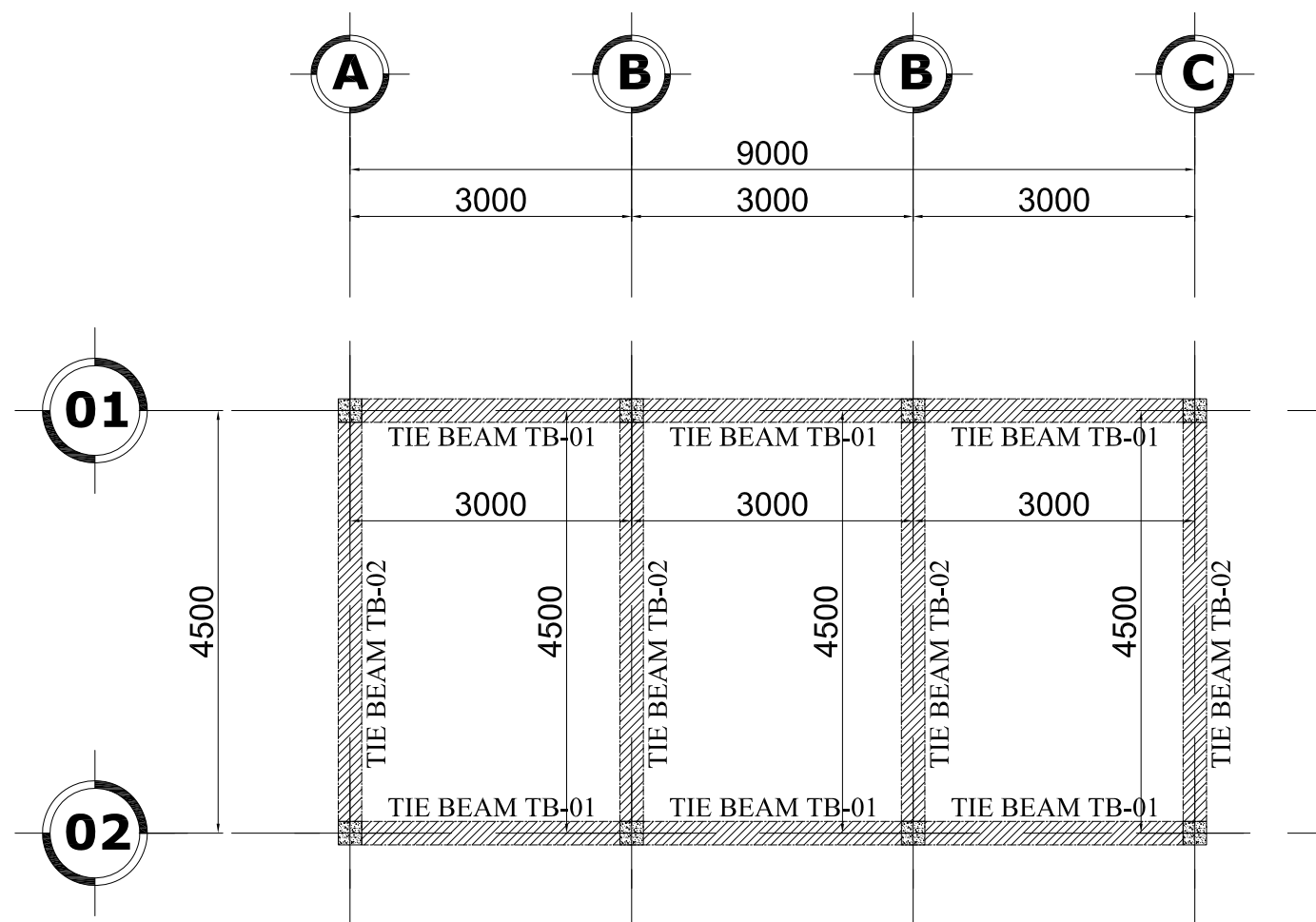
Waste Concern Consultants
Level- 4, House No.- 120/B, (Masjid Road) Road- 7
New DOHS Mohakhali Dhaka- 1207, Bangladesh
Tlf. + 880-2-48810-841, + 880-2-48810-842
Fax. + 880-2- 9899-486, Email- office@wasteconcern.org
www.wasteconcern.org

CLIENT :



LAO PEOPLE'S DEMOCRATIC REPUBLIC (LAO PDR)
MINISTRY OF INFORMATION, CULTURE AND TOURISM

DESIGNED/DRAWN:	NAME OF PROJECT:	SHEET NO.:	SHEET SIZE:
CHECKED:	2ND GMS -TOURISM INFRASTRUCTURE FOR INCLUSIVE GROWTH WORKS PACKAGE -TIIGP2-LAO-W04	00	OF 00 A3
APPROVED:	Subproject V5: Vang Vieng Solid Waste Management Improvements	SCALE:	
REV.	DATE	DESCRIPTION	DRN
R01	20.07.2020	PRELIMINARY ISSUE	
DRAWING NO.:		REV:	DATE:
RAM-LAO-DED-W04-ST-03-3		R01	JULY 2020



Office Building:
Tie Beam Marking Layout Plan
Scale :- 1:75

LEAD CONSULTANT :



Hannemanns Alle 53
DK-2300 København S
Tlf. +45 5161 1000
Fax +45 5161 1001
www.ramboll.dk

SUB-CONSULTANT:



Waste Concern Consultants
Level- 4, House No.- 120/B, (Masjid Road) Road- 7
New DOHS Mohakhali Dhaka- 1207, Bangladesh
Tlf. + 880-2-48810-841, + 880-2-48810-842
Fax. + 880-2- 9899-486, Email- office@wasteconcern.org
www.wasteconcern.org

CLIENT :



LAO PEOPLE'S DEMOCRATIC REPUBLIC (LAO PDR)
MINISTRY OF INFORMATION, CULTURE AND TOURISM

REV.	DATE	DESCRIPTION	DRN
R01	20.07.2020	PRELIMINARY ISSUE	

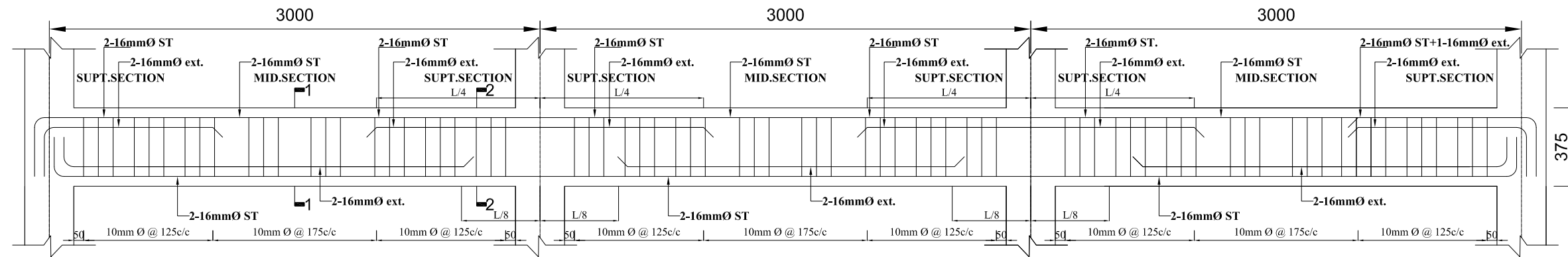
DESIGNED/DRAWN: /...
CHECKED: /...
APPROVED: /...

NAME OF PROJECT:
2ND GMS –TOURISM INFRASTRUCTURE FOR INCLUSIVE GROWTH
WORKS PACKAGE -TIIGP2-LAO-W04
Subproject V5: Vang Vieng Solid Waste Management Improvements

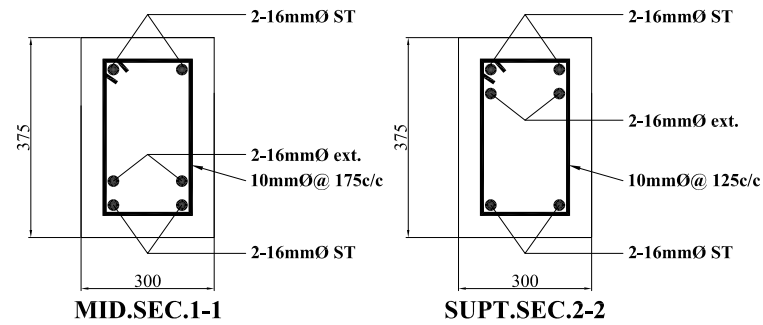
TITLE:
Office Building: Tie Beam Marking Layout Plan

DRAWING NO.: RAM-LAO-DED-W04-ST-03-4

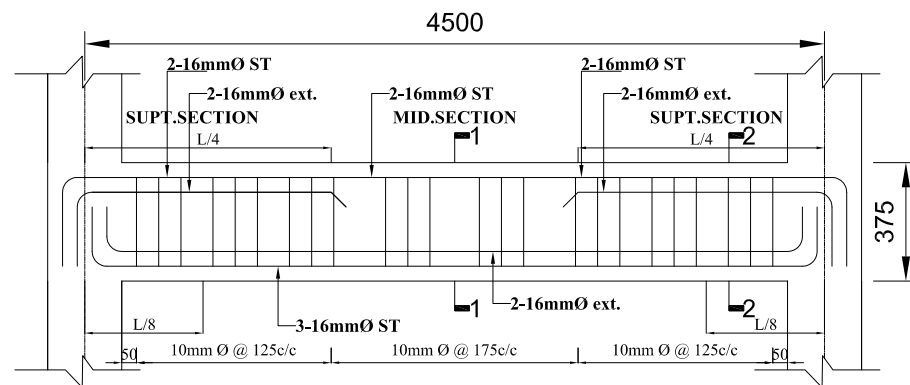
SHEET NO.: 00 OF 00
SHEET SIZE: A3
SCALE:
REV: R01 DATE: JULY 2020



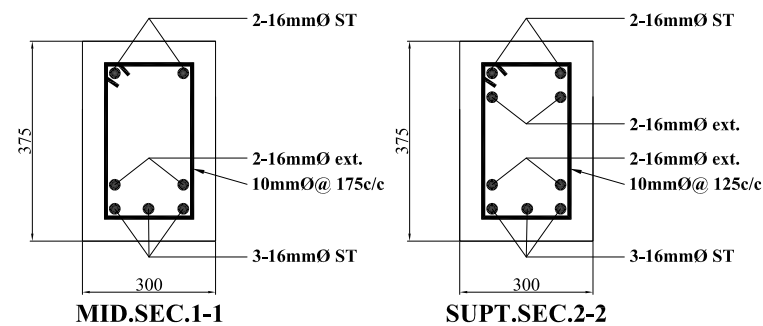
TIE BEAM TB-01



TIE BEAM TB-01



TIE BEAM TB-02



TIE BEAM TB-02

LEAD CONSULTANT :



Hannemanns Alle 53
DK-2300 København S
Tlf. +45 5161 1000
Fax +45 5161 1001
www.ramboll.dk

SUB-CONSULTANT:



Waste Concern Consultants
Level- 4, House No.- 120/B, (Masjid Road) Road- 7
New DOHS Mohakhali Dhaka- 1207, Bangladesh
Tlf. + 880-2-48810-841, + 880-2-48810-842
Fax. + 880-2- 9899-486, Email- office@wasteconcern.org
www.wasteconcern.org

CLIENT :

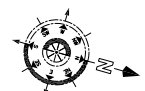
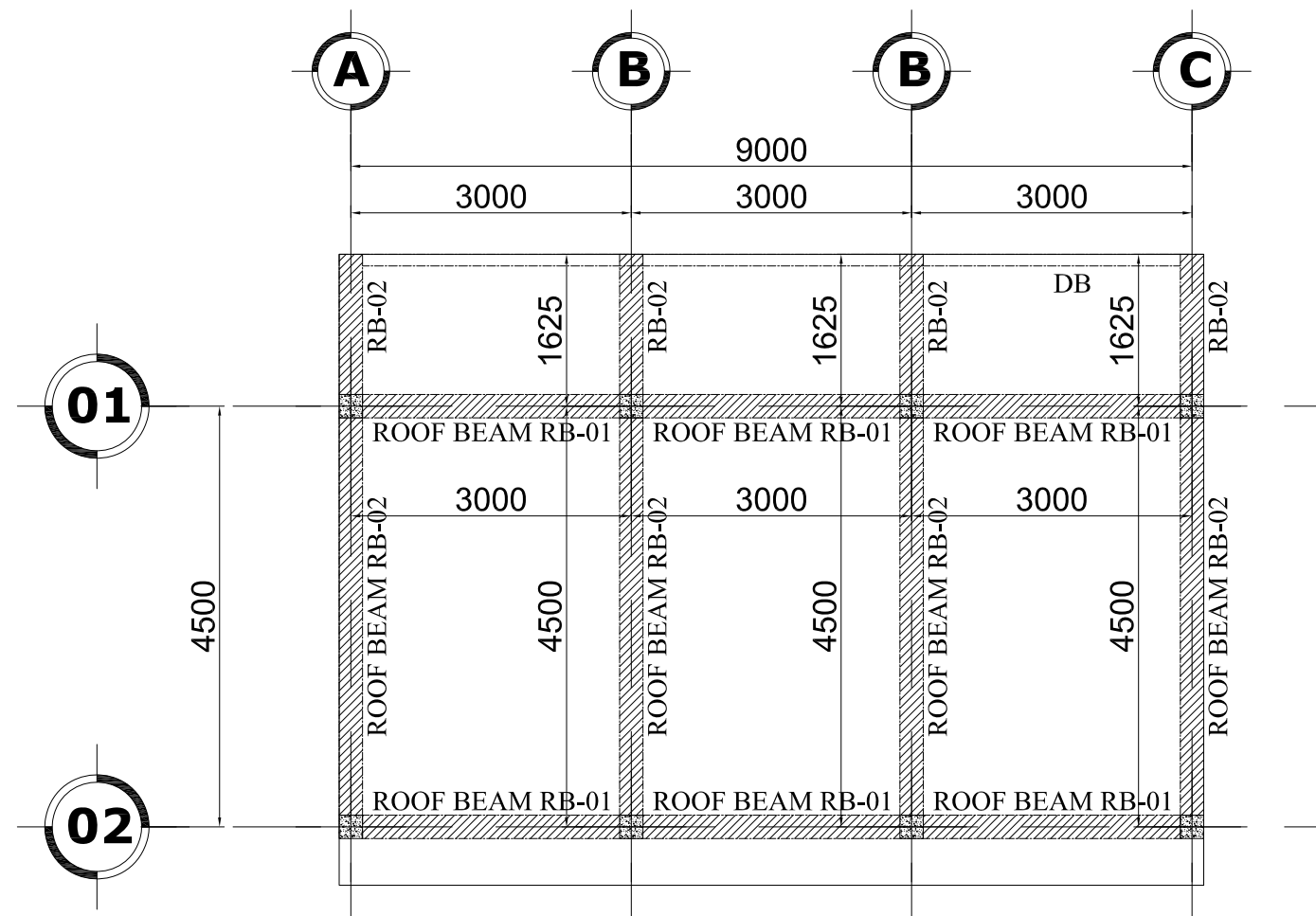


LAO PEOPLE'S DEMOCRATIC REPUBLIC (LAO PDR)
MINISTRY OF INFORMATION, CULTURE AND TOURISM

REV.	DATE	DESCRIPTION	DRN
R01	20.07.2020	PRELIMINARY ISSUE	

DESIGNED/DRAWN:	---
CHECKED:	---
APPROVED:	---

NAME OF PROJECT:		2ND GMS -TOURISM INFRASTRUCTURE FOR INCLUSIVE GROWTH	
		WORKS PACKAGE -TIIGP2-LAO-W04	
		Subproject V5: Vang Vieng Solid Waste Management Improvements	
TITLE:	Office Building: Tie Beam Long & Cross Section Reinforcement Details	SHEET NO.:	00 OF 00
		SHEET SIZE:	A3
DRAWING NO.:	RAM-LAO-DED-W04-ST-03-5	REV:	R01
		DATE:	JULY 2020



Office Building:
Roof Beam Marking Layout Plan
Scale :- 1:75

LEAD CONSULTANT :



Hannemanns Alle 53
DK-2300 København S
Tlf. +45 5161 1000
Fax +45 5161 1001
www.ramboll.dk

SUB-CONSULTANT:



Waste Concern Consultants
Level- 4, House No.- 120/B, (Masjid Road) Road- 7
New DOHS Mohakhali Dhaka- 1207, Bangladesh
Tlf. + 880-2-48810-841, + 880-2-48810-842
Fax. + 880-2- 9899-486, Email- office@wasteconcern.org
www.wasteconcern.org

CLIENT :



LAO PEOPLE'S DEMOCRATIC REPUBLIC (LAO PDR)
MINISTRY OF INFORMATION, CULTURE AND TOURISM

REV.	DATE	DESCRIPTION	DRN
R01	20.07.2020	PRELIMINARY ISSUE	

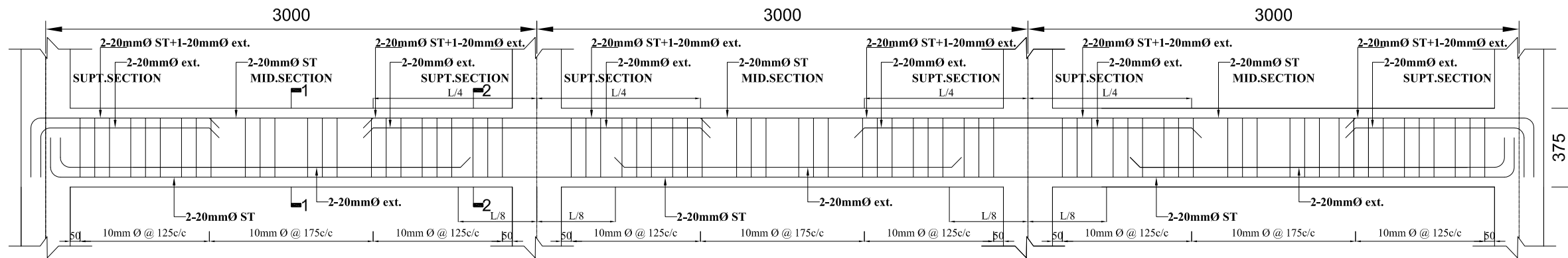
DESIGNED/DRAWN: /...
CHECKED: /...
APPROVED: /...

NAME OF PROJECT:
2ND GMS –TOURISM INFRASTRUCTURE FOR INCLUSIVE GROWTH
WORKS PACKAGE -TIIGP2-LAO-W04
Subproject V5: Vang Vieng Solid Waste Management Improvements

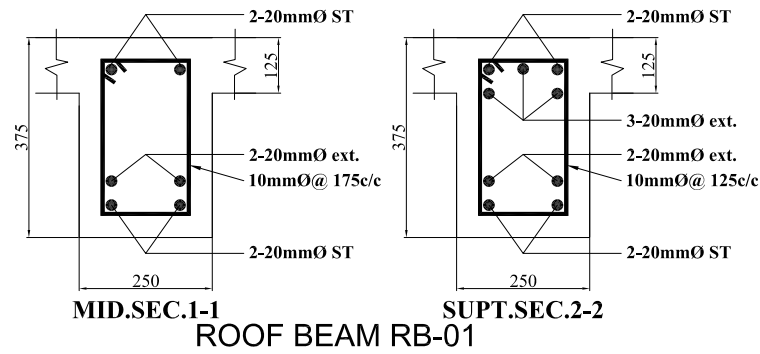
TITLE:
Office Building: Roof Beam Marking Layout Plan

DRAWING NO.: RAM-LAO-DED-W04-ST-03-6

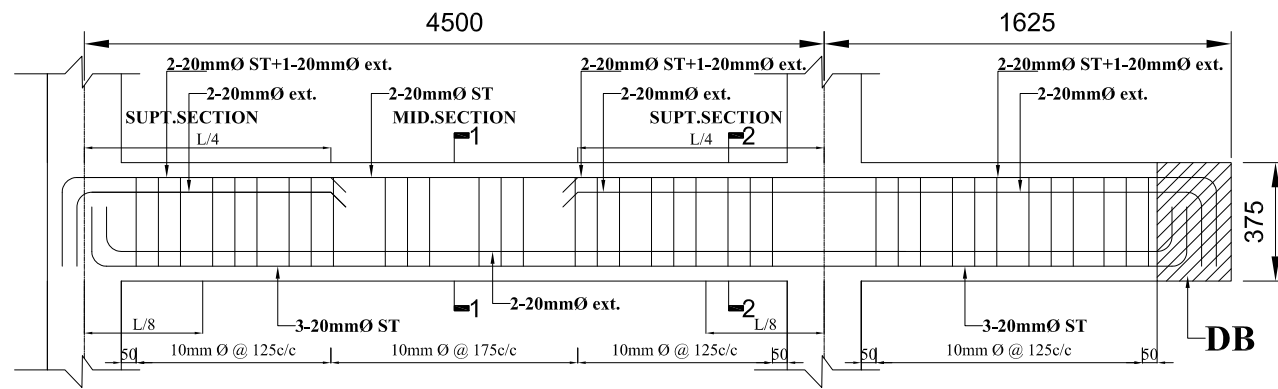
SHEET NO.: 00 OF 00
SHEET SIZE: A3
SCALE:
REV: R01
DATE: JULY 2020



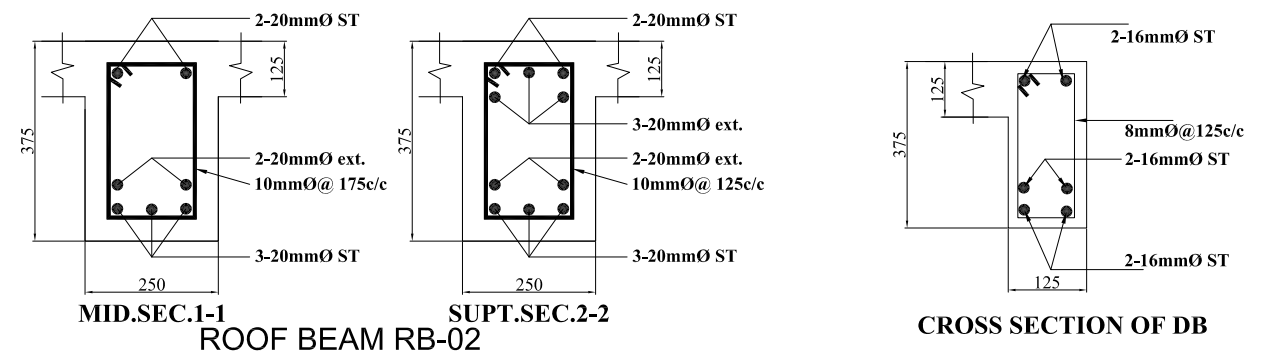
ROOF BEAM RB-01



ROOF BEAM RB-01



ROOF BEAM RB-02



ROOF BEAM RB-02

CROSS SECTION OF DB

LEAD CONSULTANT :



Hannemanns Alle 53
DK-2300 København S
Tlf. +45 5161 1000
Fax +45 5161 1001
www.ramboll.dk

SUB-CONSULTANT:



Waste Concern Consultants
Level- 4, House No.- 120/B, (Masjid Road) Road-7
New DOHS Mohakhali Dhaka- 1207, Bangladesh
Tlf. + 880-2-48810-841, + 880-2-48810-842
Fax. + 880-2- 9899-486, Email- office@wasteconcern.org
www.wasteconcern.org

CLIENT :



LAO PEOPLE'S DEMOCRATIC REPUBLIC (LAO PDR)
MINISTRY OF INFORMATION, CULTURE AND TOURISM

REV.	DATE	DESCRIPTION	DRN
R01	20.07.2020	PRELIMINARY ISSUE	

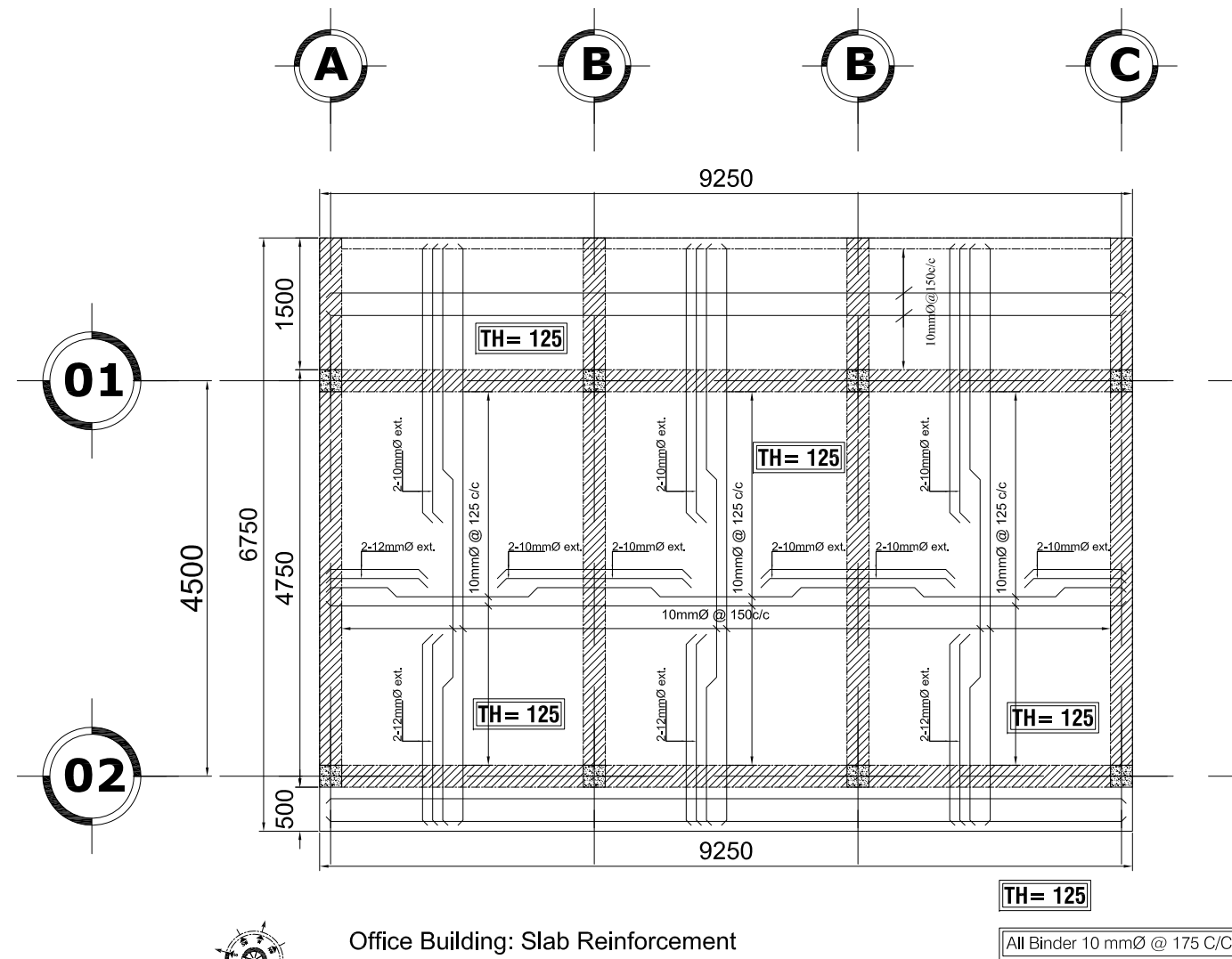
DESIGNED/DRAWN: /
CHECKED: /
APPROVED: /

NAME OF PROJECT:
2ND GMS -TOURISM INFRASTRUCTURE FOR INCLUSIVE GROWTH
WORKS PACKAGE -TIIGP2-LAO-W04
Subproject V5: Vang Vieng Solid Waste Management Improvements

TITLE:
Office Building: Roof Beam Long & Cross Section
Reinforcement Details

DRAWING NO.: RAM-LAO-DED-W04-ST-03-7

SHEET NO.: 00 OF 00
SHEET SIZE: A3
SCALE:
REV: R01 DATE: JULY 2020



Office Building: Slab Reinforcement
Scale :- 1:75

LEAD CONSULTANT :



Hannemanns Alle 53
DK-2300 København S
Tlf. +45 5161 1000
Fax +45 5161 1001
www.ramboll.dk

SUB-CONSULTANT:



Waste Concern Consultants
Level- 4, House No.- 120/B, (Masjid Road) Road- 7
New DOHS Mohakhali Dhaka- 1207, Bangladesh
Tlf. + 880-2-48810-841, + 880-2-48810-842
Fax. + 880-2- 9899-486, Email- office@wasteconcern.org
www.wasteconcern.org

CLIENT :

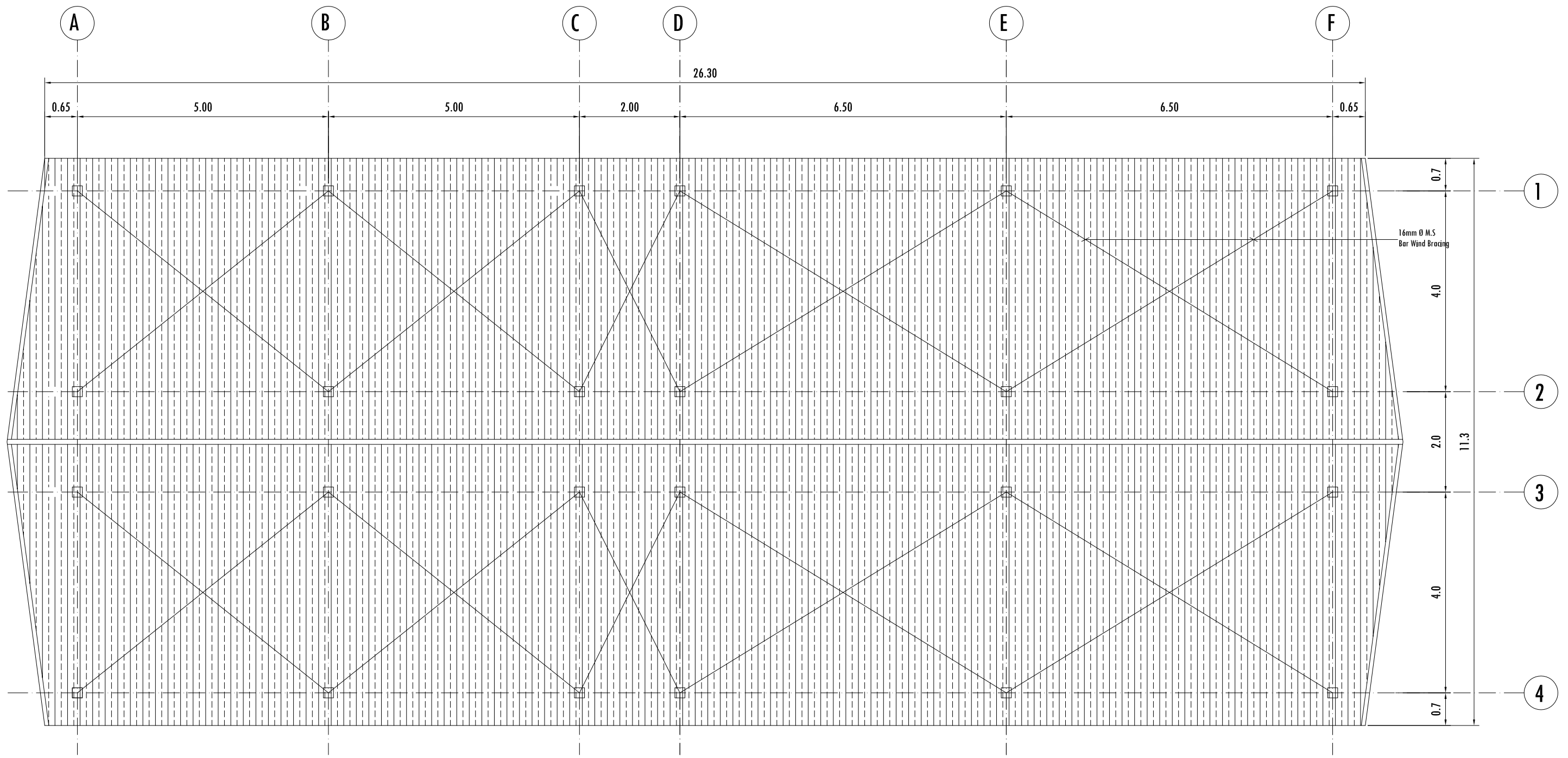


LAO PEOPLE'S DEMOCRATIC REPUBLIC (LAO PDR)
MINISTRY OF INFORMATION, CULTURE AND TOURISM

REV.	DATE	DESCRIPTION	DRN
R01	20.07.2020	PRELIMINARY ISSUE	

DESIGNED/DRAWN:
CHECKED:
APPROVED:

NAME OF PROJECT:		2ND GMS -TOURISM INFRASTRUCTURE FOR INCLUSIVE GROWTH	
		WORKS PACKAGE -TIIGP2-LAO-W04	
		Subproject V5: Vang Vieng Solid Waste Management Improvements	
TITLE:	Office Building: Slab Reinforcement	SHEET NO.:	00 OF 00
		SHEET SIZE:	A3
DRAWING NO.:	RAM-LAO-DED-W04-ST-03-8	REV:	R01
		DATE:	JULY 2020



ROOF PLAN

LEAD CONSULTANT :



Hannemanns Alle 53
DK-2300 København S
Tlf. +45 5161 1000
Fax +45 5161 1001
www.ramboll.dk

SUB-CONSULTANT:



Waste Concern Consultants
Level- 4, House No.- 120/B, (Masjid Road) Road- 7
New DOHS Mohakhali Dhaka- 1207, Bangladesh
Tlf. + 880-2-48810-841, + 880-2-48810-842
Fax. + 880-2- 9899-486, Email- office@wasteconcern.org
www.wasteconcern.org

CLIENT :



LAO PEOPLE'S DEMOCRATIC REPUBLIC (LAO PDR)
MINISTRY OF INFORMATION, CULTURE AND TOURISM

REV.	DATE	DESCRIPTION	DRN
RO1	20.07.2020	PRELIMINARY ISSUE	

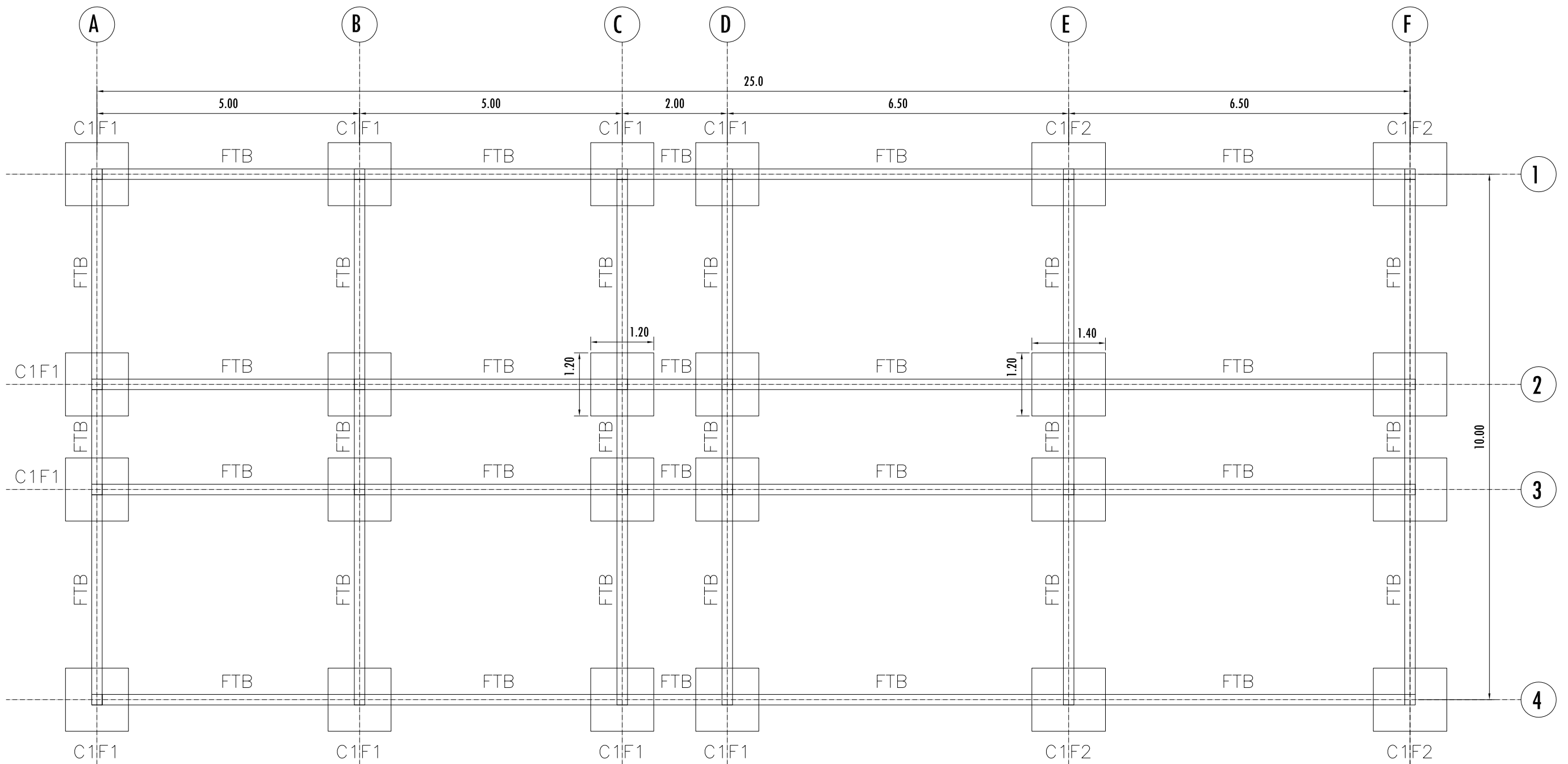
DESIGNED/DRAWN: /
CHECKED: /
APPROVED: /

NAME OF PROJECT:
2ND GMS –TOURISM INFRASTRUCTURE FOR INCLUSIVE GROWTH
WORKS PACKAGE -TIIGP2-LAO-W04
Subproject V5: Vang Vieng Solid Waste Management Improvements

TITLE:
Roof Plan of Workshop (Service Building)

DRAWING NO.: RAM-LAO-DED-W04-ST-04-1

SHEET NO.: 00 OF 00
SHEET SIZE: A3
SCALE:
REV: R01 DATE: JULY 2020



3 FOUNDATION PLAN
ST-14 scale: 1:80

LEAD CONSULTANT :



Hannemanns Alle 53
DK-2300 København S
Tlf. +45 5161 1000
Fax +45 5161 1001
www.ramboll.dk

SUB-CONSULTANT:



Waste Concern Consultants
Level- 4, House No.- 120/B, (Masjid Road) Road- 7
New DOHS Mohakhali Dhaka- 1207, Bangladesh
Tlf. + 880-2-48810-841, + 880-2-48810-842
Fax. + 880-2- 9899-486, Email- office@wasteconcern.org
www.wasteconcern.org

CLIENT :

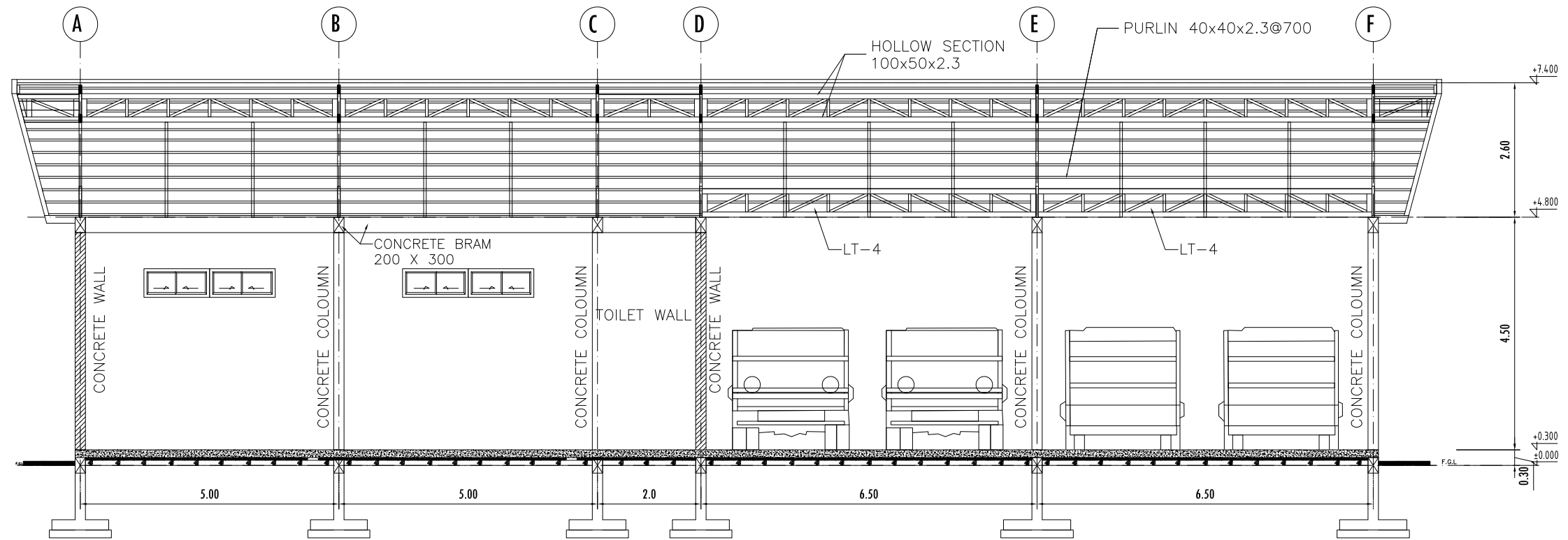


LAO PEOPLE'S DEMOCRATIC REPUBLIC (LAO PDR)
MINISTRY OF INFORMATION, CULTURE AND TOURISM

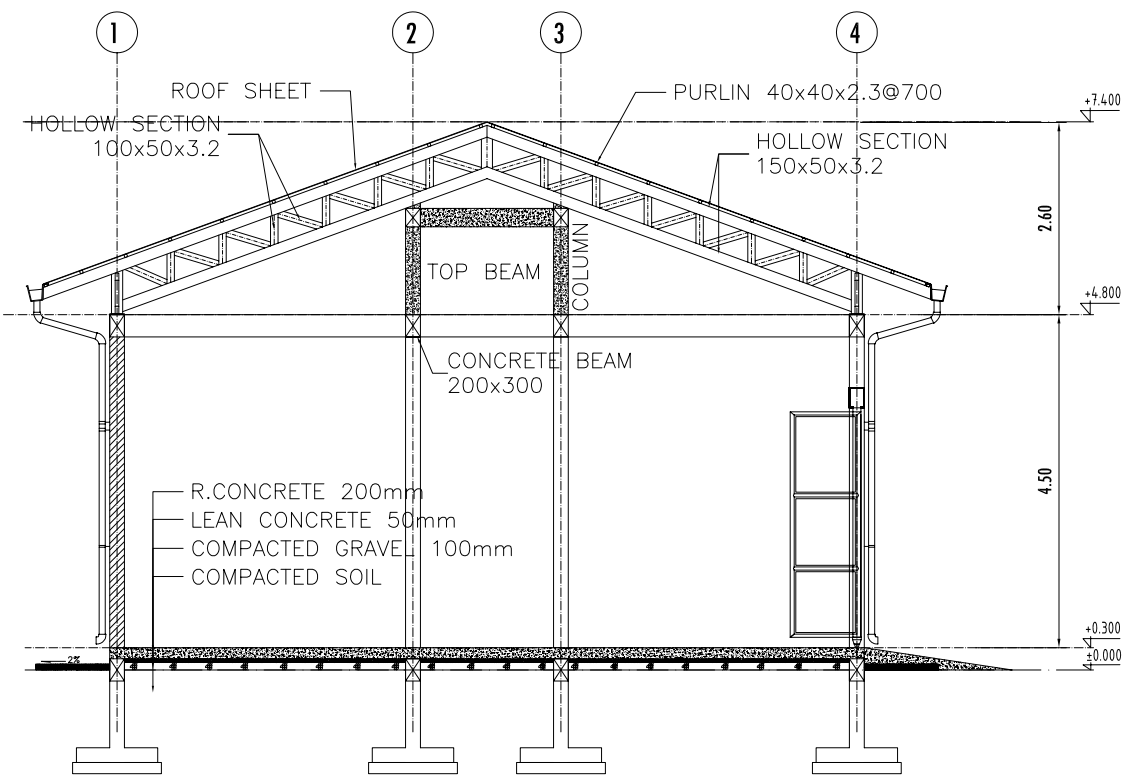
REV.	DATE	DESCRIPTION	DRN
R01	20.07.2020	PRELIMINARY ISSUE	

DESIGNED/DRAWN:
CHECKED:
APPROVED:

NAME OF PROJECT:		2ND GMS -TOURISM INFRASTRUCTURE FOR INCLUSIVE GROWTH	
		WORKS PACKAGE -TIIGP2-LAO-W04	
TITLE:		Subproject V5: Vang Vieng Solid Waste Management Improvements	
DRAWING NO.:		RAM-LAO-DED-W04-ST-04-2	
SHEET NO.:	00 OF 00	SHEET SIZE:	A3
SCALE:		REV:	R01
		DATE:	JULY 2020



SECTION B-B
scale: 1:80



SECTION B-B
scale: 1:80

LEAD CONSULTANT :



Hannemanns Alle 53
DK-2300 København S
Tlf. +45 5161 1000
Fax +45 5161 1001
www.ramboll.dk

SUB-CONSULTANT:



Waste Concern Consultants
Level- 4, House No.- 120/B, (Masjid Road) Road- 7
New DOHS Mohakhali Dhaka- 1207, Bangladesh
Tlf. + 880-2-48810-841, + 880-2-48810-842
Fax. + 880-2- 9899-486, Email- office@wasteconcern.org
www.wasteconcern.org

CLIENT :



LAO PEOPLE'S DEMOCRATIC REPUBLIC (LAO PDR)
MINISTRY OF INFORMATION, CULTURE AND TOURISM

REV.	DATE	DESCRIPTION	DRN
R01	20.07.2020	PRELIMINARY ISSUE	

DESIGNED/DRAWN: /...
CHECKED: /...
APPROVED: /...

NAME OF PROJECT:
2ND GMS -TOURISM INFRASTRUCTURE FOR INCLUSIVE GROWTH
WORKS PACKAGE -TIIGP2-LAO-W04

Subproject V5: Vang Vieng Solid Waste Management Improvements

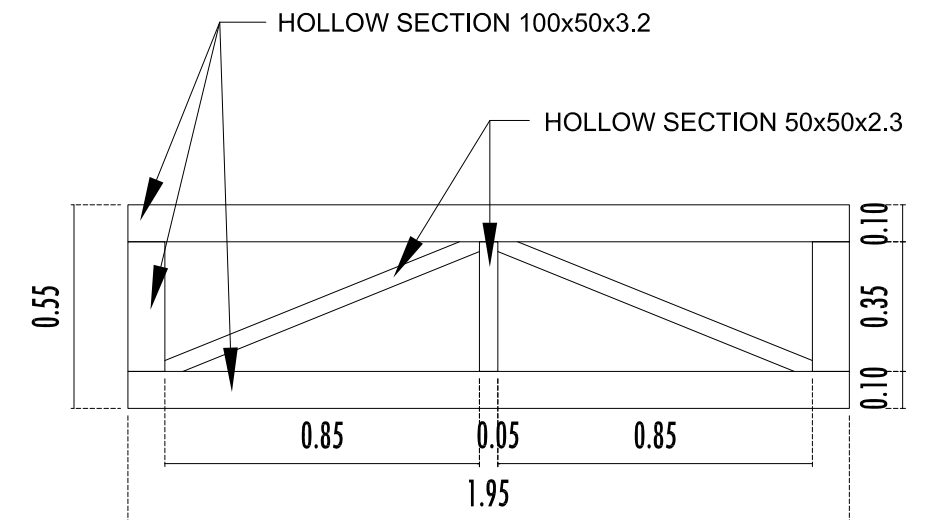
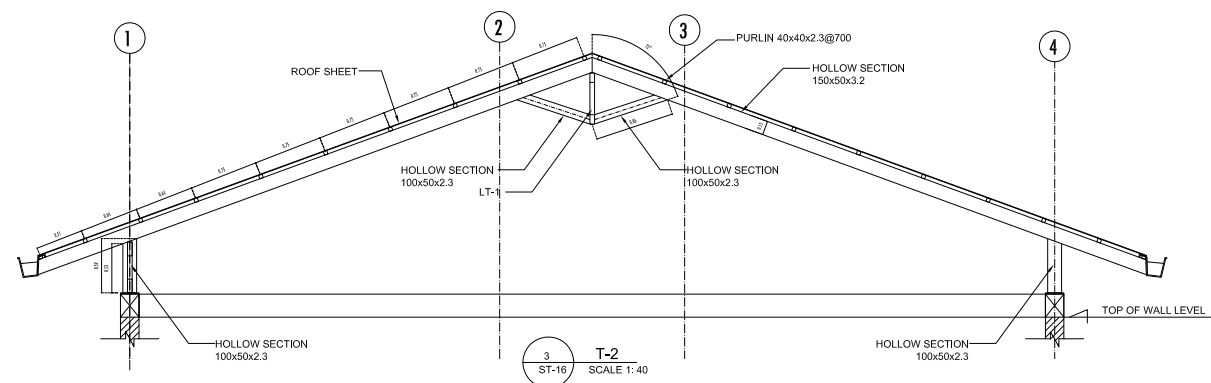
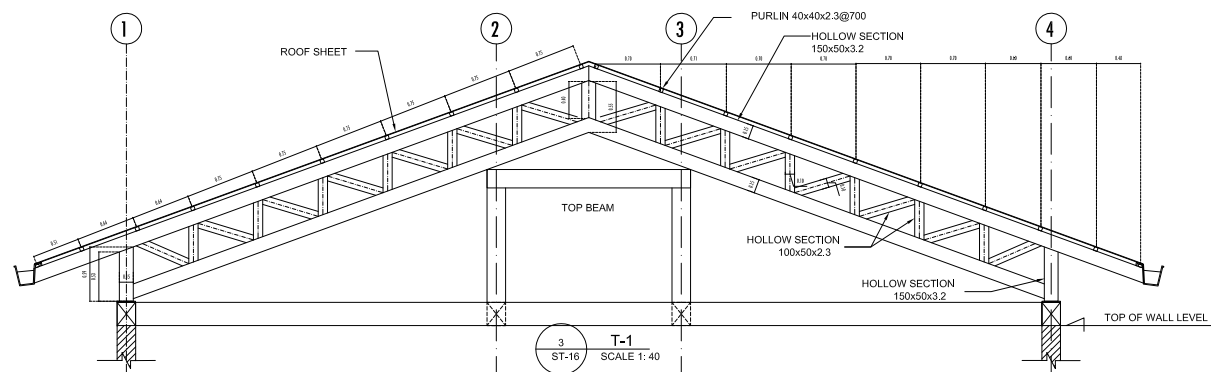
TITLE:
Frame Elevation of Workshop (Service Building)

DRAWING NO.: RAM-LAO-DED-W04-ST-04-3

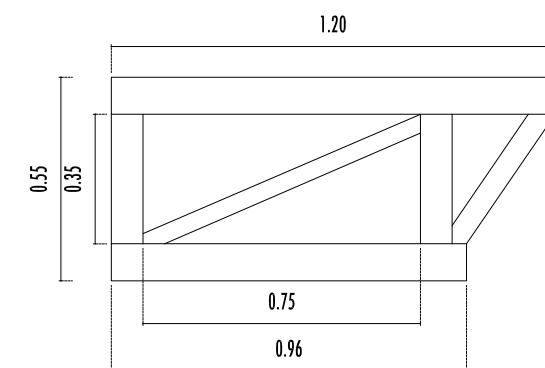
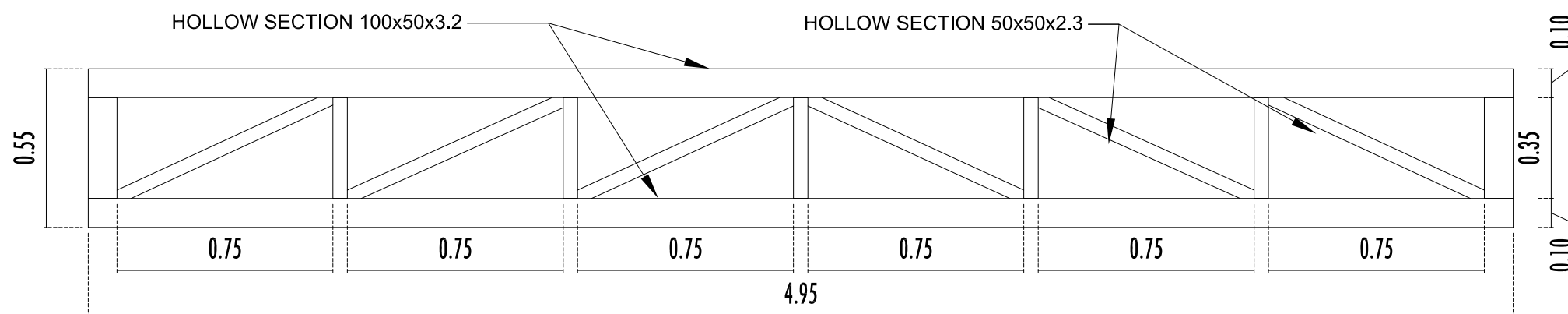
SHEET NO.: 00 OF 00
SHEET SIZE: A3

SCALE:

REV: R01 DATE: JULY 2020



3
ST-16
LT-2
SCALE 1:25



3
ST-16
LT-5
SCALE 1:25

3
ST-16
T-1
SCALE 1: 25

LEAD CONSULTANT :



Hannemanns Alle 53
DK-2300 København S
Tlf. +45 5161 1000
Fax +45 5161 1001
www.ramboll.dk

SUB-CONSULTANT:



Waste Concern Consultants
Level- 4, House No.- 120/B, (Masjid Road) Road- 7
New DOHS Mohakhali Dhaka- 1207, Bangladesh
Tlf. + 880-2-48810-841, + 880-2-48810-842
Fax. + 880-2- 9899-486, Email- office@wasteconcern.org
www.wasteconcern.org

CLIENT :



LAO PEOPLE'S DEMOCRATIC REPUBLIC (LAO PDR)
MINISTRY OF INFORMATION, CULTURE AND TOURISM

REV.	DATE	DESCRIPTION	DRN
R01	20.07.2020	PRELIMINARY ISSUE	

DESIGNED/DRAWN:

CHECKED:

APPROVED:

NAME OF PROJECT:
**2ND GMS -TOURISM INFRASTRUCTURE FOR INCLUSIVE GROWTH
WORKS PACKAGE -TIIGP2-LAO-W04**

Subproject V5: Vang Vieng Solid Waste Management Improvements

TITLE:
Truss Details of Workshop (Service Building)

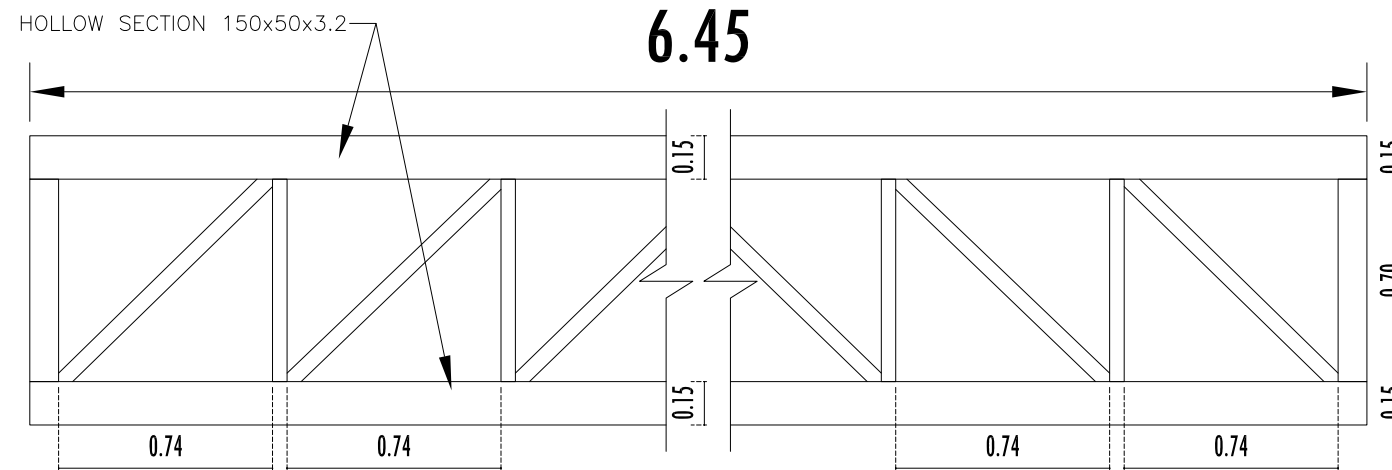
DRAWING NO.: RAM-LAO-DED-W04-ST-04-4

SHEET NO.: 00 OF 00

SHEET SIZE: A3

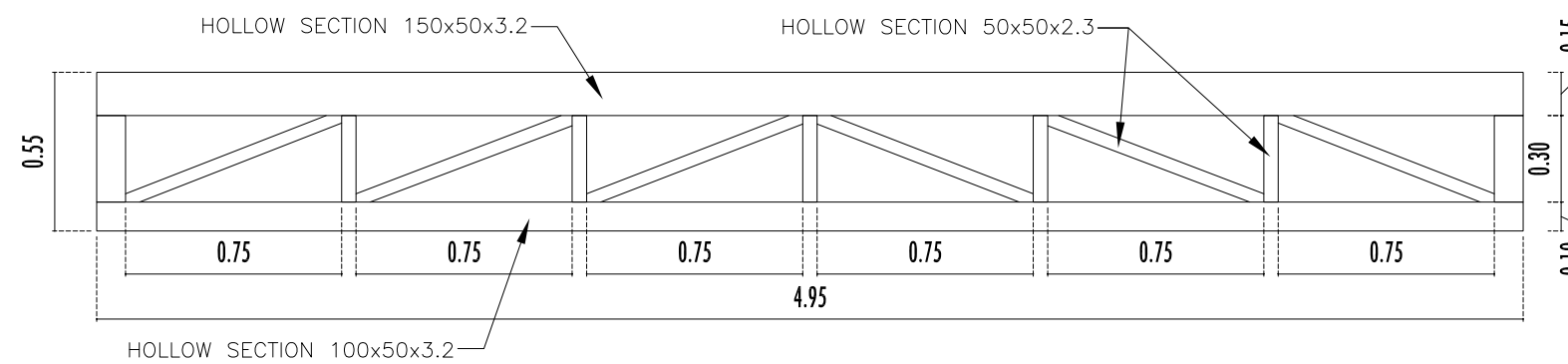
SCALE:

REV: R01 DATE: JULY 2020



3
ST-17

LT-3
SCALE 1: 40



3
ST-17

T-4
SCALE 1: 40

LEAD CONSULTANT :

RAMBOLL

Hannemanns Alle 53
DK-2300 København S
Tlf. +45 5161 1000
Fax +45 5161 1001
www.ramboll.dk

SUB-CONSULTANT:



Waste Concern Consultants

Level- 4, House No.- 120/B, (Masjid Road) Road- 7
New DOHS Mohakhali Dhaka- 1207, Bangladesh
Tlf. + 880-2-48810-841, + 880-2-48810-842
Fax. + 880-2- 9899-486, Email- office@wasteconcern.org
www.wasteconcern.org

CLIENT :



LAO PEOPLE'S DEMOCRATIC REPUBLIC (LAO PDR)
MINISTRY OF INFORMATION, CULTURE AND TOURISM

REV.	DATE	DESCRIPTION	DRN
R01	20.07.2020	PRELIMINARY ISSUE	

DESIGNED/DRAWN:

CHECKED:

APPROVED:

NAME OF PROJECT:
2ND GMS -TOURISM INFRASTRUCTURE FOR INCLUSIVE GROWTH
WORKS PACKAGE -TIIGP2-LAO-W04

Subproject V5: Vang Vieng Solid Waste Management Improvements

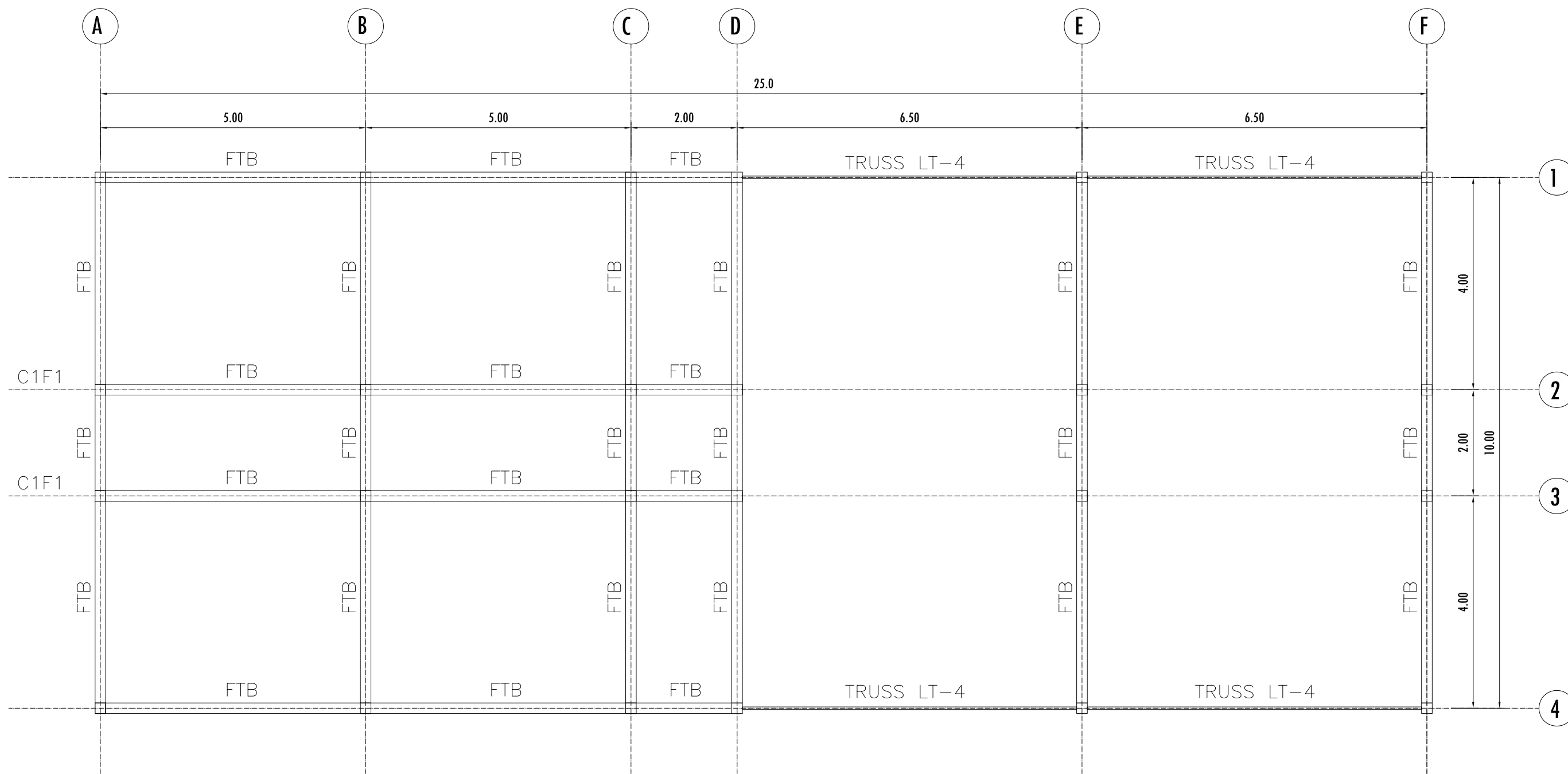
TITLE:
Truss Details of Workshop (Service Building)

DRAWING NO.: RAM-LAO-DED-W04-ST-04-5


SHEET NO.:
00 OF 00

SHEET SIZE:
A3

SCALE:
REV: R01 DATE: JULY 2020




3 STRUCTURAL FOR TOP PLAN
 ST-18 scale: 1:80

LEAD CONSULTANT :

 Hannemanns Alle 53
 DK-2300 København S
 Tlf. +45 5161 1000
 Fax +45 5161 1001
 www.ramboll.dk

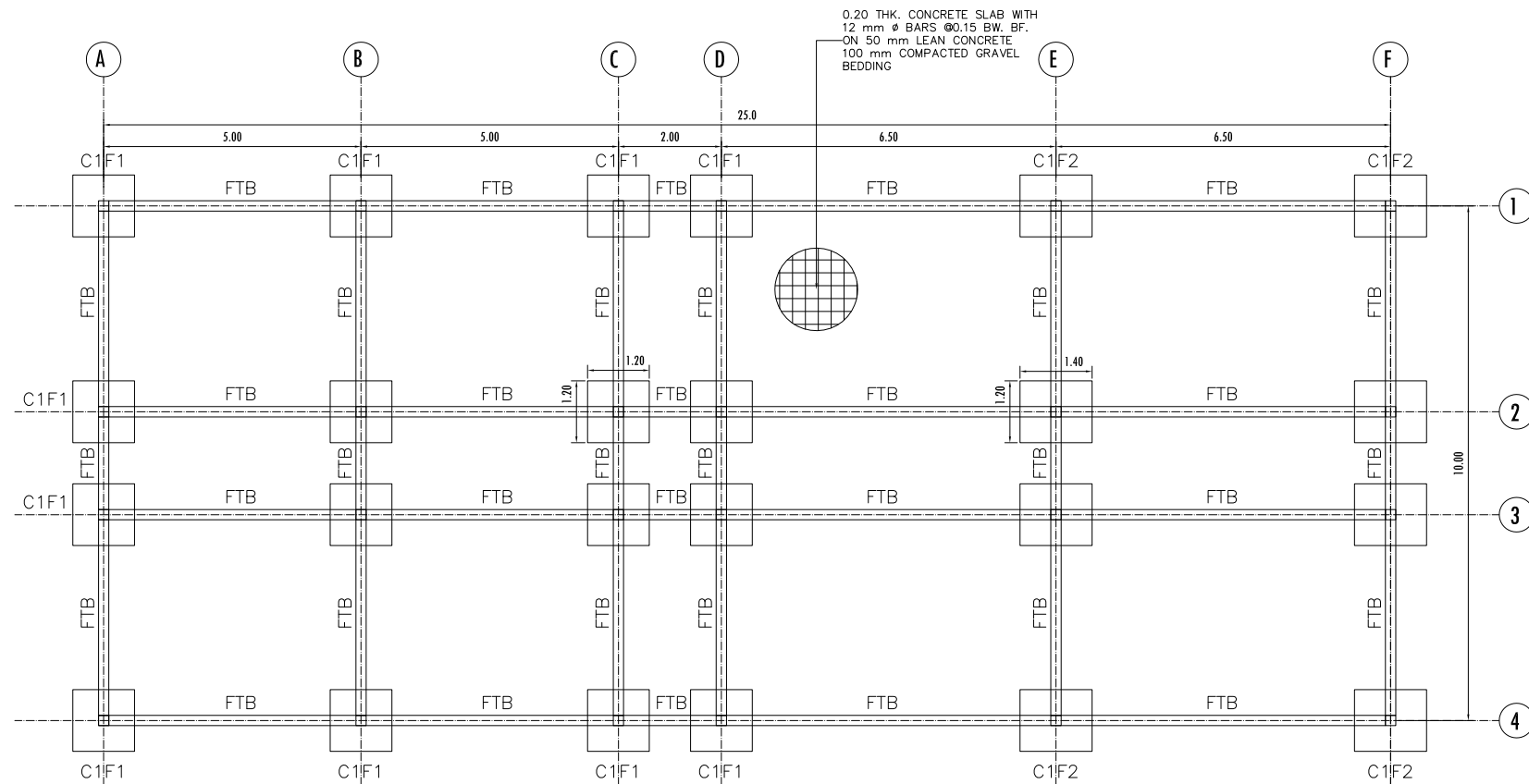
SUB-CONSULTANT:

Waste Concern Consultants
 Level- 4, House No.- 120/B, (Masjid Road) Road- 7
 New DOHS Mohakhali Dhaka- 1207, Bangladesh
 Tlf. + 880-2-48810-841, + 880-2-48810-842
 Fax. + 880-2- 9899-486, Email- office@wasteconcern.org
 www.wasteconcern.org

CLIENT :

LAOS
 LAO PEOPLE'S DEMOCRATIC REPUBLIC (LAO PDR)
 MINISTRY OF INFORMATION, CULTURE AND TOURISM

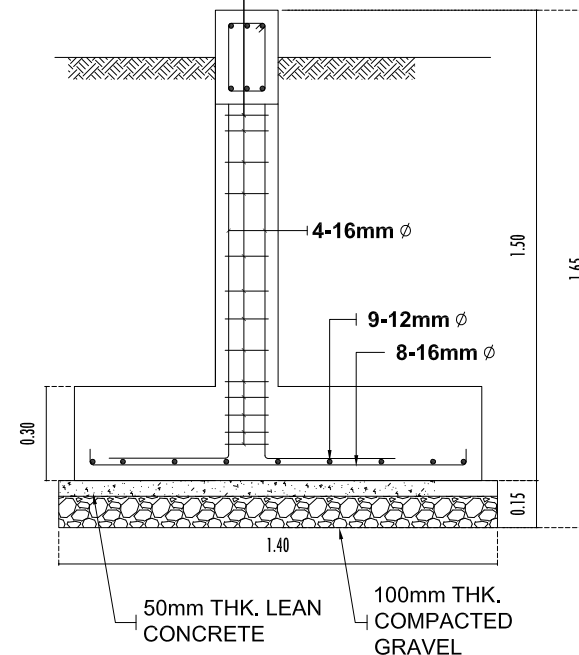
REV.	DATE	DESCRIPTION	DRN
R01	20.07.2020	PRELIMINARY ISSUE	

DESIGNED/DRAWN: /...
 CHECKED: /...
 APPROVED: /...
 NAME OF PROJECT:
2ND GMS -TOURISM INFRASTRUCTURE FOR INCLUSIVE GROWTH
WORKS PACKAGE -TIIGP2-LAO-W04
Subproject V5: Vang Vieng Solid Waste Management Improvements
 TITLE:
 Structural for Top Views of Workshop (Service Building)
 SHEET NO.: 00 OF 00
 SHEET SIZE: A3
 SCALE:
 DRAWING NO.: RAM-LAO-DED-W04-ST-04-6
 REV: R01
 DATE: JULY 2020



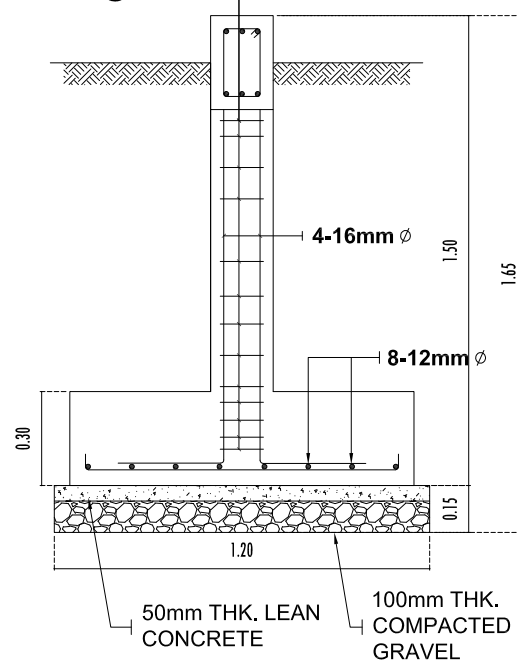
3 FOUNDATION PLAN
scale: 1:80

10mm Ø Ties spaced:
1 @ 0.05; 2 @ 0.10; 3 @
0.15 Rest @ 0.20.0.C



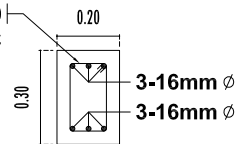
4B P1F1 SECTION
SCALE 1 : 25

10mm Ø Ties spaced:
1 @ 0.05; 2 @ 0.10; 3 @
0.15 Rest @ 0.20.0.C

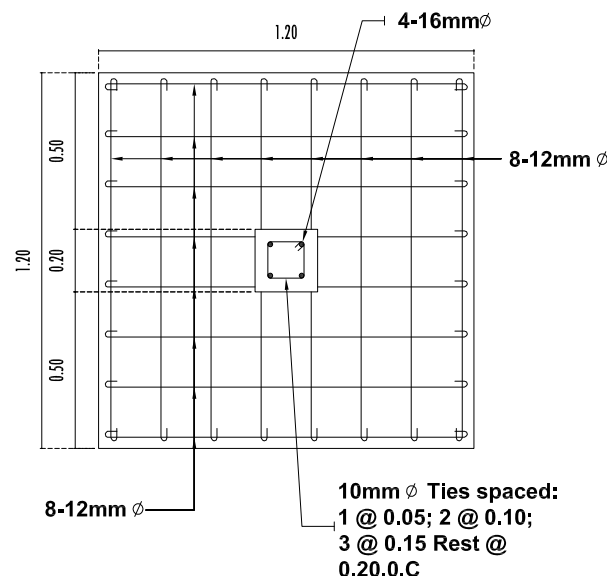


3B C1F1 SECTION
SCALE: 1:25

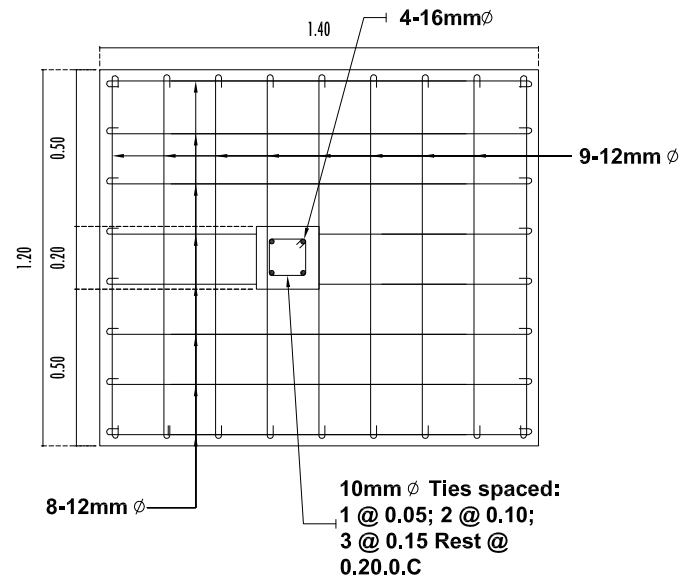
10mmØ Stirrups spaced:
1 @ 0.052 @ 0.10
Rest @ 0.15 0.C



3C FTB DETAIL
SCALE: 1:25



3A P1F1 PLAN
SCALE 1 : 25



4A P1F1 PLAN
SCALE 1 : 25

LEAD CONSULTANT :



Hannemanns Alle 53
DK-2300 København S
Tlf. +45 5161 1000
Fax +45 5161 1001
www.ramboll.dk

SUB-CONSULTANT:



Waste Concern Consultants
Level- 4, House No.- 120/B, (Masjid Road) Road- 7
New DOHS Mohakhali Dhaka- 1207, Bangladesh
Tlf. + 880-2-48810-841, + 880-2-48810-842
Fax. + 880-2- 9899-486, Email- office@wasteconcern.org
www.wasteconcern.org

CLIENT :

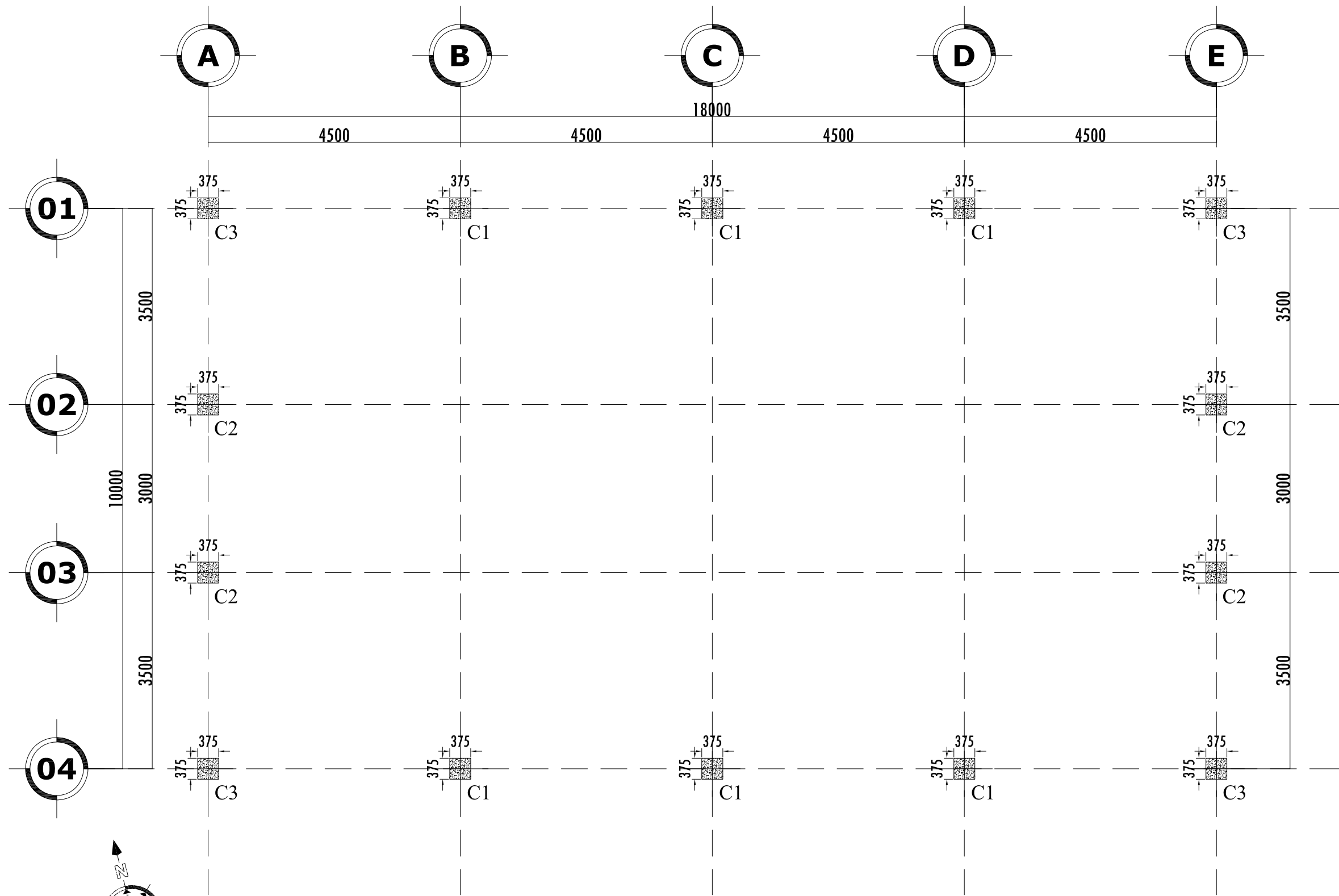


LAO PEOPLE'S DEMOCRATIC REPUBLIC (LAO PDR)
MINISTRY OF INFORMATION, CULTURE AND TOURISM

REV.	DATE	DESCRIPTION	DRN
R01	20.07.2020	PRELIMINARY ISSUE	

DESIGNED/DRAWN:	
CHECKED:	
APPROVED:	

NAME OF PROJECT: 2ND GMS -TOURISM INFRASTRUCTURE FOR INCLUSIVE GROWTH WORKS PACKAGE -TIIGP2-LAO-W04 Subproject V5: Vang Vieng Solid Waste Management Improvements		SHEET NO.:	SHEET SIZE:
TITLE: Reinforcement and Structural Details of Workshop (Service Building)		00 OF 00	A3
DRAWING NO.:		REV:	DATE:
RAM-LAO-DED-W04-ST-04-7		R01	JULY 2020



Column Marking Lay-out Plan of Hazardous Waste Storage Building
Scale :- 1:100

LEAD CONSULTANT :



Hannemanns Alle 53
DK-2300 København S
Tlf. +45 5161 1000
Fax +45 5161 1001
www.ramboll.dk

SUB-CONSULTANT:



Waste Concern Consultants
Level- 4, House No.- 120/B, (Masjid Road) Road- 7
New DOHS Mohakhali Dhaka- 1207, Bangladesh
Tlf. + 880-2-48810-841, + 880-2-48810-842
Fax. + 880-2- 9899-486, Email- office@wasteconcern.org
www.wasteconcern.org

CLIENT :

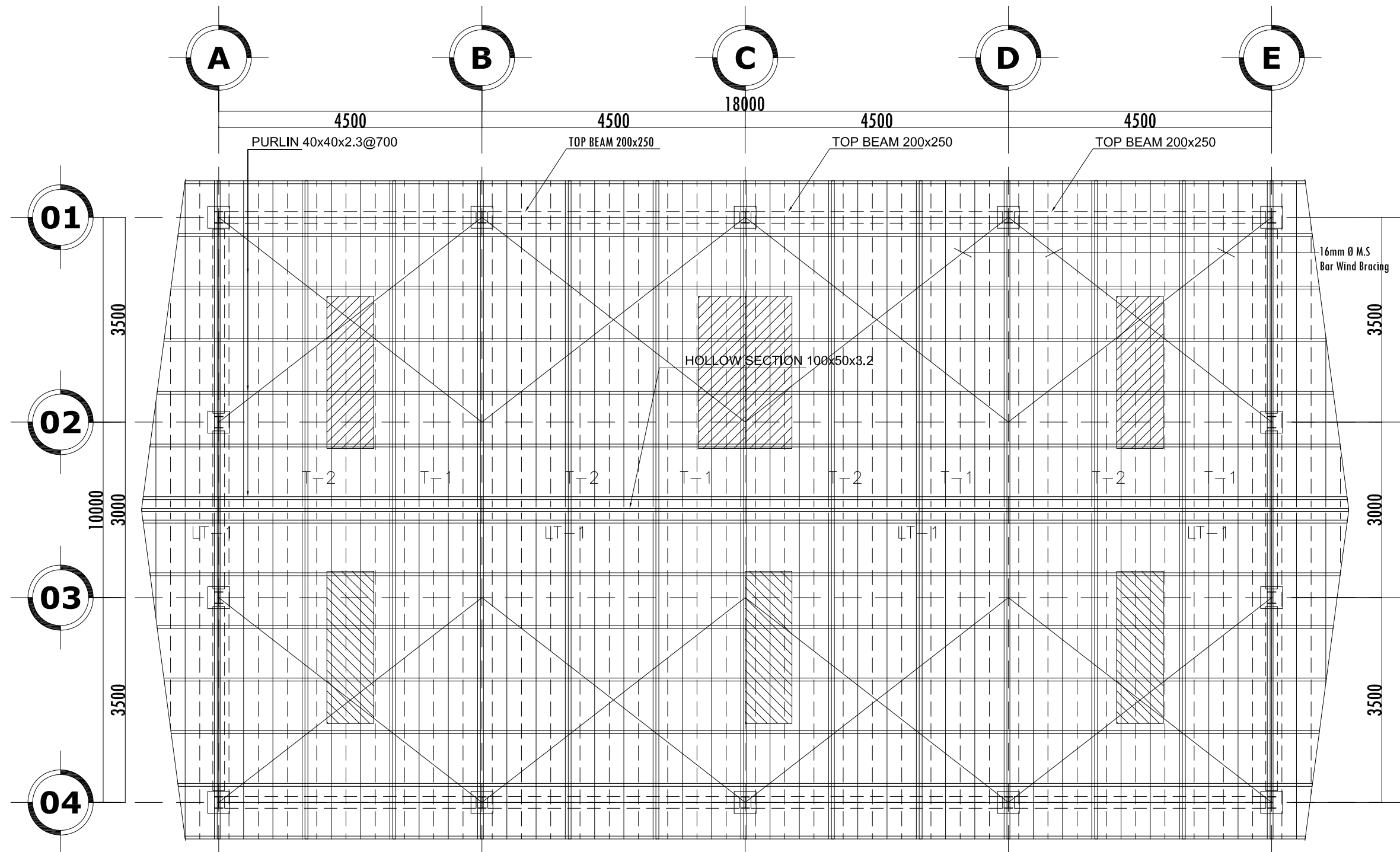


LAO PEOPLE'S DEMOCRATIC REPUBLIC (LAO PDR)
MINISTRY OF INFORMATION, CULTURE AND TOURISM

REV.	DATE	DESCRIPTION	DRN
R01	20.07.2020	PRELIMINARY ISSUE	

DESIGNED/DRAWN: /...
CHECKED: /...
APPROVED: /...

NAME OF PROJECT: 2ND GMS -TOURISM INFRASTRUCTURE FOR INCLUSIVE GROWTH WORKS PACKAGE -TIIGP2-LAO-W04 Subproject V5: Vang Vieng Solid Waste Management Improvements		SHEET NO.: 00 OF 00	SHEET SIZE: A3
TITLE: Column Marking Lay-out Plan of Hazardous Waste Storage		SCALE:	
DRAWING NO.: RAM-LAO-DED-W04-ST-05-1		REV: R01	DATE: JULY 2020



Plan of Hazardous Waste Storage

3 ROOF PLAN
ST-14 SCALE 1:80

LEAD CONSULTANT :



Hannemanns Alle 53
DK-2300 København S
Tlf. +45 5161 1000
Fax +45 5161 1001
www.ramboll.dk

SUB-CONSULTANT:



Waste Concern Consultants
Level- 4, House No.- 120/B, (Masjid Road) Road- 7
New DOHS Mohakhali Dhaka- 1207, Bangladesh
Tlf. + 880-2-48810-841, + 880-2-48810-842
Fax. + 880-2- 9899-486, Email- office@wasteconcern.org
www.wasteconcern.org

CLIENT :



LAO PEOPLE'S DEMOCRATIC REPUBLIC (LAO PDR)
MINISTRY OF INFORMATION, CULTURE AND TOURISM

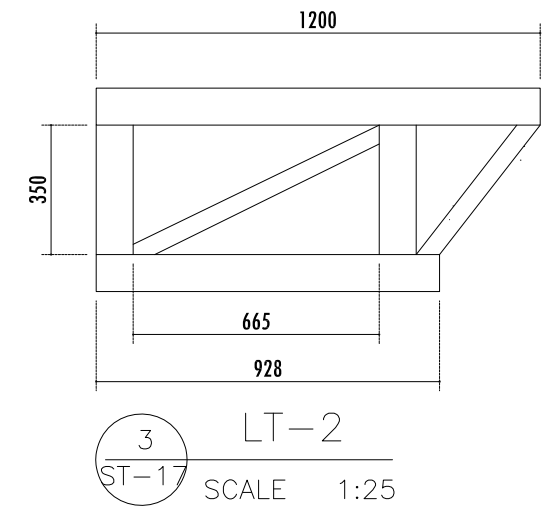
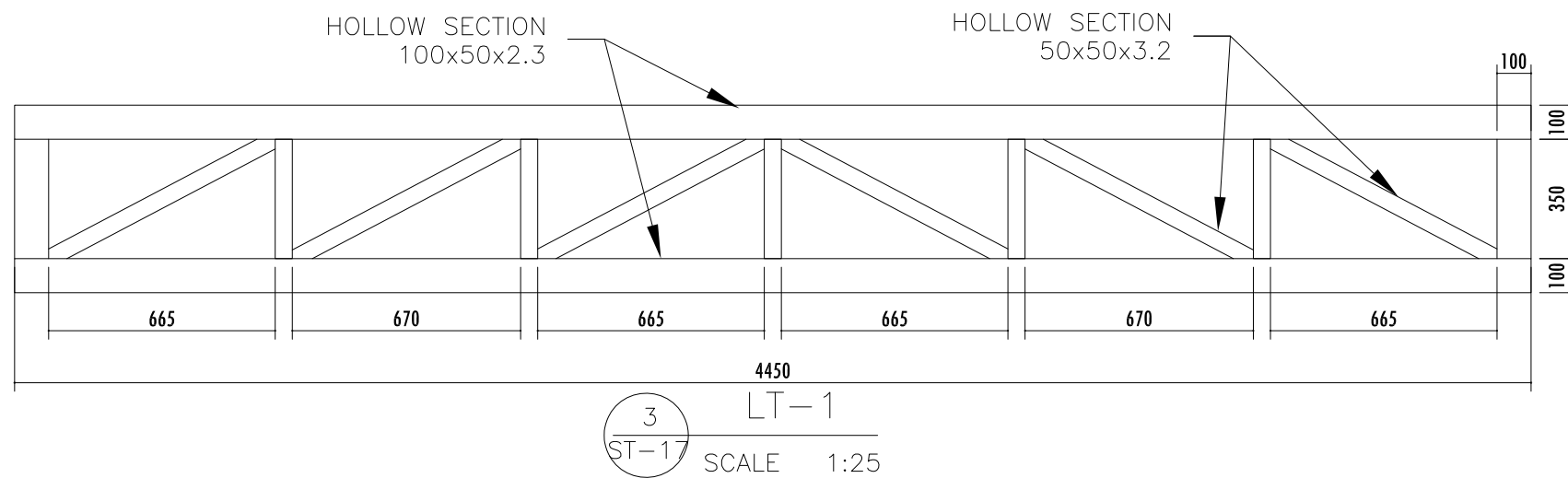
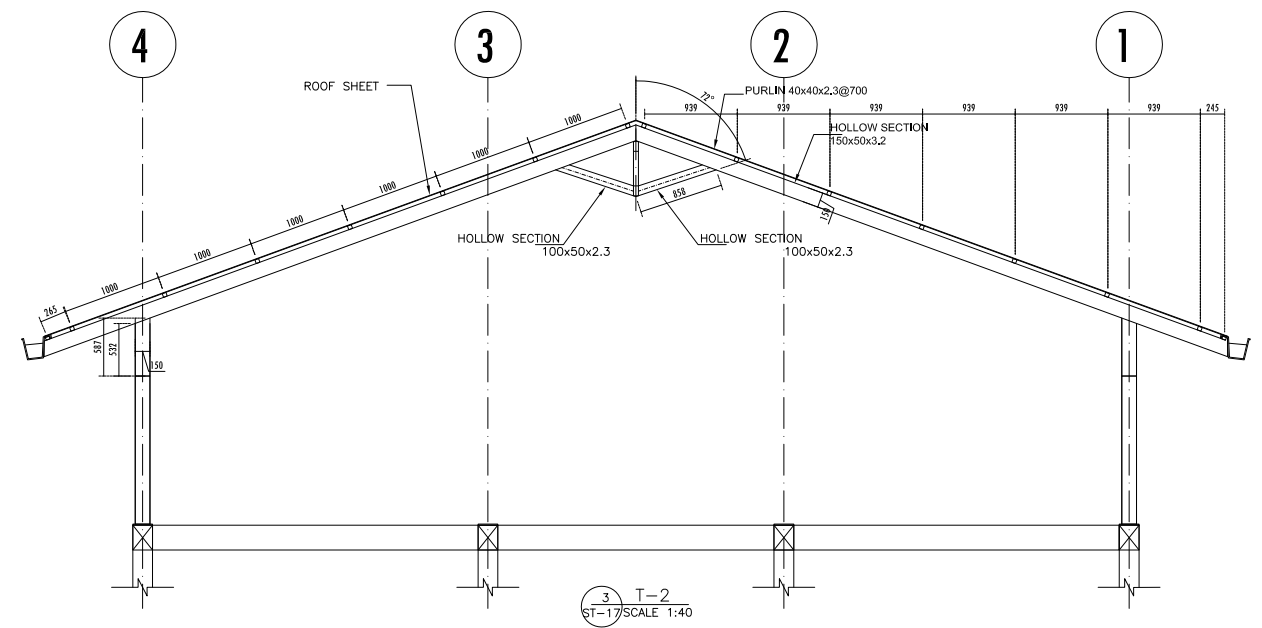
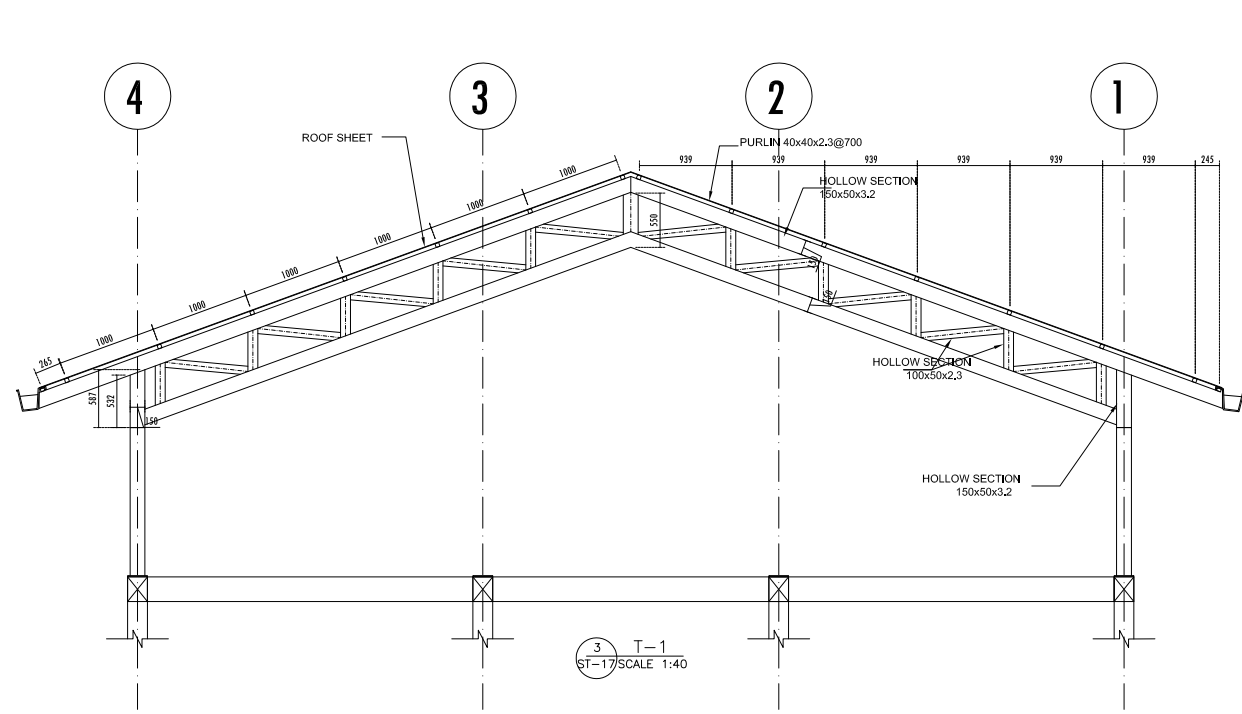
REV.	DATE	DESCRIPTION	DRN
R01	20.07.2020	PRELIMINARY ISSUE	

DESIGNED/DRAWN: /
CHECKED: /
APPROVED: /

NAME OF PROJECT:
2ND GMS -TOURISM INFRASTRUCTURE FOR INCLUSIVE GROWTH
WORKS PACKAGE -TIIGP2-LAO-W04
Subproject V5: Vang Vieng Solid Waste Management Improvements

TITLE:
Roof Top Plan
DRAWING NO.: RAM-LAO-DED-W04-ST-05-10

SHEET NO.: 00 OF 00
SHEET SIZE: A3
SCALE:
REV: R01 DATE: JULY 2020



LEAD CONSULTANT :



Hannemanns Alle 53
DK-2300 København S
Tlf. +45 5161 1000
Fax +45 5161 1001
www.ramboll.dk

SUB-CONSULTANT:



Waste Concern Consultants
Level- 4, House No.- 120/B, (Masjid Road) Road- 7
New DOHS Mohakhali Dhaka- 1207, Bangladesh
Tlf. + 880-2-48810-841, + 880-2-48810-842
Fax. + 880-2- 9899-486, Email- office@wasteconcern.org
www.wasteconcern.org

CLIENT :

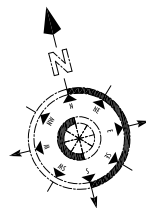
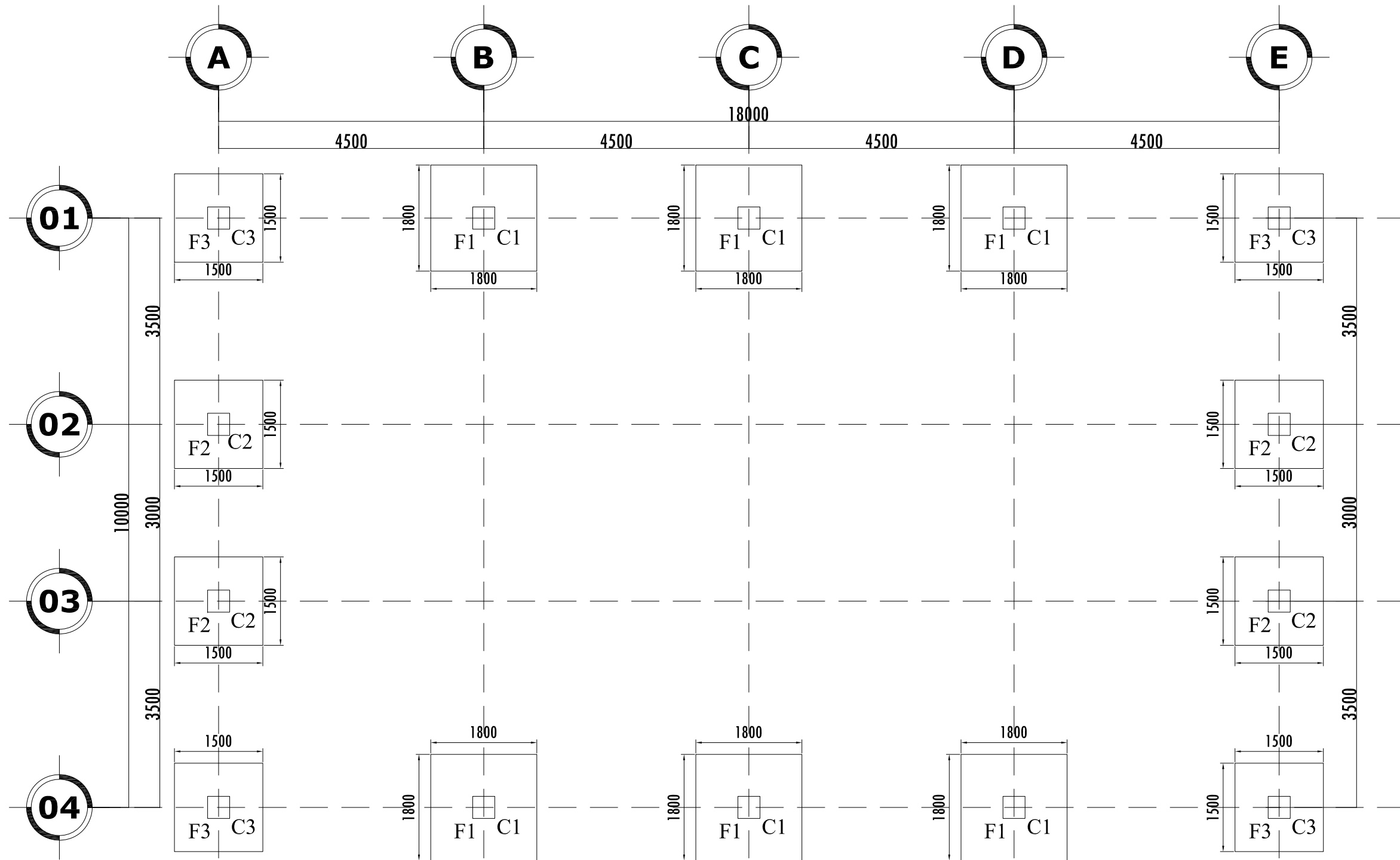


LAO PEOPLE'S DEMOCRATIC REPUBLIC (LAO PDR)
MINISTRY OF INFORMATION, CULTURE AND TOURISM

REV.	DATE	DESCRIPTION	DRN
R01	20.07.2020	PRELIMINARY ISSUE	

DESIGNED/DRAWN: _____
CHECKED: _____
APPROVED: _____

NAME OF PROJECT: 2ND GMS -TOURISM INFRASTRUCTURE FOR INCLUSIVE GROWTH WORKS PACKAGE -TIIGP2-LAO-W04 Subproject V5: Vang Vieng Solid Waste Management Improvements		SHEET NO.: 00 OF 00	SHEET SIZE: A3
TITLE: CROSS SECTION		SCALE:	
DRAWING NO.: RAM-LAO-DED-W04-ST-05-11	REV: R01	DATE: JULY 2020	



Footings Marking Lay-out Plan of Hazardous Waste Storage Building

Scale :- 1:100

LEAD CONSULTANT :



Hannemanns Alle 53
DK-2300 København S
Tlf. +45 5161 1000
Fax +45 5161 1001
www.ramboll.dk

SUB-CONSULTANT:



Waste Concern Consultants
Level- 4, House No.- 120/B, (Masjid Road) Road- 7
New DOHS Mohakhali Dhaka- 1207, Bangladesh
Tlf. + 880-2-48810-841, + 880-2-48810-842
Fax. + 880-2- 9899-486, Email- office@wasteconcern.org
www.wasteconcern.org

CLIENT :



LAO PEOPLE'S DEMOCRATIC REPUBLIC (LAO PDR)
MINISTRY OF INFORMATION, CULTURE AND TOURISM

REV.	DATE	DESCRIPTION	DRN
RO1	20.07.2020	PRELIMINARY ISSUE	

DESIGNED/DRAWN: /...
CHECKED: /...
APPROVED: /...

NAME OF PROJECT:
2ND GMS -TOURISM INFRASTRUCTURE FOR INCLUSIVE GROWTH
WORKS PACKAGE -TIIGP2-LAO-W04
Subproject V5: Vang Vieng Solid Waste Management Improvements

TITLE:
Footings Marking Lay-out Plan of Hazardous Waste Storage

DRAWING NO.: RAM-LAO-DED-W04-ST-05-2

SHEET NO.: 00 OF 00
SHEET SIZE: A3
SCALE:

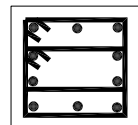
REV: R01 DATE: JULY 2020

R.C.C COLUMN SCHEDULE

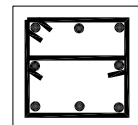
SCALE 1 : 30

NAME OF COL.	BELOW GROUND FLOOR		GROUND FLOOR		STIRRUPS AT ALL FLOORS
	SIZE	VER. BAR	SIZE	VER. BAR	
C1	450X450	10-16mmØ	375X375	10-16mmØ	10 mm Ø @ 100 to 200c/c ¼th of clear ht. @ 100c/c & ½th of mid ht. @ 200c/c
C2	450X450	8-16mmØ	375X375	8-16mmØ	
C3	450X450	8-16mmØ	375X375	8-16mmØ	

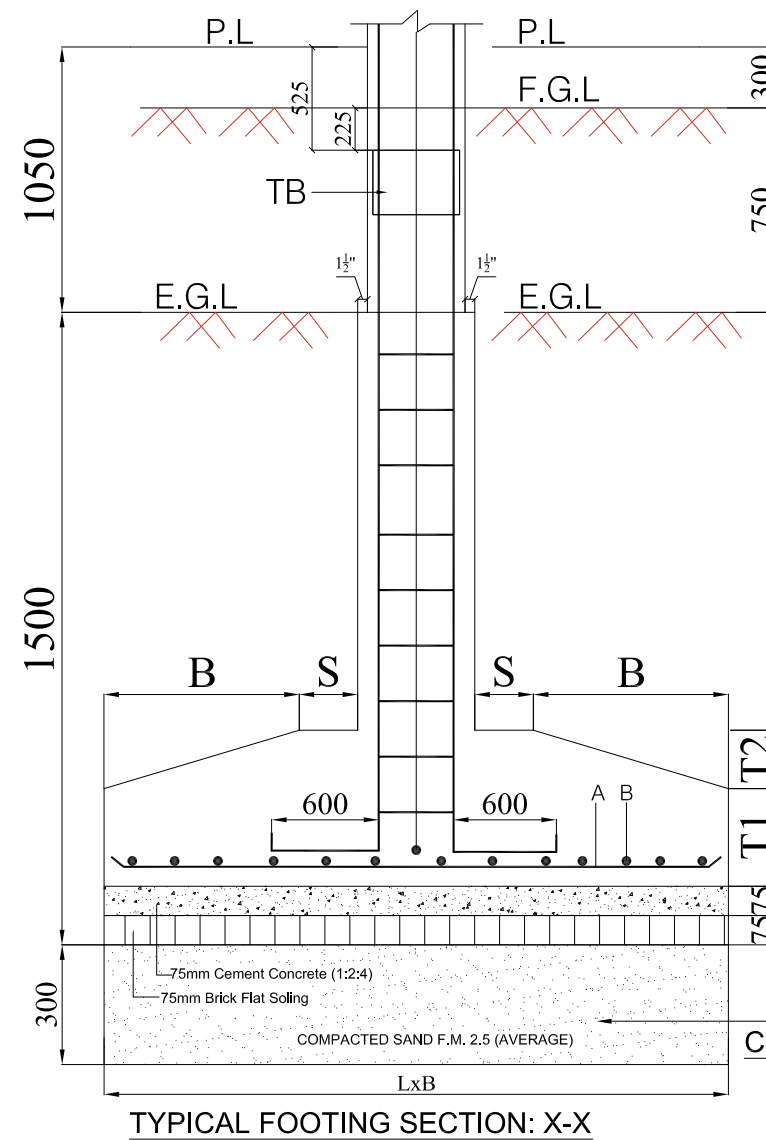
Arrangement of vertical bar & ties



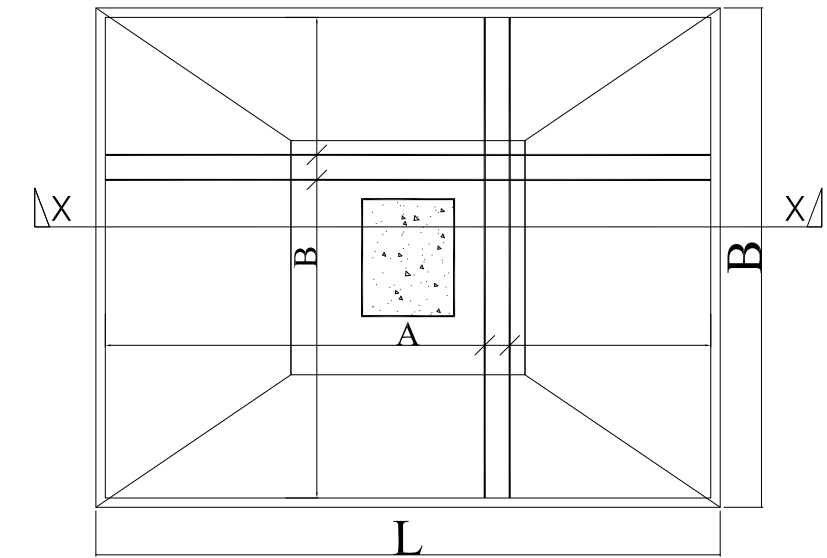
10 NOS



8 NOS



TYPICAL FOOTING SECTION: X-X



TYPICAL FOOTING PLAN

R.C.C. FOOTING SCHEDULE

SCALE 1 : 30

NAME OF FOOTING	SIZE LxB	T1	T2	S	B	A x B
F1	1800 x 1800	275	120	250	425	16 mm Ø @ 125C/C bothways
F2	1500 x 1500	250	100	200	325	12 mm Ø @ 110 C/C bothways
F3	1500 x 1500	250	100	200	325	12 mm Ø @ 110 C/C bothways

LEAD CONSULTANT :



Hannemanns Alle 53
DK-2300 København S
Tlf. +45 5161 1000
Fax +45 5161 1001
www.ramboll.dk

SUB-CONSULTANT:



Waste Concern Consultants
Level- 4, House No.- 120/B, (Masjid Road) Road- 7
New DOHS Mohakhali Dhaka- 1207, Bangladesh
Tlf. + 880-2-48810-841, + 880-2-48810-842
Fax. + 880-2- 9899-486, Email- office@wasteconcern.org
www.wasteconcern.org

CLIENT :



LAO PEOPLE'S DEMOCRATIC REPUBLIC (LAO PDR)
MINISTRY OF INFORMATION, CULTURE AND TOURISM

REV.	DATE	DESCRIPTION	DRN
R01	20.07.2020	PRELIMINARY ISSUE	

DESIGNED/DRAWN:

CHECKED:

APPROVED:

NAME OF PROJECT:

2ND GMS -TOURISM INFRASTRUCTURE FOR INCLUSIVE GROWTH
WORKS PACKAGE -TIIGP2-LAO-W04

Subproject V5: Vang Vieng Solid Waste Management Improvements

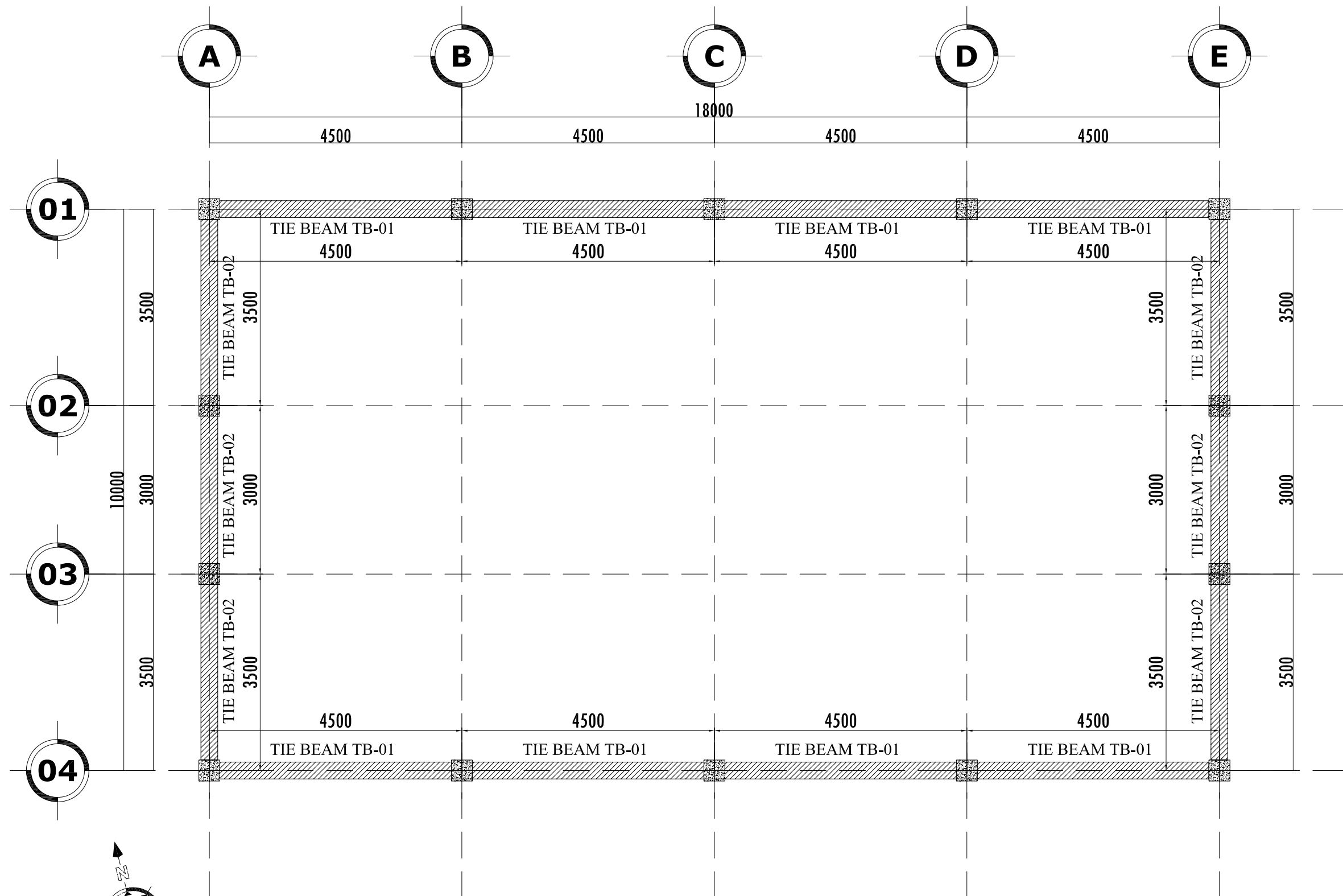
TITLE:
Typical Footing Section & Plan,
R.C.C Footing Schedule & Column Schedule

DRAWING NO.: RAM-LAO-DED-W04-ST-05-3

SHEET NO.: 00 OF 00 SHEET SIZE: A3

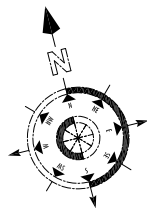
SCALE:

REV: R01 DATE: JULY 2020



Tie Beam Marking Lay-out Plan of Hazardous Waste Storage Building

Scale :- 1:100



LEAD CONSULTANT :



Hannemanns Alle 53
DK-2300 København S
Tlf. +45 5161 1000
Fax +45 5161 1001
www.ramboll.dk

SUB-CONSULTANT:



Waste Concern Consultants

Level- 4, House No.- 120/B, (Masjid Road) Road- 7
New DOHS Mohakhali Dhaka- 1207, Bangladesh
Tlf. + 880-2-48810-841, + 880-2-48810-842
Fax. + 880-2- 9899-486, Email- office@wasteconcern.org
www.wasteconcern.org

CLIENT :

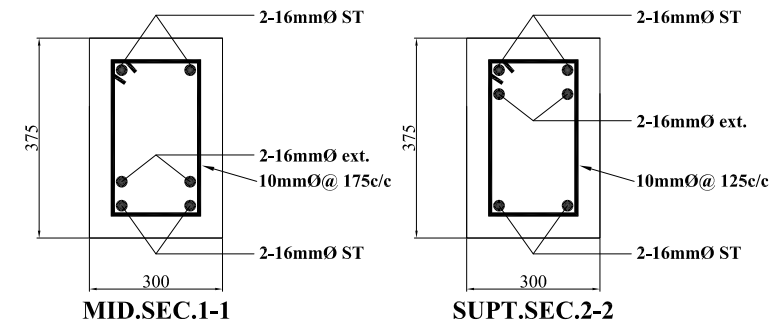
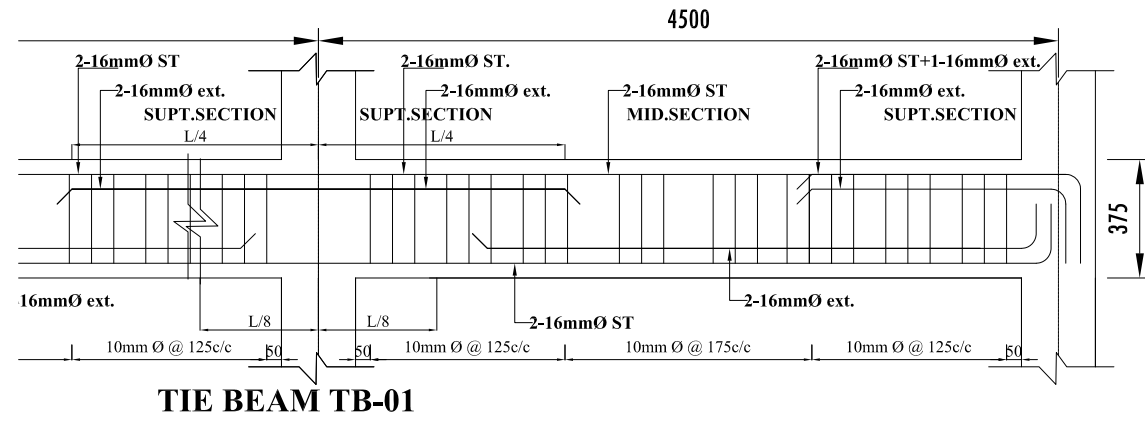
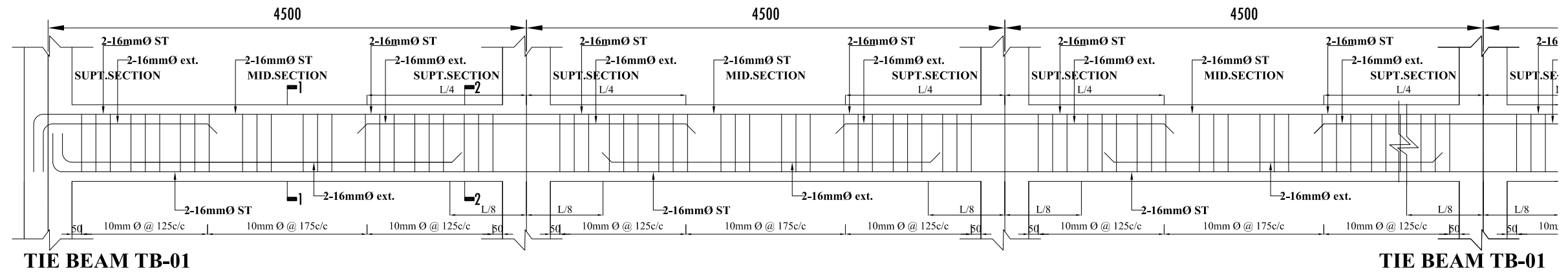


LAO PEOPLE'S DEMOCRATIC REPUBLIC (LAO PDR)
MINISTRY OF INFORMATION, CULTURE AND TOURISM

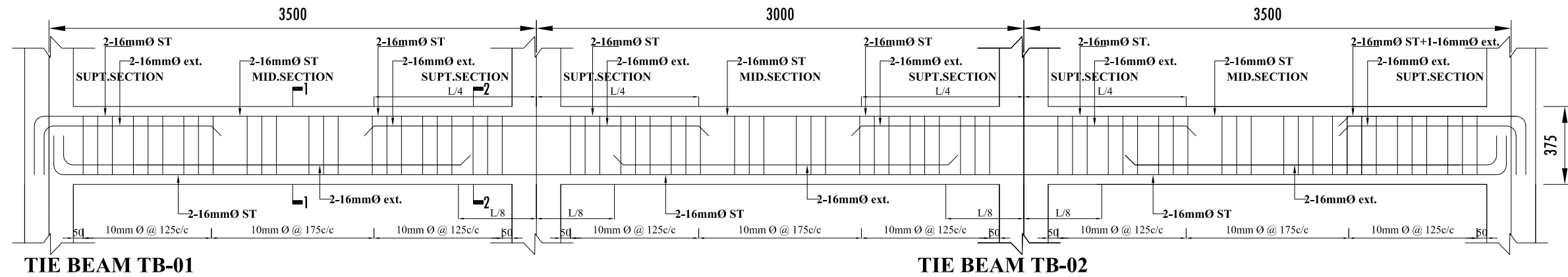
REV.	DATE	DESCRIPTION	DRN
R01	20.07.2020	PRELIMINARY ISSUE	

DESIGNED/DRAWN:	
CHECKED:	
APPROVED:	

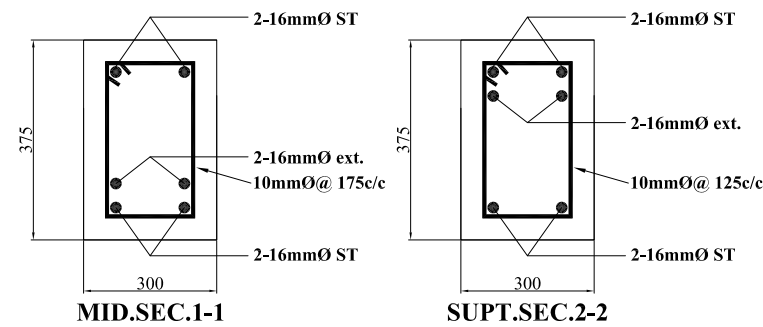
NAME OF PROJECT:		2ND GMS -TOURISM INFRASTRUCTURE FOR INCLUSIVE GROWTH	
		WORKS PACKAGE -TIIGP2-LAO-W04	
		Subproject V5: Vang Vieng Solid Waste Management Improvements	
TITLE:		TIE Beam Marking Lay-out Plan of Hazardous Waste Storage	SHEET NO.: 00 OF 00
			SHEET SIZE: A3
DRAWING NO.:		RAM-LAO-DED-W04-ST-05-4	REV: R01
			DATE: JULY 2020



TIE BEAM TB-01



TIE BEAM TB-02



TIE BEAM TB-02

LEAD CONSULTANT :



Hannemanns Alle 53
DK-2300 København S
Tlf. +45 5161 1000
Fax +45 5161 1001
www.ramboll.dk

SUB-CONSULTANT:



Waste Concern Consultants
Level- 4, House No.- 120/B, (Masjid Road) Road- 7
New DOHS Mohakhali Dhaka- 1207, Bangladesh
Tlf. + 880-2-48810-841, + 880-2-48810-842
Fax. + 880-2- 9899-486, Email- office@wasteconcern.org
www.wasteconcern.org

CLIENT :



LAO PEOPLE'S DEMOCRATIC REPUBLIC (LAO PDR)
MINISTRY OF INFORMATION, CULTURE AND TOURISM

REV.	DATE	DESCRIPTION	DRN
RO1	20.07.2020	PRELIMINARY ISSUE	

DESIGNED/DRAWN:

CHECKED:

APPROVED:

NAME OF PROJECT:
2ND GMS -TOURISM INFRASTRUCTURE FOR INCLUSIVE GROWTH
WORKS PACKAGE -TIIGP2-LAO-W04

Subproject V5: Vang Vieng Solid Waste Management Improvements

TITLE:
TIE BEAM CROSS & LONG SECTION

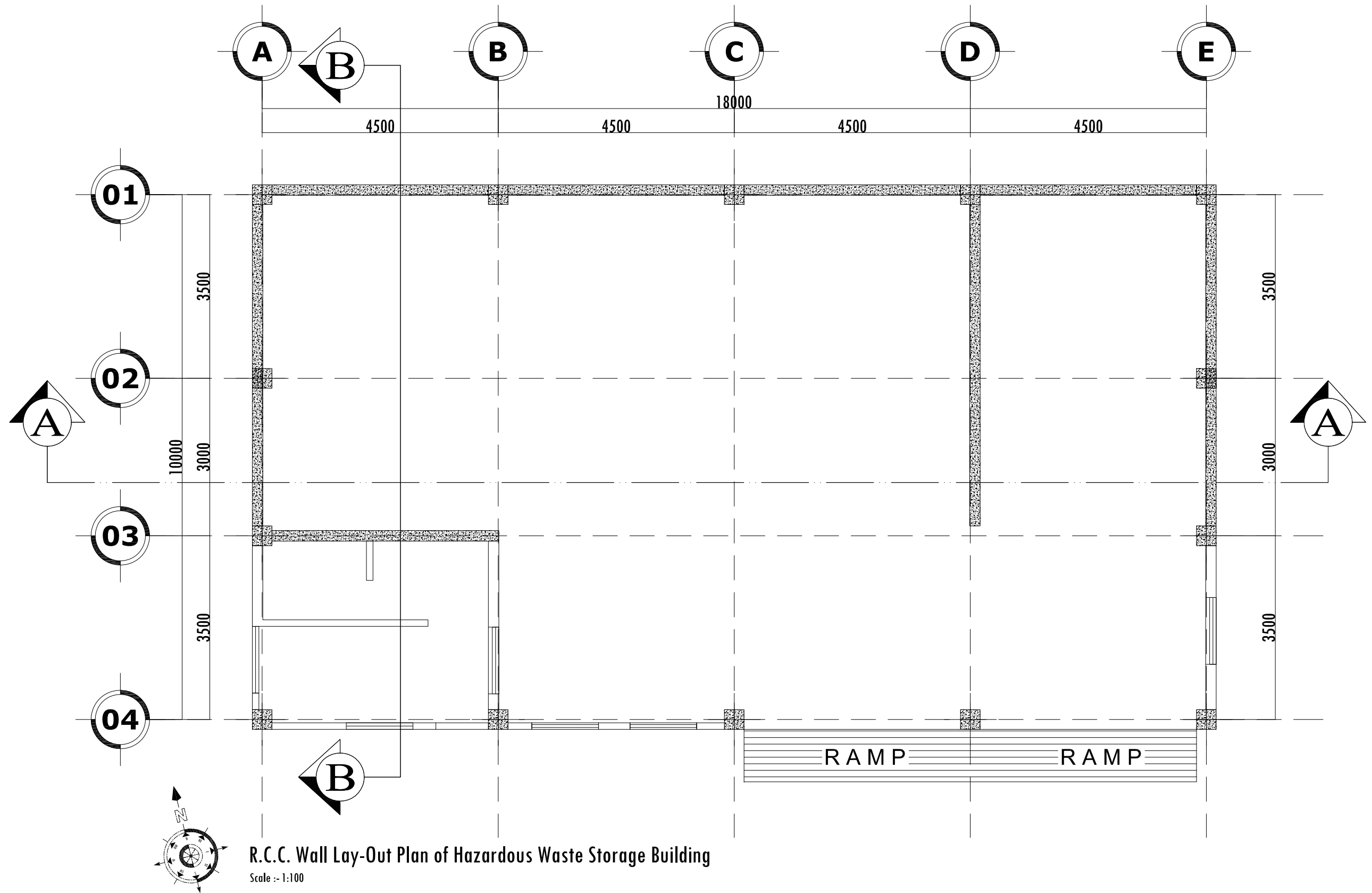
DRAWING NO.: RAM-LAO-DED-W04-ST-05-5

SHEET NO.: 00 OF 00

SHEET SIZE: A3

SCALE:

REV: R01 DATE: JULY 2020



R.C.C. Wall Lay-Out Plan of Hazardous Waste Storage Building
Scale :- 1:100

LEAD CONSULTANT :



Hannemanns Alle 53
DK-2300 København S
Tlf. +45 5161 1000
Fax +45 5161 1001
www.ramboll.dk

SUB-CONSULTANT:



Waste Concern Consultants
Level- 4, House No.- 120/B, (Masjid Road) Road- 7
New DOHS Mohakhali Dhaka- 1207, Bangladesh
Tlf. + 880-2-48810-841, + 880-2-48810-842
Fax. + 880-2- 9899-486, Email- office@wasteconcern.org
www.wasteconcern.org

CLIENT :



LAO PEOPLE'S DEMOCRATIC REPUBLIC (LAO PDR)
MINISTRY OF INFORMATION, CULTURE AND TOURISM

REV.	DATE	DESCRIPTION	DRN
RO1	20.07.2020	PRELIMINARY ISSUE	

DESIGNED/DRAWN: _____
CHECKED: _____
APPROVED: _____

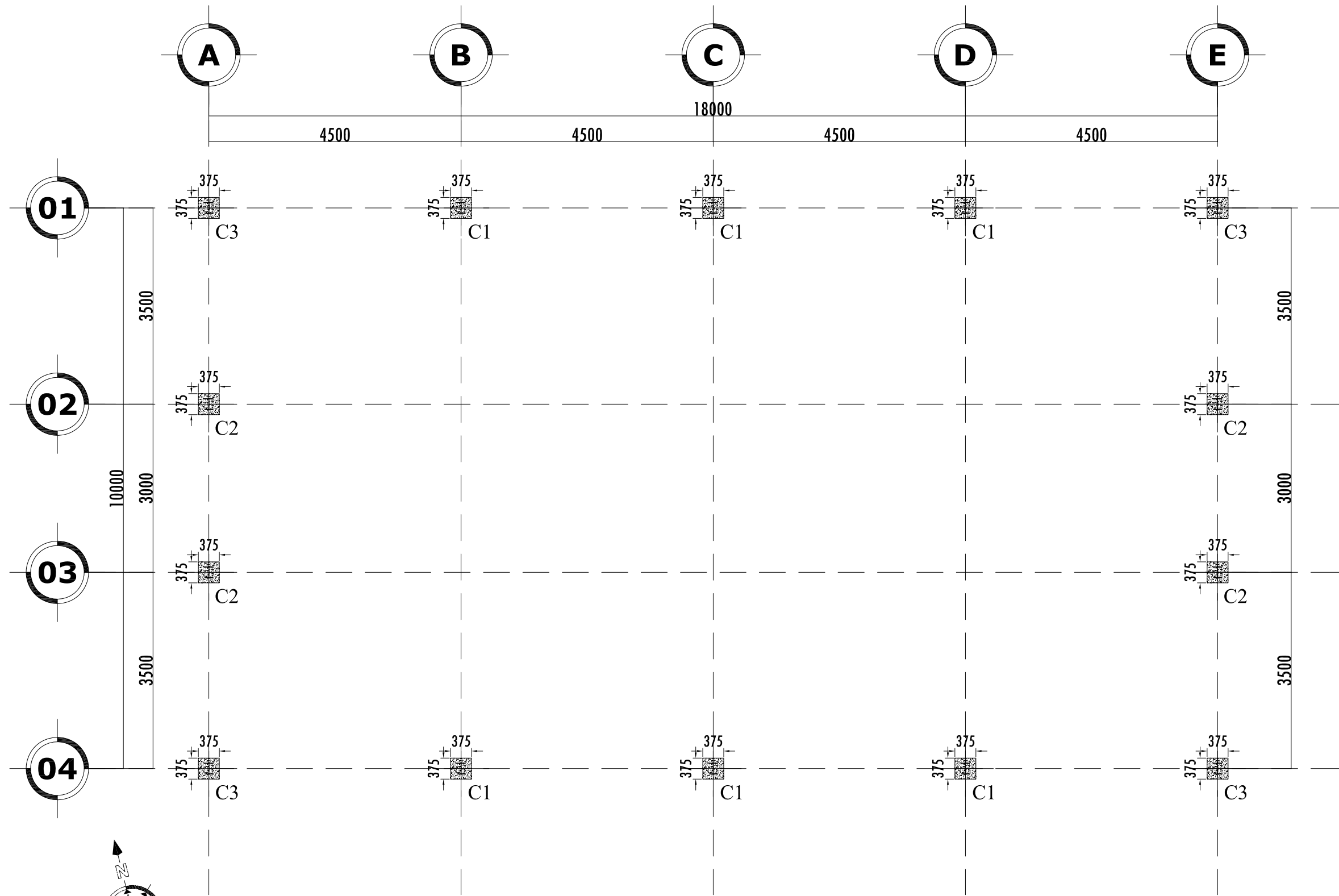
NAME OF PROJECT:
2ND GMS –TOURISM INFRASTRUCTURE FOR INCLUSIVE GROWTH
WORKS PACKAGE -TIIGP2-LAO-W04
Subproject V5: Vang Vieng Solid Waste Management Improvements

TITLE:
R.C.C. Wall Lay-Out Plan of Hazardous Waste Storage

DRAWING NO.: RAM-LAO-DED-W04-ST-05-6

SHEET NO.: 00 OF 00
SHEET SIZE: A3
SCALE: _____

REV: R01 DATE: JULY 2020



Anchor Bolt above 3.0 m. Level from PL
 Steel Column Lay-Out Plan of Hazardous Waste Storage Building
 Scale :- 1:100

LEAD CONSULTANT :



Hannemanns Alle 53
 DK-2300 København S
 Tlf. +45 5161 1000
 Fax +45 5161 1001
 www.ramboll.dk

SUB-CONSULTANT:



Waste Concern Consultants
 Level- 4, House No.- 120/B, (Masjid Road) Road- 7
 New DOHS Mohakhali Dhaka- 1207, Bangladesh
 Tlf. + 880-2-48810-841, + 880-2-48810-842
 Fax. + 880-2- 9899-486, Email- office@wasteconcern.org
 www.wasteconcern.org

CLIENT :

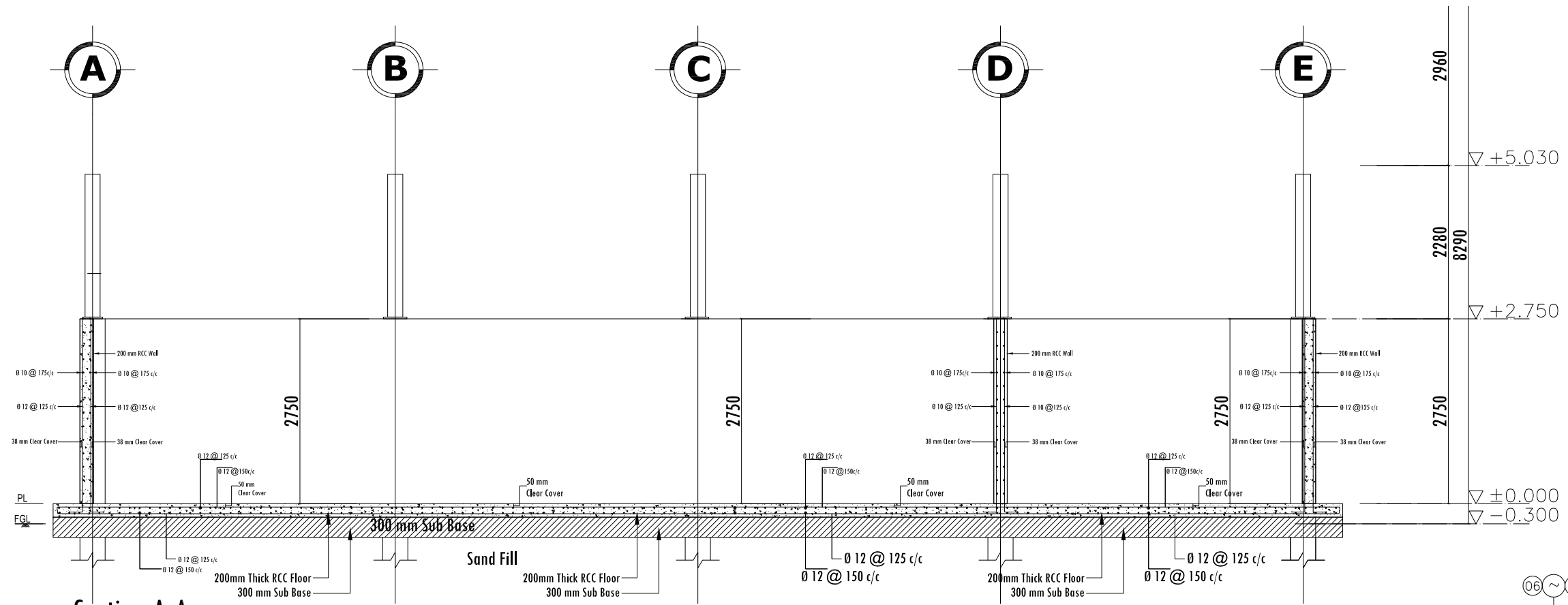


LAO PEOPLE'S DEMOCRATIC REPUBLIC (LAO PDR)
 MINISTRY OF INFORMATION, CULTURE AND TOURISM

REV.	DATE	DESCRIPTION	DRN
R01	20.07.2020	PRELIMINARY ISSUE	

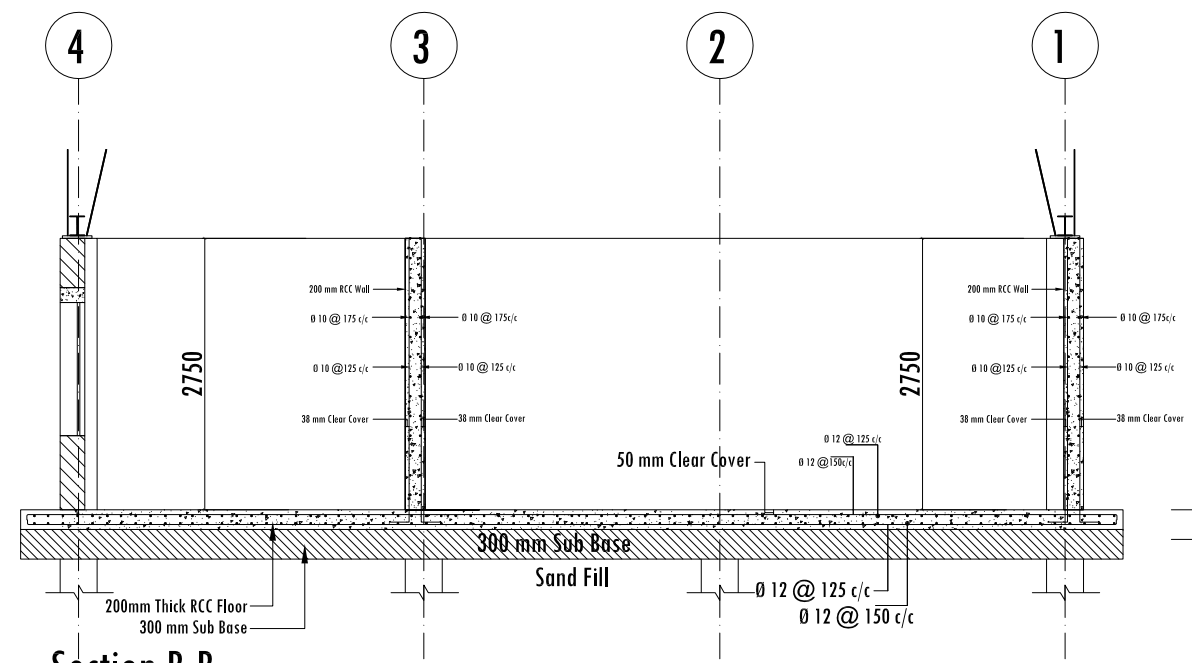
DESIGNED/DRAWN: /...
 CHECKED: /...
 APPROVED: /...

NAME OF PROJECT: 2ND GMS -TOURISM INFRASTRUCTURE FOR INCLUSIVE GROWTH WORKS PACKAGE -TIIG2-LAO-W04 Subproject V5: Vang Vieng Solid Waste Management Improvements		SHEET NO.: 00 OF 00	SHEET SIZE: A3
TITLE: Anchor Bolt above 3.0 m. Level from PL Steel Column Lay-Out Plan of Hazardous Waste Storage		SCALE:	
DRAWING NO.: RAM-LAO-DED-W04-ST-05-7		REV: R01	DATE: JULY 2020

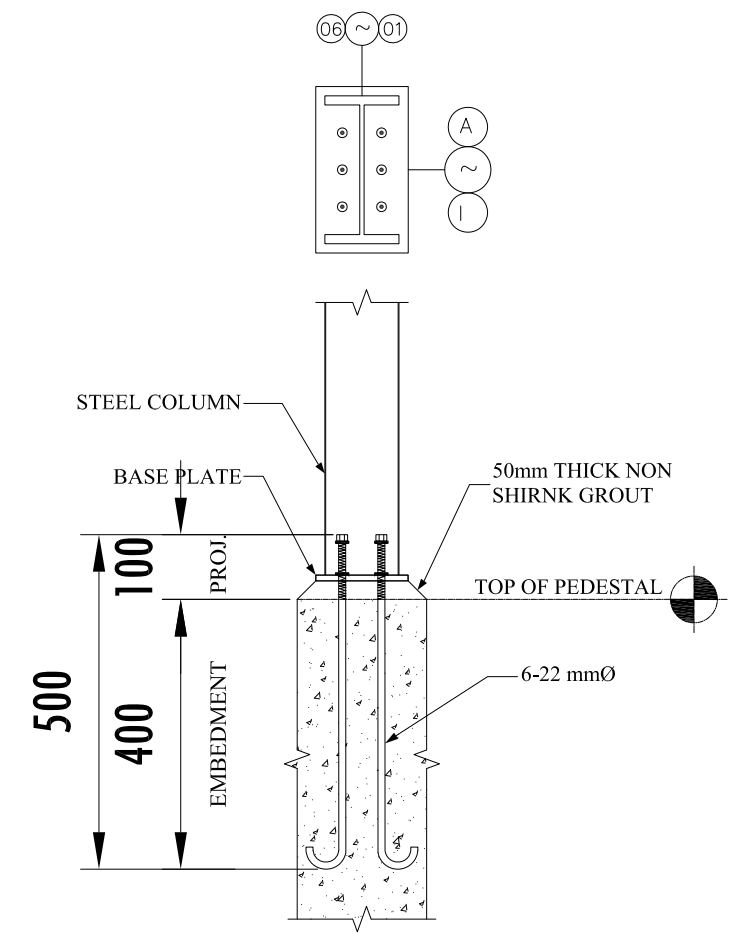


Section A-A
Scale :- 1:80

Providing compacted sub-base course with well graded material of crushed well burnt picked brick bats and sand (FM =1.2) with mixing proportion 1:1 having reqd. thickness of compaction of 95% to 100% of MDD made as per specification including local handling, spreading uniformly and compaction properly.

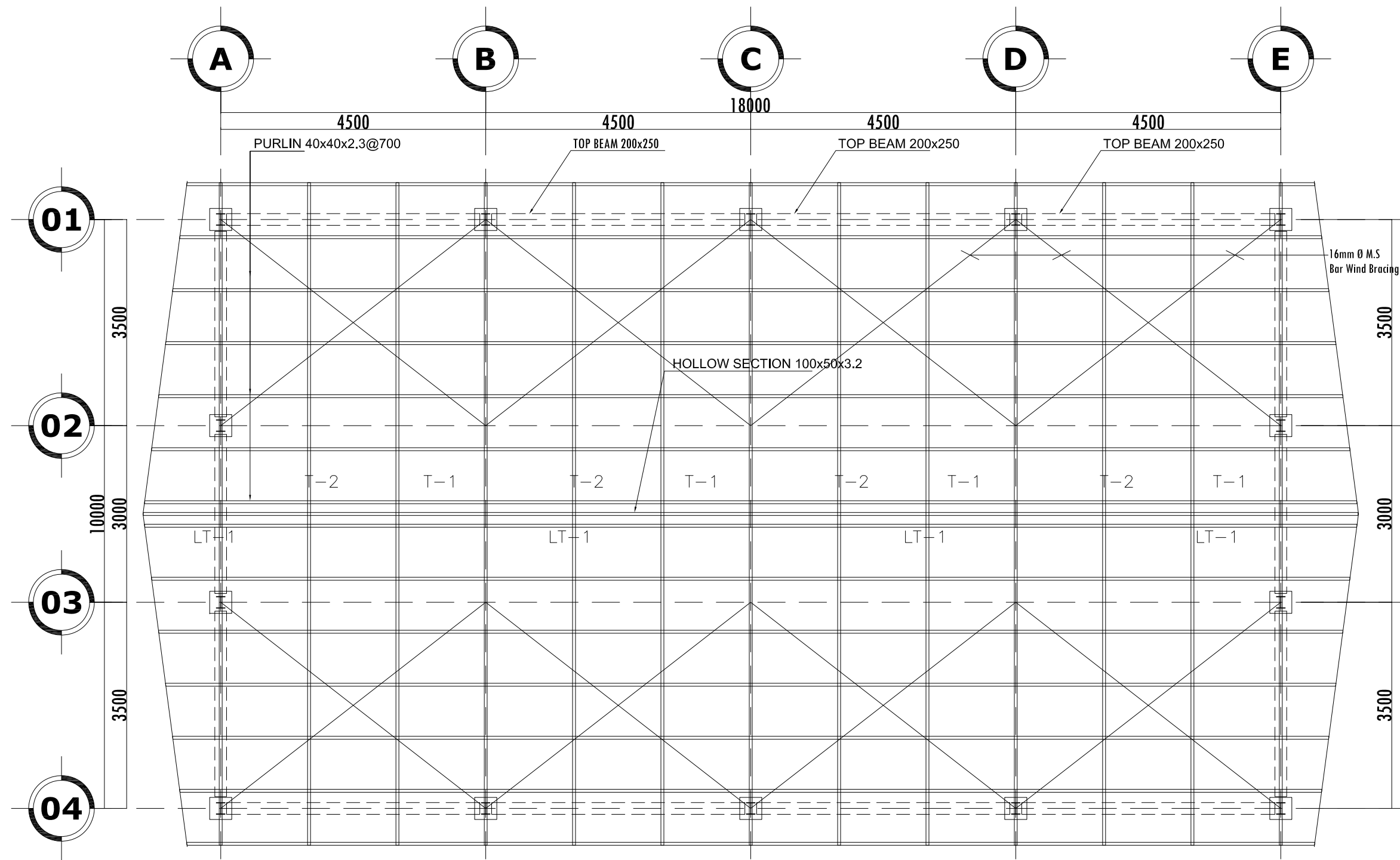


Section B-B
Scale :- 1:80



Details of Anchor Bolt

LEAD CONSULTANT : Hannemanns Alle 53 DK-2300 København S Tlf. +45 5161 1000 Fax +45 5161 1001 www.ramboll.dk	SUB-CONSULTANT: Waste Concern Consultants Level- 4, House No.- 120/B, (Masjid Road) Road- 7 New DOHS Mohakhali Dhaka- 1207, Bangladesh Tlf. + 880-2-48810-841, + 880-2-48810-842 Fax. + 880-2- 9899-486, Email- office@wasteconcern.org www.wasteconcern.org	CLIENT : LAO PEOPLE'S DEMOCRATIC REPUBLIC (LAO PDR) MINISTRY OF INFORMATION, CULTURE AND TOURISM	DESIGNED/DRAWN:	NAME OF PROJECT:		
			CHECKED:	2ND GMS –TOURISM INFRASTRUCTURE FOR INCLUSIVE GROWTH WORKS PACKAGE -TIIGP2-LAO-W04 Subproject V5: Vang Vieng Solid Waste Management Improvements		
REV. DATE DESCRIPTION DRN			APPROVED:	TITLE:	SHEET NO. OF 00	SHEET SIZE: A3
				SECTION: A-A & B-B, DETAILS of ANCHOR BOLT	SCALE:	
				DRAWING NO.: RAM-LAO-DED-W04-ST-05-8	REV: R01	DATE: JULY 2020



Plan of Hazardous Waste Storage

3 ROOF FRAMING PLAN
ST-14 SCALE 1:80

LEAD CONSULTANT :



Hannemanns Alle 53
DK-2300 København S
Tlf. +45 5161 1000
Fax +45 5161 1001
www.ramboll.dk

SUB-CONSULTANT:



Waste Concern Consultants
Level- 4, House No.- 120/B, (Masjid Road) Road- 7
New DOHS Mohakhali Dhaka- 1207, Bangladesh
Tlf. + 880-2-48810-841, + 880-2-48810-842
Fax. + 880-2- 9899-486, Email- office@wasteconcern.org
www.wasteconcern.org

CLIENT :



LAO PEOPLE'S DEMOCRATIC REPUBLIC (LAO PDR)
MINISTRY OF INFORMATION, CULTURE AND TOURISM

REV.	DATE	DESCRIPTION	DRN
R01	20.07.2020	PRELIMINARY ISSUE	

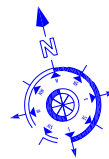
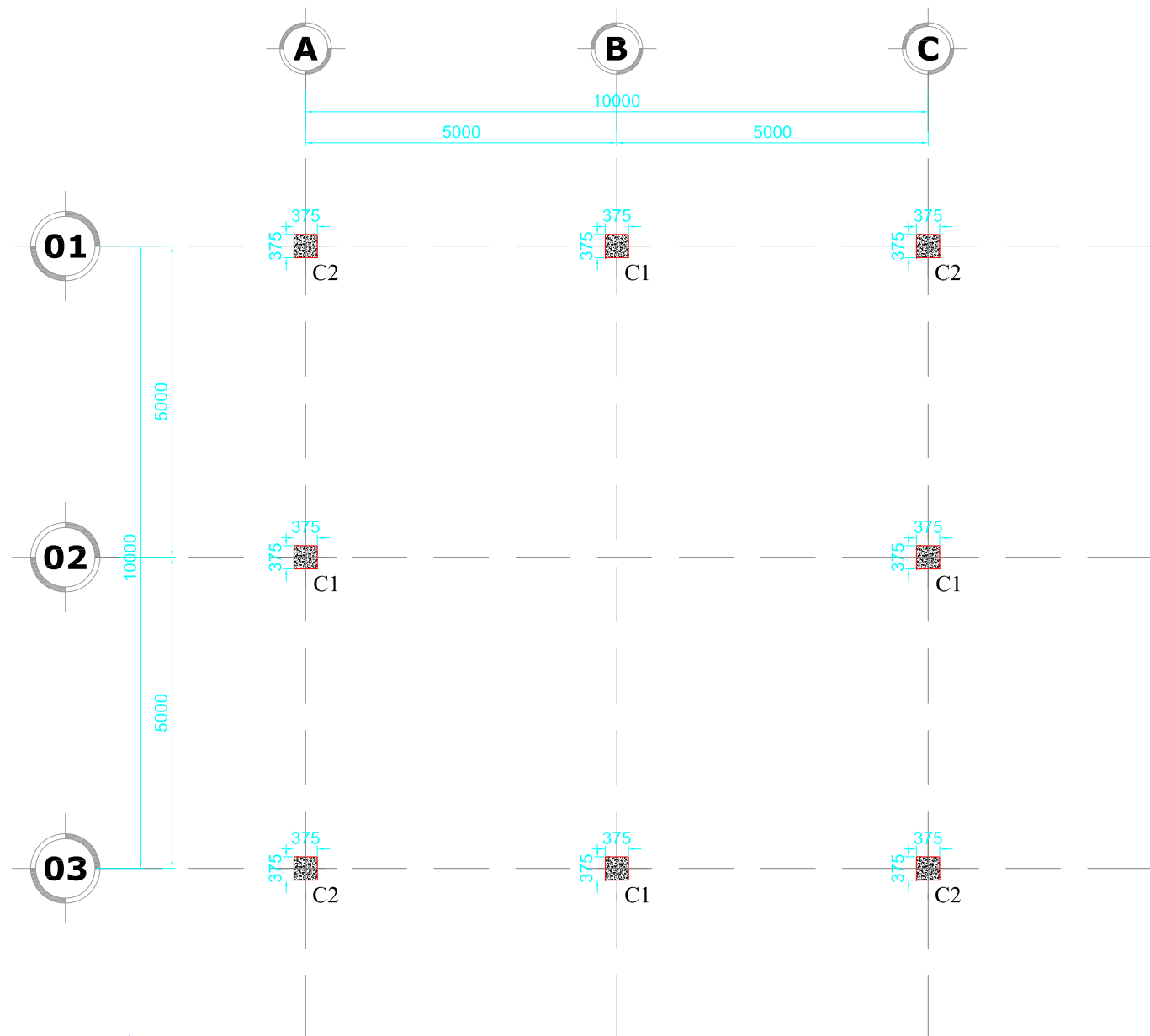
DESIGNED/DRAWN: /
CHECKED: /
APPROVED: /

NAME OF PROJECT:
**2ND GMS -TOURISM INFRASTRUCTURE FOR INCLUSIVE GROWTH
WORKS PACKAGE -TIIGP2-LAO-W04
Subproject V5: Vang Vieng Solid Waste Management Improvements**

TITLE:
Roof Framing Plan

DRAWING NO.: RAM-LAO-DED-W04-ST-05-9

SHEET NO.: 00 OF 00	SHEET SIZE: A3
SCALE:	
REV: R01	DATE: JULY 2020



Column Marking Lay-out Plan of Incinerator Room


Scale :- 1:100

LEAD CONSULTANT :

 Hannemanns Alle 53
 DK-2300 København S
 Tlf. +45 5161 1000
 Fax +45 5161 1001
 www.ramboll.dk

SUB-CONSULTANT:

Waste Concern Consultants
 Level- 4, House No.- 120/B, (Masjid Road) Road- 7
 New DOHS Mohakhali Dhaka- 1207, Bangladesh
 Tlf. + 880-2-48810-841, + 880-2-48810-842
 Fax. + 880-2- 9899-486, Email- office@wasteconcern.org
 www.wasteconcern.org

CLIENT :

LAO PEOPLE'S DEMOCRATIC REPUBLIC (LAO PDR)
MINISTRY OF INFORMATION, CULTURE AND TOURISM

REV.	DATE	DESCRIPTION	DRN
R01	20.07.2020	PRELIMINARY ISSUE	

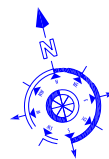
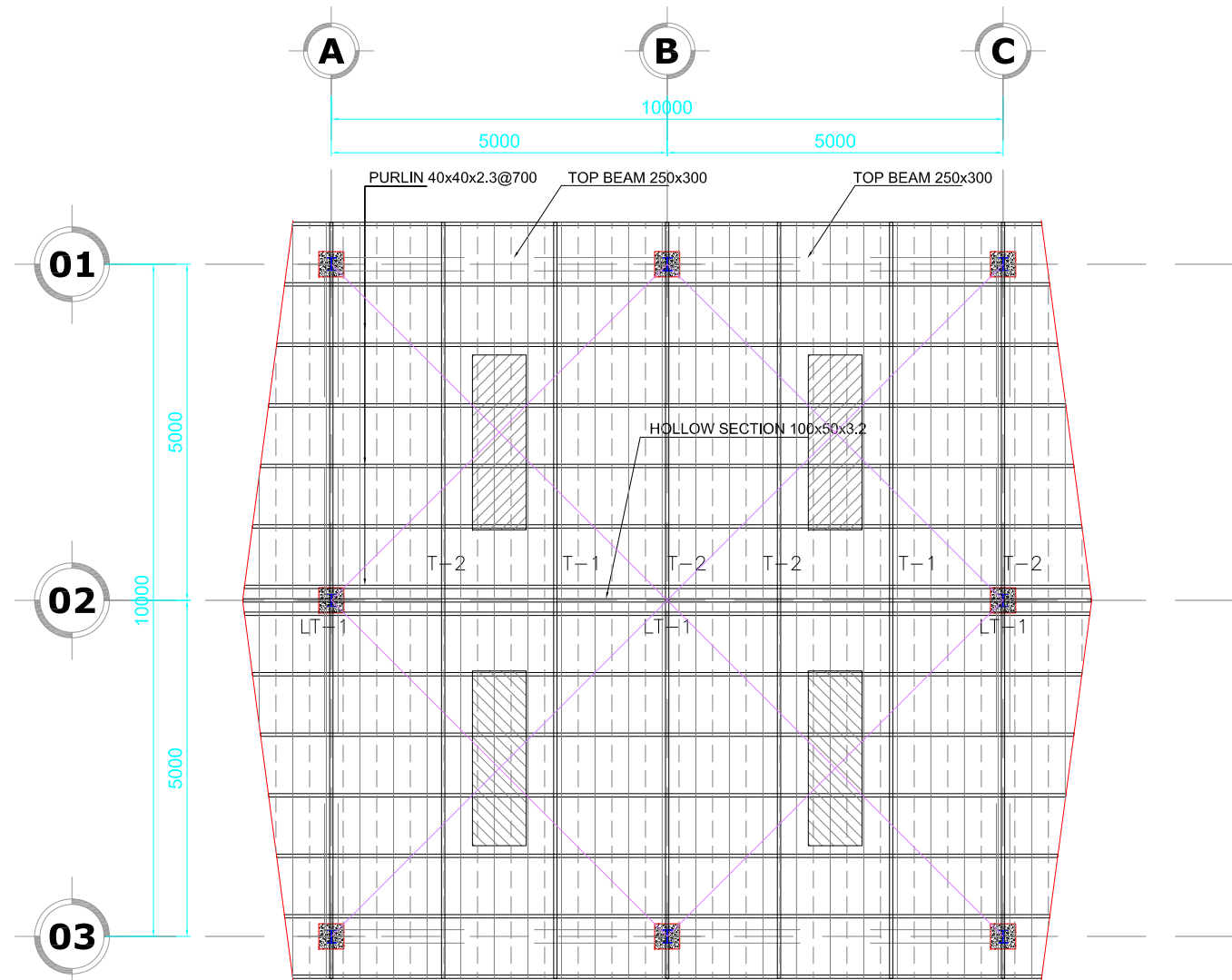
DESIGNED/DRAWN: /...
 CHECKED: /...
 APPROVED: /...

NAME OF PROJECT:
2ND GMS –TOURISM INFRASTRUCTURE FOR INCLUSIVE GROWTH
WORKS PACKAGE -TIIGP2-LAO-W04
Subproject V5: Vang Vieng Solid Waste Management Improvements

TITLE:
COLUMN MARKING LAY-OUT PLAN OF INCINERATOR ROOM

DRAWING NO.: RAM-LAO-DED-W04-ST-06-1

SHEET NO.: 00 OF 00
 SHEET SIZE: A3
 SCALE:
 REV: R01 DATE: JULY 2020



3 ROOF PLAN
ST-14 SCALE 1:100

LEAD CONSULTANT :



Hannemanns Alle 53
DK-2300 København S
Tlf. +45 5161 1000
Fax +45 5161 1001
www.ramboll.dk

SUB-CONSULTANT:



Waste Concern Consultants
Level- 4, House No.- 120/B, (Masjid Road) Road- 7
New DOHS Mohakhali Dhaka- 1207, Bangladesh
Tlf. + 880-2-48810-841, + 880-2-48810-842
Fax. + 880-2- 9899-486, Email- office@wasteconcern.org
www.wasteconcern.org

CLIENT :

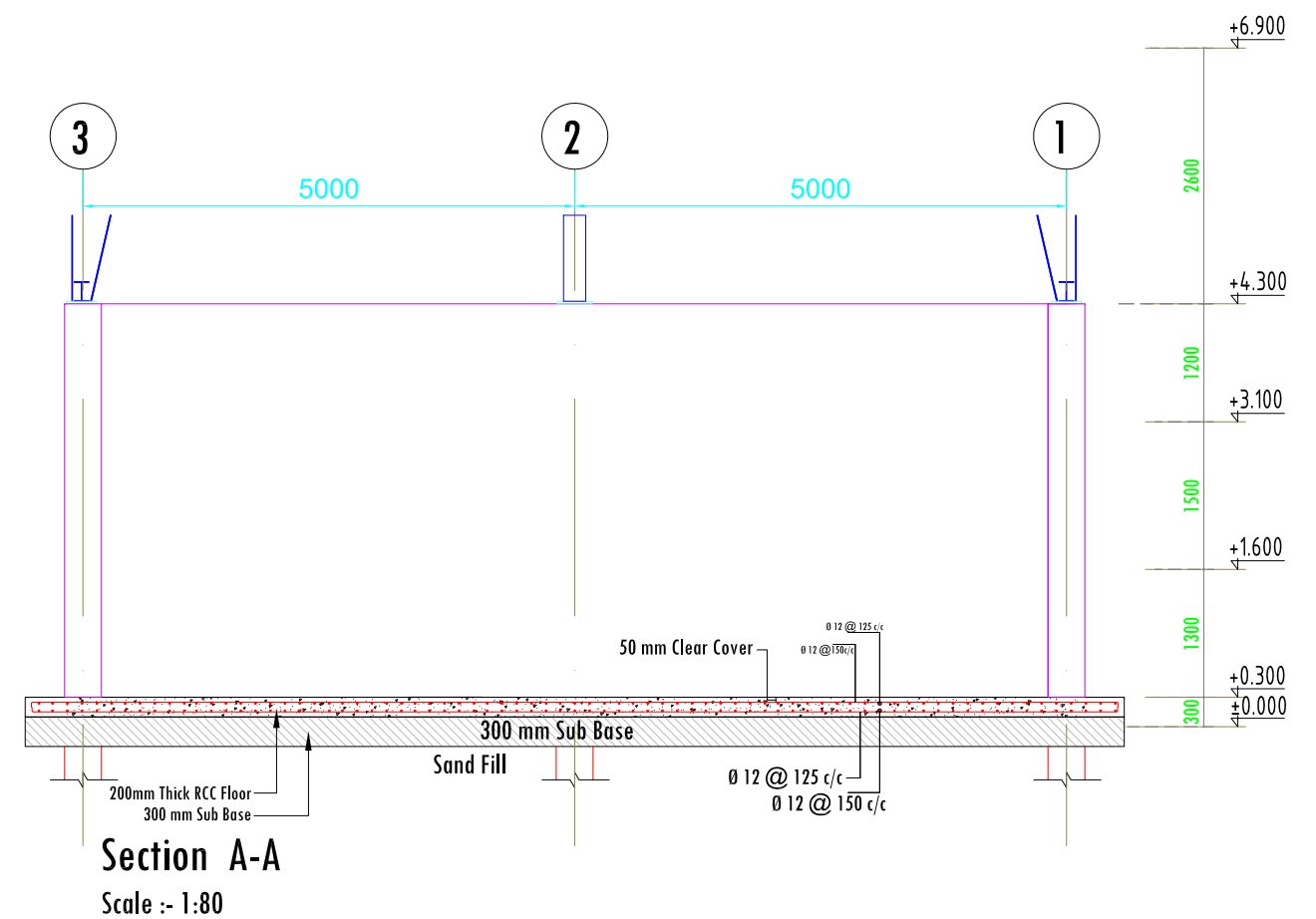
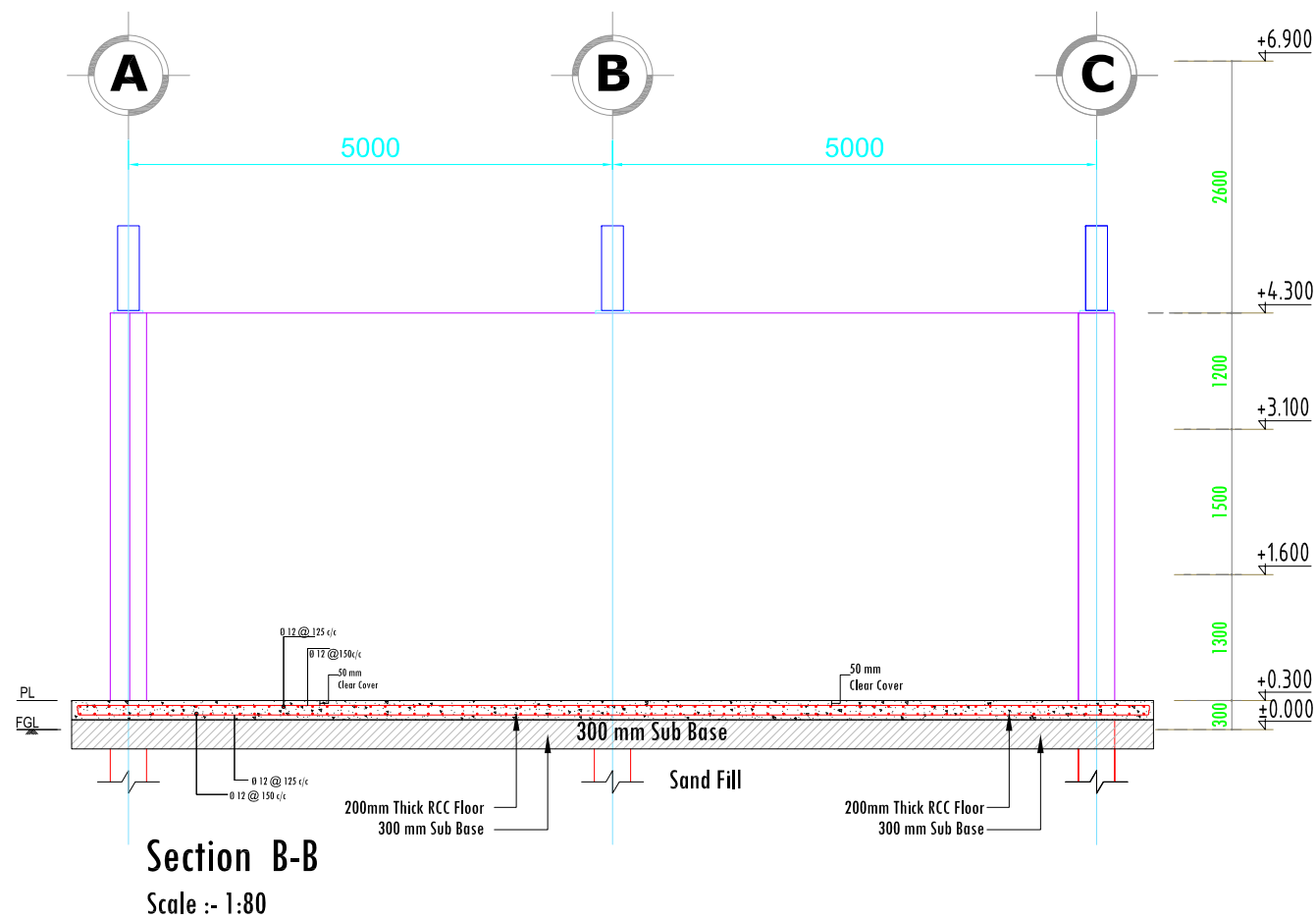


LAO PEOPLE'S DEMOCRATIC REPUBLIC (LAO PDR)
MINISTRY OF INFORMATION, CULTURE AND TOURISM

REV.	DATE	DESCRIPTION	DRN
RO1	20.07.2020	PRELIMINARY ISSUE	

DESIGNED/DRAWN:
CHECKED:
APPROVED:

NAME OF PROJECT: 2ND GMS -TOURISM INFRASTRUCTURE FOR INCLUSIVE GROWTH WORKS PACKAGE -TIIGP2-LAO-W04 Subproject V5: Vang Vieng Solid Waste Management Improvements		SHEET NO.:	SHEET SIZE:
TITLE: ROOF TOP LAY-OUT PLAN OF INCINERATOR ROOM		00 OF 00	A3
DRAWING NO.: RAM-LAO-DED-W04-ST-06-10		SCALE:	REV: R01 DATE: JULY 2020



Providing compacted sub-base course with well graded material of crushed well burnt picked brick bats and sand (FM =1.2) with mixing proportion 1:1 having reqd. thickness of compaction of 95% to 100% of MDD made as per specification including local handling, spreading uniformly and compaction properly.

LEAD CONSULTANT :



Hannemanns Alle 53
DK-2300 København S
Tlf. +45 5161 1000
Fax +45 5161 1001
www.ramboll.dk

SUB-CONSULTANT:



Waste Concern Consultants
Level- 4, House No.- 120/B, (Masjid Road) Road- 7
New DOHS Mohakhali Dhaka- 1207, Bangladesh
Tlf. + 880-2-48810-841, + 880-2-48810-842
Fax. + 880-2- 9899-486, Email- office@wasteconcern.org
www.wasteconcern.org

CLIENT :

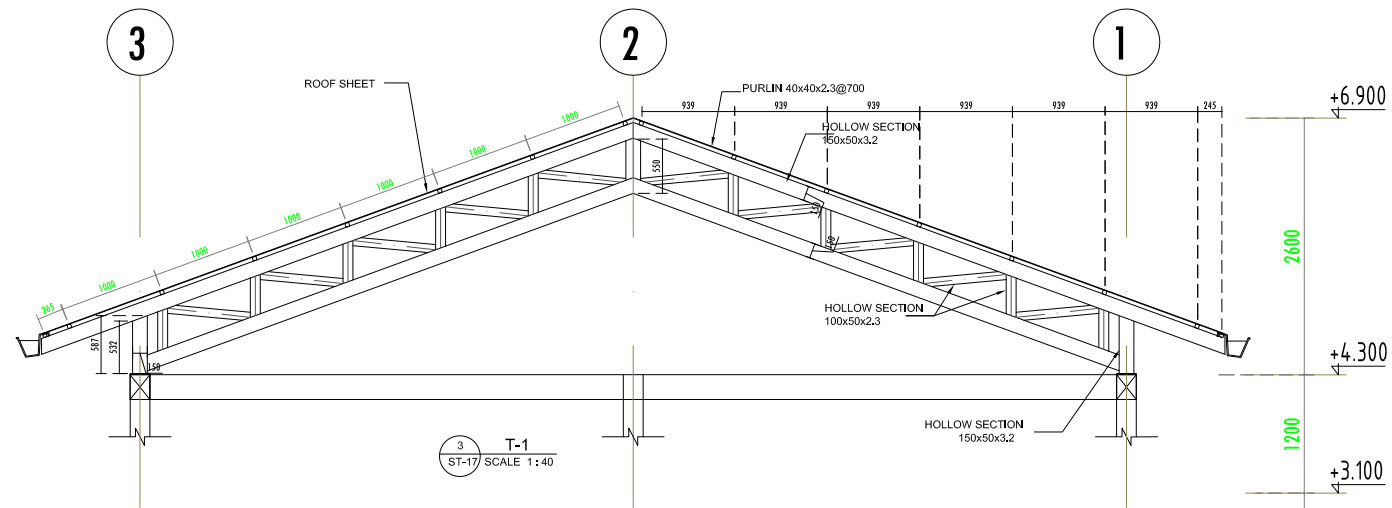


LAO PEOPLE'S DEMOCRATIC REPUBLIC (LAO PDR)
MINISTRY OF INFORMATION, CULTURE AND TOURISM

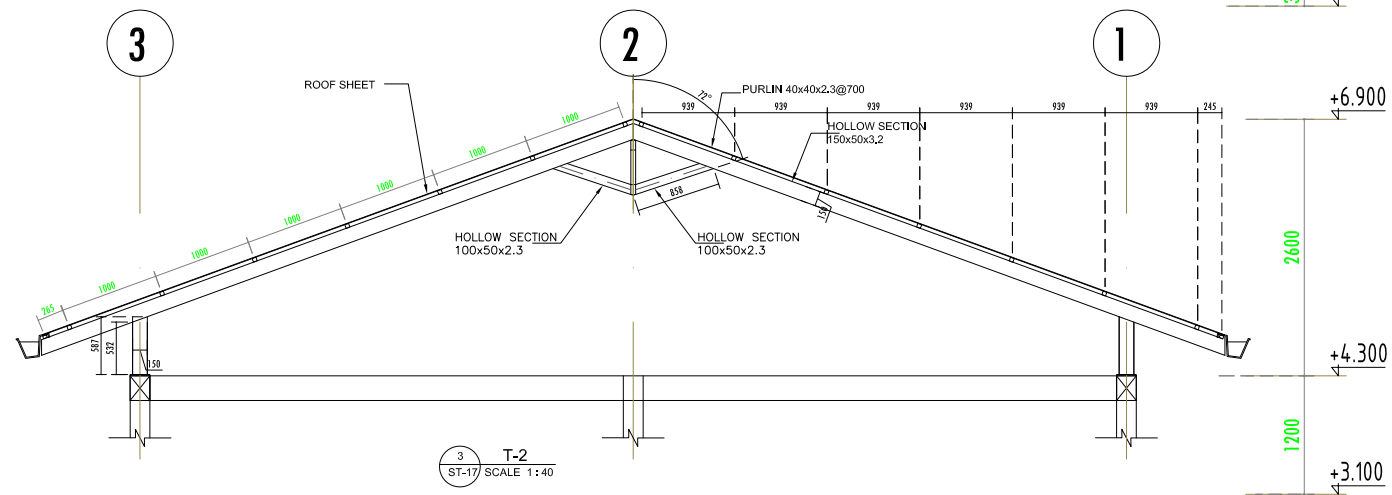
REV.	DATE	DESCRIPTION	DRN
R01	20.07.2020	PRELIMINARY ISSUE	

DESIGNED/DRAWN:
CHECKED:
APPROVED:

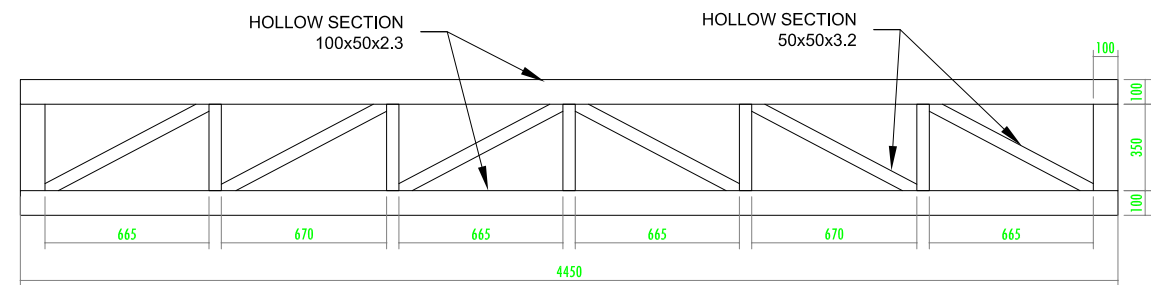
NAME OF PROJECT: 2ND GMS –TOURISM INFRASTRUCTURE FOR INCLUSIVE GROWTH WORKS PACKAGE -TIIGP2-LAO-W04 Subproject V5: Vang Vieng Solid Waste Management Improvements		SHEET NO.:	SHEET SIZE:
TITLE: CROSS SECTION: A-A & B-B		00 OF 00	A3
DRAWING NO.:		REV:	DATE:
RAM-LAO-DED-W04-ST-06-11		R01	JULY 2020



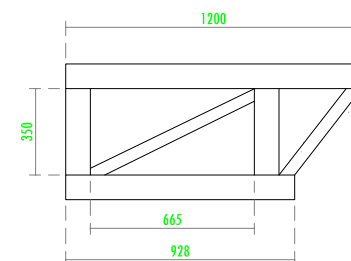
3 T-1
ST-17 SCALE 1:40



3 T-2
ST-17 SCALE 1:40



3 LT-1
ST-17 SCALE 1:40



3 LT-2
ST-17 SCALE 1:40

LEAD CONSULTANT :



Hannemanns Alle 53
DK-2300 København S
Tlf. +45 5161 1000
Fax +45 5161 1001
www.ramboll.dk

SUB-CONSULTANT:



Waste Concern Consultants
Level- 4, House No.- 120/B, (Masjid Road) Road- 7
New DOHS Mohakhali Dhaka- 1207, Bangladesh
Tlf. + 880-2-48810-841, + 880-2-48810-842
Fax. + 880-2- 9899-486, Email- office@wasteconcern.org
www.wasteconcern.org

CLIENT :



LAO PEOPLE'S DEMOCRATIC REPUBLIC (LAO PDR)
MINISTRY OF INFORMATION, CULTURE AND TOURISM

REV.	DATE	DESCRIPTION	DRN
R01	20.07.2020	PRELIMINARY ISSUE	

DESIGNED/DRAWN: /
CHECKED: /
APPROVED: /

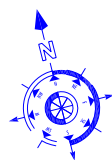
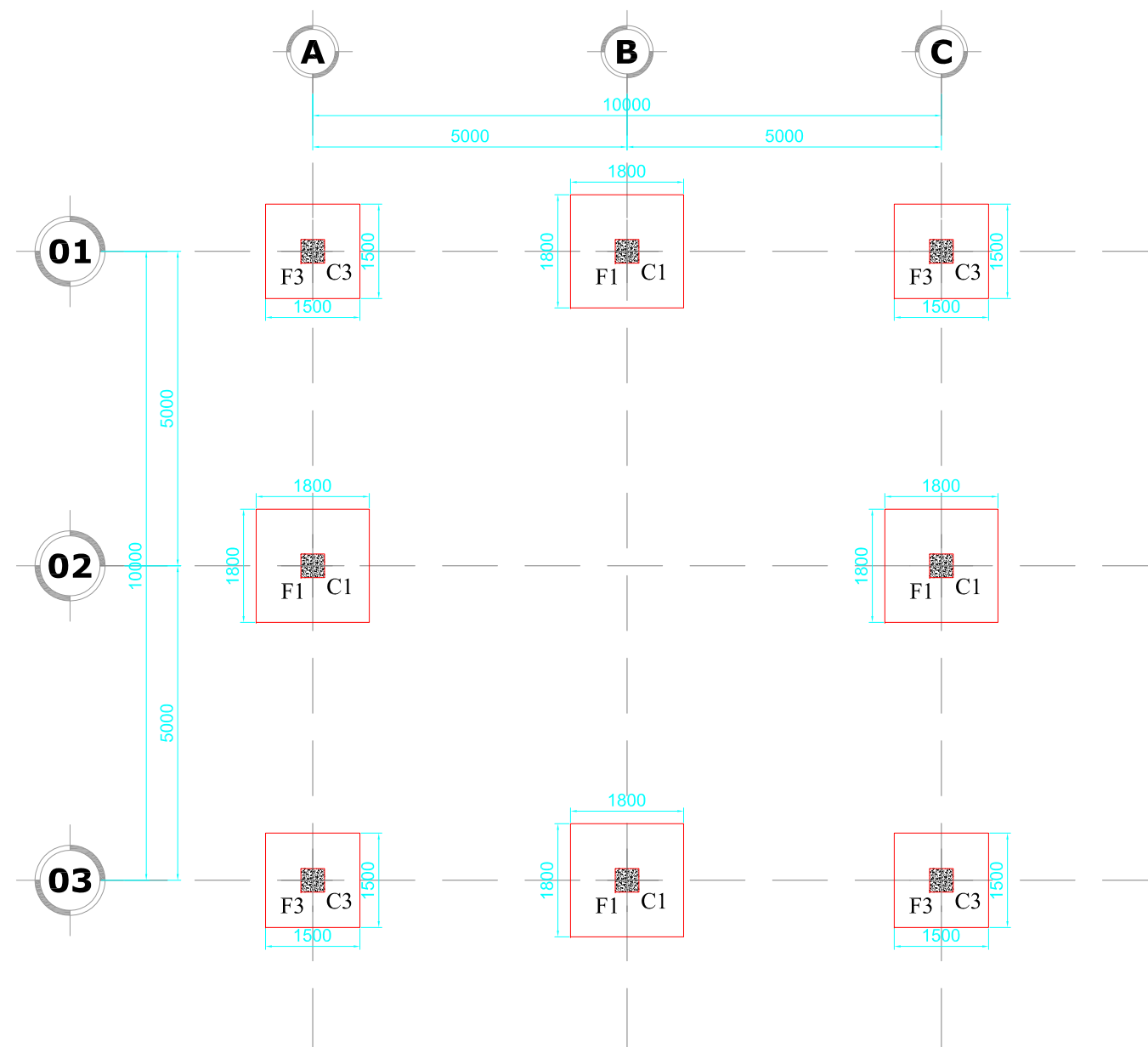
NAME OF PROJECT:
2ND GMS -TOURISM INFRASTRUCTURE FOR INCLUSIVE GROWTH
WORKS PACKAGE -TIIGP2-LAO-W04
Subproject V5: Vang Vieng Solid Waste Management Improvements

TITLE:
FRAME CROSS SECTION

DRAWING NO.: RAM-LAO-DED-W04-ST-06-12

SHEET NO.: 00 OF 00
SHEET SIZE: A3
SCALE: /

REV: R01
DATE: JULY 2020



Footings Marking Lay-out Plan of Incinerator Room

Scale :- 1:100

LEAD CONSULTANT :



Hannemanns Alle 53
DK-2300 København S
Tlf. +45 5161 1000
Fax +45 5161 1001
www.ramboll.dk

SUB-CONSULTANT:



Waste Concern Consultants
Level- 4, House No.- 120/B, (Masjid Road) Road- 7
New DOHS Mohakhali Dhaka- 1207, Bangladesh
Tlf. + 880-2-48810-841, + 880-2-48810-842
Fax. + 880-2- 9899-486, Email- office@wasteconcern.org
www.wasteconcern.org

CLIENT :



LAO PEOPLE'S DEMOCRATIC REPUBLIC (LAO PDR)
MINISTRY OF INFORMATION, CULTURE AND TOURISM

REV.	DATE	DESCRIPTION	DRN
R01	20.07.2020	PRELIMINARY ISSUE	

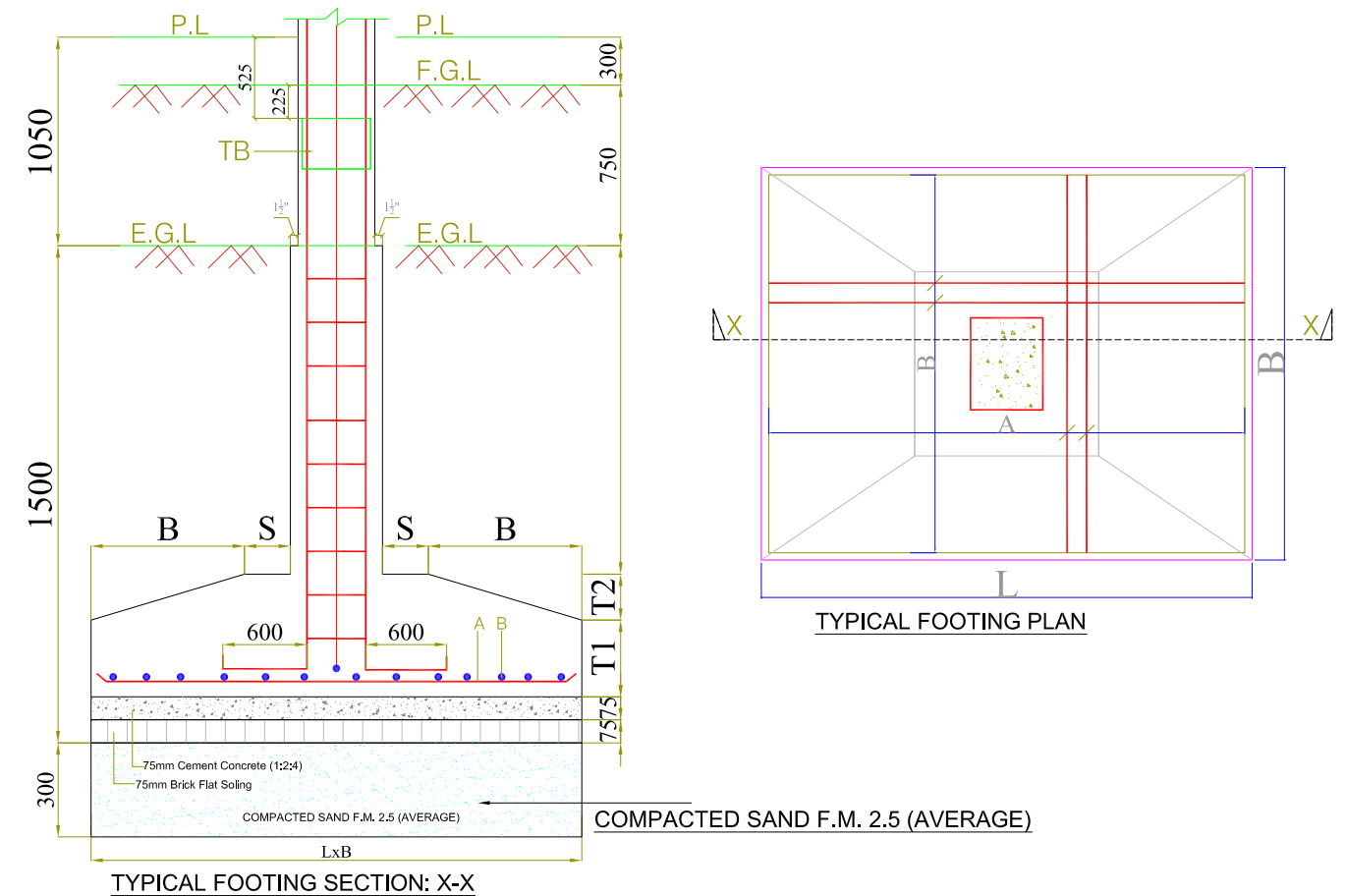
DESIGNED/DRAWN:
CHECKED:
APPROVED:

NAME OF PROJECT:		2ND GMS -TOURISM INFRASTRUCTURE FOR INCLUSIVE GROWTH	
		WORKS PACKAGE -TIIGP2-LAO-W04	
TITLE:		Subproject V5: Vang Vieng Solid Waste Management Improvements	
DRAWING NO.:		RAM-LAO-DED-W04-ST-06-2	
SHEET NO.:	00	OF	00
SHEET SIZE:	A3		
SCALE:			
REV:	R01	DATE:	JULY 2020

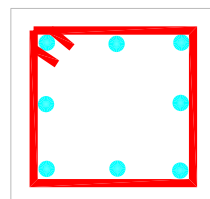
R.C.C COLUMN SCHEDULE

SCALE 1 : 30

NAME OF COL.	BELOW GROUND FLOOR		GROUND FLOOR		STIRRUPS AT ALL FLOORS
	SIZE	VER. BAR	SIZE	VER. BAR	
C1	450X450	8-16mmØ	375X375	8-16mmØ	10 mm Ø @ 100 to 200c/c ¼th of clear ht. @ 100c/c & ½th of mid ht. @ 200c/c
C2	450X450	8-16mmØ	375X375	8-16mmØ	



Arrangement of vertical bar & ties



8 NOS

R.C.C. FOOTING SCHEDULE

SCALE 1 : 30

NAME OF FOOTING	SIZE LxB	T1	T2	S	B	A x B
F1	1800 x 1800	275	120	250	425	16 mm Ø @ 125C/C bothways
F2	1500 x 1500	250	100	200	325	12 mm Ø @ 110 C/C bothways

LEAD CONSULTANT :



Hannemanns Alle 53
DK-2300 København S
Tlf. +45 5161 1000
Fax +45 5161 1001
www.ramboll.dk

SUB-CONSULTANT:



Waste Concern Consultants
Level- 4, House No.- 120/B, (Masjid Road) Road- 7
New DOHS Mohakhali Dhaka- 1207, Bangladesh
Tlf. + 880-2-48810-841, + 880-2-48810-842
Fax. + 880-2- 9899-486, Email- office@wasteconcern.org
www.wasteconcern.org

CLIENT :



LAO PEOPLE'S DEMOCRATIC REPUBLIC (LAO PDR)
MINISTRY OF INFORMATION, CULTURE AND TOURISM

REV.	DATE	DESCRIPTION	DRN
R01	20.07.2020	PRELIMINARY ISSUE	

DESIGNED/DRAWN:

CHECKED:

APPROVED:

NAME OF PROJECT:
2ND GMS -TOURISM INFRASTRUCTURE FOR INCLUSIVE GROWTH
WORKS PACKAGE -TIIGP2-LAO-W04

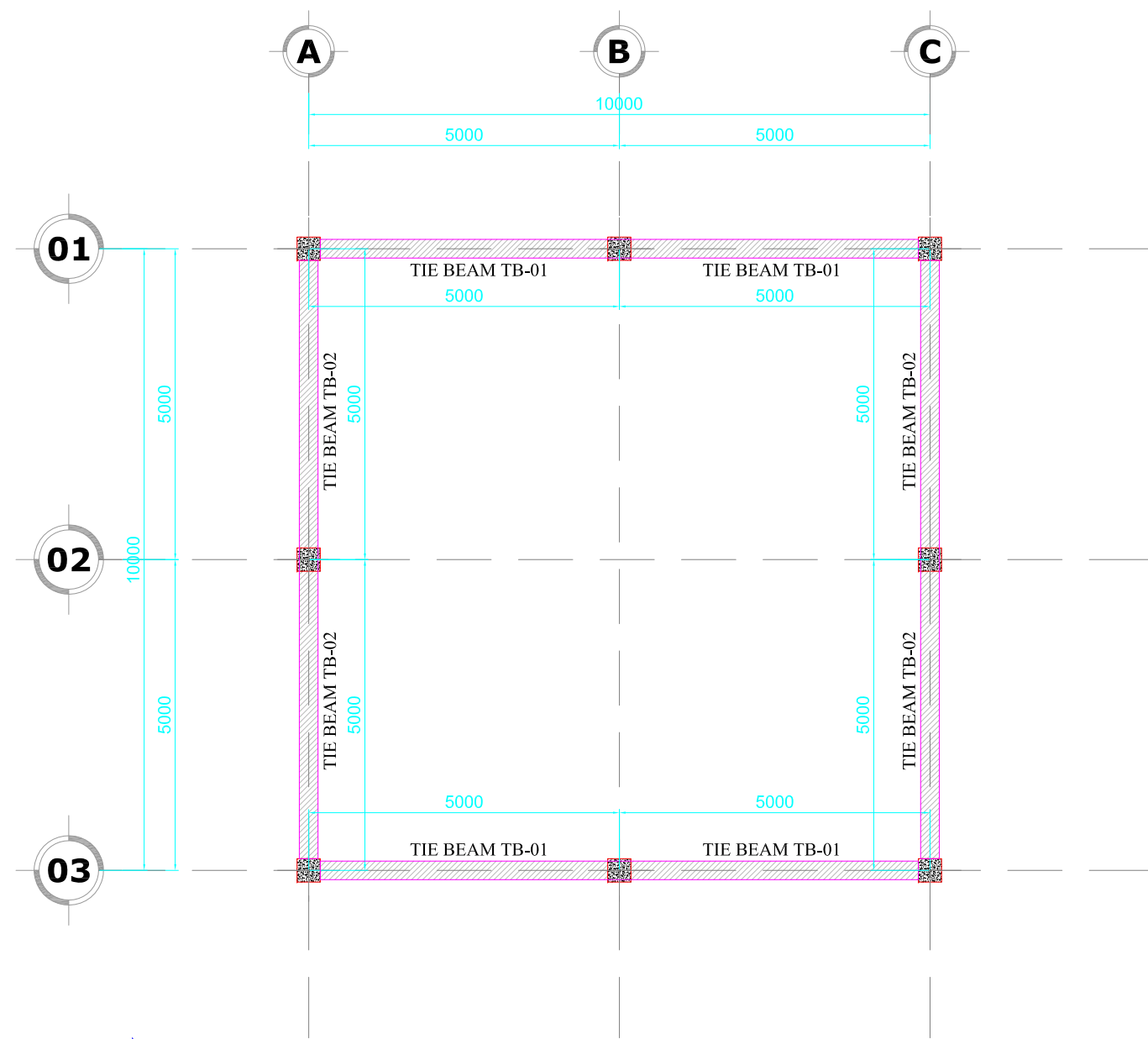
Subproject V5: Vang Vieng Solid Waste Management Improvements

TITLE:
Typical Footing Section & Plan, R.C.C Footing & Column Schedule

DRAWING NO.: RAM-LAO-DED-W04-ST-06-3

SHEET NO.: 00 OF 00
SCALE: A3

REV: R01 DATE: JULY 2020



TIE Beam Marking Lay-out Plan of Incinerator Room

Scale :- 1:100

LEAD CONSULTANT :



Hannemanns Alle 53
DK-2300 København S
Tlf. +45 5161 1000
Fax +45 5161 1001
www.ramboll.dk

SUB-CONSULTANT:



Waste Concern Consultants

Level- 4, House No.- 120/B, (Masjid Road) Road- 7
New DOHS Mohakhali Dhaka- 1207, Bangladesh
Tlf. + 880-2-48810-841, + 880-2-48810-842
Fax. + 880-2- 9899-486, Email- office@wasteconcern.org
www.wasteconcern.org

CLIENT :

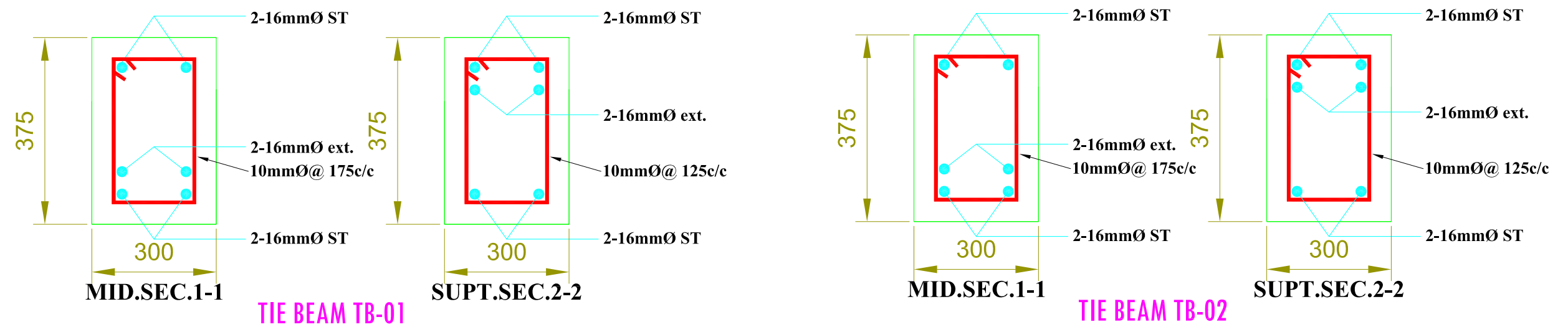
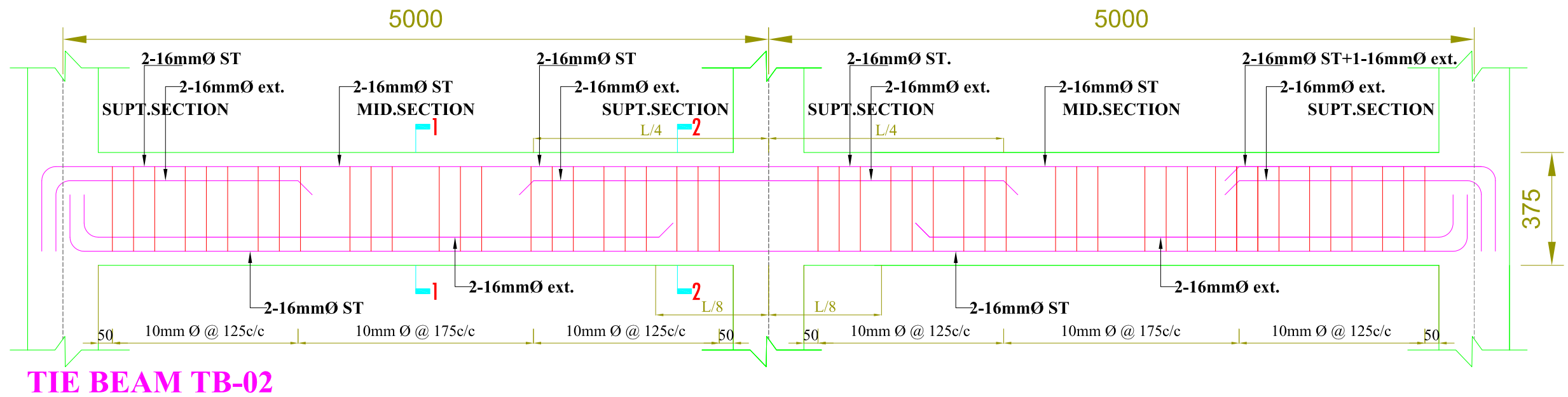
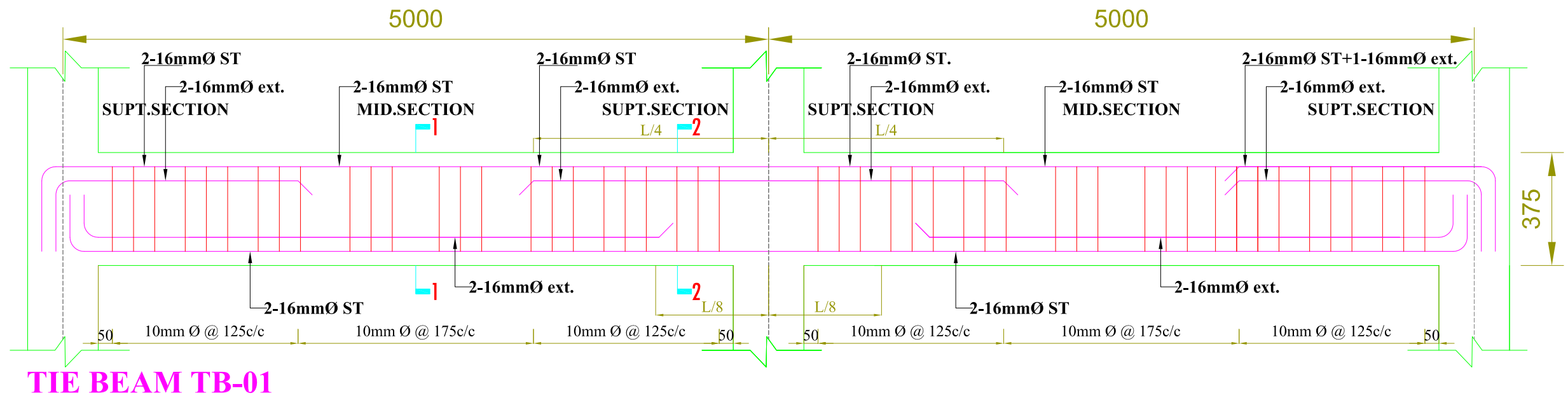


LAO PEOPLE'S DEMOCRATIC REPUBLIC (LAO PDR)
MINISTRY OF INFORMATION, CULTURE AND TOURISM

REV.	DATE	DESCRIPTION	DRN
R01	20.07.2020	PRELIMINARY ISSUE	

DESIGNED/DRAWN:
CHECKED:
APPROVED:

NAME OF PROJECT:		2ND GMS -TOURISM INFRASTRUCTURE FOR INCLUSIVE GROWTH	
		WORKS PACKAGE -TIIGP2-LAO-W04	
		Subproject V5: Vang Vieng Solid Waste Management Improvements	
TITLE:	TIE BEAM MARKING LAY-OUT PLAN OF INCINERATOR ROOM	SHEET NO.:	00 OF 00
		SHEET SIZE:	A3
DRAWING NO.:	RAM-LAO-DED-W04-ST-06-4	REV:	R01
		DATE:	JULY 2020



LEAD CONSULTANT :
RAMBOLL
 Hannemanns Alle 53
 DK-2300 København S
 Tlf. +45 5161 1000
 Fax +45 5161 1001
 www.ramboll.dk

SUB-CONSULTANT:
Waste Concern Consultants
 Level- 4, House No.- 120/B, (Masjid Road) Road- 7
 New DOHS Mohakhali Dhaka- 1207, Bangladesh
 Tlf. + 880-2-48810-841, + 880-2-48810-842
 Fax. + 880-2- 9899-486, Email- office@wasteconcern.org
 www.wasteconcern.org

CLIENT :
LAOS
 LAO PEOPLE'S DEMOCRATIC REPUBLIC (LAO PDR)
 MINISTRY OF INFORMATION, CULTURE AND TOURISM

REV.	DATE	DESCRIPTION	DRN
R01	20.07.2020	PRELIMINARY ISSUE	

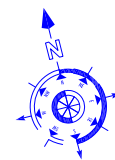
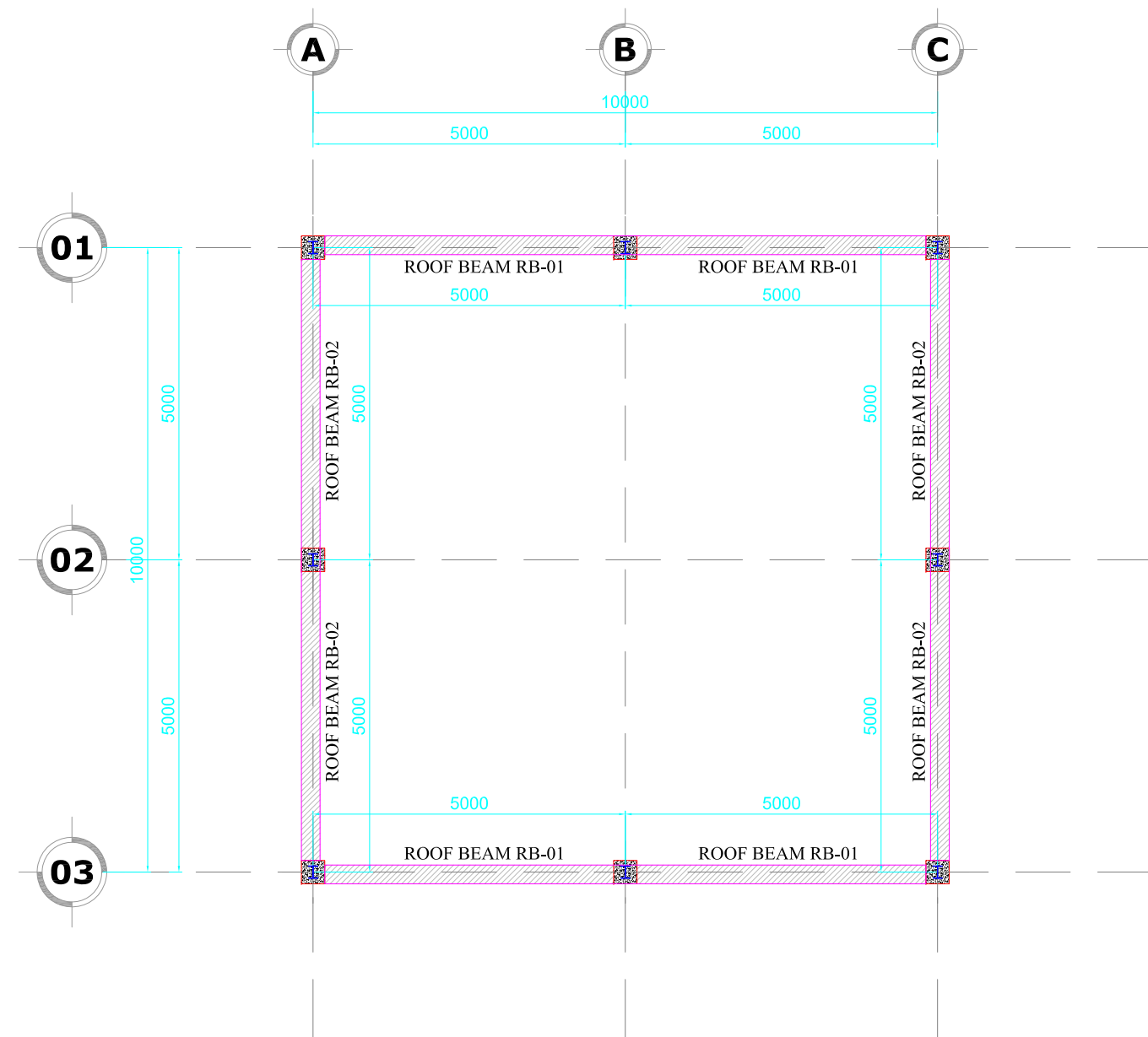
DESIGNED/DRAWN:
 CHECKED:
 APPROVED:

NAME OF PROJECT:
2ND GMS -TOURISM INFRASTRUCTURE FOR INCLUSIVE GROWTH
WORKS PACKAGE -TIIGP2-LAO-W04
Subproject V5: Vang Vieng Solid Waste Management Improvements

TITLE:
TIE Beam Long & Cross Section Reinforcement Details

DRAWING NO.: RAM-LAO-DED-W04-ST-06-5

SHEET NO.: 00 OF 00
 SHEET SIZE: A3
 SCALE:
 REV: R01
 DATE: JULY 2020



Roof Beam above 4.0 m. Level from PL
 R.C.C Beam Lay-Out Plan Incinerator Room
 Scale :- 1:100

LEAD CONSULTANT :



Hannemanns Alle 53
 DK-2300 København S
 Tlf. +45 5161 1000
 Fax +45 5161 1001
 www.ramboll.dk

SUB-CONSULTANT:



Waste Concern Consultants
 Level- 4, House No.- 120/B, (Masjid Road) Road- 7
 New DOHS Mohakhali Dhaka- 1207, Bangladesh
 Tlf. + 880-2-48810-841, + 880-2-48810-842
 Fax. + 880-2- 9899-486, Email- office@wasteconcern.org
 www.wasteconcern.org

CLIENT :

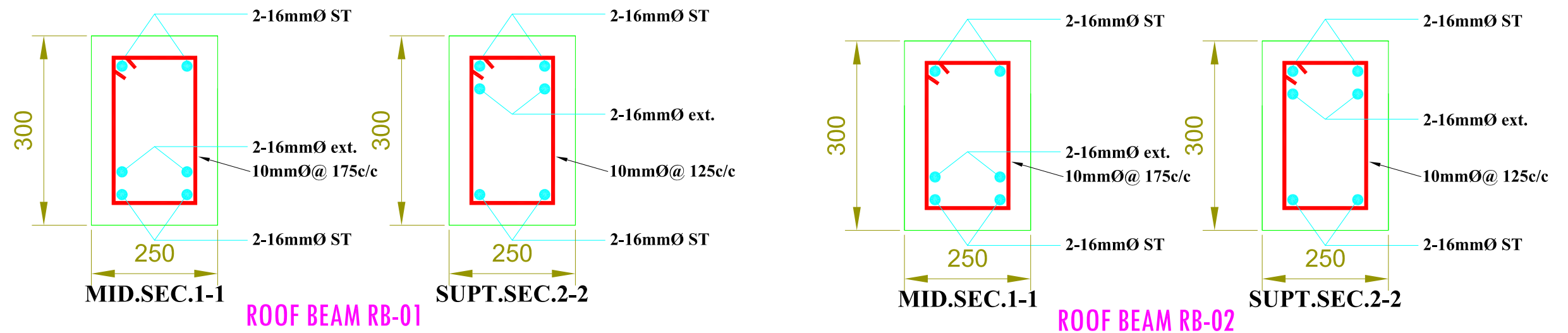
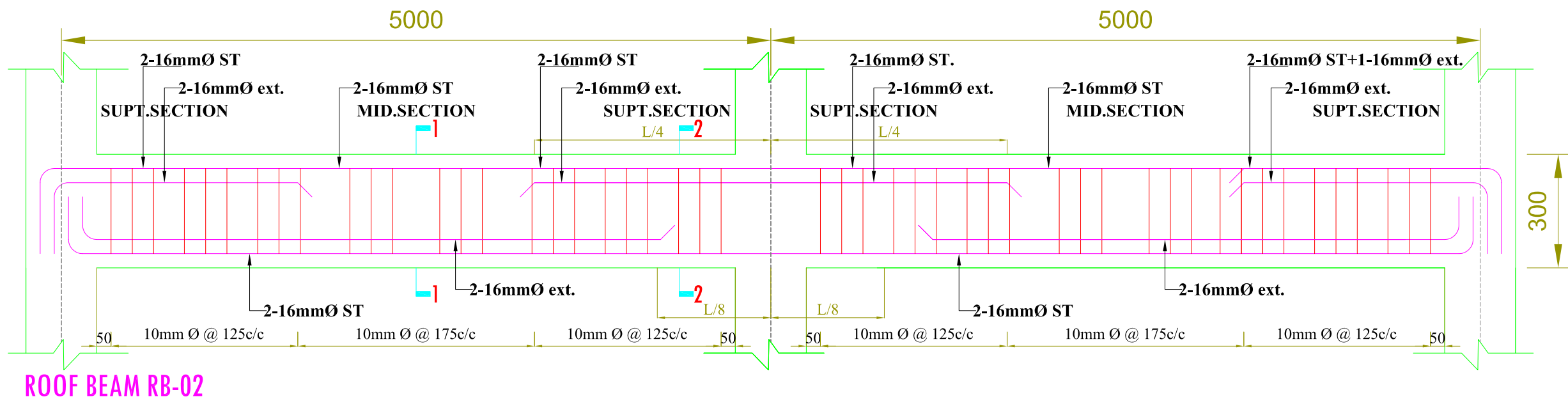
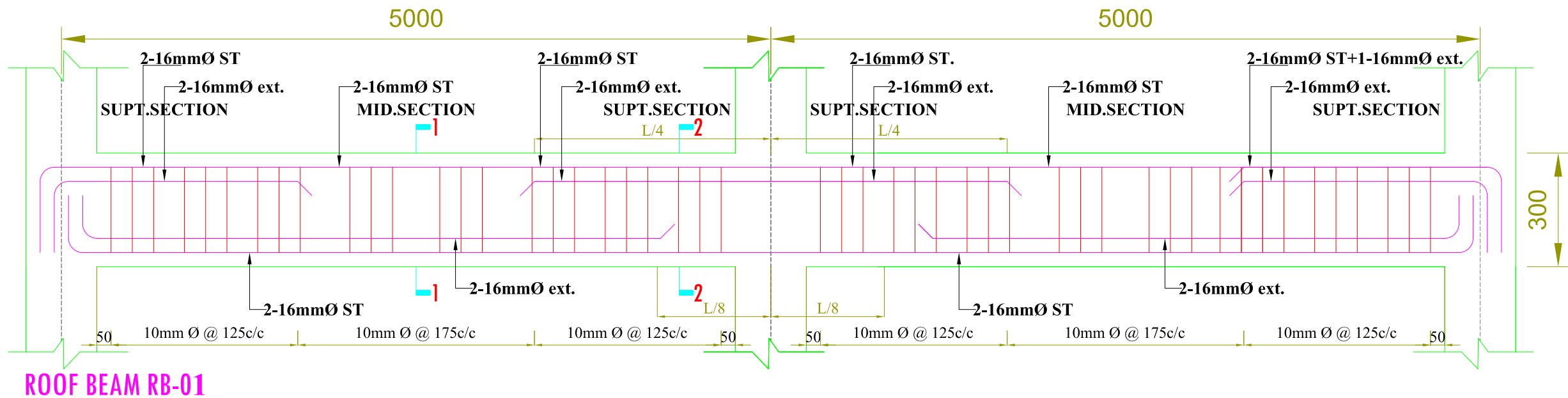


LAO PEOPLE'S DEMOCRATIC REPUBLIC (LAO PDR)
 MINISTRY OF INFORMATION, CULTURE AND TOURISM

REV.	DATE	DESCRIPTION	DRN
RO1	20.07.2020	PRELIMINARY ISSUE	

DESIGNED/DRAWN:
CHECKED:
APPROVED:

NAME OF PROJECT:		2ND GMS –TOURISM INFRASTRUCTURE FOR INCLUSIVE GROWTH	
		WORKS PACKAGE -TIIGP2-LAO-W04	
TITLE:		Subproject V5: Vang Vieng Solid Waste Management Improvements	
DRAWING NO.:		RAM-LAO-DED-W04-ST-06-7	
SHEET NO.:	00	OF	00
SHEET SIZE:	A3		
SCALE:			
REV:	R01	DATE:	JULY 2020



LEAD CONSULTANT :



Hannemanns Alle'53
DK-2300 København S
Tlf. +45 5161 1000
Fax +45 5161 1001
www.ramboll.dk

SUB-CONSULTANT:



Waste Concern Consultants
Level- 4, House No.- 120/B, (Masjid Road) Road-7
New DOHS Mohakhali Dhaka- 1207, Bangladesh
Tlf. + 880-2-48810-841, + 880-2-48810-842
Fax. + 880-2- 9899-486, Email- office@wasteconcern.org
www.wasteconcern.org

CLIENT :



LAO PEOPLE'S DEMOCRATIC REPUBLIC (LAO PDR)
MINISTRY OF INFORMATION, CULTURE AND TOURISM

REV.	DATE	DESCRIPTION	DRN
RO1	20.07.2020	PRELIMINARY ISSUE	

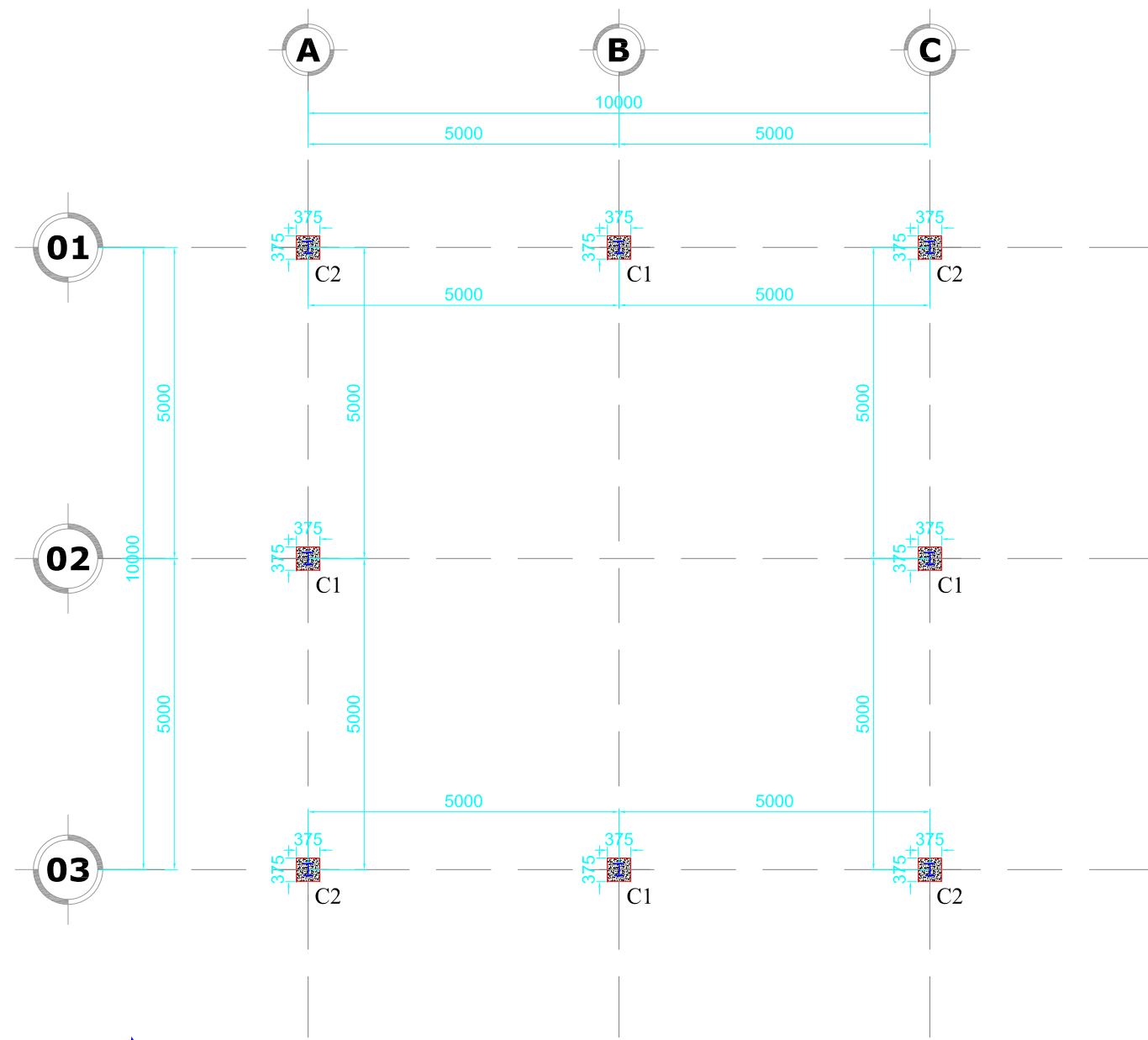
DESIGNED/DRAWN: /
CHECKED: /
APPROVED: /

NAME OF PROJECT:
2ND GMS -TOURISM INFRASTRUCTURE FOR INCLUSIVE GROWTH
WORKS PACKAGE -TIIGP2-LAO-W04
Subproject V5: Vang Vieng Solid Waste Management Improvements

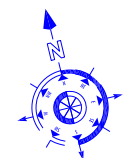
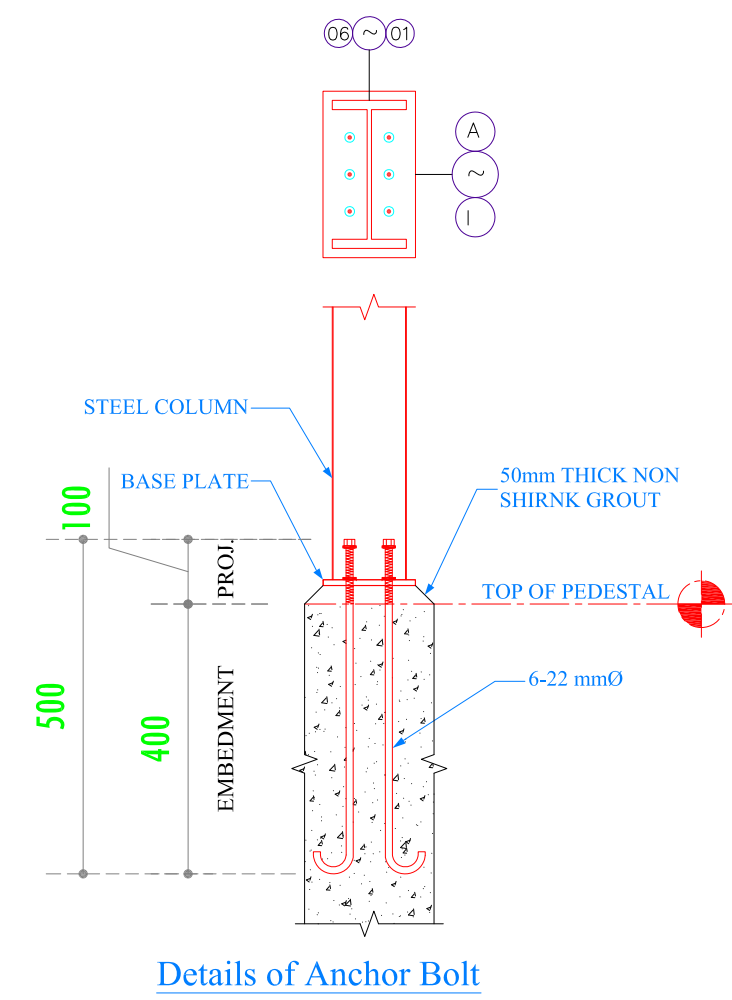
TITLE:
Roof Beam Long & Cross Section Reinforcement Details

DRAWING NO.: RAM-LAO-DED-W04-ST-06-7

SHEET NO.: 00 OF 00
SHEET SIZE: A3
SCALE:
REV: R01
DATE: JULY 2020




Anchor Bolt above 4.0 m. Level from PL
 Steel Column Lay-Out Plan Incinerator Room
 Scale :- 1:100



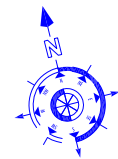
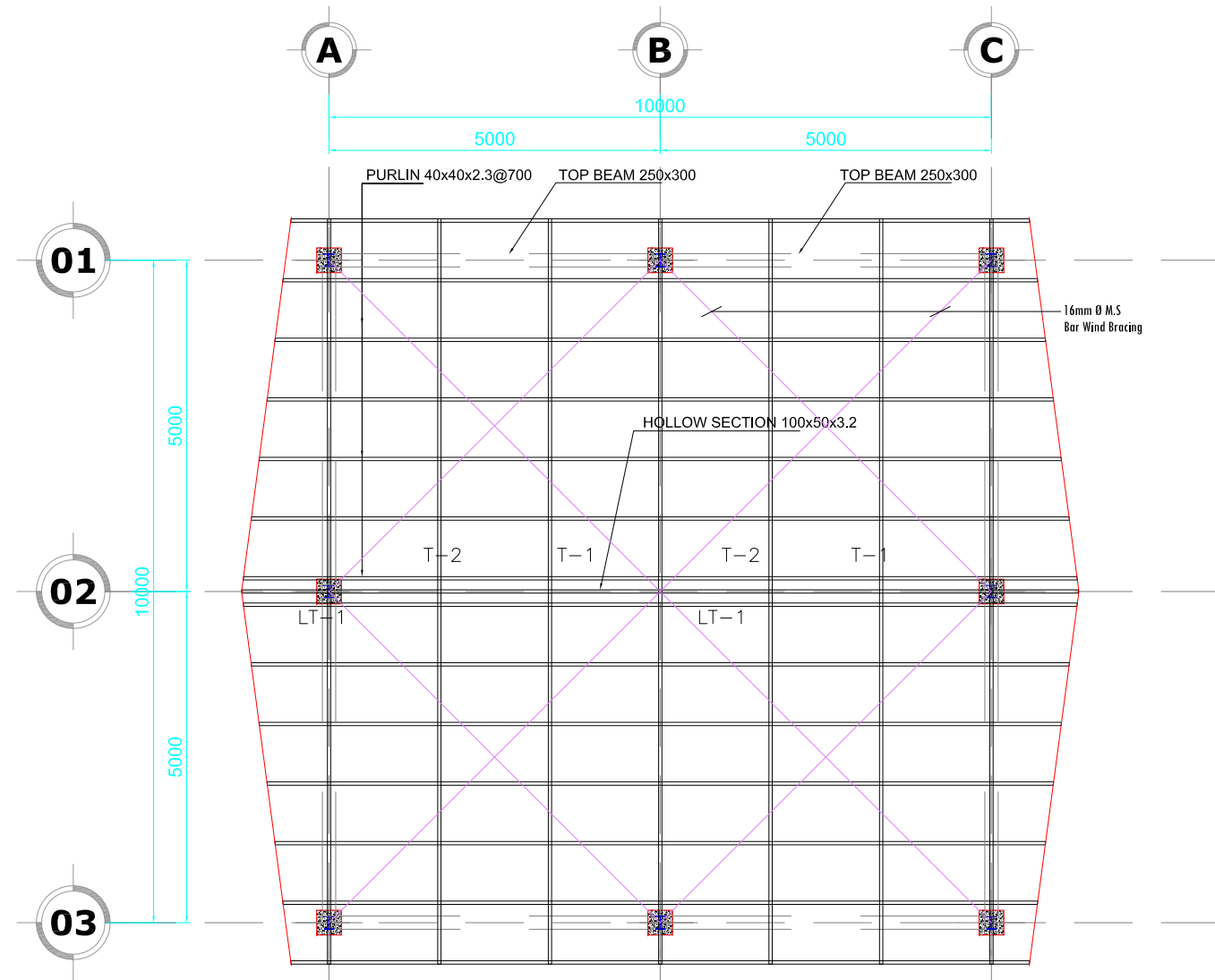
LEAD CONSULTANT :
RAMBOLL
 Hannemanns Alle 53
 DK-2300 København S
 Tlf. +45 5161 1000
 Fax +45 5161 1001
 www.ramboll.dk

SUB-CONSULTANT:
 **Waste Concern Consultants**
 Level- 4, House No.- 120/B, (Masjid Road) Road- 7
 New DOHS Mohakhali Dhaka- 1207, Bangladesh
 Tlf. + 880-2-48810-841, + 880-2-48810-842
 Fax. + 880-2- 9899-486, Email- office@wasteconcern.org
 www.wasteconcern.org

CLIENT :
 **LAOS**
 LAO PEOPLE'S DEMOCRATIC REPUBLIC (LAO PDR)
 MINISTRY OF INFORMATION, CULTURE AND TOURISM

REV.	DATE	DESCRIPTION	DRN
R01	20.07.2020	PRELIMINARY ISSUE	

DESIGNED/DRAWN:	NAME OF PROJECT: 2ND GMS –TOURISM INFRASTRUCTURE FOR INCLUSIVE GROWTH WORKS PACKAGE -TIIGP2-LAO-W04 Subproject V5: Vang Vieng Solid Waste Management Improvements
CHECKED:	TITLE: Anchor Bolt above 4.0 m. Level from PL Steel Column Lay-Out Plan Incinerator Room
APPROVED:	DRAWING NO.: RAM-LAO-DED-W04-ST-06-8
	SHEET NO.: 00 OF 00 SHEET SIZE: A3 SCALE: REV: R01 DATE: JULY 2020



3 ROOF FRAMING PLAN
ST-14 SCALE 1:100

LEAD CONSULTANT :



Hannemanns Alle 53
DK-2300 København S
Tlf. +45 5161 1000
Fax +45 5161 1001
www.ramboll.dk

SUB-CONSULTANT:



Waste Concern Consultants
Level- 4, House No.- 120/B, (Masjid Road) Road- 7
New DOHS Mohakhali Dhaka- 1207, Bangladesh
Tlf. + 880-2-48810-841, + 880-2-48810-842
Fax. + 880-2- 9899-486, Email- office@wasteconcern.org
www.wasteconcern.org

CLIENT :

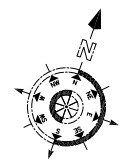
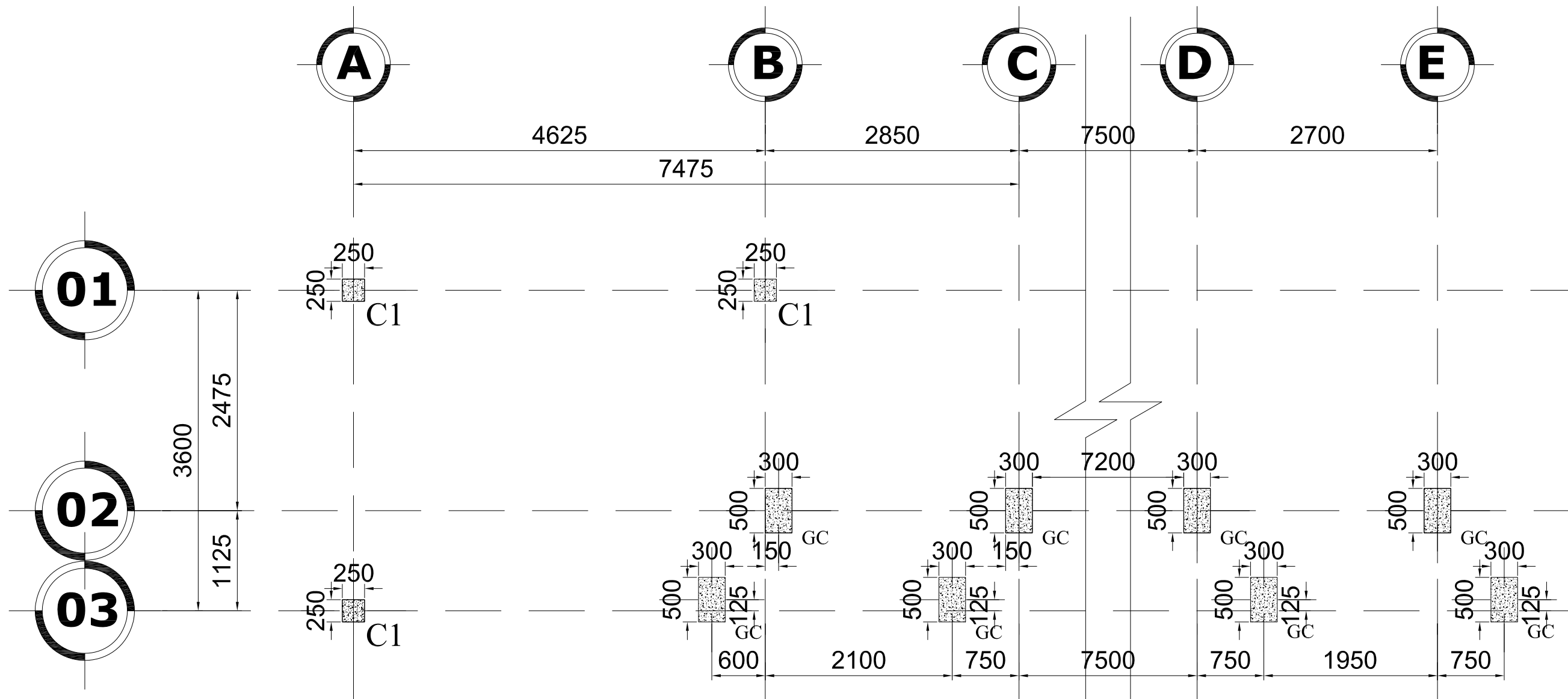


LAO PEOPLE'S DEMOCRATIC REPUBLIC (LAO PDR)
MINISTRY OF INFORMATION, CULTURE AND TOURISM

REV.	DATE	DESCRIPTION	DRN
R01	20.07.2020	PRELIMINARY ISSUE	

DESIGNED/DRAWN:
CHECKED:
APPROVED:

NAME OF PROJECT: 2ND GMS -TOURISM INFRASTRUCTURE FOR INCLUSIVE GROWTH WORKS PACKAGE -TIIGP2-LAO-W04		SHEET NO.:	SHEET SIZE:
Subproject V5: Vang Vieng Solid Waste Management Improvements		00 OF 00	A3
TITLE: ROOF FRAMING LAY-OUT PLAN OF INCINERATOR ROOM		SCALE:	
DRAWING NO.:	RAM-LAO-DED-W04-ST-06-9	REV:	DATE:
		R01	JULY 2020



**Security Room & Main Entrance:
Column Marking Layout Plan**

Scale :- 1:50

LEAD CONSULTANT :



Hannemanns Alle 53
DK-2300 København S
Tlf. +45 5161 1000
Fax +45 5161 1001
www.ramboll.dk

SUB-CONSULTANT:



Waste Concern Consultants
Level- 4, House No.- 120/B, (Masjid Road) Road- 7
New DOHS Mohakhali Dhaka- 1207, Bangladesh
Tlf. + 880-2-48810-841, + 880-2-48810-842
Fax. + 880-2- 9899-486, Email- office@wasteconcern.org
www.wasteconcern.org

CLIENT :

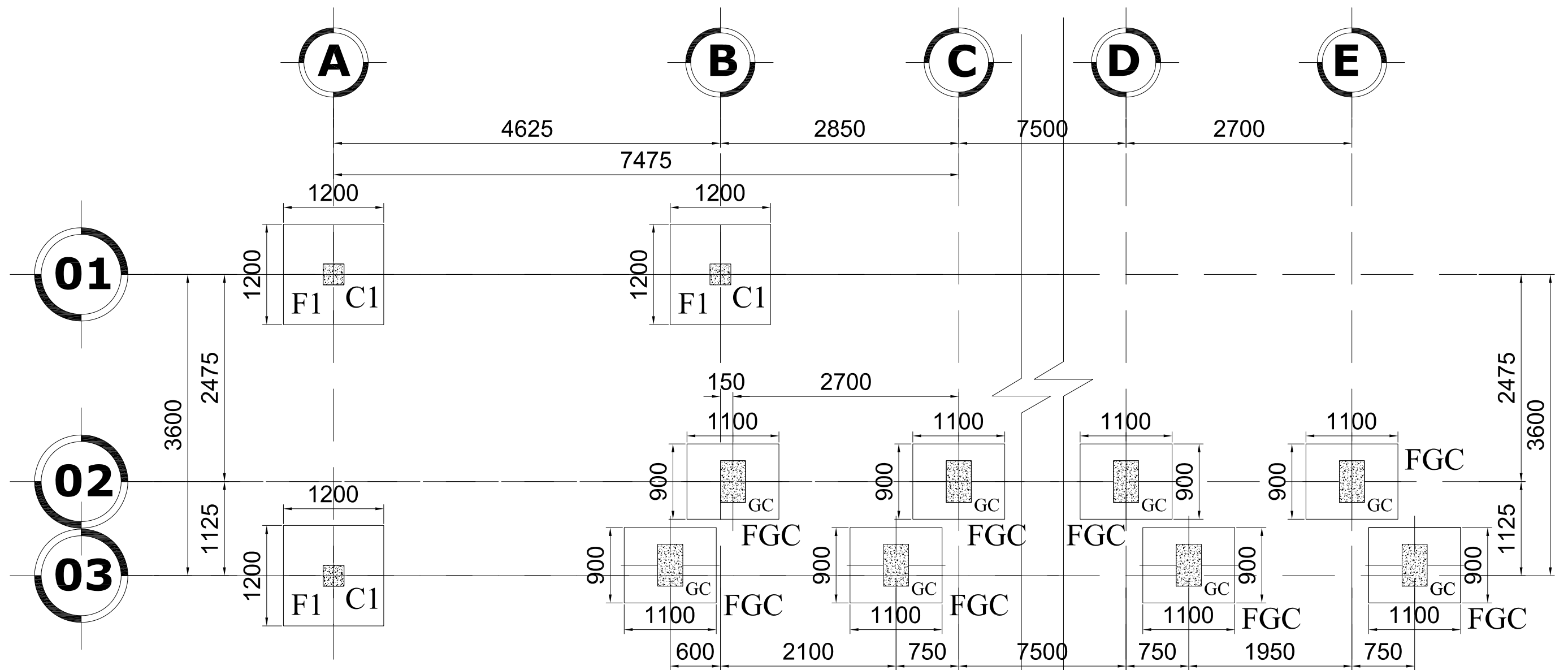


LAO PEOPLE'S DEMOCRATIC REPUBLIC (LAO PDR)
MINISTRY OF INFORMATION, CULTURE AND TOURISM

REV.	DATE	DESCRIPTION	DRN
R01	20.07.2020	PRELIMINARY ISSUE	

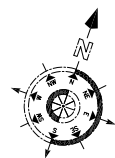
DESIGNED/DRAWN:
CHECKED:
APPROVED:

NAME OF PROJECT: 2ND GMS -TOURISM INFRASTRUCTURE FOR INCLUSIVE GROWTH WORKS PACKAGE -TIIGP2-LAO-W04 Subproject V5: Vang Vieng Solid Waste Management Improvements		SHEET NO.: 00 OF 00	SHEET SIZE: A3
TITLE: Security Room & Main Entrance: Coloumn Marking Layout Plan		SCALE:	
DRAWING NO.: RAM-LAO-DED-W04-ST-07-1		REV: R01	DATE: JULY 2020



**Security Room & Main Entrance:
Footings Marking Layout Plan**

Scale :- 1:50



LEAD CONSULTANT :



Hannemanns Alle 53
DK-2300 København S
Tlf. +45 5161 1000
Fax +45 5161 1001
www.ramboll.dk

SUB-CONSULTANT:



Waste Concern Consultants
Level- 4, House No.- 120/B, (Masjid Road) Road- 7
New DOHS Mohakhali Dhaka- 1207, Bangladesh
Tlf. + 880-2-48810-841, + 880-2-48810-842
Fax. + 880-2- 9899-486, Email- office@wasteconcern.org
www.wasteconcern.org

CLIENT :

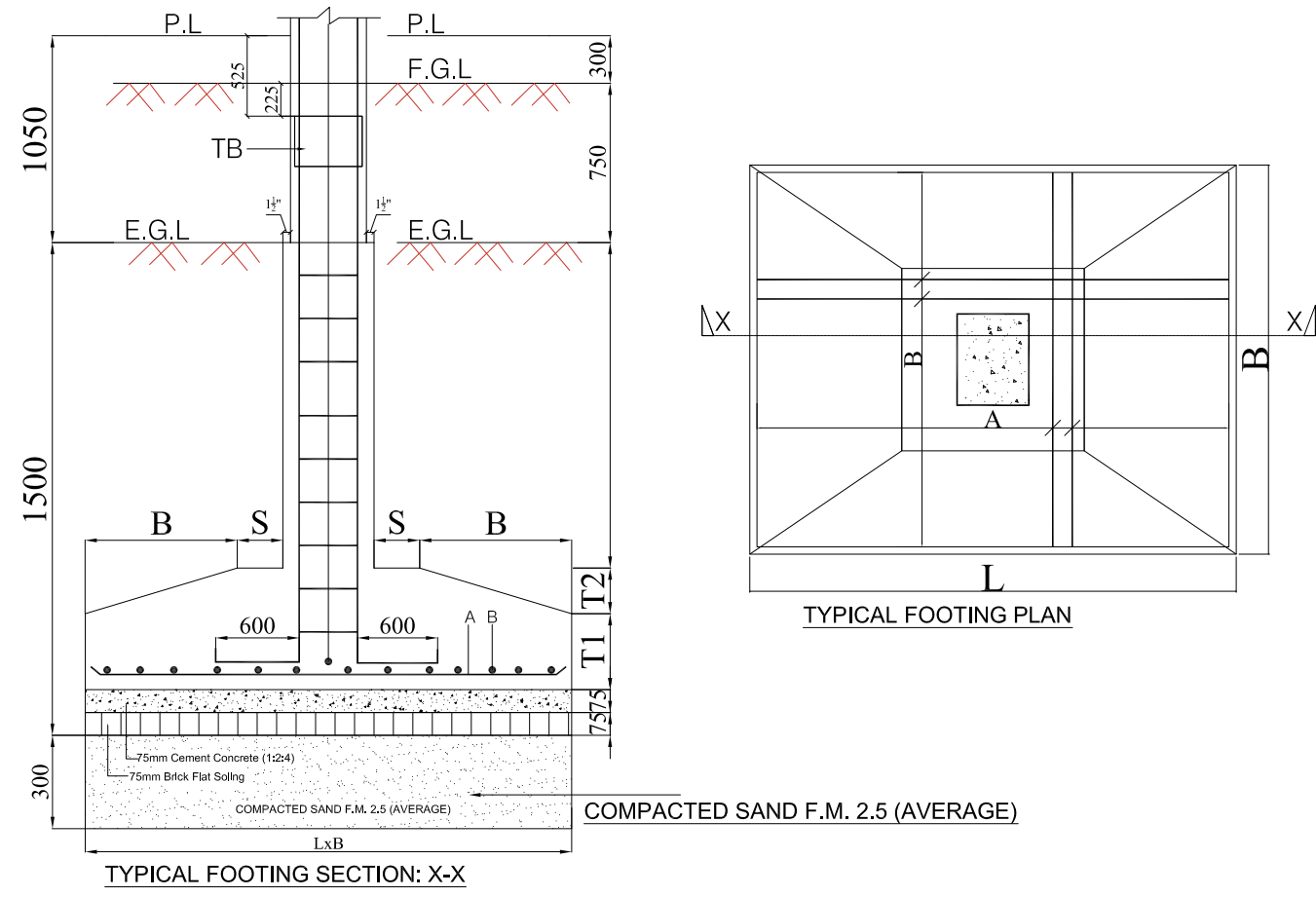


LAO PEOPLE'S DEMOCRATIC REPUBLIC (LAO PDR)
MINISTRY OF INFORMATION, CULTURE AND TOURISM

REV.	DATE	DESCRIPTION	DRN
RO1	20.07.2020	PRELIMINARY ISSUE	

DESIGNED/DRAWN: _____
CHECKED: _____
APPROVED: _____

NAME OF PROJECT: 2ND GMS –TOURISM INFRASTRUCTURE FOR INCLUSIVE GROWTH WORKS PACKAGE -TIIGP2-LAO-W04		SHEET NO.:	SHEET SIZE:
Subproject V5: Vang Vieng Solid Waste Management Improvements		00 OF 00	A3
TITLE: Security Room & Main Entrance: Footings Marking Layout Plan		SCALE:	
DRAWING NO.: RAM-LAO-DED-W04-ST-07-2		REV:	DATE:
		R01	JULY 2020

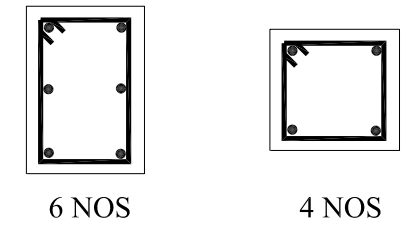


R.C.C COLUMN SCHEDULE

SCALE 1 : 30

NAME OF COL.	BELOW GROUND FLOOR		GROUND FLOOR		STIRRUPS AT ALL FLOORS
	SIZE	VER. BAR	SIZE	VER. BAR	
C1	325X325	4-20mmØ	250X250	4-20mmØ	10 mm Ø @ 100 to 200c/c ¼th of clear ht. @ 100c/c & ¼th of mid ht. @ 200c/c
GC	375X575	6-16mmØ	300X500	6-16mmØ	

Arrangement of vertical bar & ties



R.C.C. FOOTING SCHEDULE

SCALE 1 : 30

NAME OF FOOTING	SIZE LXB	T1	T2	S	B	A x B
F1	1200 x 1200	250	100	125	315	12 mm Ø @ 110 C/C bothways
FGC	900 x 1100	225	100	100	190	12 mm Ø @ 125 C/C bothways

Providing **compacted sub-base course** with well graded material of crushed well burnt picked brick bats and sand (FM =1.2) with mixing proportion 1:1 having reqd. thickness of compaction of 95% to 100% of MDD made as per specification including local handling, spreading uniformly and compaction properly .

LEAD CONSULTANT :

Hannemanns Alle 53
DK-2300 København S
Tlf. +45 5161 1000
Fax +45 5161 1001
www.ramboll.dk

SUB-CONSULTANT:

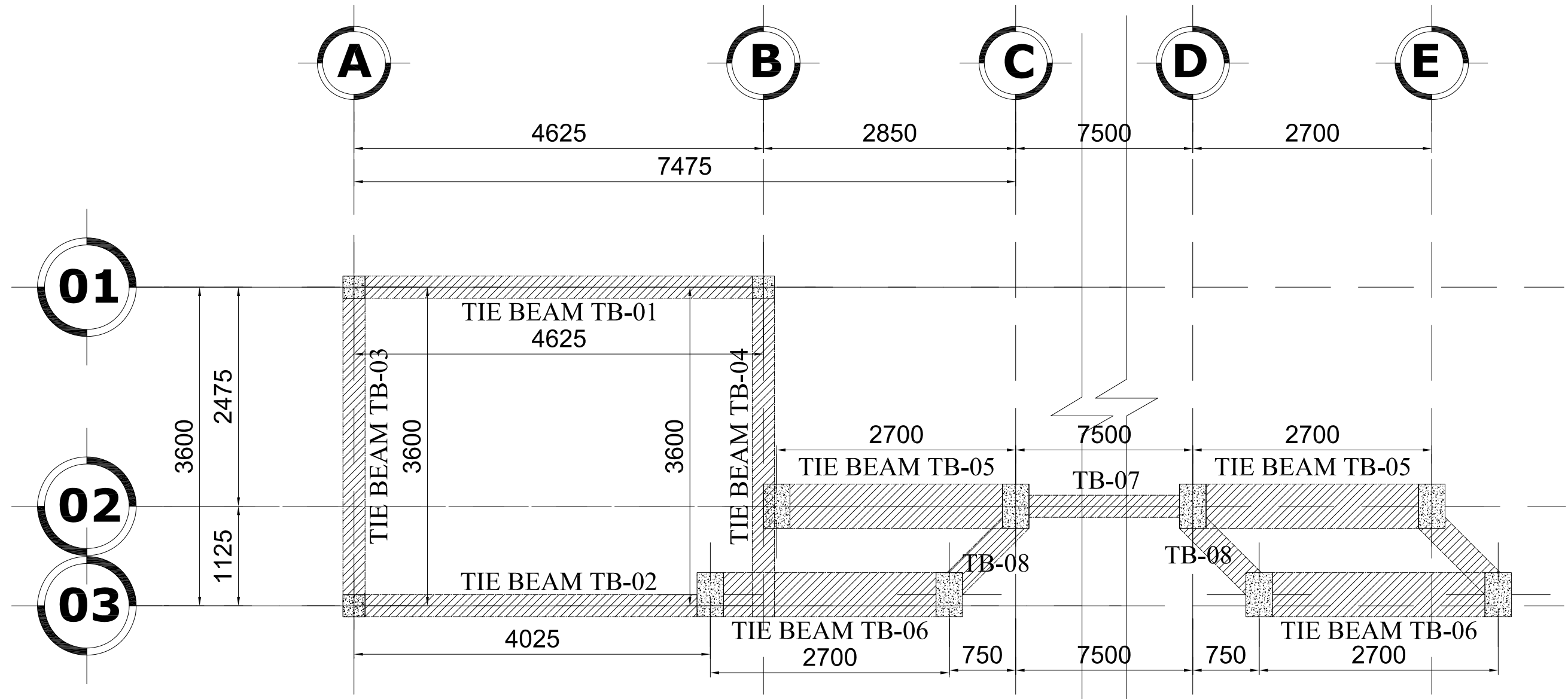
Waste Concern Consultants
Level- 4, House No.- 120/B, (Masjid Road) Road- 7
New DOHS Mohakhali Dhaka- 1207, Bangladesh
Tlf. + 880-2-48810-841, + 880-2-48810-842
Fax. + 880-2- 9899-486, Email- office@wasteconcern.org
www.wasteconcern.org

CLIENT :

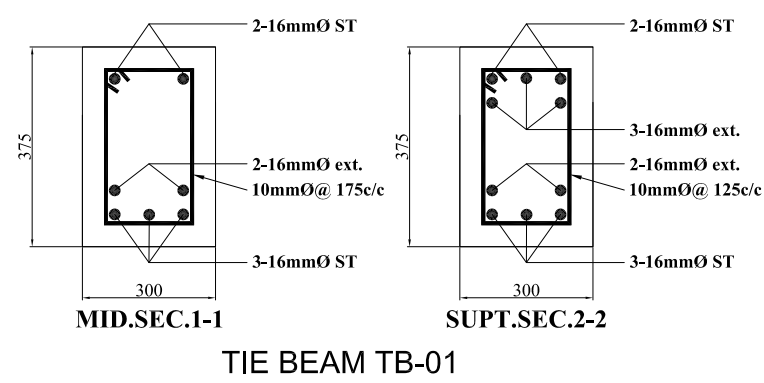
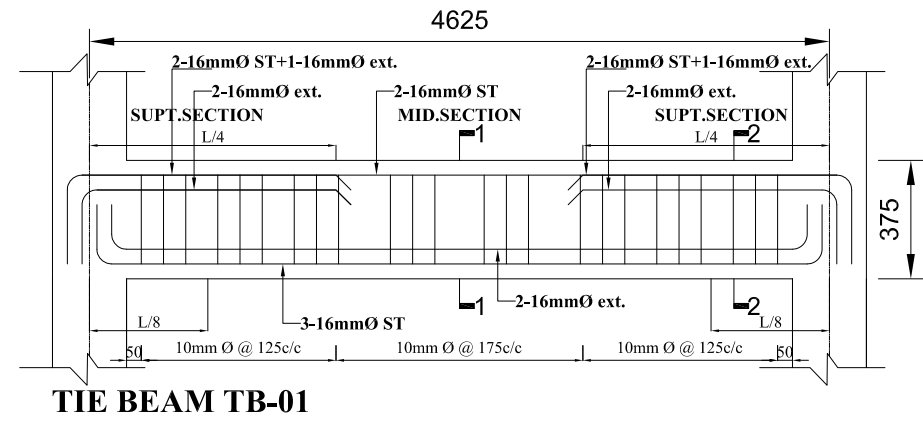
LAO PEOPLE'S DEMOCRATIC REPUBLIC (LAO PDR)
MINISTRY OF INFORMATION, CULTURE AND TOURISM

DESIGNED/DRAWN:	NAME OF PROJECT:
CHECKED:	2ND GMS –TOURISM INFRASTRUCTURE FOR INCLUSIVE GROWTH WORKS PACKAGE -TIIGP2-LAO-W04 Subproject V5: Vang Vieng Solid Waste Management Improvements
APPROVED:	TITLE: Security Room & Main Entrance: Typical Footing Section & Plan, R.C.C Footing Schedule & R.C.C Coloumn Schedule
REV. DATE DESCRIPTION DRN	DRAWING NO.: RAM-LAO-DED-W04-ST-07-3

SHEET NO.: 00	OF 00	SHEET SIZE: A3
SCALE:	REV: R01	DATE: JULY 2020



Security Room & Main Entrance:
Tie Beam Marking Lay-out Plan
Scale :- 1:50



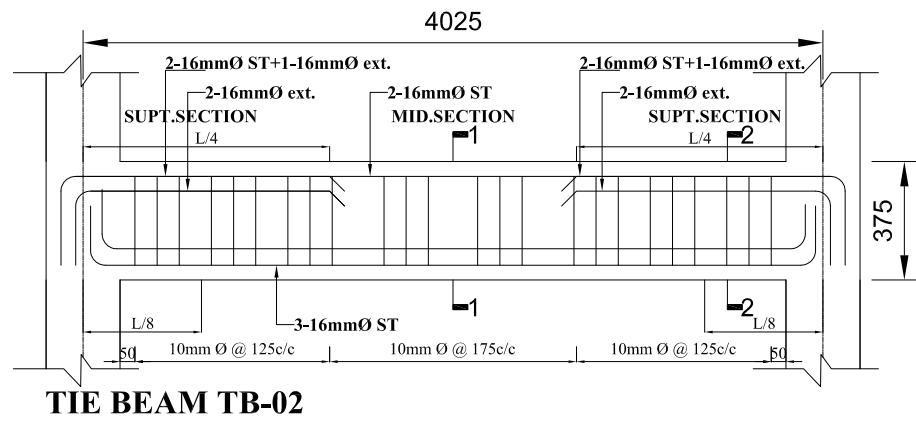
LEAD CONSULTANT :
RAMBOLL
Hannemanns Alle 53
DK-2300 København S
Tlf. +45 5161 1000
Fax +45 5161 1001
www.ramboll.dk

SUB-CONSULTANT:
Waste Concern Consultants
Level- 4, House No.- 120/B, (Masjid Road) Road- 7
New DOHS Mohakhali Dhaka- 1207, Bangladesh
Tlf. + 880-2-48810-841, + 880-2-48810-842
Fax. + 880-2- 9899-486, Email- office@wasteconcern.org
www.wasteconcern.org

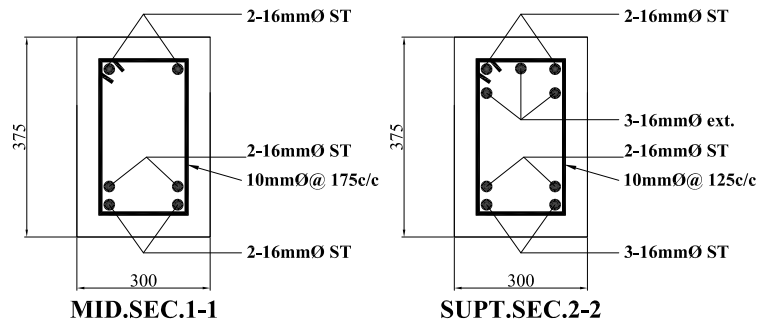
CLIENT :
LAOS
LAO PEOPLE'S DEMOCRATIC REPUBLIC (LAO PDR)
MINISTRY OF INFORMATION, CULTURE AND TOURISM

REV.	DATE	DESCRIPTION	DRN
R01	20.07.2020	PRELIMINARY ISSUE	

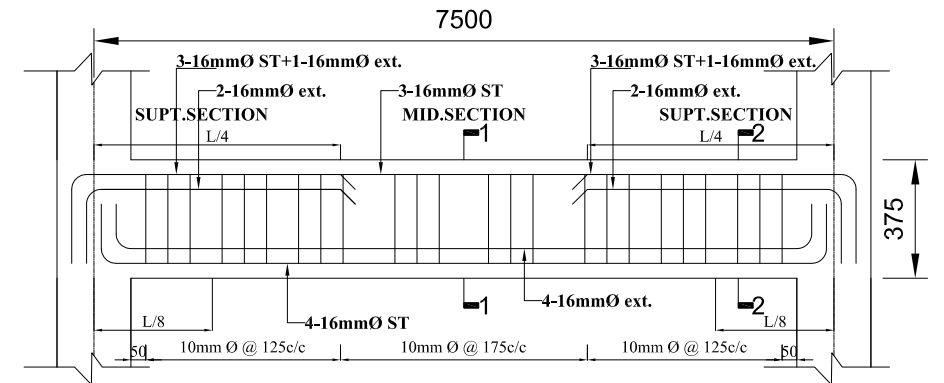
DESIGNED/DRAWN: /...
CHECKED: /...
APPROVED: /...
NAME OF PROJECT:
2ND GMS -TOURISM INFRASTRUCTURE FOR INCLUSIVE GROWTH
WORKS PACKAGE -TIIGP2-LAO-W04
Subproject V5: Vang Vieng Solid Waste Management Improvements
TITLE:
Security Room & Main Entrance: Tie Beam Marking Layout Plan
DRAWING NO.: RAM-LAO-DED-W04-ST-07-4
SHEET NO.: 00 OF 00
SHEET SIZE: A3
SCALE:
REV: R01
DATE: JULY 2020



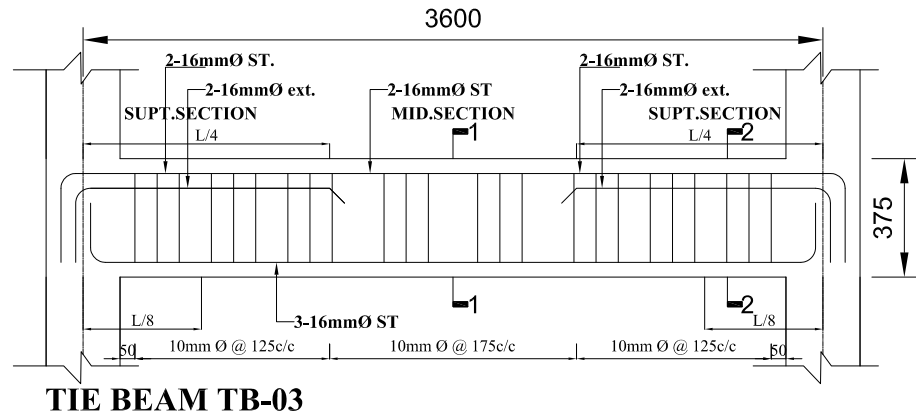
TIE BEAM TB-02



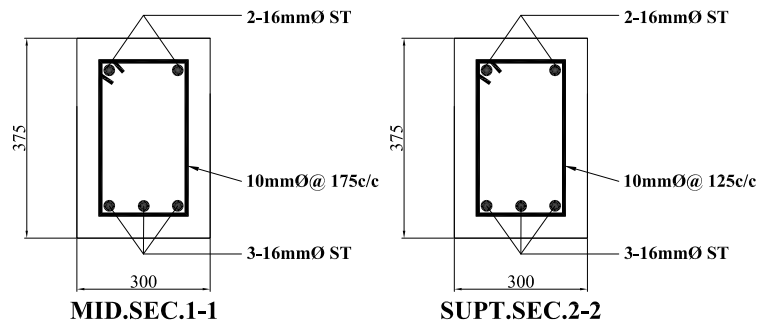
TIE BEAM TB-02



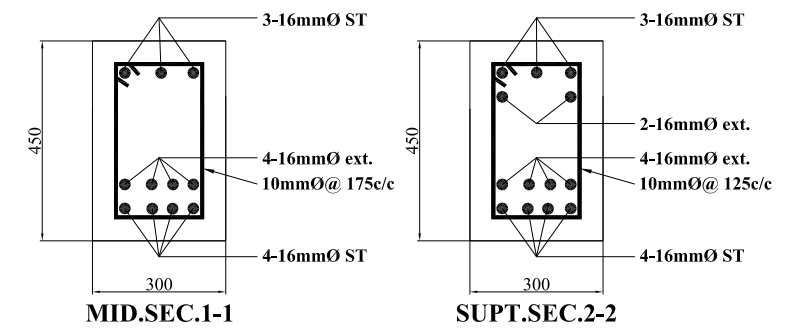
TIE BEAM TB-07



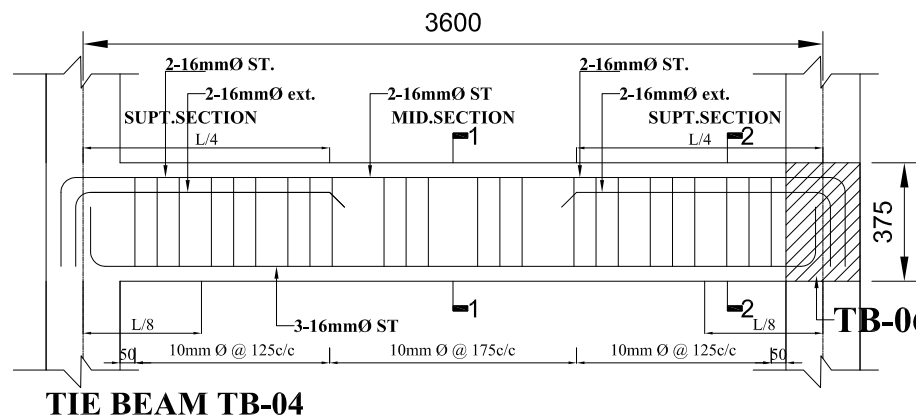
TIE BEAM TB-03



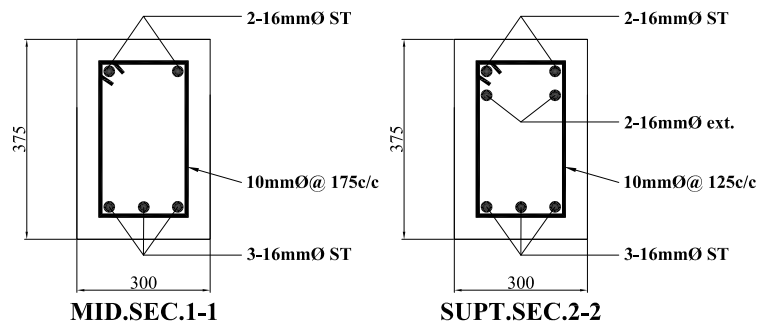
TIE BEAM TB-03



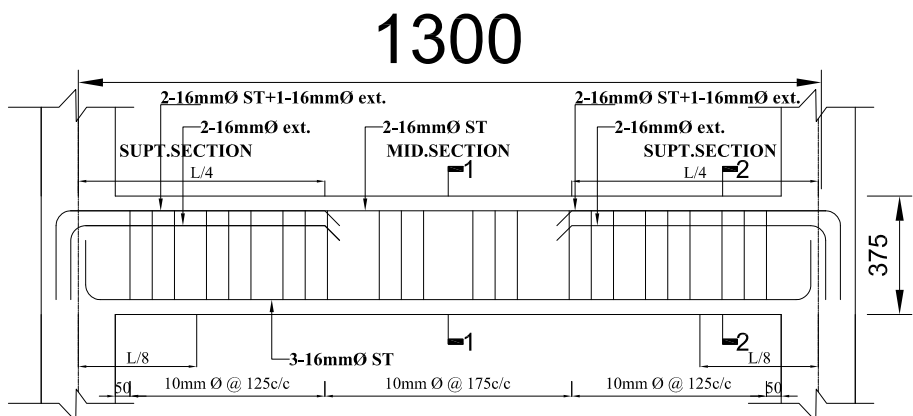
TIE BEAM TB-07



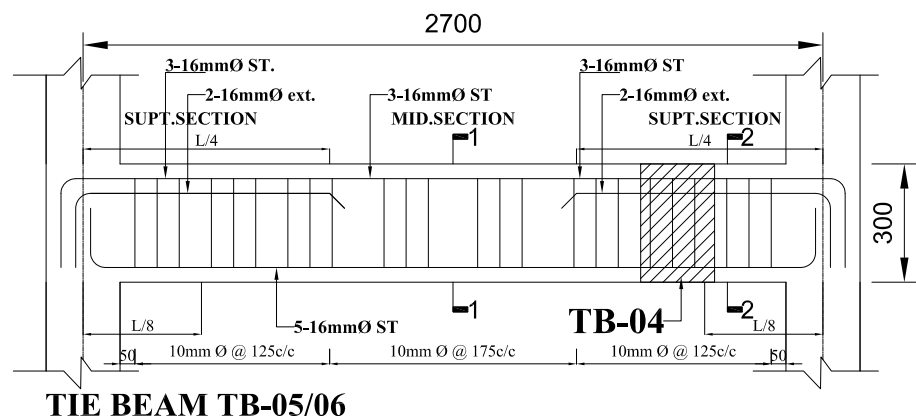
TIE BEAM TB-04



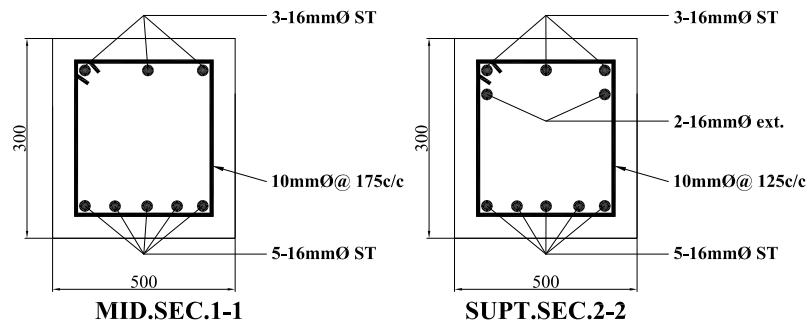
TIE BEAM TB-04



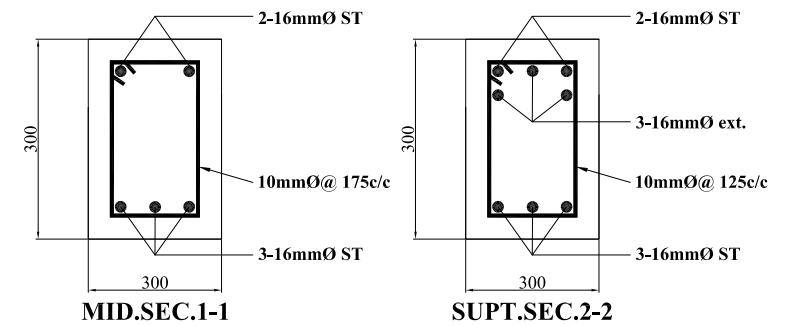
TIE BEAM TB-08



TIE BEAM TB-05/06



TIE BEAM TB-05/06



TIE BEAM TB-08

LEAD CONSULTANT :



Hannemanns Alle'53
DK-2300 København S
Tlf. +45 5161 1000
Fax +45 5161 1001
www.ramboll.dk

SUB-CONSULTANT:



Waste Concern Consultants
Level- 4, House No.- 120/B, (Masjid Road) Road-7
New DOHS Mohakhali Dhaka-1207, Bangladesh
Tlf. + 880-2-48810-841, + 880-2-48810-842
Fax. + 880-2- 9899-486, Email- office@wasteconcern.org
www.wasteconcern.org

CLIENT :

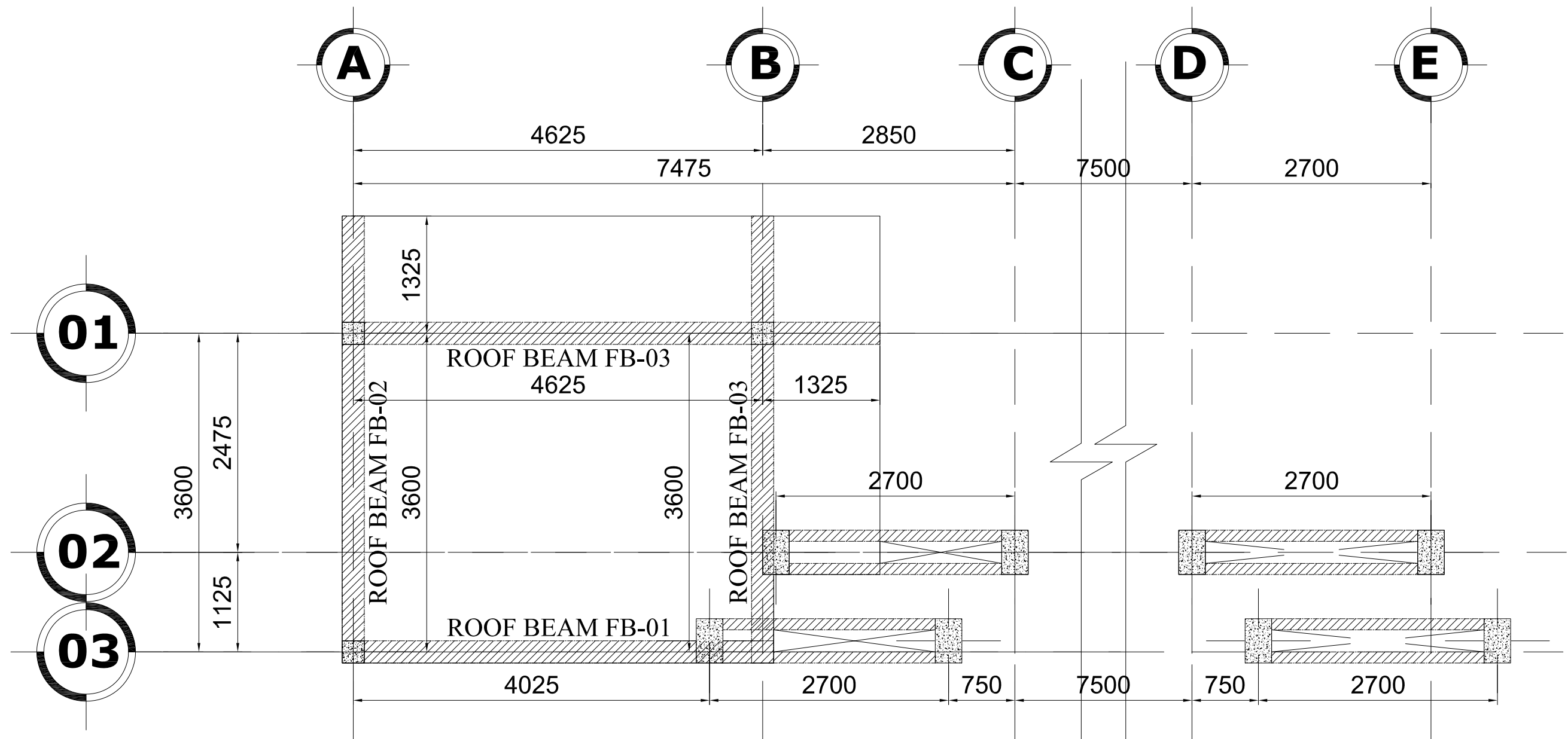


LAO PEOPLE'S DEMOCRATIC REPUBLIC (LAO PDR)
MINISTRY OF INFORMATION, CULTURE AND TOURISM

REV.	DATE	DESCRIPTION	DRN
R01	20.07.2020	PRELIMINARY ISSUE	

DESIGNED/DRAWN:	
CHECKED:	
APPROVED:	

NAME OF PROJECT: 2ND GMS -TOURISM INFRASTRUCTURE FOR INCLUSIVE GROWTH WORKS PACKAGE -TIIGP2-LAO-W04 Subproject V5: Vang Vieng Solid Waste Management Improvements		SHEET NO.: 00 OF 00	SHEET SIZE: A3
TITLE: Security Room & Main Entrance: Tie Beam Long & Cross Section Reinforcement Details		SCALE:	
DRAWING NO.: RAM-LAO-DED-W04-ST-07-5	REV: R01	DATE: JULY 2020	



**Security Room & Main Entrance:
Roof Beam Marking Lay-out Plan**

Scale :- 1:50

LEAD CONSULTANT :



Hannemanns Alle 53
DK-2300 København S
Tlf. +45 5161 1000
Fax +45 5161 1001
www.ramboll.dk

SUB-CONSULTANT:



Waste Concern Consultants
Level- 4, House No.- 120/B, (Masjid Road) Road- 7
New DOHS Mohakhali Dhaka- 1207, Bangladesh
Tlf. + 880-2-48810-841, + 880-2-48810-842
Fax. + 880-2- 9899-486, Email- office@wasteconcern.org
www.wasteconcern.org

CLIENT :

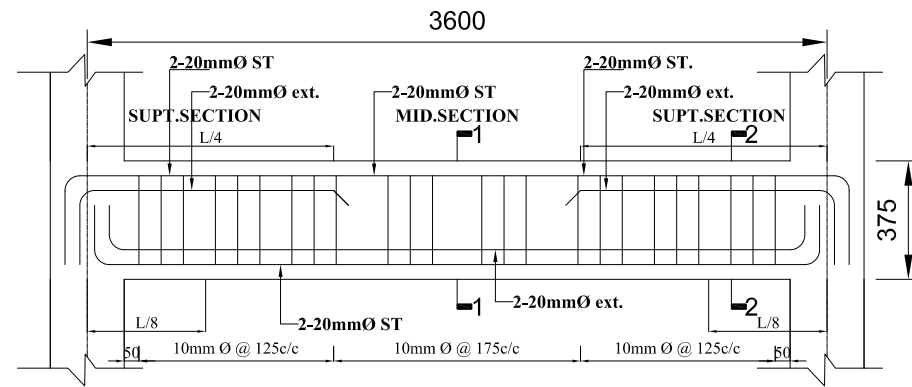


LAO PEOPLE'S DEMOCRATIC REPUBLIC (LAO PDR)
MINISTRY OF INFORMATION, CULTURE AND TOURISM

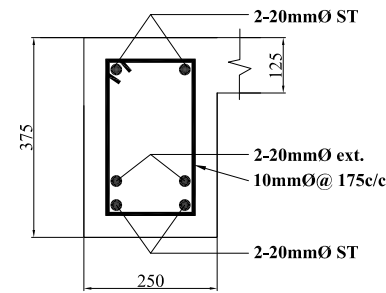
REV.	DATE	DESCRIPTION	DRN
R01	20.07.2020	PRELIMINARY ISSUE	

DESIGNED/DRAWN: /...
CHECKED: /...
APPROVED: /...

NAME OF PROJECT: 2ND GMS -TOURISM INFRASTRUCTURE FOR INCLUSIVE GROWTH WORKS PACKAGE -TIIGP2-LAO-W04 Subproject V5: Vang Vieng Solid Waste Management Improvements		SHEET NO.: 00 OF 00	SHEET SIZE: A3
TITLE: Security Room & Main Entrance: Roof Beam Marking Layout Plan		SCALE:	
DRAWING NO.: RAM-LAO-DED-W04-ST-07-6	REV: R01	DATE: JULY 2020	

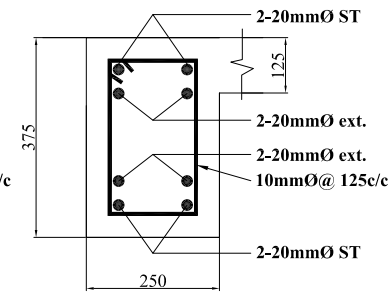


ROOF BEAM RB-01

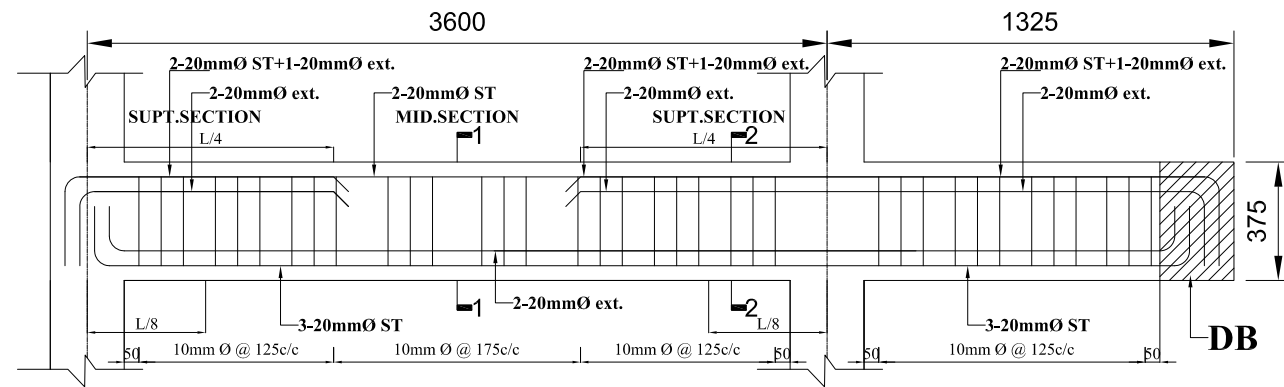


MID.SEC.1-1

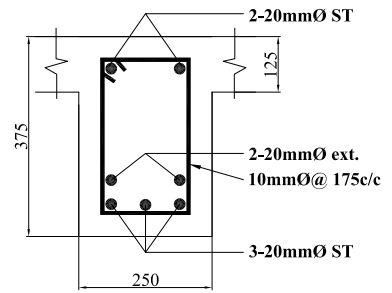
ROOF BEAM RB-01



SUPT.SEC.2-2

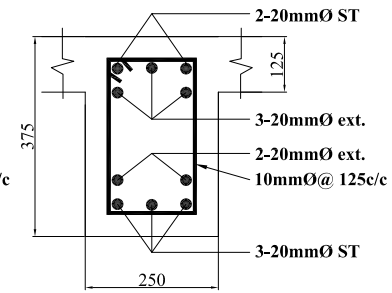


ROOF BEAM RB-02

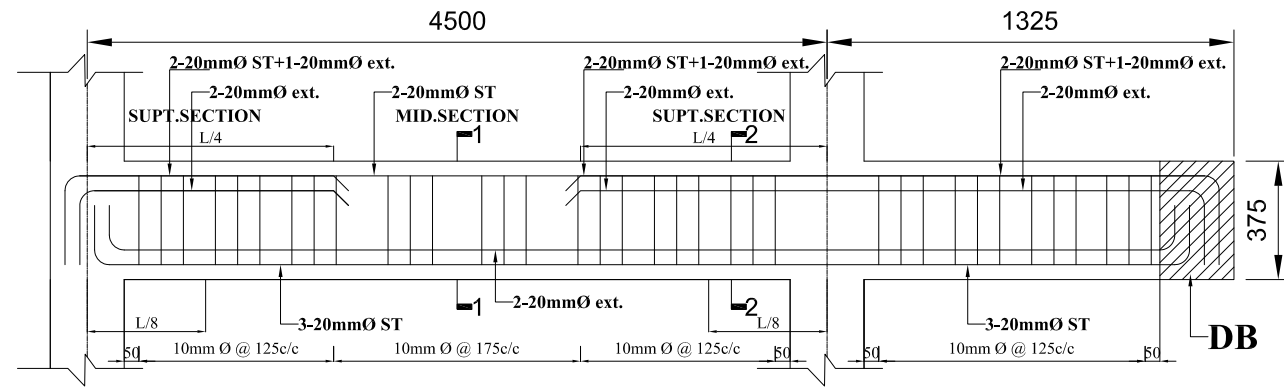


MID.SEC.1-1

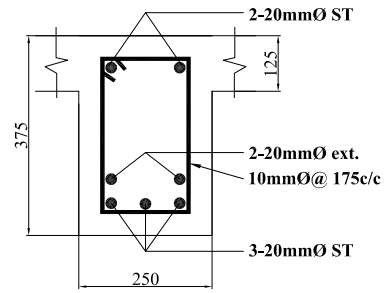
ROOF BEAM RB-02



SUPT.SEC.2-2

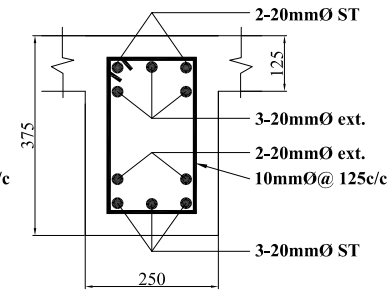


ROOF BEAM RB-03

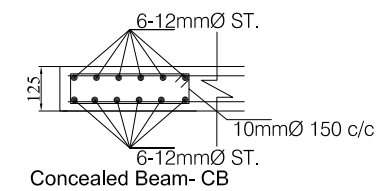


MID.SEC.1-1

ROOF BEAM RB-03



SUPT.SEC.2-2




Concealed Beam- CB

LEAD CONSULTANT :

 Hannemanns Alle 53
 DK-2300 København S
 Tlf. +45 5161 1000
 Fax +45 5161 1001
 www.ramboll.dk

SUB-CONSULTANT:

Waste Concern Consultants
 Level- 4, House No.- 120/B, (Masjid Road) Road- 7
 New DOHS Mohakhali Dhaka- 1207, Bangladesh
 Tlf. + 880-2-48810-841, + 880-2-48810-842
 Fax. + 880-2- 9899-486, Email- office@wasteconcern.org
 www.wasteconcern.org

CLIENT :

LAO PEOPLE'S DEMOCRATIC REPUBLIC (LAO PDR)
MINISTRY OF INFORMATION, CULTURE AND TOURISM

REV.	DATE	DESCRIPTION	DRN
R01	20.07.2020	PRELIMINARY ISSUE	

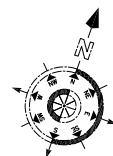
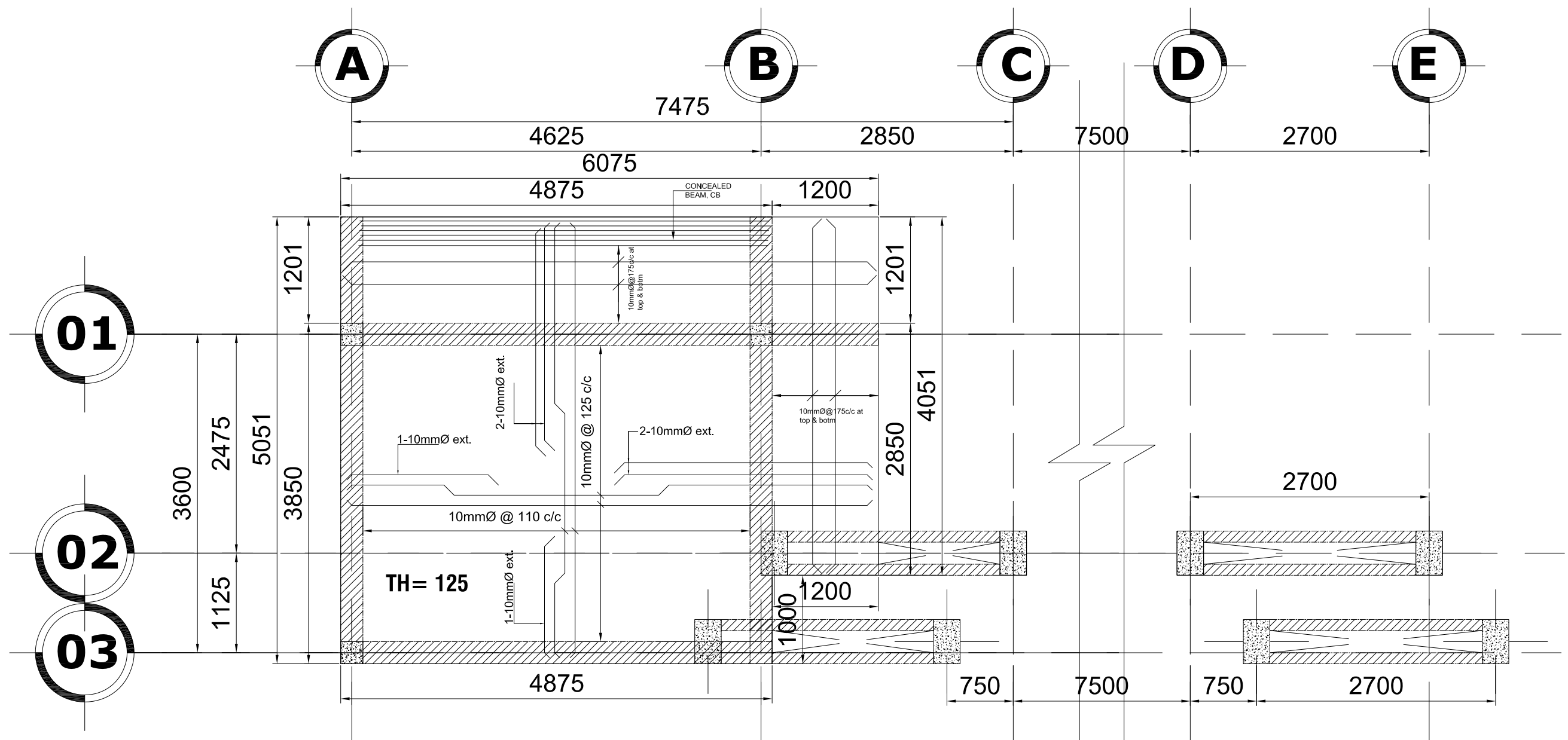
DESIGNED/DRAWN: /
 CHECKED: /
 APPROVED: /

NAME OF PROJECT:
2ND GMS -TOURISM INFRASTRUCTURE FOR INCLUSIVE GROWTH
WORKS PACKAGE -TIIGP2-LAO-W04
Subproject V5: Vang Vieng Solid Waste Management Improvements

TITLE:
 Security Room & Main Entrance: Roof Beam Long & Cross Section
 Reinforcement Details

DRAWING NO.: RAM-LAO-DED-W04-ST-07-7

SHEET NO.: 00 OF 00
 SHEET SIZE: A3
 SCALE:
 REV: R01 DATE: JULY 2020



**Security Room & Main Entrance:
Slab Reinforcement Plan**

Scale :- 1:50

TH= 125

All Binder 10 mmØ @ 175 C/C

LEAD CONSULTANT :



Hannemanns Alle'53
DK-2300 København S
Tlf. +45 5161 1000
Fax +45 5161 1001
www.ramboll.dk

SUB-CONSULTANT:



Waste Concern Consultants
Level- 4, House No.- 120/B, (Masjid Road) Road- 7
New DOHS Mohakhali Dhaka- 1207, Bangladesh
Tlf. + 880-2-48810-841, + 880-2-48810-842
Fax. + 880-2- 9899-486, Email- office@wasteconcern.org
www.wasteconcern.org

CLIENT :



**LAO PEOPLE'S DEMOCRATIC REPUBLIC (LAO PDR)
MINISTRY OF INFORMATION, CULTURE AND TOURISM**

REV.	DATE	DESCRIPTION	DRN
R01	20.07.2020	PRELIMINARY ISSUE	

DESIGNED/DRAWN:

CHECKED:

APPROVED:

NAME OF PROJECT:
**2ND GMS -TOURISM INFRASTRUCTURE FOR INCLUSIVE GROWTH
WORKS PACKAGE -TIIGP2-LAO-W04**

Subproject V5: Vang Vieng Solid Waste Management Improvements

TITLE:
Security Room & Main Entrance: Slab Reinforcement Details

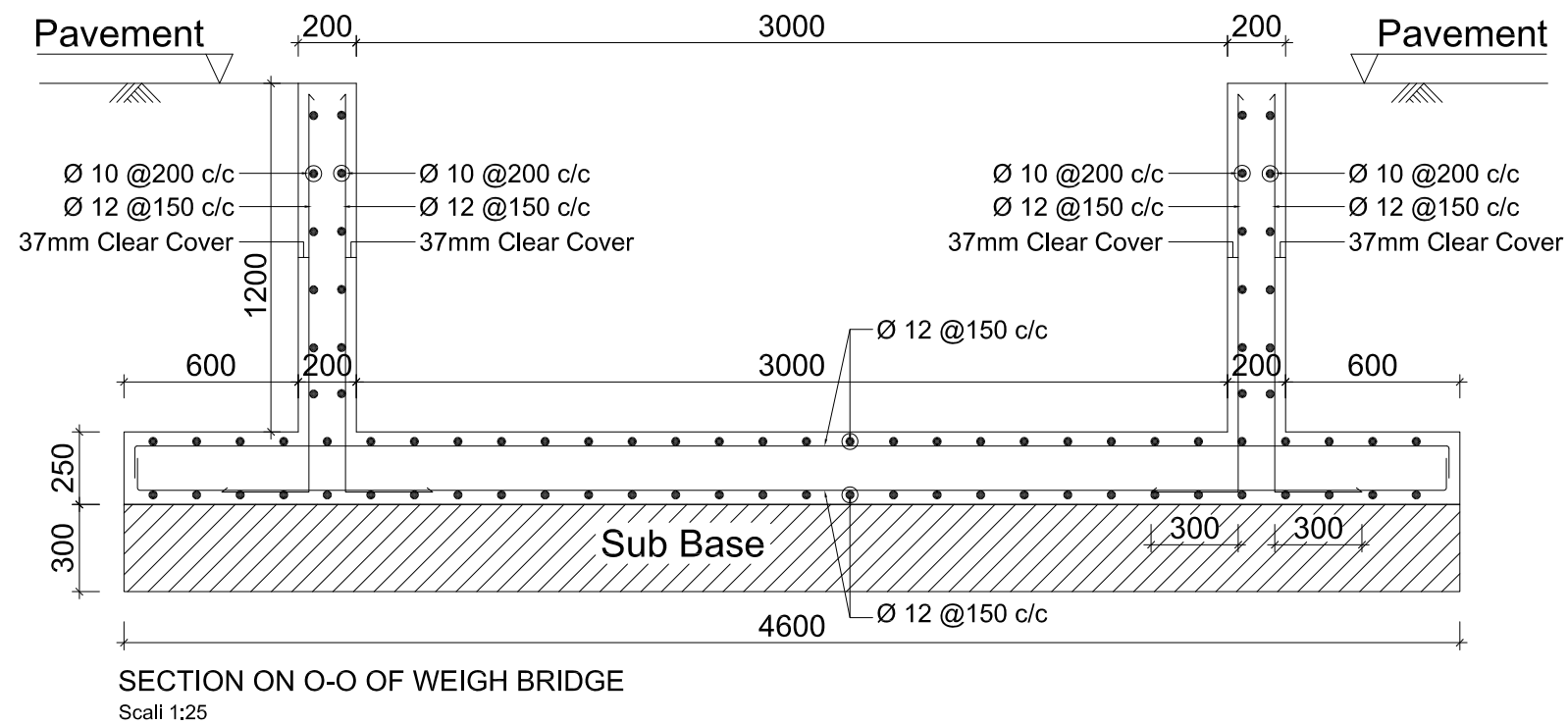
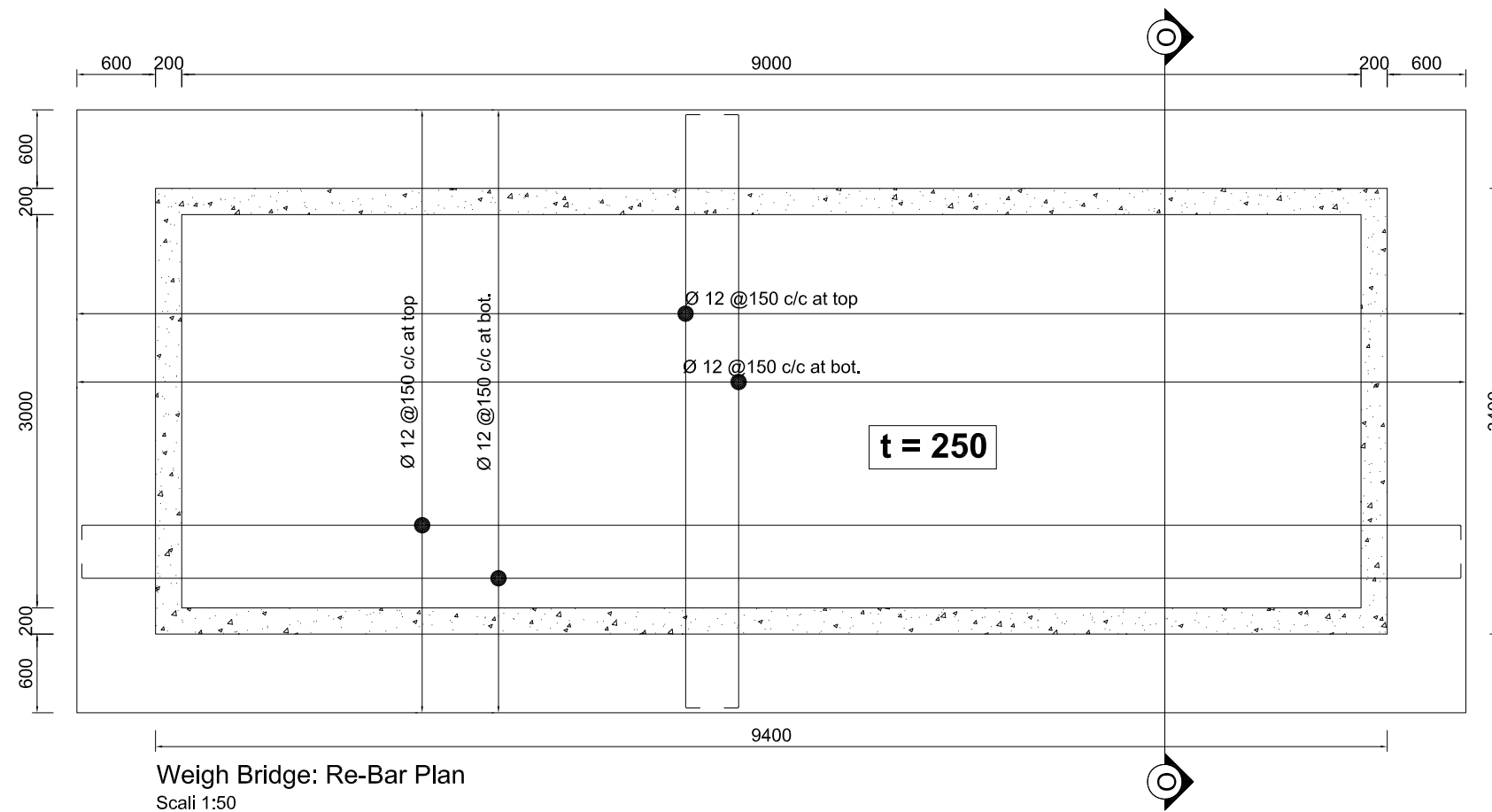
DRAWING NO.: RAM-LAO-DED-W04-ST-07-8

SHEET NO.: 00 OF 00

SHEET SIZE: A3

SCALE:

REV: R01 DATE: JULY 2020



LEAD CONSULTANT :



Hannemanns Alle 53
DK-2300 København S
Tlf. +45 5161 1000
Fax +45 5161 1001
www.ramboll.dk

SUB-CONSULTANT:



Waste Concern Consultants
Level- 4, House No.- 120/B, (Masjid Road) Road- 7
New DOHS Mohakhali Dhaka- 1207, Bangladesh
Tlf. + 880-2-48810-841, + 880-2-48810-842
Fax. + 880-2- 9899-486, Email- office@wasteconcern.org
www.wasteconcern.org

CLIENT :



LAO PEOPLE'S DEMOCRATIC REPUBLIC (LAO PDR)
MINISTRY OF INFORMATION, CULTURE AND TOURISM

REV.	DATE	DESCRIPTION	DRN
R01	20.07.2020	PRELIMINARY ISSUE	

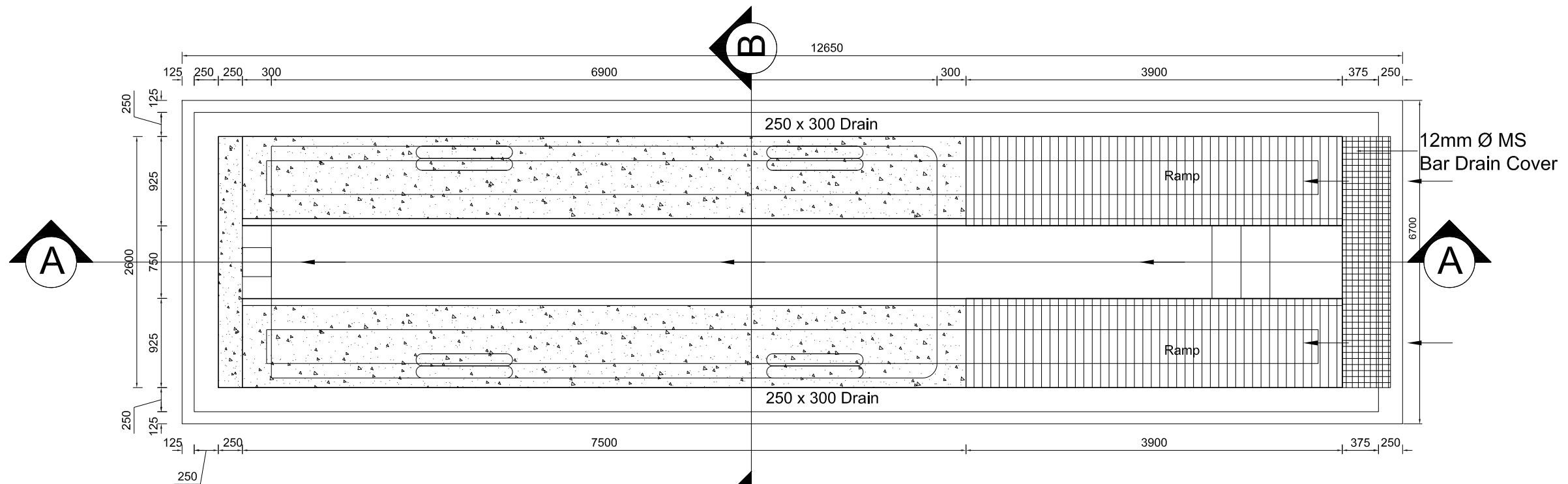
DESIGNED/DRAWN: _____
CHECKED: _____
APPROVED: _____

NAME OF PROJECT:
2ND GMS –TOURISM INFRASTRUCTURE FOR INCLUSIVE GROWTH
WORKS PACKAGE -TIIGP2-LAO-W04
Subproject V5: Vang Vieng Solid Waste Management Improvements

TITLE:
WEIGH BRIDGE: RE-BAR PLAN

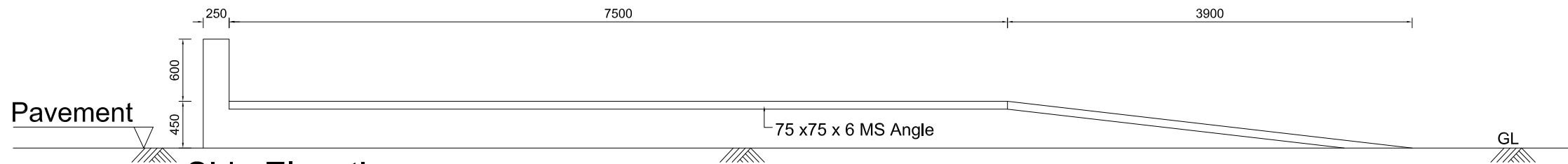
DRAWING NO.: RAM-LAO-DED-W04-ST-08

SHEET NO.: 00 OF 00
SHEET SIZE: A3
SCALE:
REV: R01 DATE: JULY 2020



Vehicle Washing Ramp: Plan

Scale :- 1:50



Side Elevation

Scale :- 1:50

LEAD CONSULTANT :



Hannemanns Alle 53
DK-2300 København S
Tlf. +45 5161 1000
Fax +45 5161 1001
www.ramboll.dk

SUB-CONSULTANT:



Waste Concern Consultants
Level- 4, House No.- 120/B, (Masjid Road) Road- 7
New DOHS Mohakhali Dhaka- 1207, Bangladesh
Tlf. + 880-2-48810-841, + 880-2-48810-842
Fax. + 880-2- 9899-486, Email- office@wasteconcern.org
www.wasteconcern.org

CLIENT :

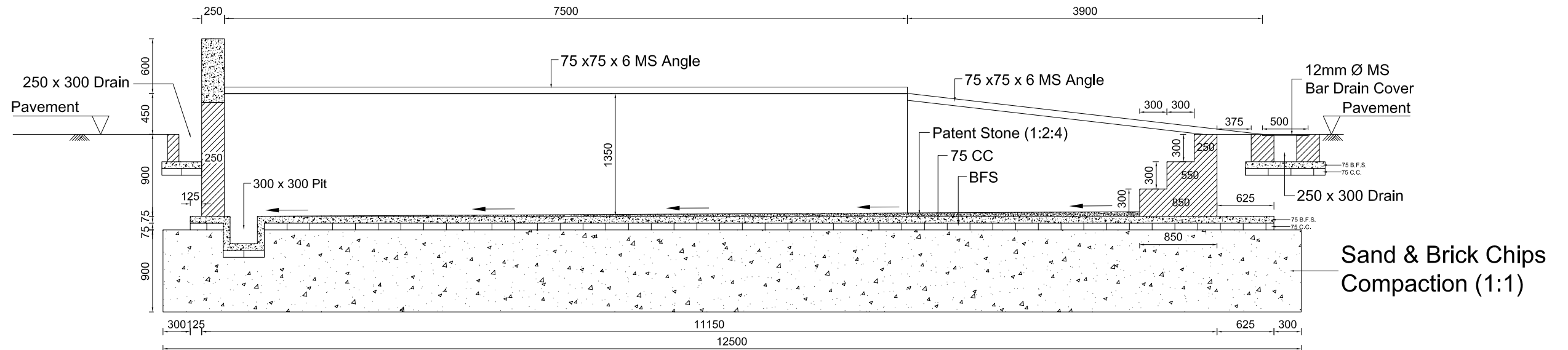


LAO PEOPLE'S DEMOCRATIC REPUBLIC (LAO PDR)
MINISTRY OF INFORMATION, CULTURE AND TOURISM

REV.	DATE	DESCRIPTION	DRN
R01	20.07.2020	PRELIMINARY ISSUE	

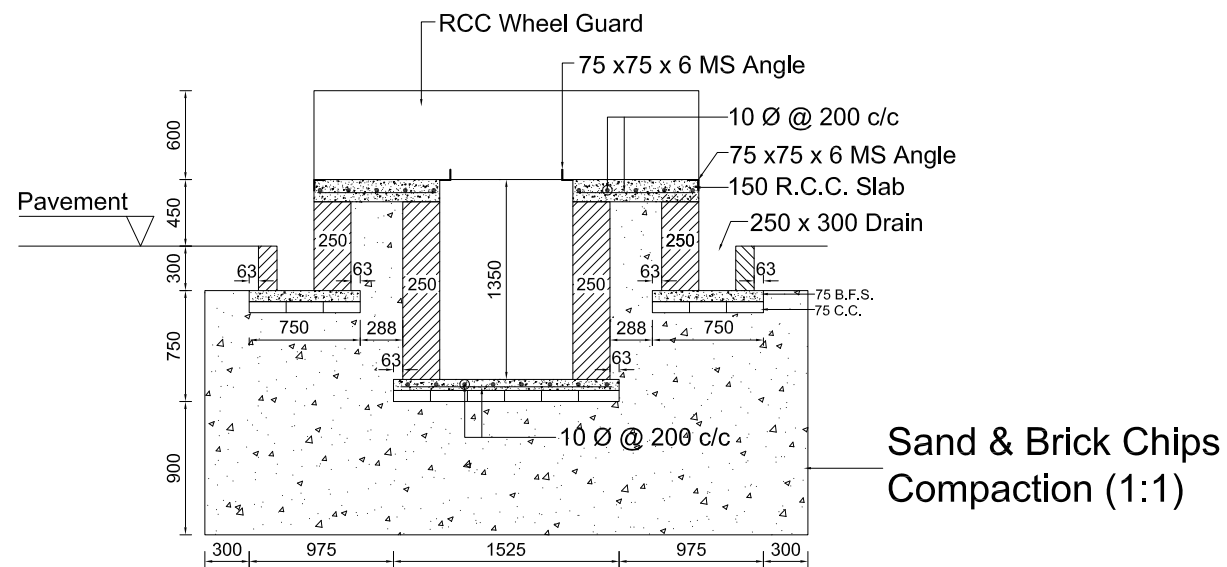
DESIGNED/DRAWN:
CHECKED:
APPROVED:

NAME OF PROJECT:		2ND GMS -TOURISM INFRASTRUCTURE FOR INCLUSIVE GROWTH	
		WORKS PACKAGE -TIIGP2-LAO-W04	
		Subproject V5: Vang Vieng Solid Waste Management Improvements	
TITLE:		Vehicle Washing Ramp: Plan & Elevation	
DRAWING NO.:		RAM-LAO-DED-W04-ST-09-1	
SHEET NO.:	00	OF	00
SHEET SIZE:	A3		
SCALE:			
REV:	R01	DATE:	JULY 2020



Sec. A-A

Scale :- 1:50



Sec. B-B

Scale :- 1:50

LEAD CONSULTANT :



Hannemanns Alle 53
DK-2300 København S
Tlf. +45 5161 1000
Fax +45 5161 1001
www.ramboll.dk

SUB-CONSULTANT:



Waste Concern Consultants
Level- 4, House No.- 120/B, (Masjid Road) Road- 7
New DOHS Mohakhali Dhaka- 1207, Bangladesh
Tlf. + 880-2-48810-841, + 880-2-48810-842
Fax. + 880-2- 9899-486, Email- office@wasteconcern.org
www.wasteconcern.org

CLIENT :

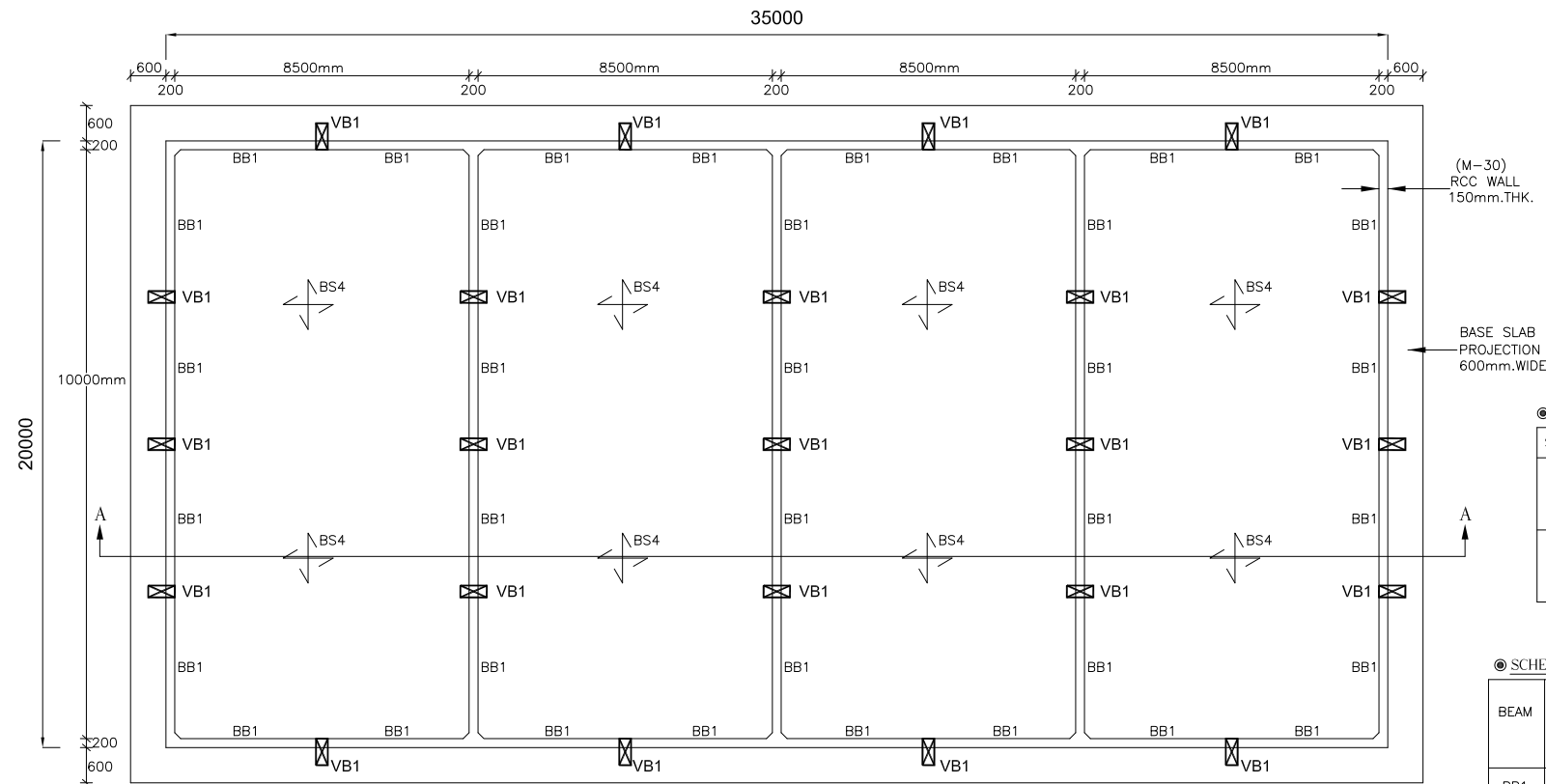


LAO PEOPLE'S DEMOCRATIC REPUBLIC (LAO PDR)
MINISTRY OF INFORMATION, CULTURE AND TOURISM

REV.	DATE	DESCRIPTION	DRN
R01	20.07.2020	PRELIMINARY ISSUE	

DESIGNED/DRAWN:	
CHECKED:	
APPROVED:	

NAME OF PROJECT:		2ND GMS -TOURISM INFRASTRUCTURE FOR INCLUSIVE GROWTH	
		WORKS PACKAGE -TIIGP2-LAO-W04	
		Subproject V5: Vang Vieng Solid Waste Management Improvements	
TITLE:		Vehicle Washing Ramp: Section - A-A & B-B	
DRAWING NO.:		RAM-LAO-DED-W04-ST-09-2	
SHEET NO.:	00	OF	00
SHEET SIZE:		A3	
SCALE:			
REV:	R01	DATE:	JULY 2020



VB1 = VERTICAL BEAM
 VB1 = 200 X 450
 VERT.R/F = 4 X 12Ø (INNER FACE)
 = 4 X 12Ø (OUTER FACE)
 STIRRUPS = 8Ø@100c/c

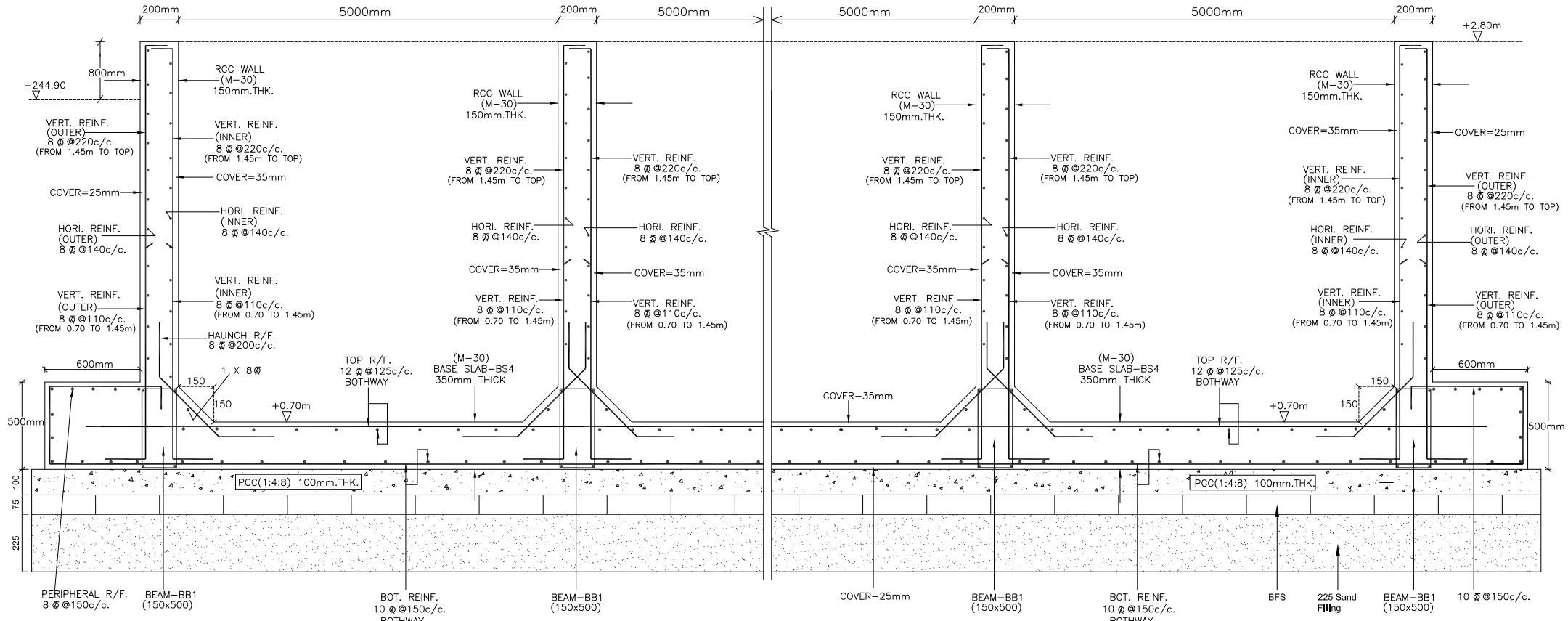
◎ SCHEDULE OF SLABS.

SLAB	THICK	MAIN REINFORCEMENT	DIST. REINF.
BS4	350mm	12 Ø@125 c/c. AT TOP 10 Ø@150 c/c. AT BOTTOM.	12 Ø@125c/c. (TOP) 10 Ø@150c/c. (BOT)

◎ SCHEDULE OF BEAMS.

BEAM	SIZE	BOTTOM REINF.		EXTRA BOT REINF. UPTO L/3		TOP REINF.		EXTRA TOP REINF. (0.7L)		STIRRUPS 8Ø@ --- c/c.
		NO	Ø	NO	Ø	NO	Ø	NO	Ø	
BB1	150 X 500	2	10	=	=	2	10	=	=	8Ø@150

KEY PLAN FOR BASE SLAB OF PLANTED DRYING BED (PDB)



SECTION A-A.
(NOT TO SCALE)

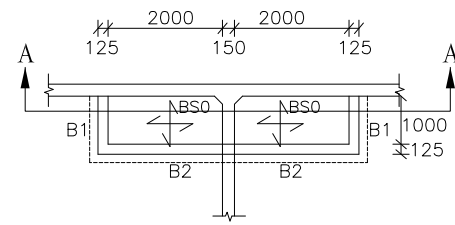
LEAD CONSULTANT :
RAMBOLL
 Hannemanns Alle 53
 DK-2300 København S
 Tlf. +45 5161 1000
 Fax +45 5161 1001
 www.ramboll.dk

SUB-CONSULTANT:
Waste Concern Consultants
 Level- 4, House No.- 120/B, (Masjid Road) Road- 7
 New DOHS Mohakhali Dhaka- 1207, Bangladesh
 Tlf. + 880-2-48810-841, + 880-2-48810-842
 Fax. + 880-2- 9899-486, Email- office@wasteconcern.org
 www.wasteconcern.org

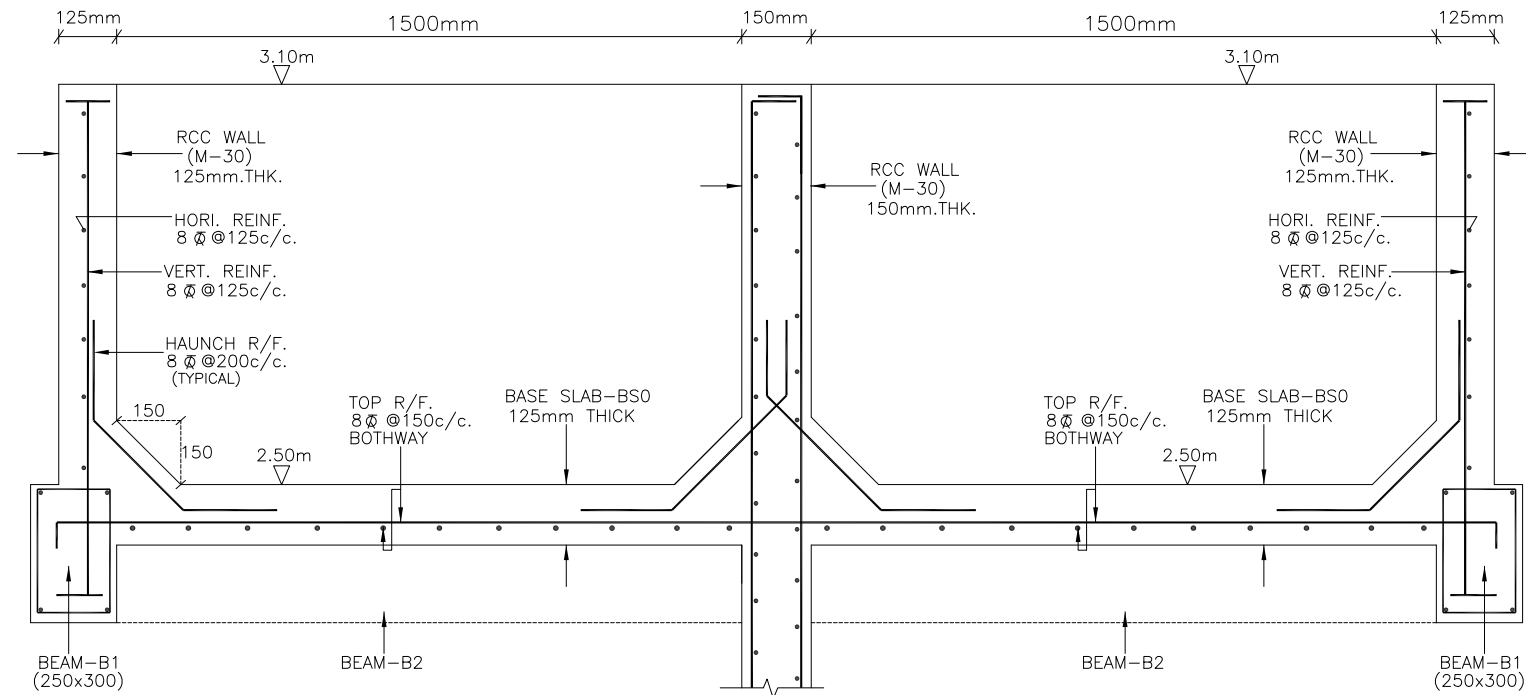
CLIENT :
LAOS
 LAO PEOPLE'S DEMOCRATIC REPUBLIC (LAO PDR)
 MINISTRY OF INFORMATION, CULTURE AND TOURISM

REV.	DATE	DESCRIPTION	DRN
R01	20.07.2020	PRELIMINARY ISSUE	

DESIGNED/DRAWN: _____
 CHECKED: _____
 APPROVED: _____
 NAME OF PROJECT:
**2ND GMS -TOURISM INFRASTRUCTURE FOR INCLUSIVE GROWTH
 WORKS PACKAGE -TIIGP2-LAO-W04
 Subproject V5: Vang Vieng Solid Waste Management Improvements**
 TITLE:
Structural Details: Planted Drying Bed (PDB)
 SHEET NO.: 00 OF 00
 SHEET SIZE: A3
 SCALE:
 DRAWING NO.: RAM-LAO-DED-W04-ST-10-1
 REV: R01
 DATE: JULY 2020



KEY PLAN - SCREEN CHAMBER
PLANTED DRYING BED



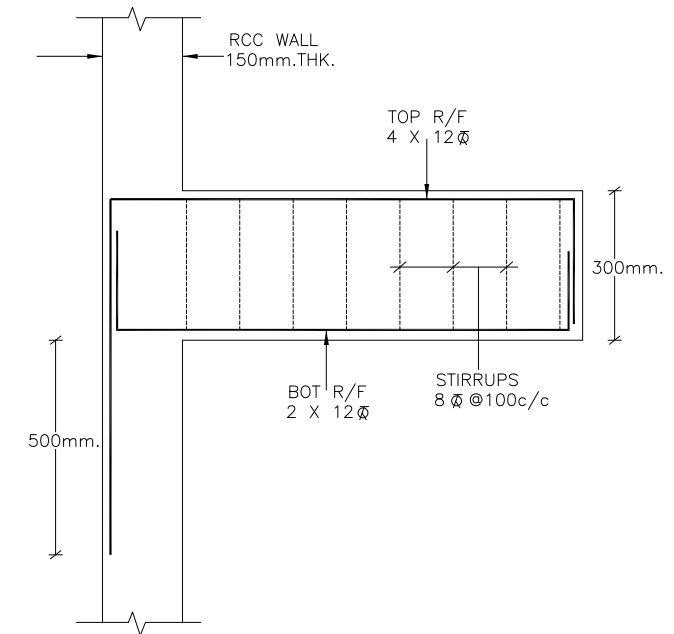
SECTION A-A

● SCHEDULE OF BEAMS.

BEAM	SIZE	BOTTOM REINF.		EXTRA BOT REINF. UPTO L/3		TOP REINF.		EXTRA TOP REINF (0.7L)		STIRRUPS 8 Ø @ --- c/c.	REMARK
		NO	Ø	NO	Ø	NO	Ø	NO	Ø		
B1	250 X 300	2	12	=	=	4	12	=	=	8 Ø @ 100	BRACKET BEAM
B2	250 X 300	3	12	=	=	3	12	=	=	8 Ø @ 150	

● SCHEDULE OF SLABS.

SLAB	THICK	MAIN REINFORCEMENT	DIST. REINF.
BS0	125mm	8 Ø @ 150 c/c.	8 Ø @ 150 c/c.



SECTION FOR BRACKET BEAM B1 (250 X 300)

LEAD CONSULTANT :



Hannemanns Alle 53
DK-2300 København S
Tlf. +45 5161 1000
Fax +45 5161 1001
www.ramboll.dk

SUB-CONSULTANT:



Waste Concern Consultants
Level- 4, House No.- 120/B, (Masjid Road) Road- 7
New DOHS Mohakhali Dhaka- 1207, Bangladesh
Tlf. + 880-2-48810-841, + 880-2-48810-842
Fax. + 880-2- 9899-486, Email- office@wasteconcern.org
www.wasteconcern.org

CLIENT :



LAO PEOPLE'S DEMOCRATIC REPUBLIC (LAO PDR)
MINISTRY OF INFORMATION, CULTURE AND TOURISM

REV.	DATE	DESCRIPTION	DRN
R01	20.07.2020	PRELIMINARY ISSUE	

DESIGNED/DRAWN:
CHECKED:
APPROVED:

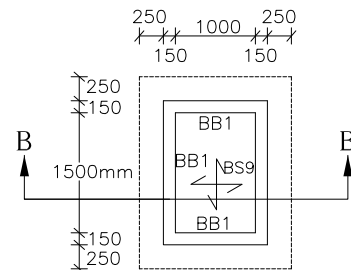
NAME OF PROJECT:
**2ND GMS -TOURISM INFRASTRUCTURE FOR INCLUSIVE GROWTH
WORKS PACKAGE -TIIGP2-LAO-W04
Subproject V5: Vang Vieng Solid Waste Management Improvements**

TITLE:
Structural Details: Screen Chamber (PDB)

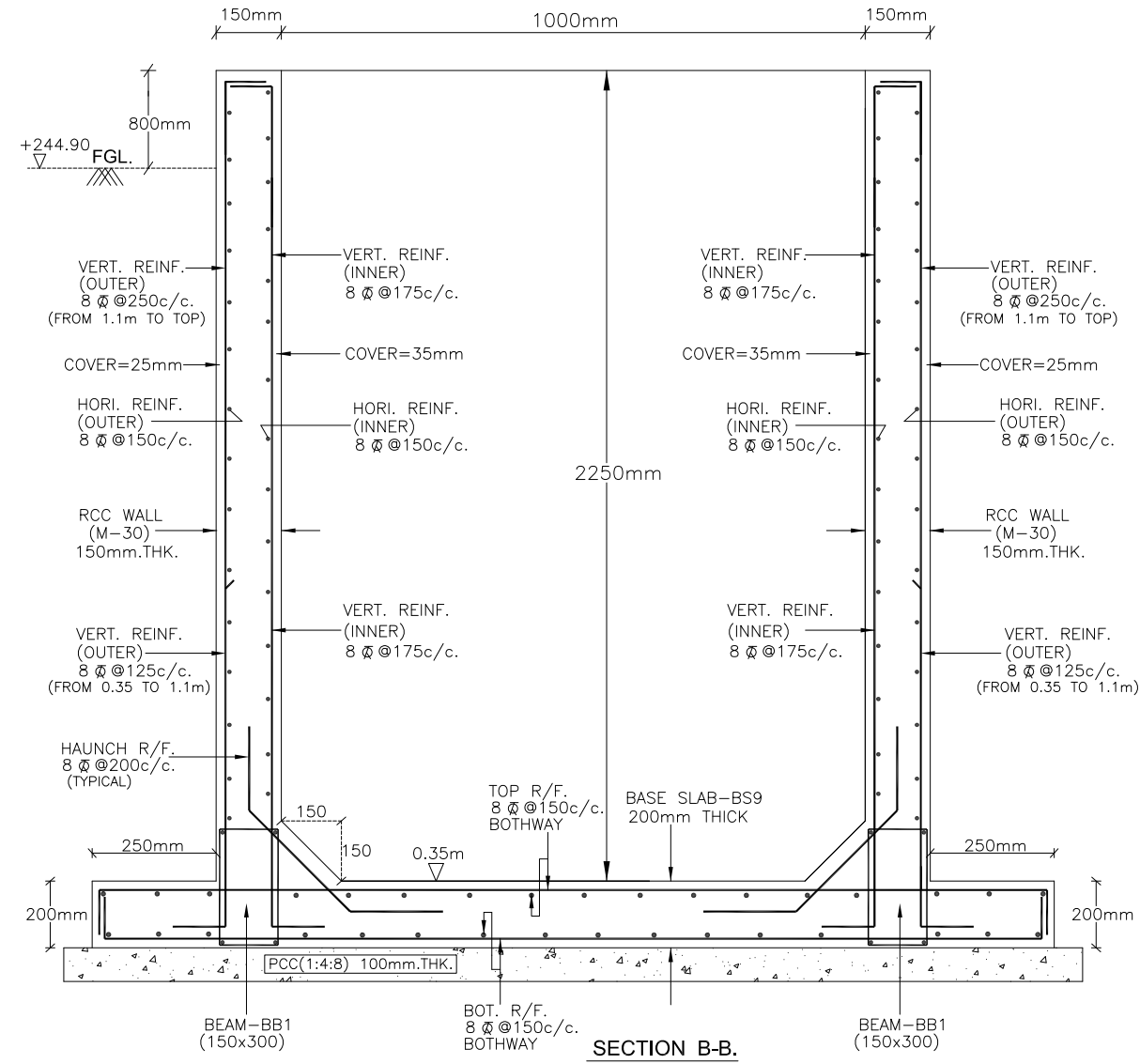
DRAWING NO.: RAM-LAO-DED-W04-ST-10-2

SHEET NO.: 00 OF 00
SCALE:
SHEET SIZE: A3

REV: R01
DATE: JULY 2020



KEY PLAN - REGISTER - R1 TO R4.



● SCHEDULE OF BEAMS.

BEAM	SIZE	BOTTOM REINF.		EXTRA BOT REINF. UPTO L/3		TOP REINF.		EXTRA TOP REINF (0.7L)		STIRRUPS 8 Ø@ --- c/c.
		NO	Ø	NO	Ø	NO	Ø	NO	Ø	
BB1	150 X 300	2	10	=	=	2	10	=	=	8 Ø@150

● SCHEDULE OF SLABS.

SLAB	THICK	MAIN REINFORCEMENT		DIST. REINF.	
BS9	200mm	8 Ø@ 150 c/c. AT TOP		8 Ø@150c/c. (TOP)	
		8 Ø@ 150 c/c. AT BOTTOM.		8 Ø@150c/c. (BOT)	
BS10	150mm	8 Ø@ 150 c/c. AT TOP		8 Ø@150c/c. (TOP)	
		8 Ø@ 150 c/c. AT BOTTOM.		8 Ø@150c/c. (BOT)	

LEAD CONSULTANT :



Hannemanns Alle'53
DK-2300 København S
Tlf. +45 5161 1000
Fax +45 5161 1001
www.ramboll.dk

SUB-CONSULTANT:



Waste Concern Consultants
Level- 4, House No.- 120/B, (Masjid Road) Road- 7
New DOHS Mohakhali Dhaka- 1207, Bangladesh
Tlf. + 880-2-48810-841, + 880-2-48810-842
Fax. + 880-2- 9899-486, Email- office@wasteconcern.org
www.wasteconcern.org

CLIENT :



LAO PEOPLE'S DEMOCRATIC REPUBLIC (LAO PDR)
MINISTRY OF INFORMATION, CULTURE AND TOURISM

REV.	DATE	DESCRIPTION	DRN
R01	20.07.2020	PRELIMINARY ISSUE	

DESIGNED/DRAWN:	
CHECKED:	
APPROVED:	

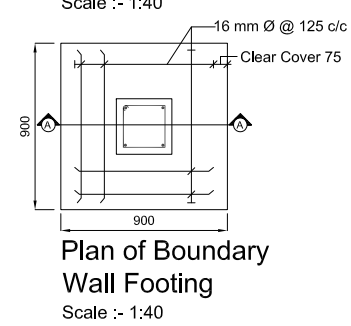
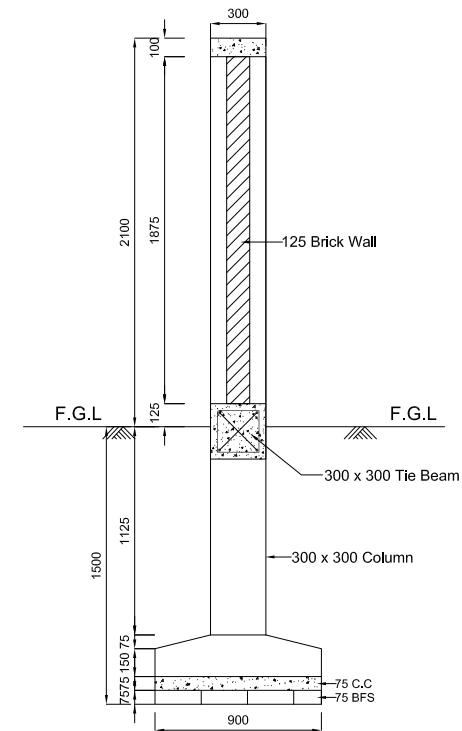
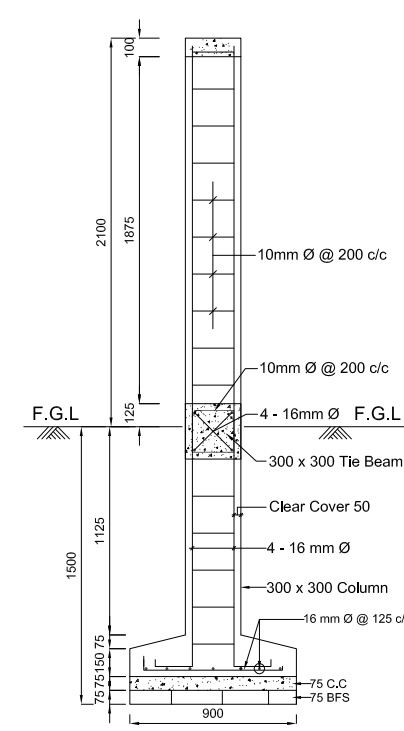
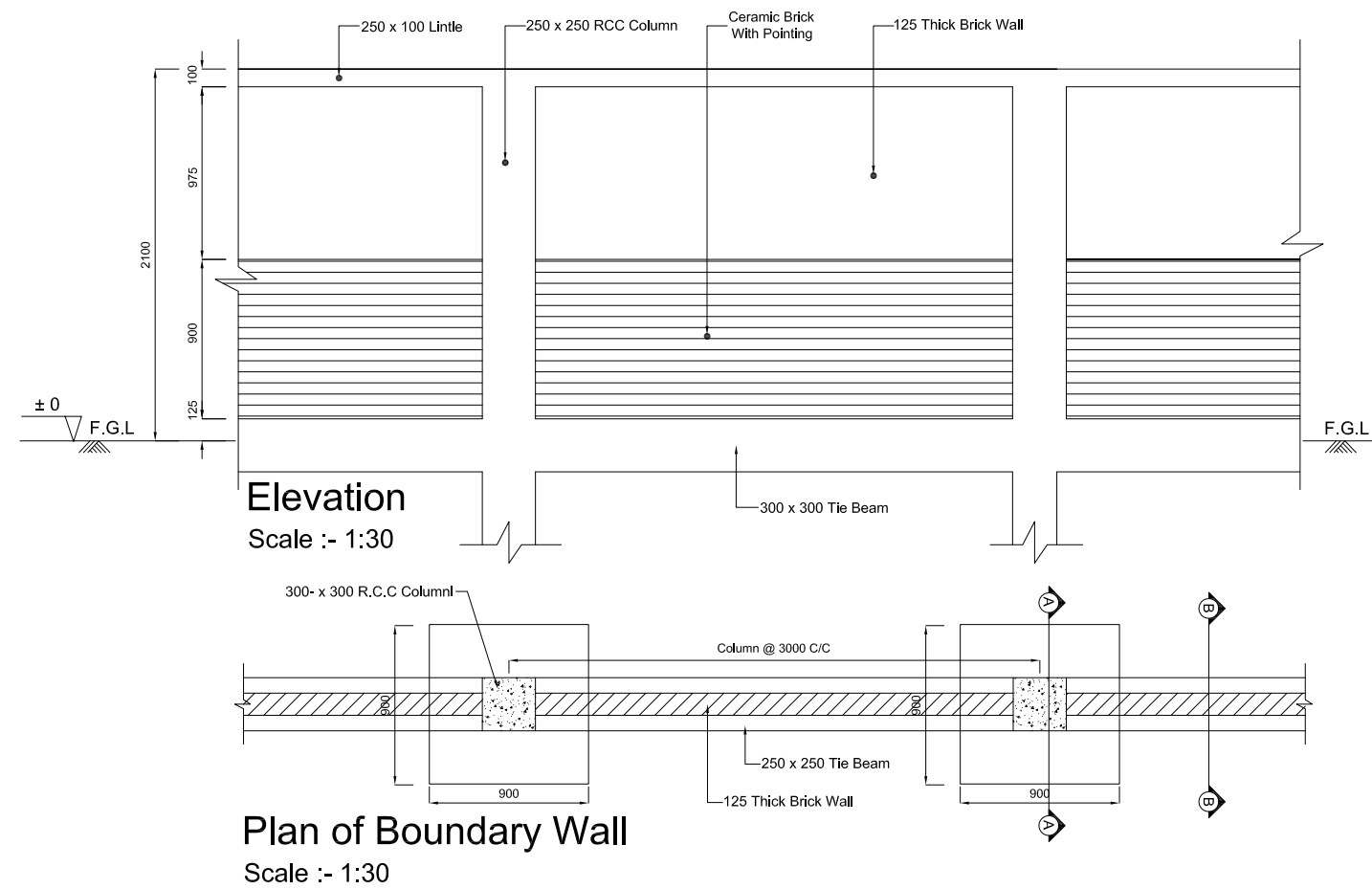
NAME OF PROJECT:
2ND GMS -TOURISM INFRASTRUCTURE FOR INCLUSIVE GROWTH
WORKS PACKAGE -TIIGP2-LAO-W04
Subproject V5: Vang Vieng Solid Waste Management Improvements

TITLE:
Structural Details: Register R1 - R4 (PDB)

DRAWING NO.: RAM-LAO-DED-W04-ST-10-3

SHEET NO.: 00 OF 00
SHEET SIZE: A3

SCALE:
REV: R01 DATE: JULY 2020



LEAD CONSULTANT :



Hannemanns Alle 53
DK-2300 København S
Tlf. +45 5161 1000
Fax +45 5161 1001
www.ramboll.dk

SUB-CONSULTANT:



Waste Concern Consultants

Level- 4, House No.- 120/B, (Masjid Road) Road- 7
New DOHS Mohakhali Dhaka- 1207, Bangladesh
Tlf. + 880-2-48810-841, + 880-2-48810-842
Fax. + 880-2- 9899-486, Email- office@wasteconcern.org
www.wasteconcern.org

CLIENT :



LAO PEOPLE'S DEMOCRATIC REPUBLIC (LAO PDR)
MINISTRY OF INFORMATION, CULTURE AND TOURISM

REV.	DATE	DESCRIPTION	DRN
R01	20.07.2020	PRELIMINARY ISSUE	

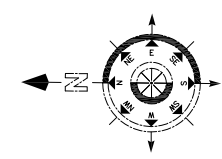
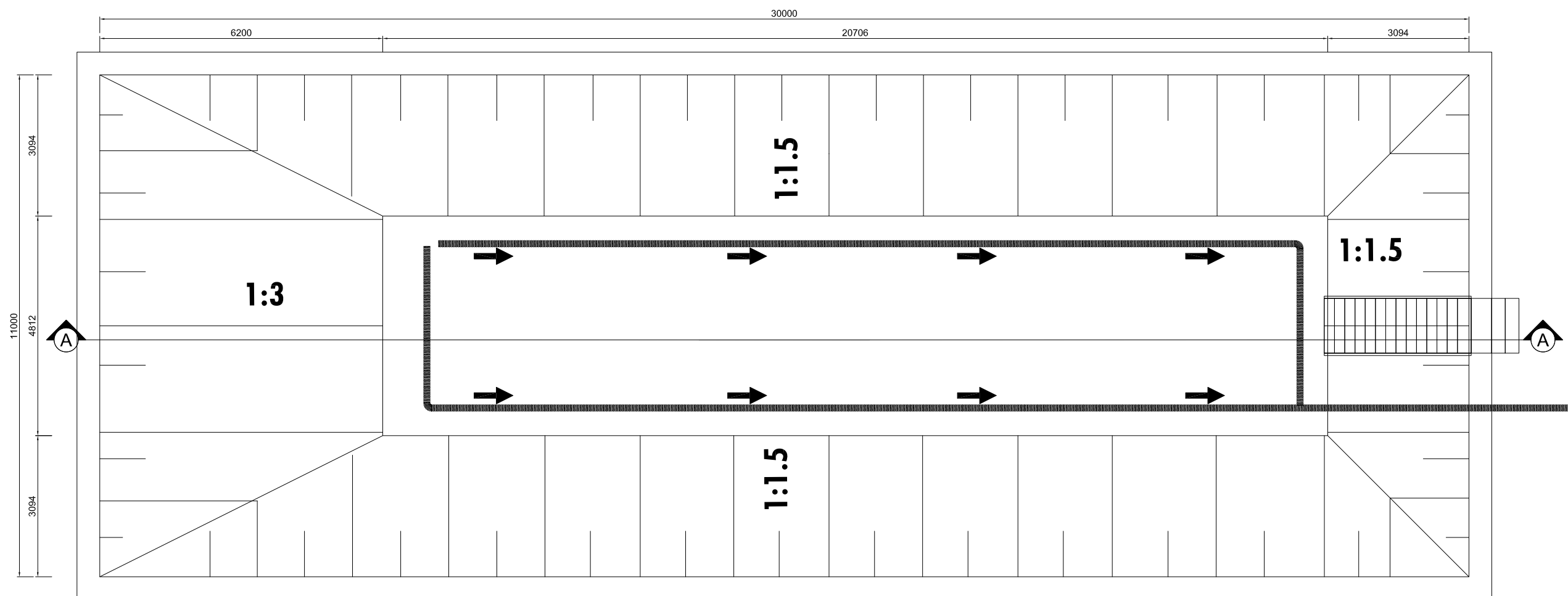
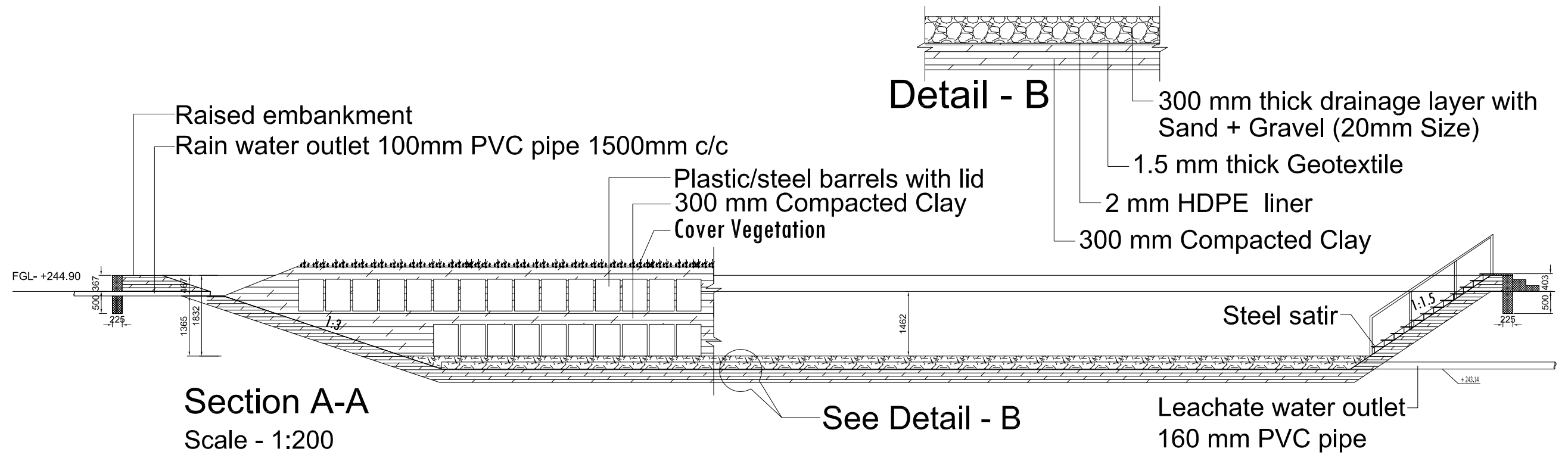
DESIGNED/DRAWN: /
CHECKED: /
APPROVED: /

NAME OF PROJECT:
2ND GMS -TOURISM INFRASTRUCTURE FOR INCLUSIVE GROWTH
WORKS PACKAGE -TIIGP2-LAO-W04
Subproject V5: Vang Vieng Solid Waste Management Improvements

TITLE:
Boundary Wall: Plan, Elevation & Section Details

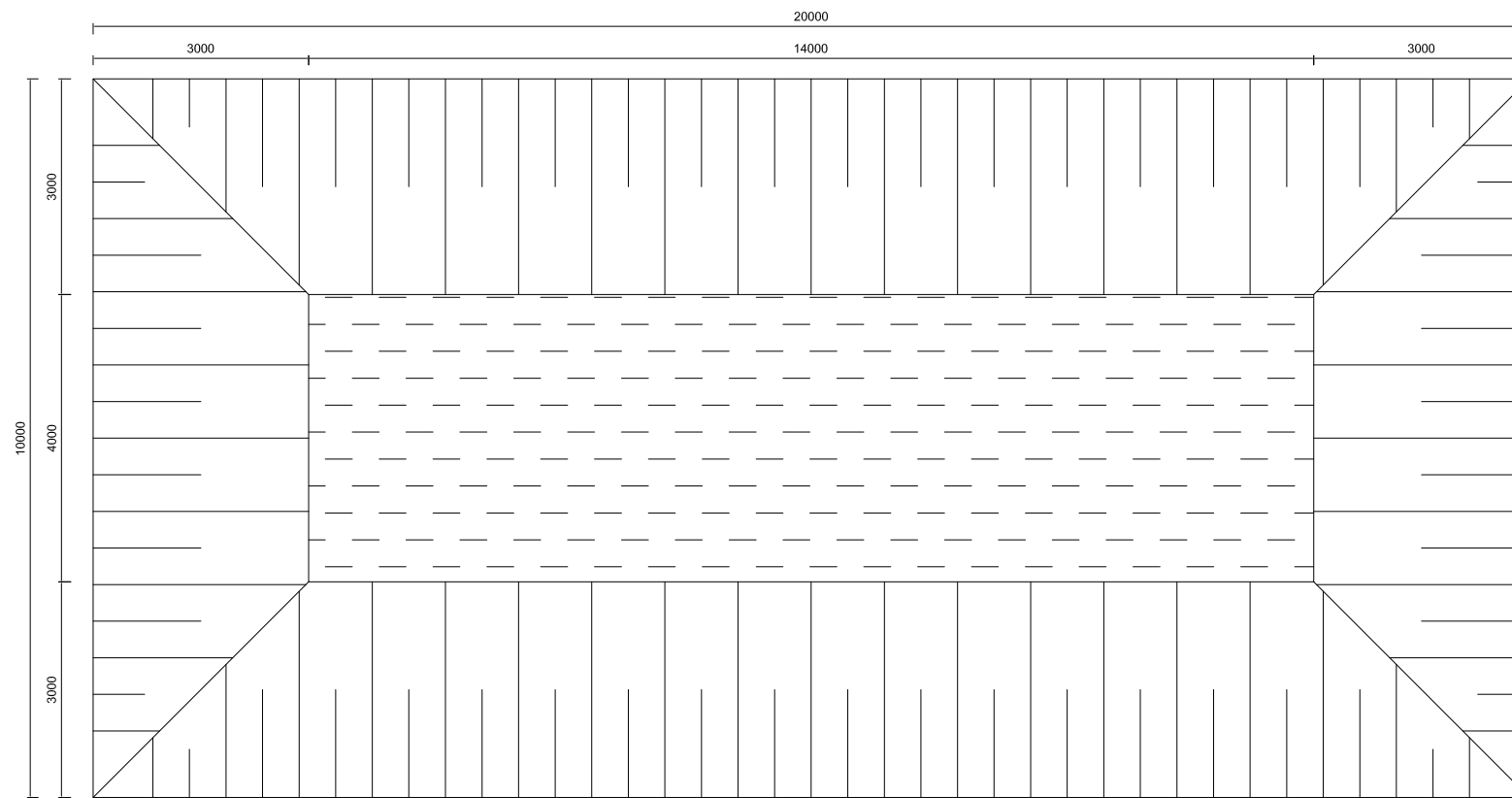
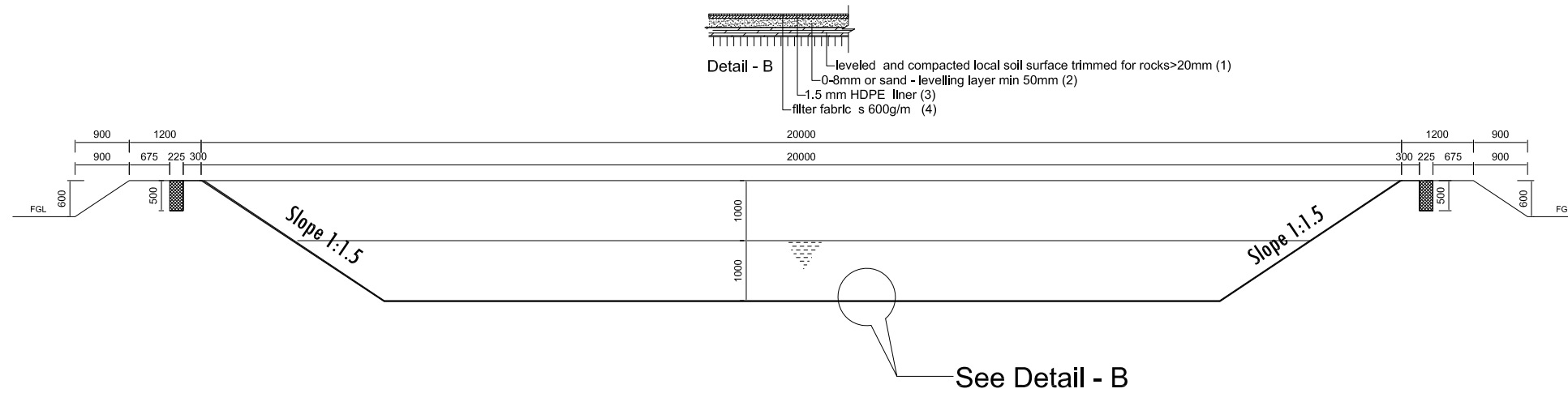
DRAWING NO.: RAM-LAO-DED-W04-ST-11

SHEET NO.: 00 OF 00
SHEET SIZE: A3
SCALE: /
REV: R01
DATE: JULY 2020



Secure Landfill Hazardous Waste: Plan
Scale - 1:100

LEAD CONSULTANT : Hannemanns Alle 53 DK-2300 København S Tlf. +45 5161 1000 Fax +45 5161 1001 www.ramboll.dk	SUB-CONSULTANT: Waste Concern Consultants Level- 4, House No.- 120/B, (Masjid Road) Road- 7 New DOHS Mohakhali Dhaka- 1207, Bangladesh Tlf. + 880-2-48810-841, + 880-2-48810-842 Fax. + 880-2- 9899-486, Email- office@wasteconcern.org www.wasteconcern.org	CLIENT : LAOS LAO PEOPLE'S DEMOCRATIC REPUBLIC (LAO PDR) MINISTRY OF INFORMATION, CULTURE AND TOURISM	DESIGNED/DRAWN: ---	NAME OF PROJECT: 2ND GMS –TOURISM INFRASTRUCTURE FOR INCLUSIVE GROWTH WORKS PACKAGE -TIIGP2-LAO-W04 Subproject V5: Vang Vieng Solid Waste Management Improvements									
			CHECKED: ---	TITLE: Secure Landfill Hazardous Waste: Plan	SHEET NO.: 00 OF 00	SHEET SIZE: A3							
			APPROVED: ---	DRAWING NO.: RAM-LAO-DED-W04-ST-13	SCALE: ---								
			<table border="1"> <thead> <tr> <th>REV.</th> <th>DATE</th> <th>DESCRIPTION</th> <th>DRN</th> </tr> </thead> <tbody> <tr> <td>R01</td> <td>20.07.2020</td> <td>PRELIMINARY ISSUE</td> <td></td> </tr> </tbody> </table>	REV.	DATE	DESCRIPTION	DRN	R01	20.07.2020	PRELIMINARY ISSUE		REV: R01	DATE: JULY 2020
REV.	DATE	DESCRIPTION	DRN										
R01	20.07.2020	PRELIMINARY ISSUE											



Treated Water Pond for Reuse:
Plan & Section A-A
 Scale - 1:100



LEAD CONSULTANT :



Hannemanns Alle 53
 DK-2300 København S
 Tlf. +45 5161 1000
 Fax +45 5161 1001
 www.ramboll.dk

SUB-CONSULTANT:



Waste Concern Consultants
 Level- 4, House No.- 120/B, (Masjid Road) Road- 7
 New DOHS Mohakhali Dhaka- 1207, Bangladesh
 Tlf. + 880-2-48810-841, + 880-2-48810-842
 Fax. + 880-2- 9899-486, Email- office@wasteconcern.org
 www.wasteconcern.org

CLIENT :

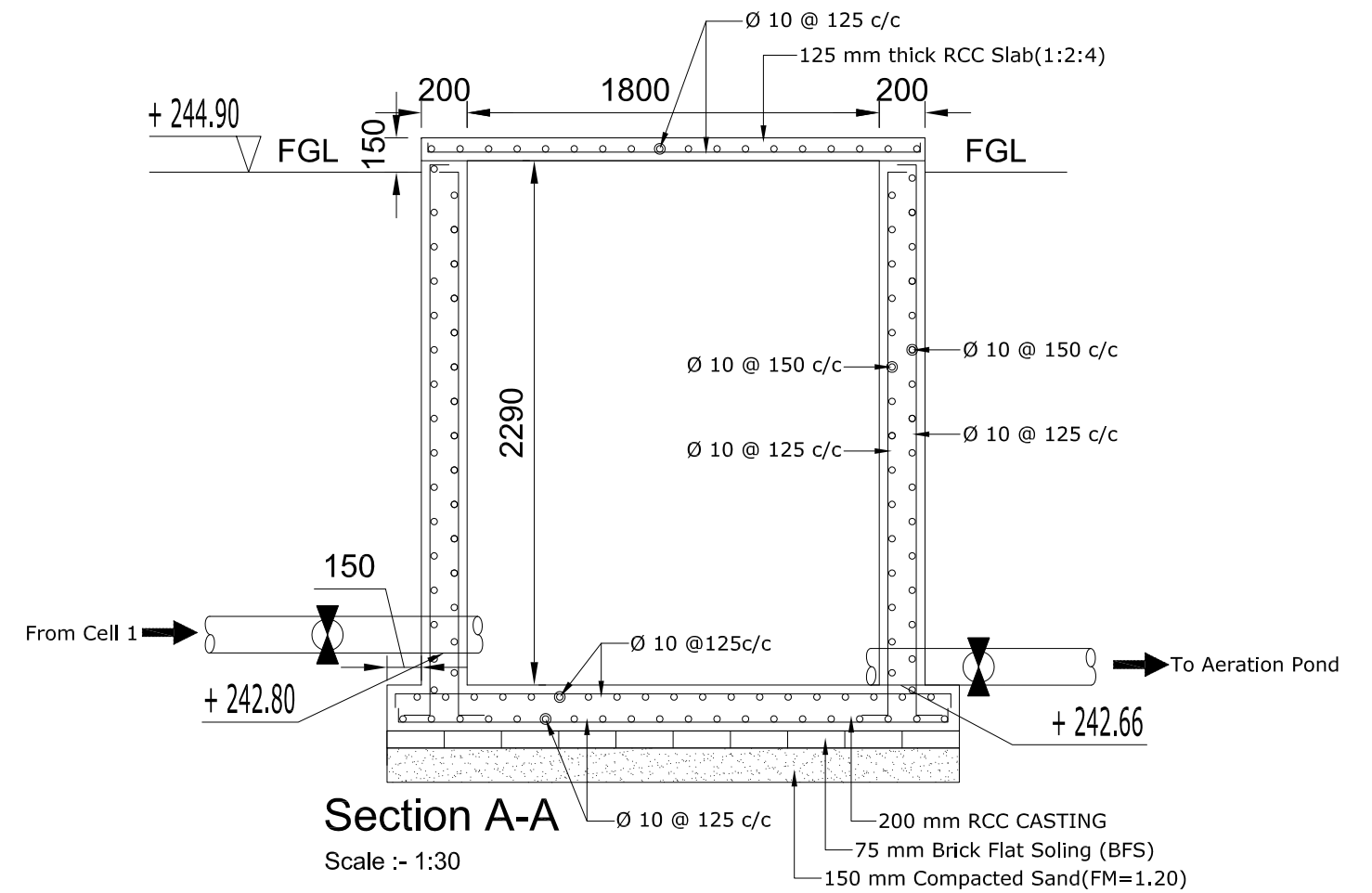
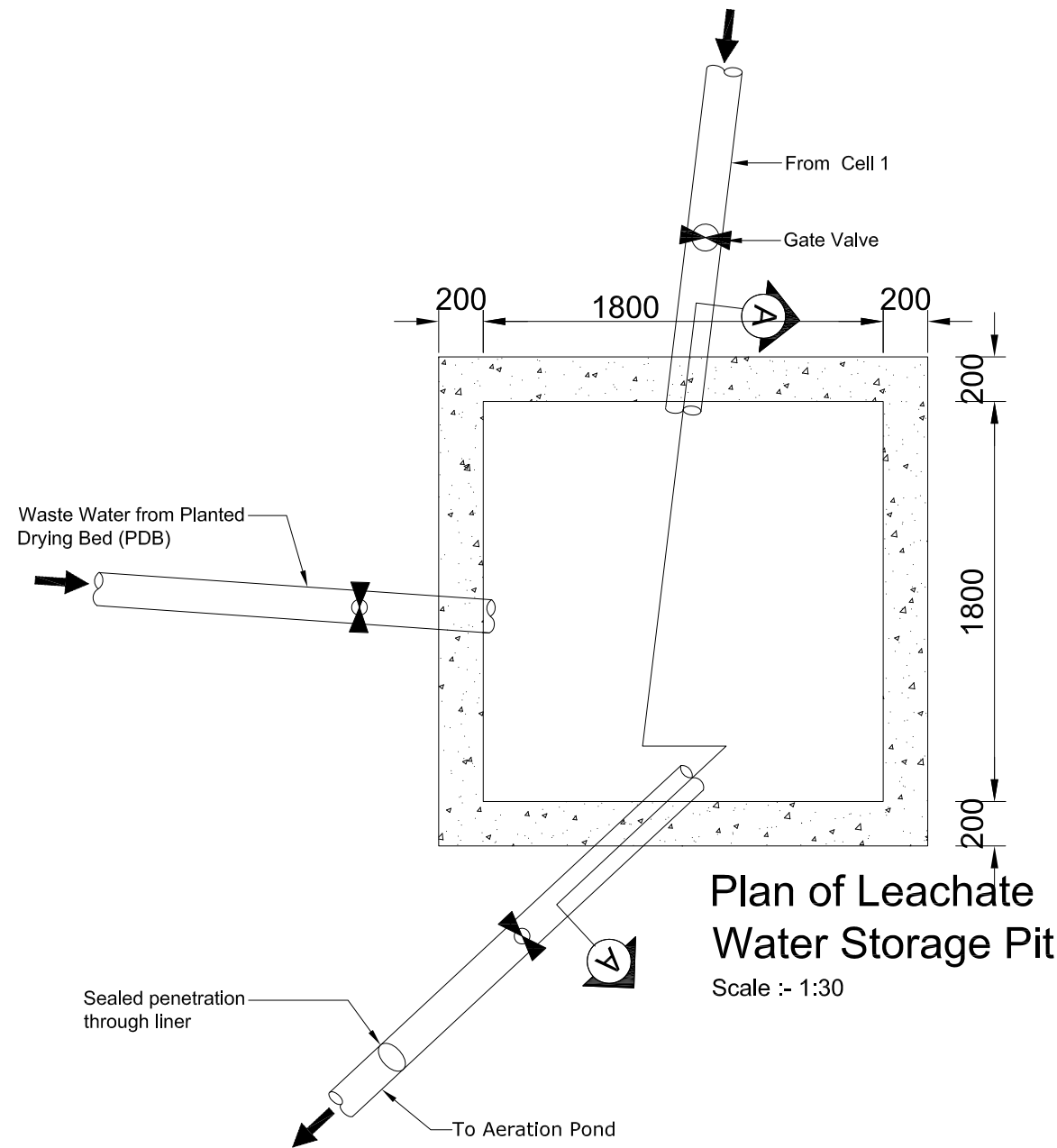


LAO PEOPLE'S DEMOCRATIC REPUBLIC (LAO PDR)
MINISTRY OF INFORMATION, CULTURE AND TOURISM

REV.	DATE	DESCRIPTION	DRN
R01	20.07.2020	PRELIMINARY ISSUE	

DESIGNED/DRAWN:	---
CHECKED:	---
APPROVED:	---

NAME OF PROJECT:		2ND GMS -TOURISM INFRASTRUCTURE FOR INCLUSIVE GROWTH	
		WORKS PACKAGE -TIIGP2-LAO-W04	
		Subproject V5: Vang Vieng Solid Waste Management Improvements	
TITLE:		Treated Water Pond for Reuse: Plan & Section A-A	
DRAWING NO.:		RAM-LAO-DED-W04-ST-14	
SHEET NO.:	00	OF	00
SHEET SIZE:	A3		
SCALE:			
REV:	R01	DATE:	JULY 2020



LEAD CONSULTANT :



Hannemanns Alle 53
DK-2300 København S
Tlf. +45 5161 1000
Fax +45 5161 1001
www.ramboll.dk

SUB-CONSULTANT:



Waste Concern Consultants
Level- 4, House No.- 120/B, (Masjid Road) Road- 7
New DOHS Mohakhali Dhaka- 1207, Bangladesh
Tlf. + 880-2-48810-841, + 880-2-48810-842
Fax. + 880-2- 9899-486, Email- office@wasteconcern.org
www.wasteconcern.org

CLIENT :



LAO PEOPLE'S DEMOCRATIC REPUBLIC (LAO PDR)
MINISTRY OF INFORMATION, CULTURE AND TOURISM

REV.	DATE	DESCRIPTION	DRN
R01	20.07.2020	PRELIMINARY ISSUE	

DESIGNED/DRAWN: /...
CHECKED: /...
APPROVED: /...

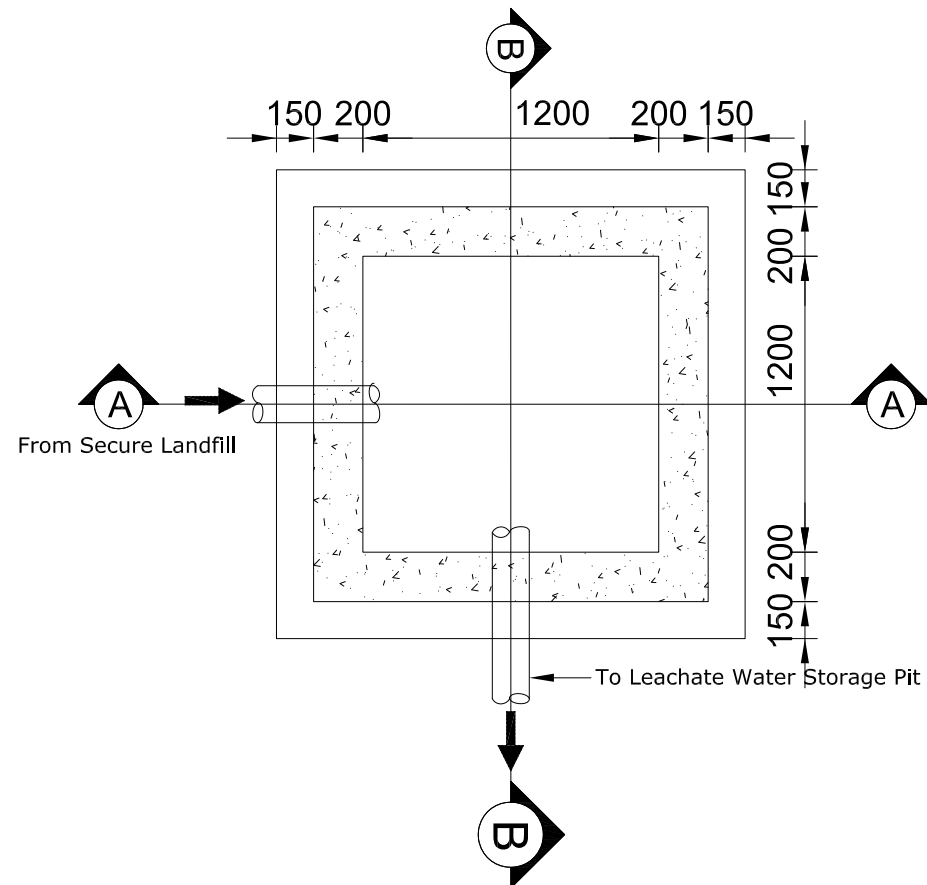
NAME OF PROJECT:
2ND GMS -TOURISM INFRASTRUCTURE FOR INCLUSIVE GROWTH
WORKS PACKAGE -TIIGP2-LAO-W04
Subproject V5: Vang Vieng Solid Waste Management Improvements

TITLE:
Leachate Water Storage Pit: Plan & Section A-A

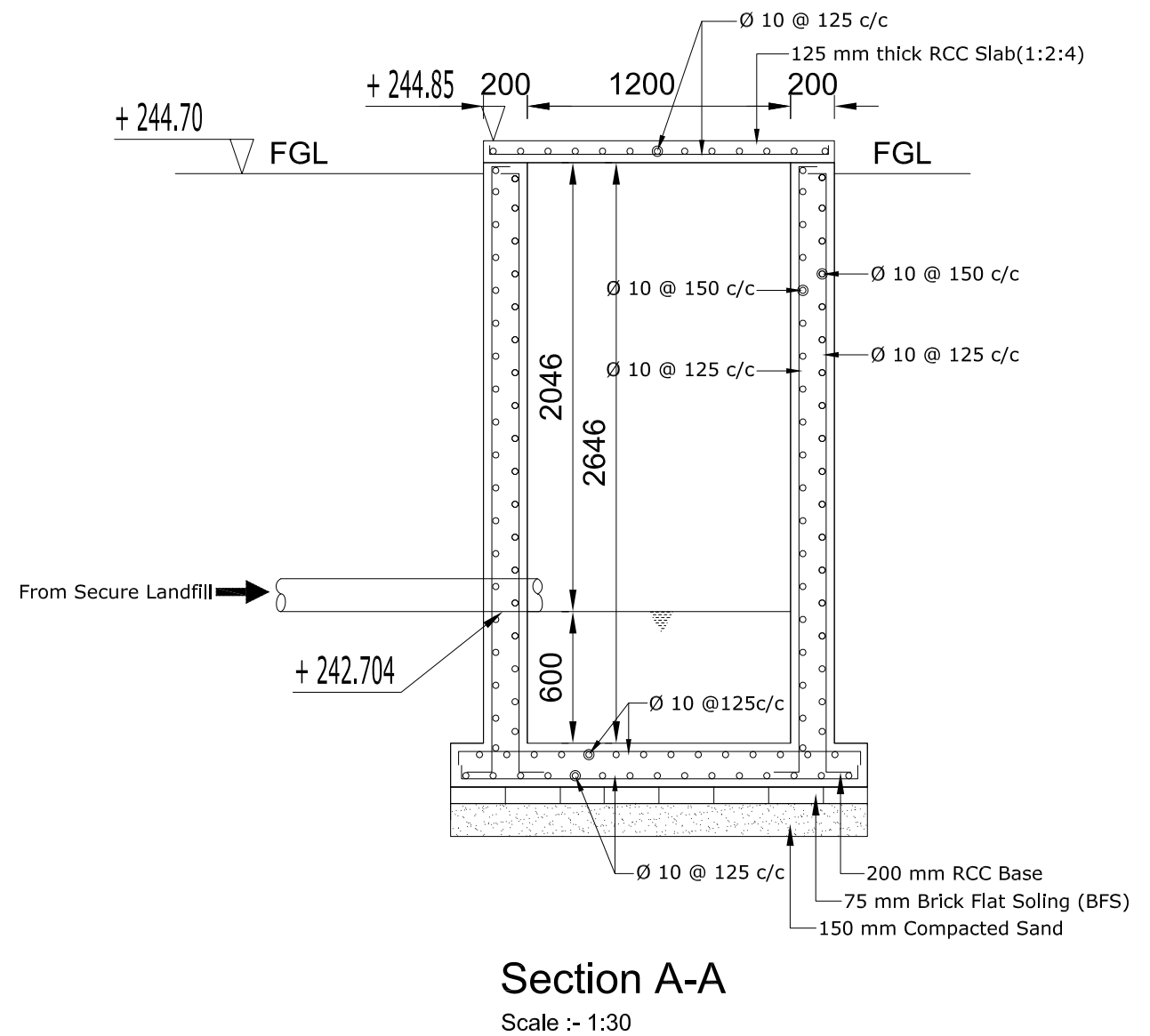
DRAWING NO.: RAM-LAO-DED-W04-ST-14

SHEET NO.: 00 OF 00
SCALE: A3

REV: R01
DATE: JULY 2020



Plan of Inspection Pit for Secure Landfill
Scale :- 1:30



Section A-A
Scale :- 1:30

LEAD CONSULTANT :



Hannemanns Alle 53
DK-2300 København S
Tlf. +45 5161 1000
Fax +45 5161 1001
www.ramboll.dk

SUB-CONSULTANT:



Waste Concern Consultants
Level- 4, House No.- 120/B, (Masjid Road) Road- 7
New DOHS Mohakhali Dhaka- 1207, Bangladesh
Tlf. + 880-2-48810-841, + 880-2-48810-842
Fax. + 880-2- 9899-486, Email- office@wasteconcern.org
www.wasteconcern.org

CLIENT :



LAO PEOPLE'S DEMOCRATIC REPUBLIC (LAO PDR)
MINISTRY OF INFORMATION, CULTURE AND TOURISM

REV.	DATE	DESCRIPTION	DRN
R01	20.07.2020	PRELIMINARY ISSUE	

DESIGNED/DRAWN: /
CHECKED: /
APPROVED: /

NAME OF PROJECT: 2ND GMS –TOURISM INFRASTRUCTURE FOR INCLUSIVE GROWTH WORKS PACKAGE -TIIGP2-LAO-W04 Subproject V5: Vang Vieng Solid Waste Management Improvements		SHEET NO.: 00 OF 00	SHEET SIZE: A3
TITLE: Inspection Pit: Plan & Section A-A		SCALE:	
DRAWING NO.: RAM-LAO-DED-W04-ST-15		REV: R01	DATE: JULY 2020

LAO PEOPLE'S DEMOCRATIC REPUBLIC (LAO PDR)



MINISTRY OF INFORMATION, CULTURE AND TOURISM

G0599-LAO: 2ND GMS TOURISM INFRASTRUCTURE FOR INCLUSIVE GROWTH PROJECT

**BIDDING DOCUMENT FOR PROCUREMENT OF
WORKS PACKAGE: TIIGP2-LAO-W04 VANG VIENG LANDFILL IMPROVEMENTS**

Subproject V5: Vang Vieng Solid Waste Management Improvements

DETAILED CIVIL WORK DRAWING

JULY, 2020

LEAD CONSULTANT :

RAMBOLL

Hannemanns Alle'53
DK-2300 København S
Tlf. +45 5161 1000
Fax +45 5161 1001
www.ramboll.dk

SUB-CONSULTANT:



Waste Concern Consultants

Level- 4, House No.- 120/B, (Masjid Road) Road- 7
New DOHS Mohakhali Dhaka- 1207, Bangladesh
Tlf. + 880-2-48810-841, + 880-2-48810-842
Fax. + 880-2- 9899-486, Email- office@wasteconcern.org
www.wasteconcern.org

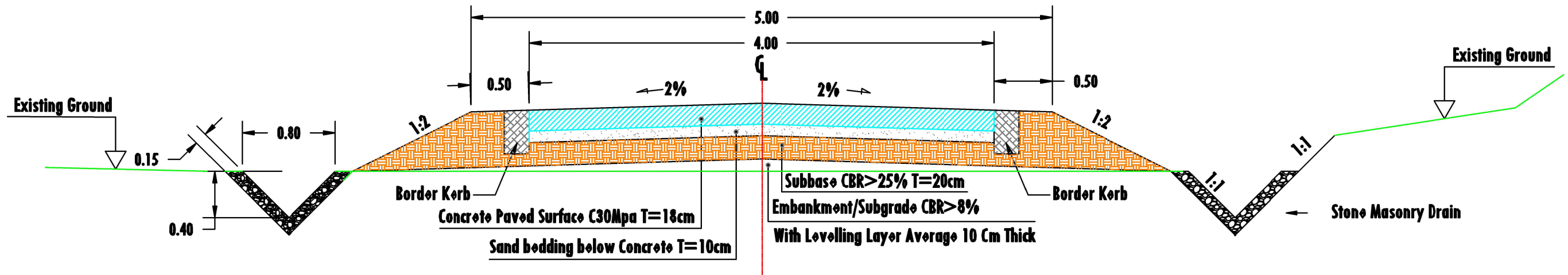
Table of Contents

Drawing no.	Component	Title	Sheet no.
All Civil Work Drawings			
C-01	Access road	Typical road cross sections	01
C-02	Access road	Reinforcement concrete pavement detail (1)	02
C-03	Access road	Main road, access road and passing bays reinforcement concrete pavement detail (2)	03
C-04	Access road	Junction and passing bay layout	04
C-05	Access road	Details of side ditch and R.C. U-drain	05
C-06	Access road	Reinforced concrete pipe Ø300-600 mm, Min cover 0.6 m.	06
C-07	Access road	Reinforced concrete pipe joints & extensions	07
C-08	Access road	Reinforced concrete pipe installation	08
C-09	Access road	Grouted stones rip-rap end walls for pipe culvert	09
C-10	Access road	Lamp post and concrete foundation with anchor bolt	10
C-11	Access road	Road traffic signs detail	11
C-12	Access road	Road traffic signs installation	12
C-13	Access road	Guide post installation at culvert location	13
C-14	Access road	Internal R.C.C road & R.C.C block road cross section	14
C-15	Access road	Internal R.C.C road & R.C.C block road cross section	15
C-16	Access road	Internal R.C.C road & R.C.C block road cross section	16
C-01-1	Access road	Plan and profile	17
C-01-2	Access road	Plan and profile	18
C-01-3	Access road	Road cross section	19
C-01-4	Access road	Road cross section	20
C-01-5	Access road	Road cross section	21
C-01-6	Access road	Road cross section	22
C-01-7	Access road	Road cross section	23
C-01-8	Access road	Road cross section	24
C-01-9	Access road	Road cross section	25
C-01-10	Access road	Road cross section	26
C-01-11	Access road	Road cross section	27
C-01-12	Access road	Plan and profile	28

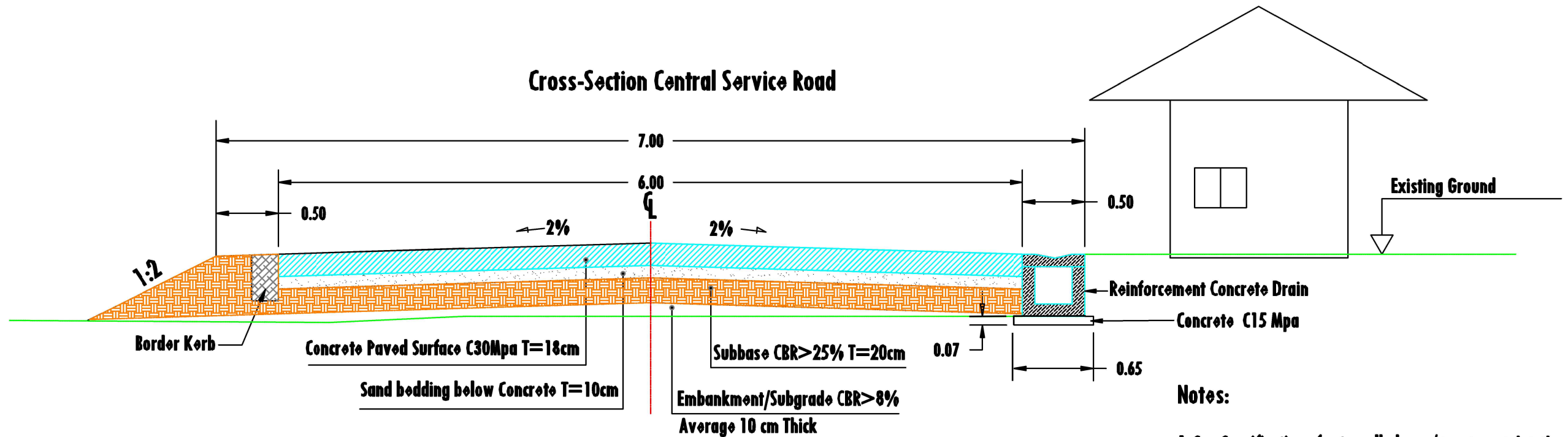
Table of Contents

Drawing no.	Component	Title	Sheet no.
All Civil Work Drawings			
C-01-13	Access road	Plan and profile	29
C-01-14	Access road	Plan and profile	30
C-01-15	Access road	Plan and profile	31
C-01-16	Access road	Road cross section	32
C-01-17	Access road	Road cross section	33
C-01-18	Access road	Road cross section	34
C-01-19	Access road	Road cross section	35
C-01-20	Access road	Road cross section	36
C-01-21	Access road	Road cross section	37
C-01-22	Access road	Road cross section	38
C-01-23	Access road	Road cross section	39
C-01-24	Access road	Total volume table	40
C-03-1	Landfill site cross sections	Site layout with facilities with alignments of cross section	41
C-03-2	Central site development	Central site area - traffic arias, signs, grading and drainage	42
C-03-3	Central site development	Cross section: AL 4 profile central site area	43
C-04-1	Landfill cells principal section	Principal landfill sections: AL 5 profile	44
C-04-2	Landfill cells principal section	Principal landfill sections: AL 1 profile	45
C-04-3	Landfill cells principal section	Cell 1 plan site grading and leachate collections	46
C-04-4	Landfill cells principal section	Landfill cell 1 development cross section: AL 6 profile	47
C-04-5	Landfill cells principal section	Cell development cross section and liner: AL 7 profile	48
C-04-6	Landfill cells principal section	Anchor trenches, cross section details	49
C-05-1	Leachate system	Overall principal leachate collection and treatment system	50
C-05-2	Leachate system	Layout location and septage treatment	51
C-05-3	Leachate system	Leachate treatment - principal cross section: AL 3 profile	52
C-05-4	Leachate system	Liner anchoring in all ponds: AL 2 profile	53
C-05-5	Leachate system	Overall principal leachate collection and treatment system	54
C-05-6	Leachate system	Leachate water storage tank	55
C-05-7	Leachate system	Recirculation manhole plan and cross sections	56

General Cross - Section Access Road and Internal Roads



Cross-Section Central Service Road



Notes:

1. See Specifications for travelled way/ treatment details shoulder widths and surface
2. See plan and profile drawings for details of crossfall/superelevation.

LEAD CONSULTANT :

RAMBOLL

Hannemanns Alle'53
DK-2300 København S
Tlf. +45 5161 1000
Fax +45 5161 1001
www.ramboll.dk

SUB-CONSULTANT:



Waste Concern Consultants

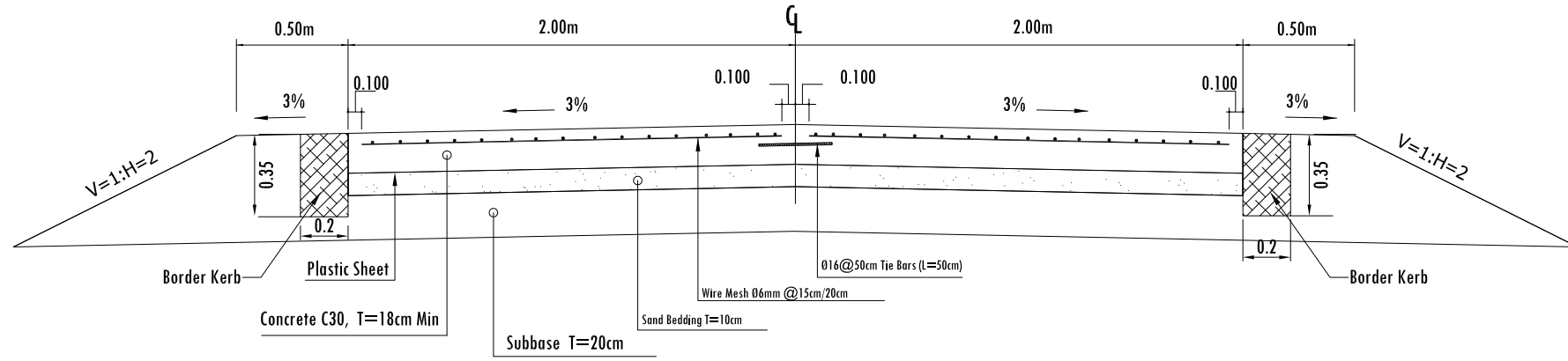
Level- 4, House No.- 120/B, (Masjid Road) Road- 7
New DOHS Mohakhali Dhaka- 1207, Bangladesh
Tlf. + 880-2-48810-841, + 880-2-48810-842
Fax. + 880-2- 9899-486, Email- office@wasteconcern.org
www.wasteconcern.org

CLIENT :

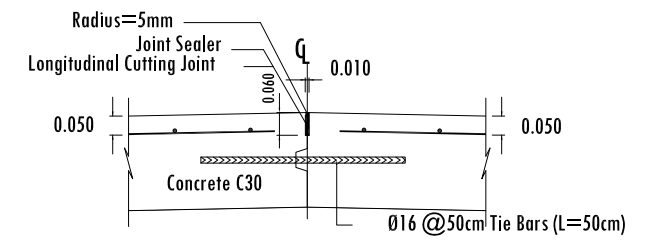


LAO PEOPLE'S DEMOCRATIC REPUBLIC (LAO PDR)
MINISTRY OF INFORMATION, CULTURE AND TOURISM

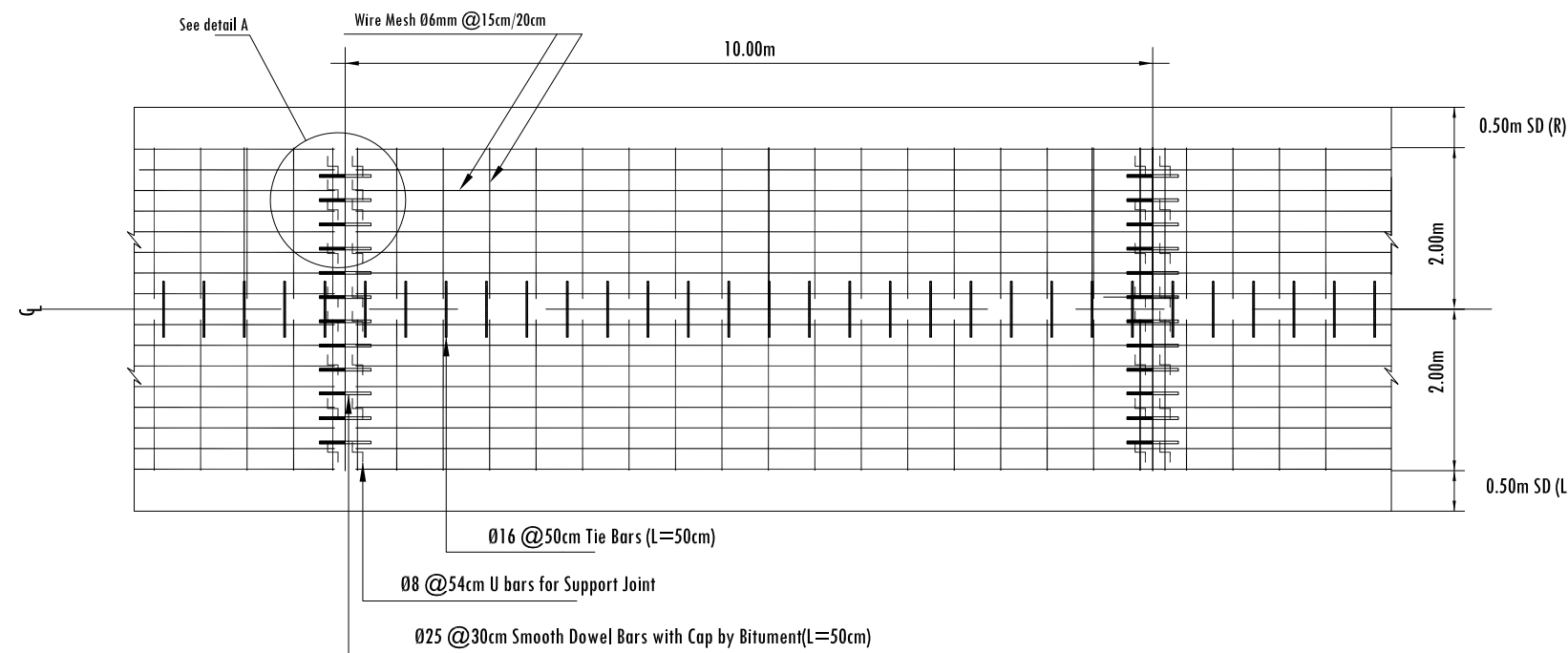
DESIGNED/DRAWN:	NAME OF PROJECT:	SHEET NO.:	SHEET SIZE:
CHECKED:	2ND GMS -TOURISM INFRASTRUCTURE FOR INCLUSIVE GROWTH WORKS PACKAGE -TIIGP2-LAO-W04 Subproject V5: Vang Vieng Solid Waste Management Improvements	00 OF 00	A3
APPROVED:	TITLE:	SCALE:	
REV. DATE DESCRIPTION DRN	ACCESS ROAD TYPICAL ROAD CROSS SECTIONS		
RO1 20.07.2020 PRELIMINARY ISSUE	DRAWING NO.:	REV:	DATE:
	RAM-LAO-DED-W04-C-01	R01	JULY 2020



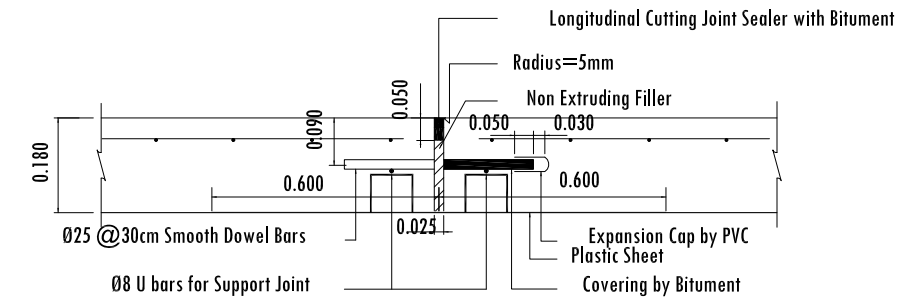
Reinforcement Concrete Road Pavement Section
Not To Scale



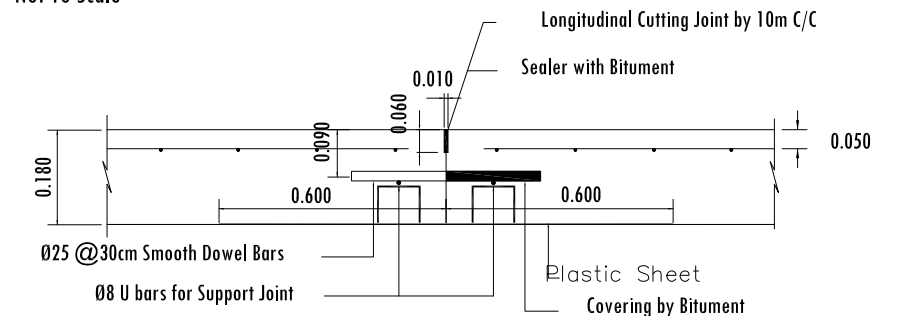
Tongue Edged Groove
Not To Scale



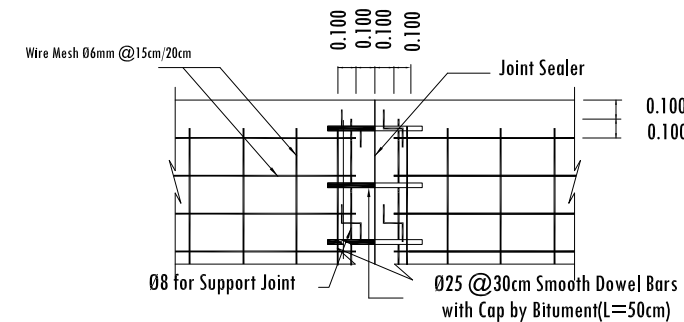
Reinforcement Concrete Road Pavement Layout
Not To Scale



Expansion Joint Every 100m Longitudinal Section
Not To Scale



Construction Joint Every 10m Longitudinal Section
Not To Scale



Detail A
Not To Scale

Note:

- All Dimension Measurements in Meter unless otherwise indicated
- Sealer Joint for Expansion shall be 100 meter interval, if Last section Joint on the Length shall be less than 100 meter
- Locations Expansion Joint shall be outside of span Bridge or Box Culvert at both sides along Linear of Road Cross-Section
- Materials for Sealer Expansion Joint shall be stability in hot condition with conforming Standard AASHTO M-173 or ASTM-D3405
- Materials for Sealer Construction Joint shall conforming Standard AASHTO M213-74 or ASTM.D1751-73
- Concrete Shall be 30Mpa according Technical Specification
- Steel Reinforcement shall be high strength of tension with conforming Standard AASHTO M31 as:
 - $\phi > 10\text{mm}$ to be Deformed Bar of Standard AASHTO M31 Grade 60 unless otherwise indicated
 - $\phi < 10\text{mm}$ to be Round Bar of Standard AASHTO M31 Grade 40
- Plastic Sheets laid in below Concrete slab shall be conforming Standard appropriate as:
 - Thickness of Plastic Sheet shall be not less than 0.07mm with inaccurate not exceed 7%
 - Width of Plastic Sheet shall be not less than 1.20m
 - Plastic Sheet shall be not color and preven water leakage

LEAD CONSULTANT :

Hannemanns Alle'53
DK-2300 København S
Tlf. +45 5161 1000
Fax +45 5161 1001
www.ramboll.dk

SUB-CONSULTANT:

Waste Concern Consultants
Level- 4, House No.- 120/B, (Masjid Road) Road-7
New DOHS Mohakhali Dhaka- 1207, Bangladesh
Tlf. + 880-2-48810-841, + 880-2-48810-842
Fax. + 880-2- 9899-486, Email- office@wasteconcern.org
www.wasteconcern.org

CLIENT :

LAO PEOPLE'S DEMOCRATIC REPUBLIC (LAO PDR)
MINISTRY OF INFORMATION, CULTURE AND TOURISM

REV.	DATE	DESCRIPTION	DRN
RO1	20.07.2020	PRELIMINARY ISSUE	

DESIGNED/DRAWN: _____

CHECKED: _____

APPROVED: _____

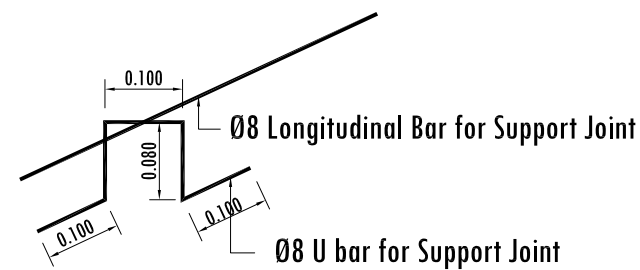
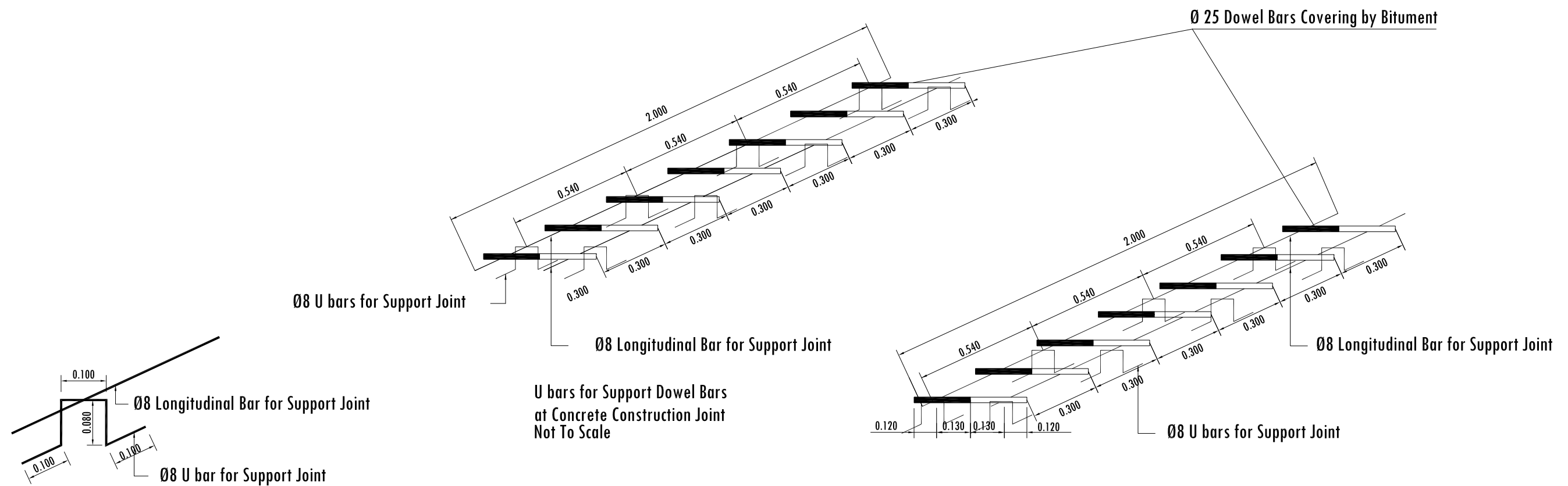
NAME OF PROJECT:
2ND GMS –TOURISM INFRASTRUCTURE FOR INCLUSIVE GROWTH
WORKS PACKAGE -TIIGP2-LAO-W04
Subproject V5: Vang Vieng Solid Waste Management Improvements

TITLE:
ACCESS ROAD REINFORCEMENT CONCRETE PAVEMENT DETAIL (1) 00 OF 00

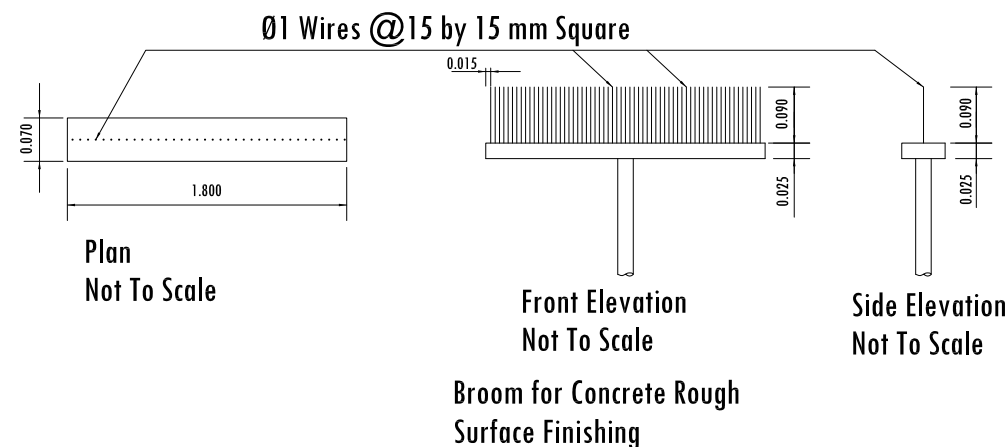
DRAWING NO.: RAM-LAO-DED-W04-C-02

SHEET NO.: 00 OF 00
SHEET SIZE: A3
SCALE: _____

REV: R01
DATE: JULY 2020



Detail of Support Bars
Not To Scale

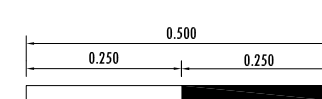


Plan
Not To Scale

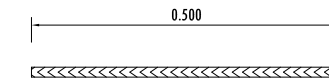
Front Elevation
Not To Scale

Side Elevation
Not To Scale

Broom for Concrete Rough
Surface Finishing



Detail of Dowel Bars
Along Cross Section
Not To Scale



Detail of Tie Bars Along
Longitudinal Section
Not To Scale

Note:

1. All Dimension Measurements in Meter unless otherwise indicated
2. Sealer Joint for Expansion shall be 100 meter interval, if Last section Joint on the Length shall be less than 100 meter
3. Locations Expansion Joint shall be outside of span Bridge or Box Culvert at both sides along Linear of Road Cross-Section
4. Materials for Sealer Expansion Joint shall be stability in hot condition with conforming Standard AASHTO M-173 or ASTM-D3405
5. Materials for Sealer Construction Joint shall conforming Standard AASHTO M213-74 or ASTM.D1751-73
6. Concrete Shall be 30Mpa according Technical Specification
7. Steel Reinforcement shall be high strength of tension with conforming Standard AASHTO M31 as:
 - $\varnothing > 10\text{mm}$ to be Deformed Bar of Standard AASHTO M31 Grade 60 unless otherwise indicated
 - $\varnothing < 10\text{mm}$ to be Round Bar of Standard AASHTO M31 Grade 40
8. Plastic Sheets laid in below Concrete slab shall be conforming Standard appropriate as:
 - Thickness of Plastic Sheet shall be not less than 0.07mm with inaccurate not exceed 7%
 - Width of Plastic Sheet shall be not less than 1.20m
 - Plastic Sheet shall be not color and preven water leakage

LEAD CONSULTANT :



Hannemanns Alle 53
DK-2300 København S
Tlf. +45 5161 1000
Fax +45 5161 1001
www.ramboll.dk

SUB-CONSULTANT:



Waste Concern Consultants
Level- 4, House No.- 120/B, (Masjid Road) Road- 7
New DOHS Mohakhali Dhaka- 1207, Bangladesh
Tlf. + 880-2-48810-841, + 880-2-48810-842
Fax. + 880-2- 9899-486, Email- office@wasteconcern.org
www.wasteconcern.org

CLIENT :



LAO PEOPLE'S DEMOCRATIC REPUBLIC (LAO PDR)
MINISTRY OF INFORMATION, CULTURE AND TOURISM

REV.	DATE	DESCRIPTION	DRN
RO1	20.07.2020	PRELIMINARY ISSUE	

DESIGNED/DRAWN:

CHECKED:

APPROVED:

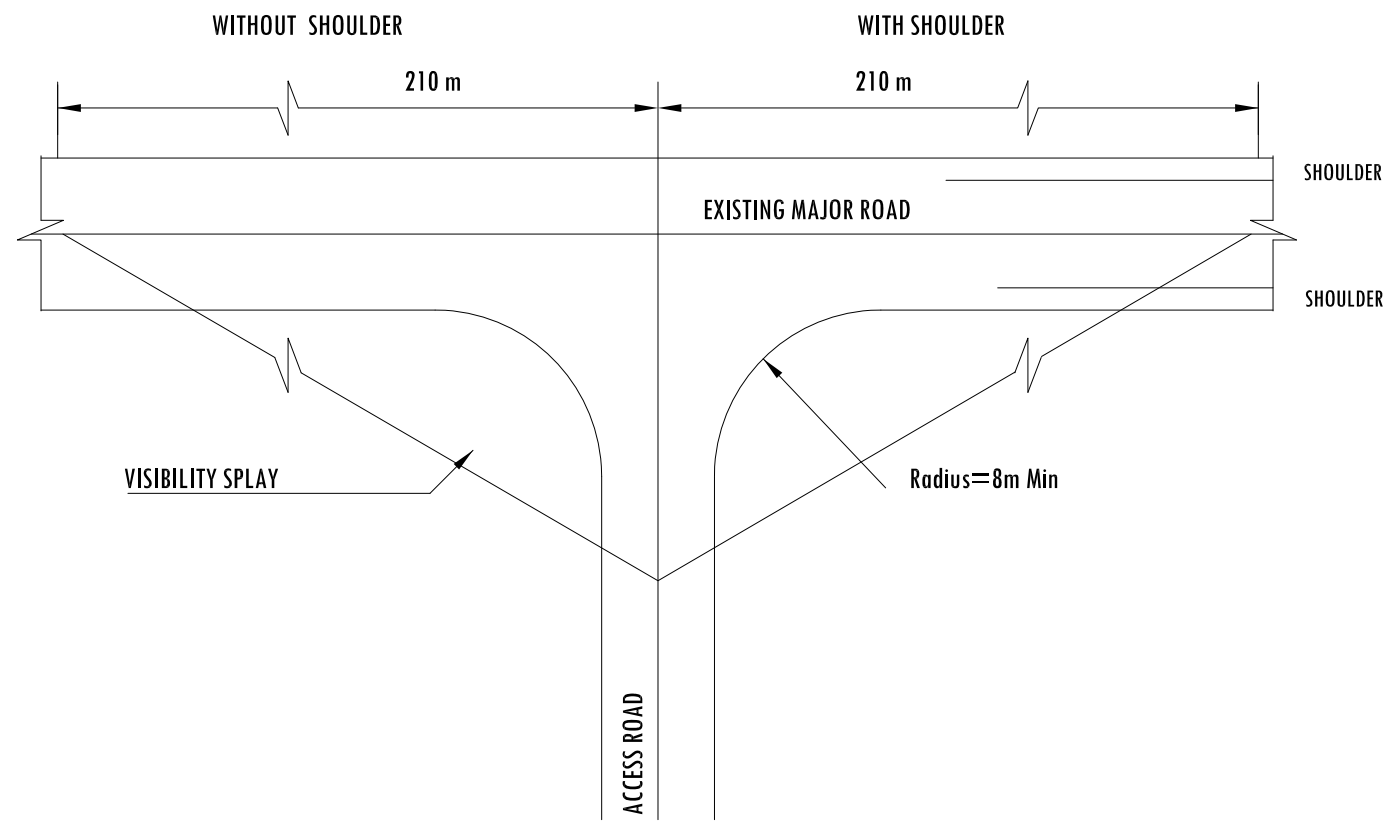
NAME OF PROJECT:
**2ND GMS -TOURISM INFRASTRUCTURE FOR INCLUSIVE GROWTH
WORKS PACKAGE -TIIGP2-LAO-W04**
Subproject V5: Vang Vieng Solid Waste Management Improvements

TITLE:
MAIN ROAD, ACCESS ROAD AND PASSING BAYS
REINFORCEMENT CONCRETE PAVEMENT DETAIL (2)

DRAWING NO.: RAM-LAO-DED-W04-C-03

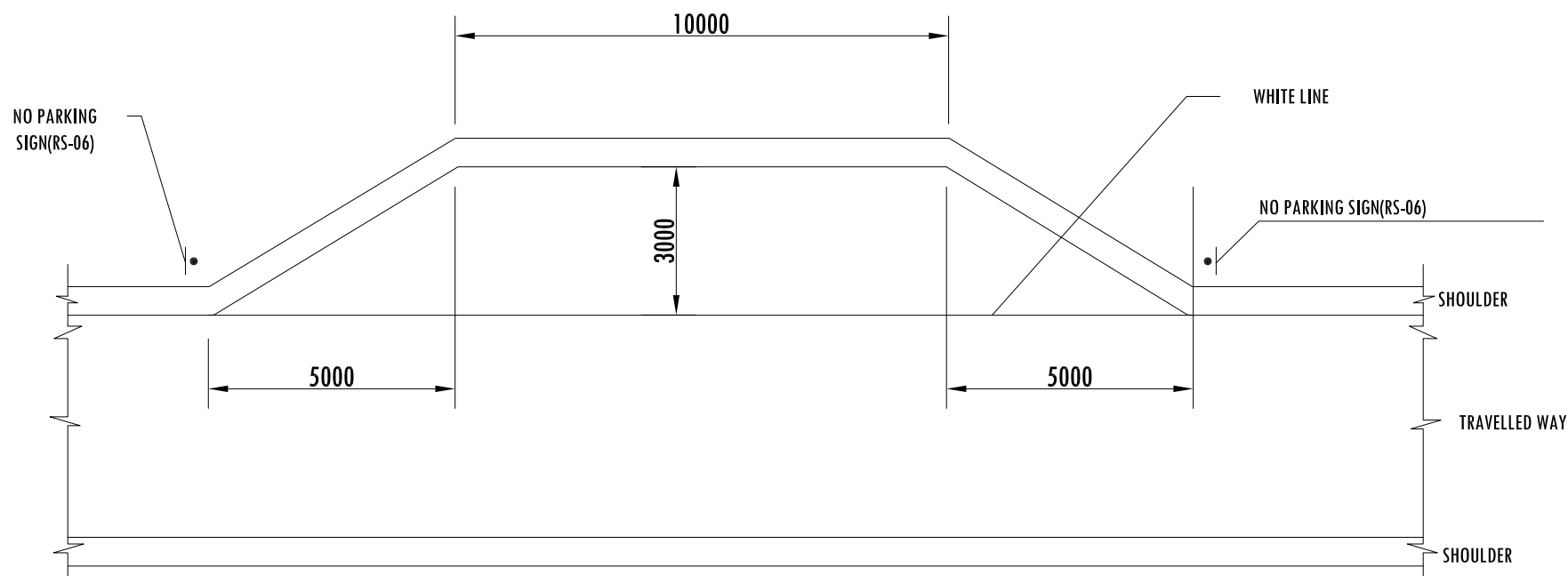
SHEET NO.: 00 OF 00
SHEET SIZE: A3
SCALE:

REV: R01
DATE: JULY 2020



Junction Layout Plan

(NOT TO SCALE)



TYPICAL PASSING BAY LAYOUT

(SINGLE LANE ROAD)

NOTES:

1. DRAINAGE DITCH TO BE TAKEN BENEATH SIDE ROAD IN 600 mm PIPE WITH MINIMUM 300 mm COVER TO ROAD SURFACE.
2. THE ENGINEER WILL DETERMINE THE VALUE OF R TO BE USED AND THE VALUE OF W.
3. THE CONTRACTOR SHALL PREPARE LAYOUT DRAWINGS (PLAN AND LONG SECTION) FOR EACH JUNCTION FOR THE ENGINEER'S APPROVAL.
4. DETAILS TO BE ADAPTED FOR SKEW JUNCTIONS
5. BUS BAY, PASSING BAY AND LAY BY TO HAVE SAME CONSTRUCTION AS TRAVELLED WAY UNLESS OTHERWISE SPECIFIED
6. NO PARKING SIGNS TO BE USED ONLY WHERE INSTRUCTED BY THE ENGINEER

PASSING BAY LOCATION

ITEM	CHAINAGE	SIDE
1	Sta. 0+150	Right Side
2	Sta. 0+280	Left Side
3	Sta. 0+490	Right Side
4	Sta. 0+660	Left Side

LEAD CONSULTANT :



Hannemanns Alle 53
DK-2300 København S
Tlf. +45 5161 1000
Fax +45 5161 1001
www.ramboll.dk

SUB-CONSULTANT:



Waste Concern Consultants
Level- 4, House No.- 120/B, (Masjid Road) Road- 7
New DOHS Mohakhali Dhaka- 1207, Bangladesh
Tlf. + 880-2-48810-841, + 880-2-48810-842
Fax. + 880-2- 9899-486, Email- office@wasteconcern.org
www.wasteconcern.org

CLIENT :

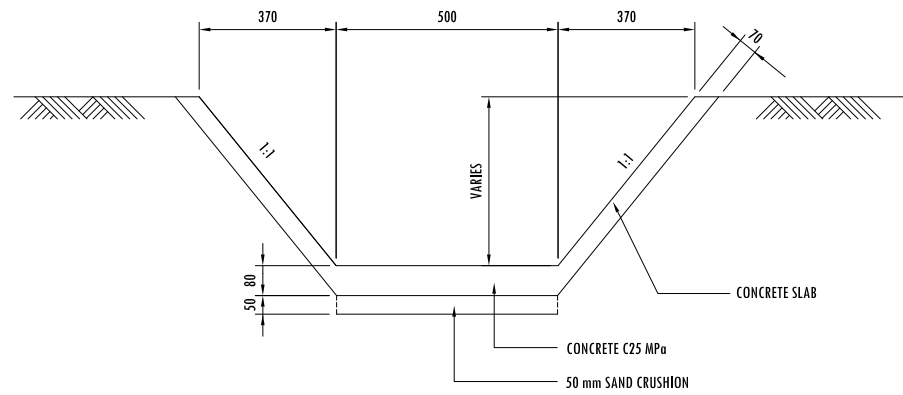


LAO PEOPLE'S DEMOCRATIC REPUBLIC (LAO PDR)
MINISTRY OF INFORMATION, CULTURE AND TOURISM

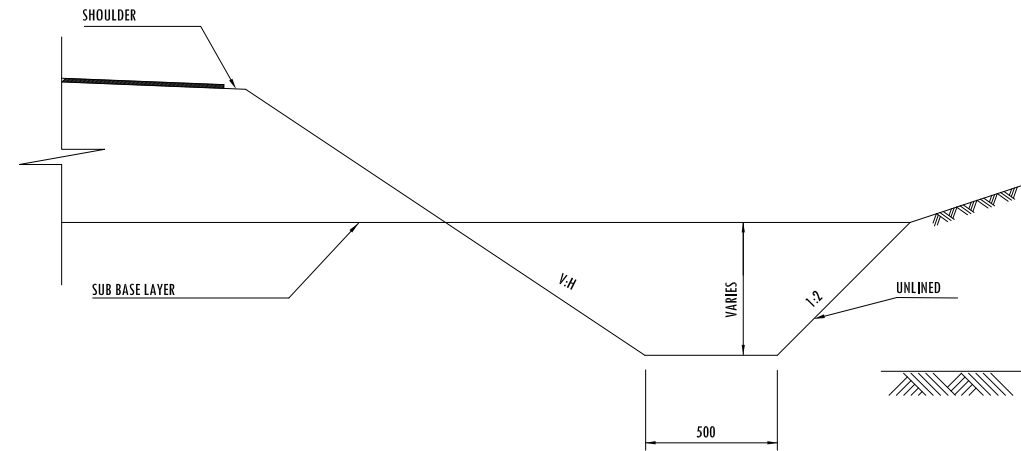
REV.	DATE	DESCRIPTION	DRN
RO1	20.07.2020	PRELIMINARY ISSUE	

DESIGNED/DRAWN:
CHECKED:
APPROVED:

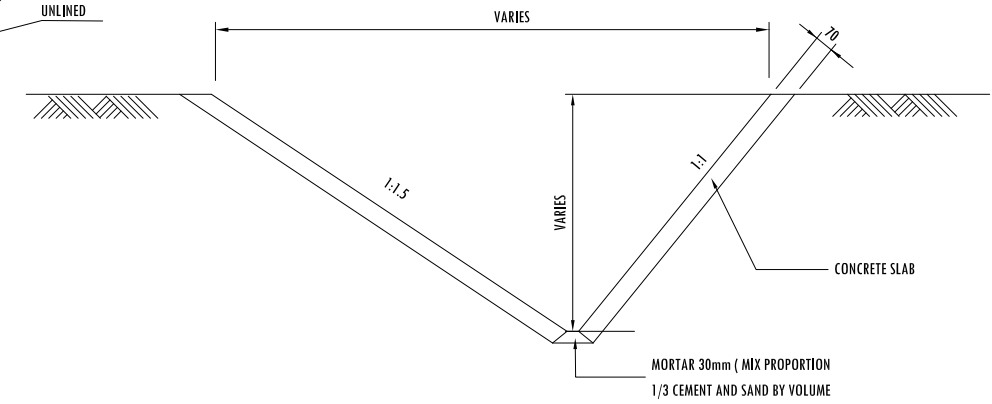
NAME OF PROJECT: 2ND GMS –TOURISM INFRASTRUCTURE FOR INCLUSIVE GROWTH WORKS PACKAGE -TIIGP2-LAO-W04 Subproject V5: Vang Vieng Solid Waste Management Improvements		SHEET NO.:	SHEET SIZE:
TITLE: JUNCTION AND PASSING BAY LAYOUT		00 OF 00	A3
DRAWING NO.: RAM-LAO-DED-W04-C-04		SCALE:	
REV:	DATE:		
R01	JULY 2020		



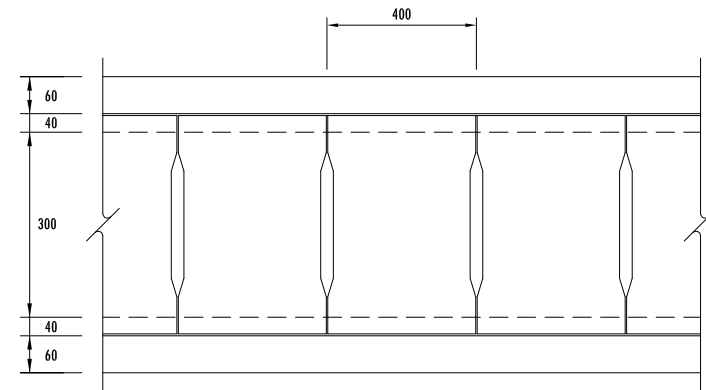
TYPICAL CONCRETE DITCH LINING TYPE A
SCALE 1:20



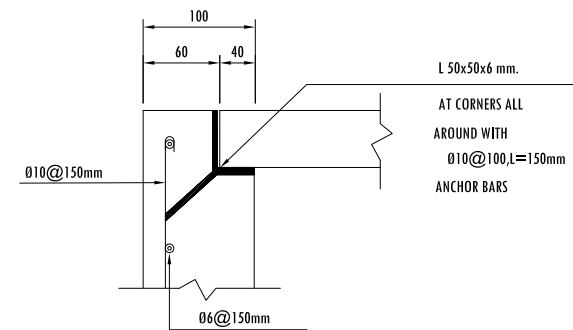
TYPICAL DITCH TYPE B
NOT TO SCALE



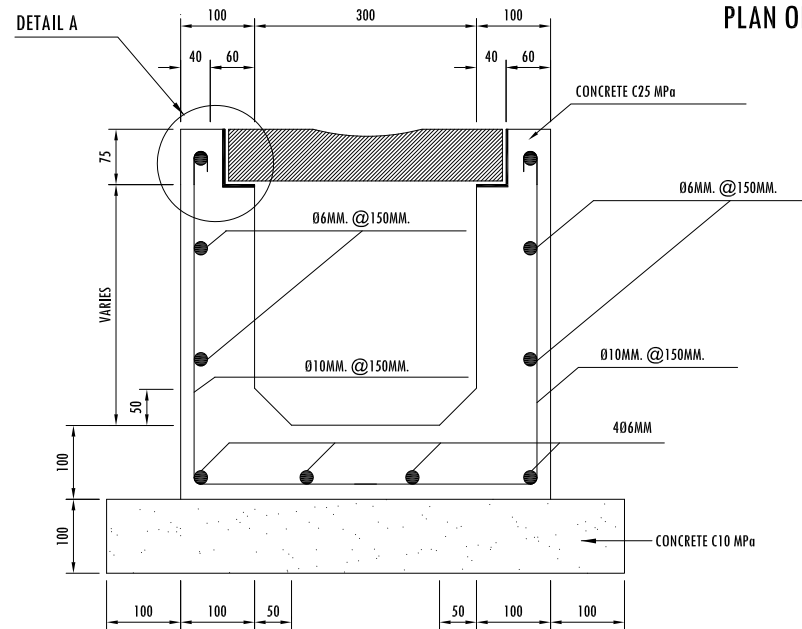
TYPICAL CONCRETE DITCH LINING TYPE C
SCALE 1:20



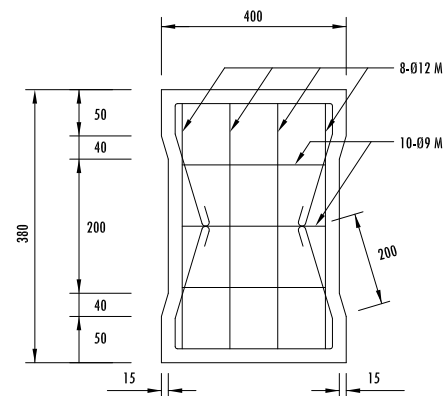
PLAN OF R.C. DITCH TYPE "B2"
WITH R.C. COVER



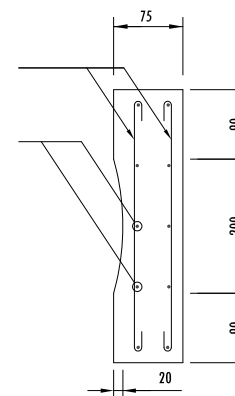
DETAIL A
NOT TO SCALE



R.C.U. DITCH
NOT TO SCALE



R.C. COVER OF R.C. DITCH TYPE "B2"
NOT TO SCALE



SECTION

GENERAL

THE DESCRIPTIONS AND REQUIREMENTS APPEARING IN ANY PART OF THE TECHNICAL SPECIFICATION SHALL APPLY EQUALLY TO THIS DRAWING, WHERE APPROPRIATE AND SHALL BE READ AS THOUGH REPEATED ON THIS DRAWING.

NOTES:

- ALL DIMENSIONS ARE IN MILLIMETERS, UNLESS OTHERWISE INDICATED.
- CONCRETE USE IN STRUCTURE SHALL BE AS THE FOLLOWING:
 - BEAM CLASS 30 MPA
 - COLUMN, CLASS 25 MPA
 - BLINDING CONCRETE, CLASS 10 MPA
- MORTAR MIX PROPORTION SHALL BE 1/2 (RATED BY VOLUME OF CEMENT/SAND) OR AS DIRECTED BY THE ENGINEER.
- ALL STEEL REINFORCEMENT SHALL CONFORM TO THE REQUIREMENTS OF THE SPECIFICATIONS FOR AASHTO M31:
 - BAR OF DIAMETER 10MM AND ABOVE SHALL BE DEFORMED BALLETT STEEL BAR IN ACCORDANCE WITH AASHTO M31, GRADE 60
 - BAR OF DIAMETER BELOW 10MM MAY BE PLAIN MILD STEEL BARS IN ACCORDANCE WITH AASHTO M31 GRADE 40
- LAP LENGTH OF REINFORCEMENT BARS SHALL BE AS SHOWN IN TECHNICAL SPECIFICATION.
- WELD OF REINFORCEMENT BAR WILL NOT BE PERMITTED.
- MINIMUM THICKNESS OF CONCRETE COVER SHALL BE 30MM, MEASURED FROM THE SURFACE OF CONCRETE TO THE FACE OF NEAREST STEEL BAR.
- ALL INNER CORNERS OF R.C. BOX SHALL BE FILLETED 20 mm

LEAD CONSULTANT :



Hannemanns Alle 53
DK-2300 København S
Tlf. +45 5161 1000
Fax +45 5161 1001
www.ramboll.dk

SUB-CONSULTANT:



Waste Concern Consultants
Level- 4, House No.- 120/B, (Masjid Road) Road- 7
New DOHS Mohakhali Dhaka- 1207, Bangladesh
Tlf. + 880-2-48810-841, + 880-2-48810-842
Fax. + 880-2- 9899-486, Email- office@wasteconcern.org
www.wasteconcern.org

CLIENT :



LAO PEOPLE'S DEMOCRATIC REPUBLIC (LAO PDR)
MINISTRY OF INFORMATION, CULTURE AND TOURISM

REV.	DATE	DESCRIPTION	DRN
RO1	20.07.2020	PRELIMINARY ISSUE	

DESIGNED/DRAWN:

CHECKED:

APPROVED:

NAME OF PROJECT:
2ND GMS -TOURISM INFRASTRUCTURE FOR INCLUSIVE GROWTH
WORKS PACKAGE -TIIGP2-LAO-W04

Subproject V5: Vang Vieng Solid Waste Management Improvements

TITLE:
DETAILS OF SIDE DITCH AND R.C. U-DRAIN

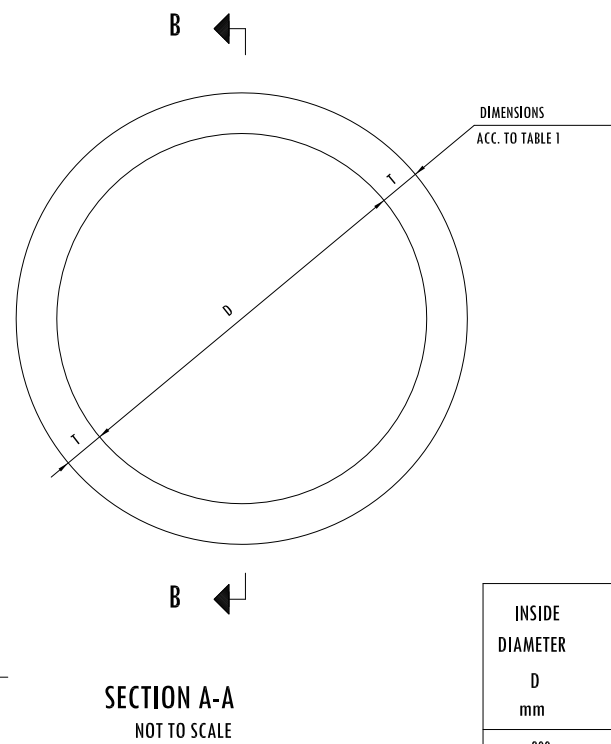
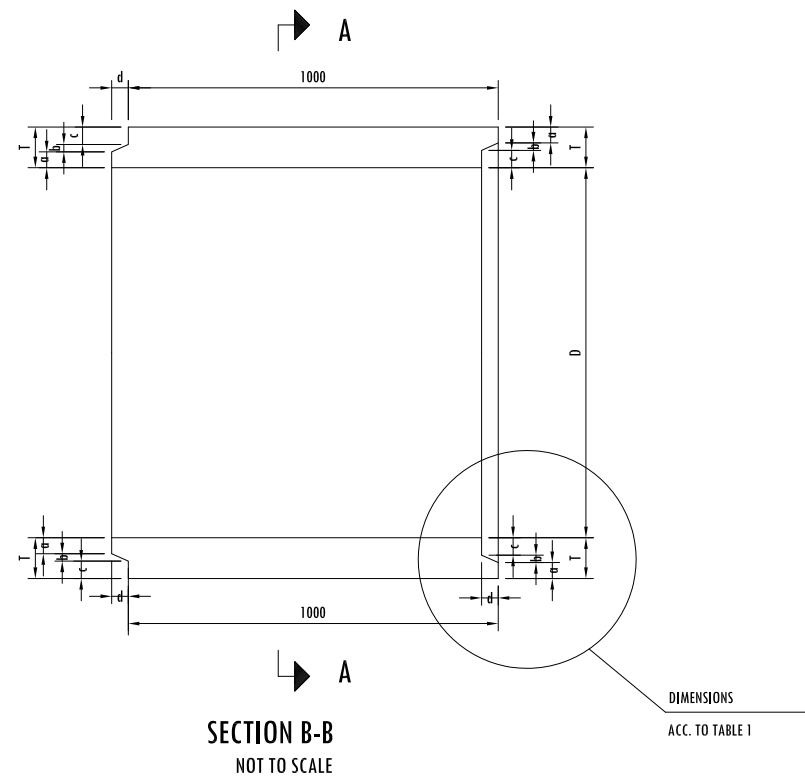
DRAWING NO.: RAM-LAO-DED-W04-C-05

SHEET NO.: 00 OF 00

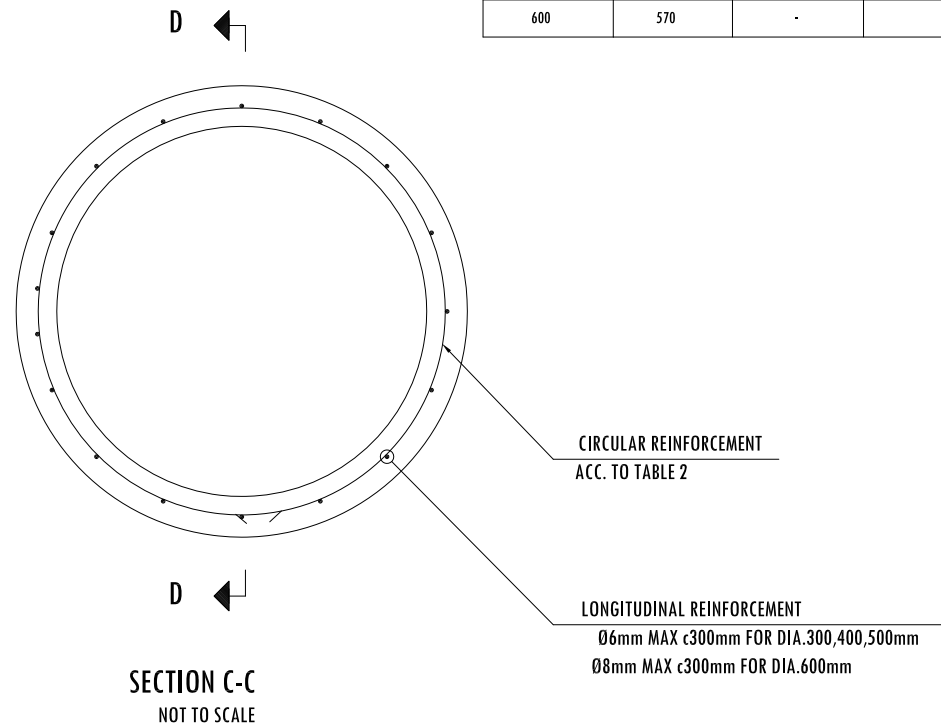
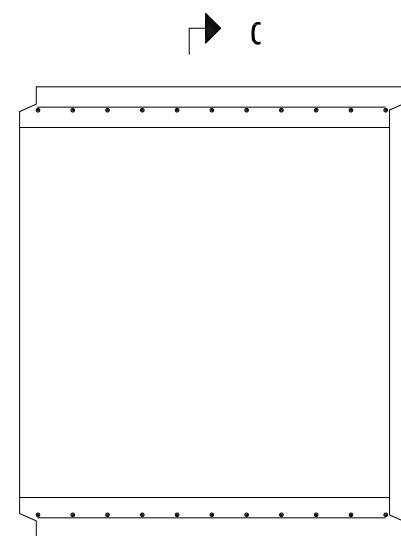
SCALE: A3

REV: R01

DATE: JULY 2020



TONGUE AND GROOVE TYPE
DIMENSIONS



TONGUE AND GROOVE TYPE
REINFORCEMENT

TABLE 1

INSIDE DIAMETER D mm	WALL THICKNESS T mm	DIMENSIONS OF PIPE END DETAILS IN mm TONGUE AND GROOVE			
		a	b	c	d
300	50	19	8	23	30
400	60	23	10	27	30
500	70	28	10	32	40
600	75	28	15	32	40

TABLE 2

INSIDE DIAMETER D mm	MIN. CIRCULAR REINFORCEMENT (mm/m) ²		CRUSHING LOAD TO PRODUCE 0.30mm CRACK WIDTH AND 310mm CRACK LENGTH kg/m	ULTIMATE CRUSHING LOAD kg/m	ULTIMATE STRENGTH FOR 152 X 304mm CONCRETE CYLINDER AT 28 DAY AGE MPa
	INNER CAGE	OUTER CAGE			
300	150	-	3,060	4,590	30
400	250	-	4,080	6,120	
500	380	-	5,100	7,650	
600	570	-	6,120	9,180	

NOTES

1. ALL DIMENSIONS SHOWN ARE IN MILLIMETERS UNLESS OTHERWISE INDICATED.
2. ALL PIPE BARRELS SHALL CONFORM TO REQUIREMENTS OF AASHTO M170M, REINFORCED CONCRETE CULVERT, STORM DRAIN, AND SEWER PIPE (METRIC) CLASS IV, WALL B.
3. ALL CONCRETE SHALL BE CLASS 30 MPa, UNLESS OTHERWISE SHOWN. CYLINDER STRENGTH OF CONCRETE AT 28 DAYS $f'_c=30MPa, f_c=12MPa$.
4. ALL STEEL REINFORCEMENT SHALL CONFORM TO THE REQUIREMENTS OF THE SPECIFICATION AASHTO M 31, DEFORMED AND PLAIN BILLET STEEL BARS FOR CONCRETE REINFORCEMENT, GRADE 60, EXCEPT THAT BARS OF DIAMETER UP TO AND INCLUDING 9mm MAY BE PLAIN MILD STEEL REINFORCEMENT IN ACCORDANCE WITH AASHTO M 31, GRADE 40.

LEAD CONSULTANT :



Hannemanns Alle'53
DK-2300 København S
Tlf. +45 5161 1000
Fax +45 5161 1001
www.ramboll.dk

SUB-CONSULTANT:



Waste Concern Consultants
Level- 4, House No.- 120/B, (Masjid Road) Road- 7
New DOHS Mohakhali Dhaka- 1207, Bangladesh
Tlf. + 880-2-48810-841, + 880-2-48810-842
Fax. + 880-2- 9899-486, Email- office@wasteconcern.org
www.wasteconcern.org

CLIENT :



LAO PEOPLE'S DEMOCRATIC REPUBLIC (LAO PDR)
MINISTRY OF INFORMATION, CULTURE AND TOURISM

REV.	DATE	DESCRIPTION	DRN
RO1	20.07.2020	PRELIMINARY ISSUE	

DESIGNED/DRAWN:

CHECKED:

APPROVED:

NAME OF PROJECT:

**2ND GMS -TOURISM INFRASTRUCTURE FOR INCLUSIVE GROWTH
WORKS PACKAGE -TIIGP2-LAO-W04
Subproject V5: Vang Vieng Solid Waste Management Improvements**

TITLE:
REINFORCED CONCRETE PIPE DIA 300-600 mm, Min Cover 0.6 m

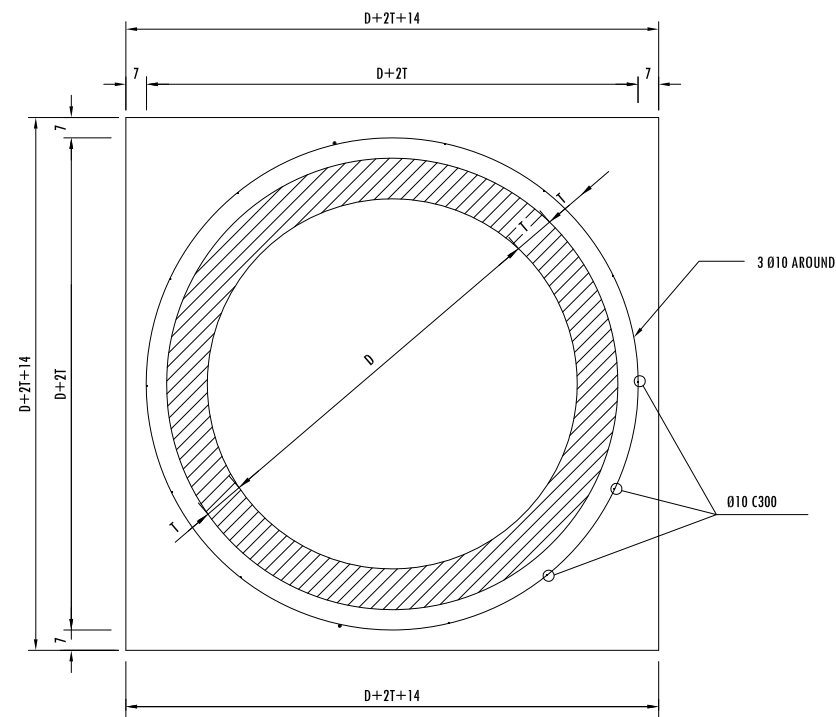
DRAWING NO.: RAM-LAO-DED-W04-C-06

SHEET NO.: 00 OF 00
SHEET SIZE: A3

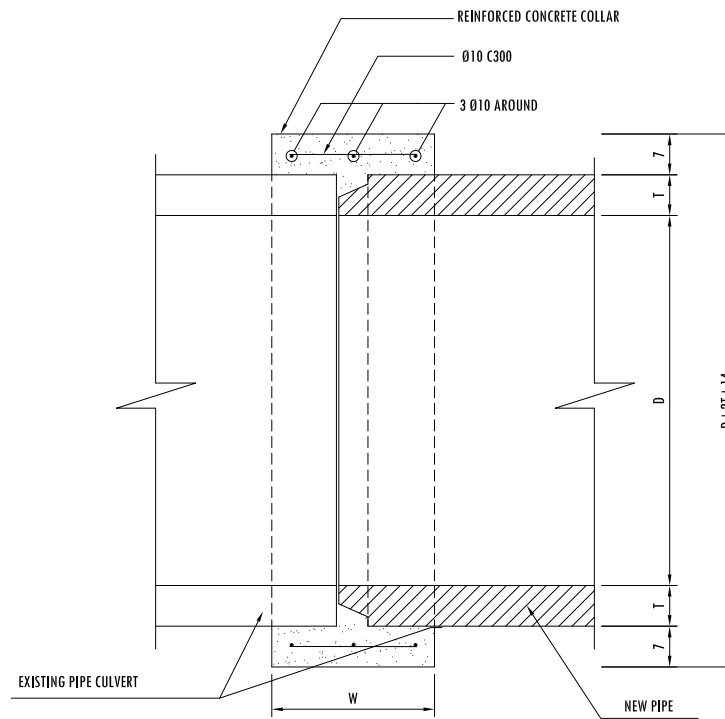
SCALE:

REV: R01 DATE: JULY 2020

PIPE EXTENSION DETAILS

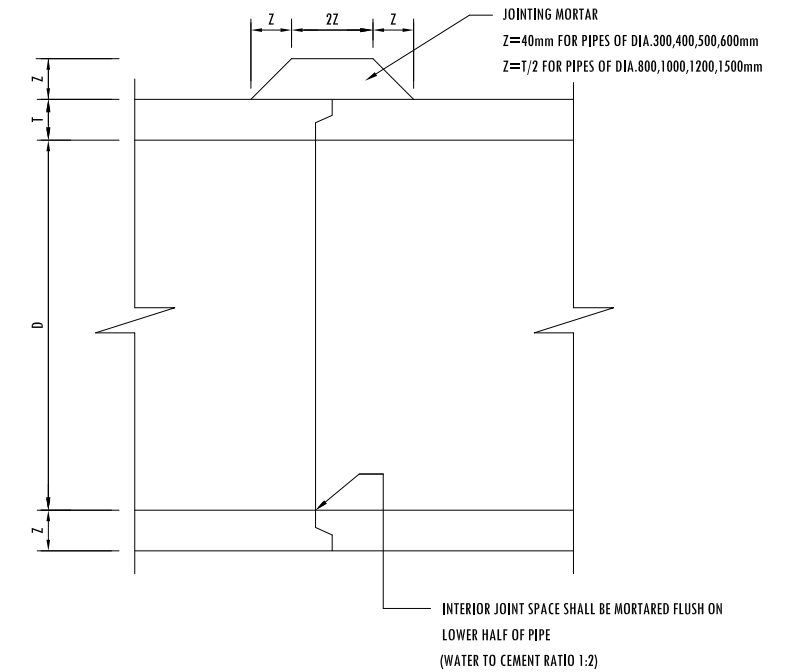


TRANSVERSE SECTION
NOT TO SCALE



W=15 FOR D LESS THAN 60
W=20 FOR D EQUALS TO 60 OR MORE

LONGITUDINAL SECTION
NOT TO SCALE



PIPE CONNECTION JOINT DETAIL
NOT TO SCALE

TABLE 1

R.C PIPE CULVERT CLASS	INSIDE DIAMETER (D) (CM)	WALL THICKNESS (T) (CM)	PIPE END DETAILS (CM)								
			BELL & SPIGOT TYPE					TONGUE & GROOVE TYPE			
			T1	T2	T3	T4	T5 (MIN)	a	b	c	d
2 & 3	30	5.0	6.0	6.6	0.4	8.5	15.0	1.9	0.8	2.3	3.0
	40	6.0	6.7	7.6	0.4	9.7	18.0	2.3	1.0	2.7	3.0
	50	7.0	7.0	8.6	0.4	10.5	21.0	2.8	1.0	3.2	4.0
	60	7.5	7.6	9.1	0.4	11.4	22.5	2.8	1.5	3.2	4.0
	80	9.5	8.9	11.1	0.4	13.7	28.5	3.8	1.5	4.2	4.5
	100	11.0	9.5	12.6	0.4	15.0	33.0	4.3	2.0	4.7	4.5
	120	12.5	10.0	14.1	0.4	16.5	37.5	4.8	2.5	5.2	5.0
150	15.0	10.0	16.6	0.4	17.7	45.0	5.7	3.0	6.3	6.0	

NOTES

1. ALL DIMENSIONS SHOWN ARE IN MILLIMETERS UNLESS OTHERWISE INDICATED.
2. MORTAR FOR PIPE CONNECTION JOINT SHALL CONSIST OF 1 PART PORTLAND CEMENT TO 2 PARTS OF SAND BY VOLUME.
3. CONCRETE COLLAR FOR PIPE EXTENSION SHALL BE CLASS 25 MPa.
4. REINFORCEMENT FOR EXTENSION SHALL BE DEFORMED BILLET STEEL BARS ACCORDING TO ASSHTO M30, GRADE 60.

LEAD CONSULTANT :



Hannemanns Alle 53
DK-2300 København S
Tlf. +45 5161 1000
Fax +45 5161 1001
www.ramboll.dk

SUB-CONSULTANT:



Waste Concern Consultants
Level- 4, House No.- 120/B, (Masjid Road) Road- 7
New DOHS Mohakhali Dhaka- 1207, Bangladesh
Tlf. + 880-2-48810-841, + 880-2-48810-842
Fax. + 880-2- 9899-486, Email- office@wasteconcern.org
www.wasteconcern.org

CLIENT :



LAO PEOPLE'S DEMOCRATIC REPUBLIC (LAO PDR)
MINISTRY OF INFORMATION, CULTURE AND TOURISM

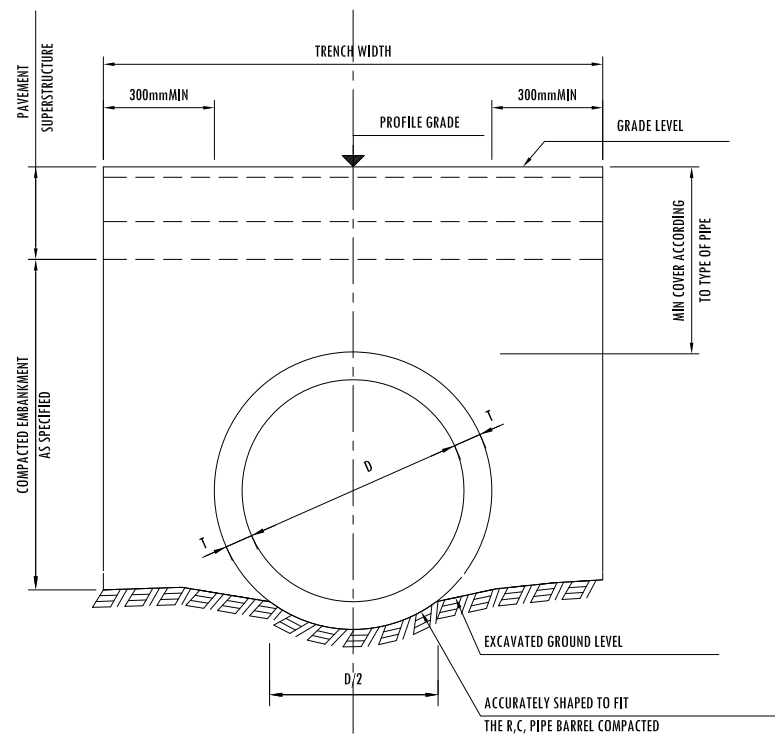
REV.	DATE	DESCRIPTION	DRN
RO1	20.07.2020	PRELIMINARY ISSUE	

DESIGNED/DRAWN:

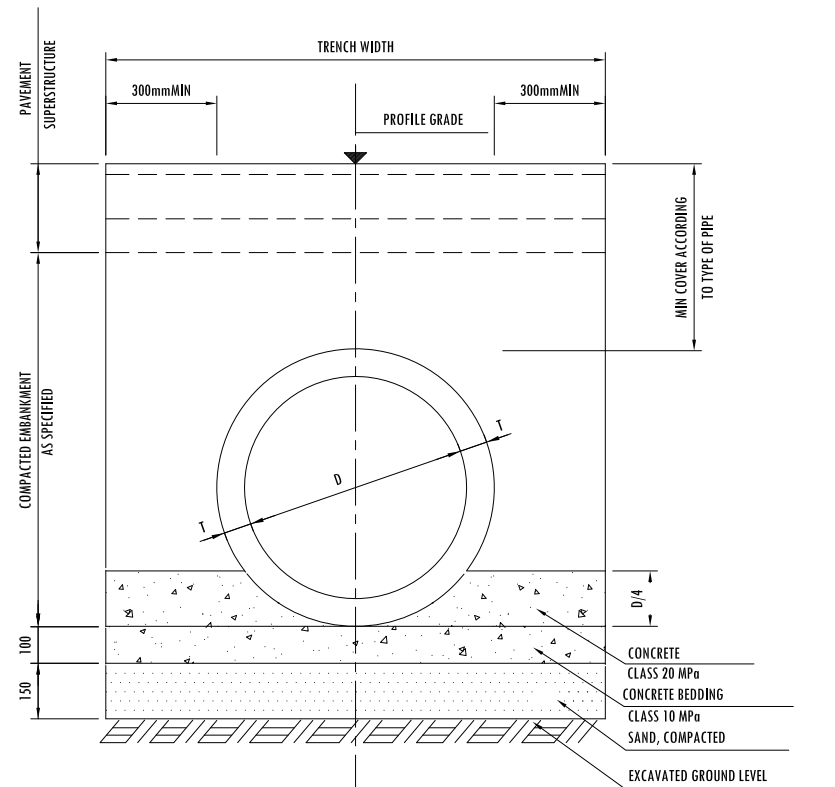
CHECKED:

APPROVED:

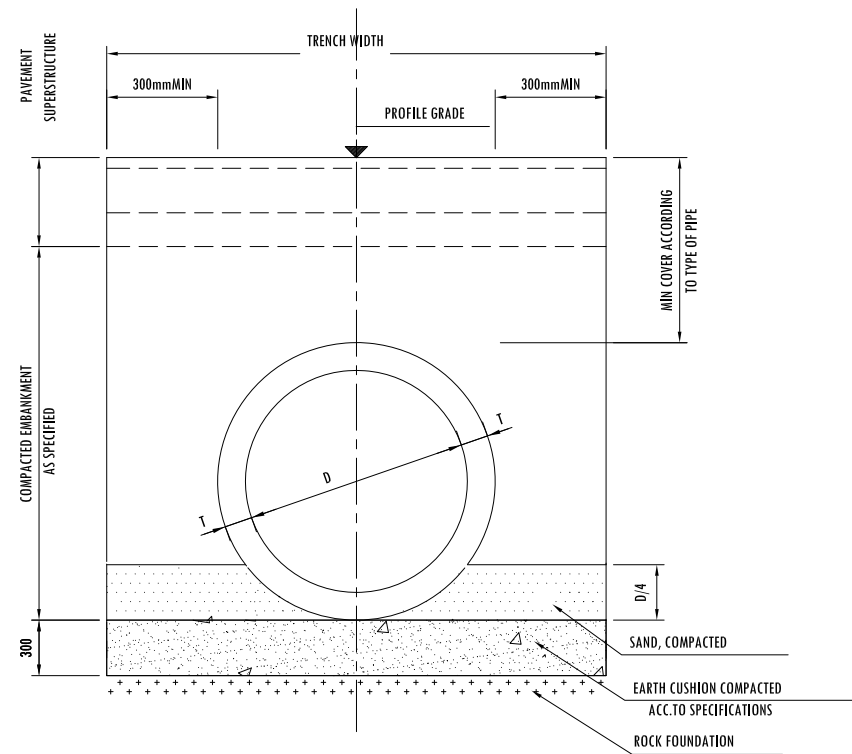
NAME OF PROJECT: 2ND GMS -TOURISM INFRASTRUCTURE FOR INCLUSIVE GROWTH WORKS PACKAGE -TIIGP2-LAO-W04 Subproject V5: Vang Vieng Solid Waste Management Improvements		SHEET NO.: 00 OF 00	SHEET SIZE: A3
TITLE: REINFORCED CONCRETE PIPE JOINTS AND EXTENSIONS		SCALE:	
DRAWING NO.: RAM-LAO-DED-W04-C-07	REV: R01	DATE: JULY 2020	



BEDDING TYPE A
SINGLE CELL, ORDINARY BEDDING
NOT TO SCALE



BEDDING TYPE B
SINGLE CELL CONCRETE CRADLE BEDDING
NOT TO SCALE



BEDDING TYPE C
SINGLE CELL ROCK FOUNDATION BEDDING
NOT TO SCALE

NOTES

REINFORCED CONCRETE PIPE CULVERT INSTALLATION

1. TRENCH METHOD

- 1.1 PIPE INSTALLATION SHALL BE BY TRENCH METHOD, UNLESS OTHERWISE PERMITTED BY THE ENGINEER .
- 1.2 EMBANKMENT OR CUT SHALL FIRST BE CONSTRUCTED TO AN ELEVATION OF D/2 OR AT LEAST 450 mm OVER THE TOP OF THE PROPOSED PIPE CULVERT.
- 1.3 A TRENCH SHALL THEN BE EXCAVATED ALONG THE PROPOSED LINE AS SHOWN ON DRAWING. TRENCH WALLS SHALL HAVE A SMOOTH SURFACE AND SHALL BE CONSTRUCTED VERTICALLY, WHERE POSSIBLE.
- 1.4 THE TRENCH BED SHALL BE PREPARED TO THE SPECIFIED SLOPE. BEDDING SHALL BE TYPE A, B OR C DEPENDING ON FOUNDATION SOIL / ROCK AND AS DIRECTED BY THE ENGINEER .
- 1.5 PIPES SHALL BE INSTALLED ACCORDING TO SIZES SHOWN ON THE DRAWINGS .
- 1.6 BACKFILLING OF PIPE CULVERTS SHALL NOT BE PERMITTED UNTIL AT LEAST 48 HOURS HAVE ELAPSED AFTER JOINT HAVE BEEN COMPLETED.
- 1.7 BACKFILL SHALL BE PLACED TO THE SUBGRADE ELEVATION .
- 1.8 BACKFILL SHALL BE GRANULAR SUBGRADE MEETING REQUIREMENTS OF THE SPECIFICATIONS, AND SHALL MEET THE APPROVAL OF THE ENGINEER .
- 1.9 METHOD OF COMPACTION SHALL BE AS DESCRIBED IN THE SPECIFICATIONS .
- 1.10 COMPACTION EQUIPMENT SHALL MEET THE APPROVAL OF THE ENGINEER .
- 1.11 THE DEGREE OF COMPACTION SHALL MEET THE REQUIREMENTS OF THE SPECIFICATIONS.
- 1.12 LENGTH, LOCATION AND ELEVATION OF PIPE CULVERT SHALL BE ADJUSTED TO SUIT FIELD CONDITIONS AS APPROVED BY THE ENGINEER .

2. PROJECTION METHOD

- 2.1 THE PROJECTION METHOD SHALL BE EMPLOYED FOR PIPE INSTALLATION ONLY WITH APPROVAL BY THE ENGINEER .
- 2.2 THE PIPE LINE LAYOUT SHALL BE SUITABLE FOR THE TERRAIN.
- 2.3 THE EXISTING GROUND ALONG THE LINE OF THE CULVERT SHALL BE PREPARED FOR THE SPECIFIED SLOPE.
- 2.4 PIPE BEDDING SHALL BE TYPE A, B OR C AS SHOWN ON THE DRAWING AND SHALL DEPEND UPON PREVAILING SOIL CONDITIONS AND THE JUDGEMENT OF THE ENGINEER
- 2.5 AFTER THE PIPE HAS BEEN PLACED, THE EMBANKMENT, SUBGRADE AND/OR PORTION OF THE PAVEMENT STRUCTURE WHICH ARE TO BE LAID ALONG ROAD SIDES OF THE LINE WITHIN OF AT LEAST 4 PIPE DIAMETERS BUT NOT LESS THAN 5 m FROM CENTERLINE OF THE PIPE SHALL BE CONSTRUCTED.
- 2.6 COMPACTION EQUIPMENT SHALL OPERATE IN A DIRECTION PERPENDICULAR TO THE CENTERLINE OF THE ROAD, PARALLEL TO THE PIPE , UNTIL THE BACKFILL HAS REACHED AN ELEVATION OF AT LEAST 300 mm ABOVE THE TOP OF THE PIPE .

LEAD CONSULTANT :



Hannemanns Alle 53
DK-2300 København S
Tlf. +45 5161 1000
Fax +45 5161 1001
www.ramboll.dk

SUB-CONSULTANT:



Waste Concern Consultants
Level- 4, House No.- 120/B, (Masjid Road) Road- 7
New DOHS Mohakhali Dhaka- 1207, Bangladesh
Tlf. + 880-2-48810-841, + 880-2-48810-842
Fax. + 880-2- 9899-486, Email- office@wasteconcern.org
www.wasteconcern.org

CLIENT :

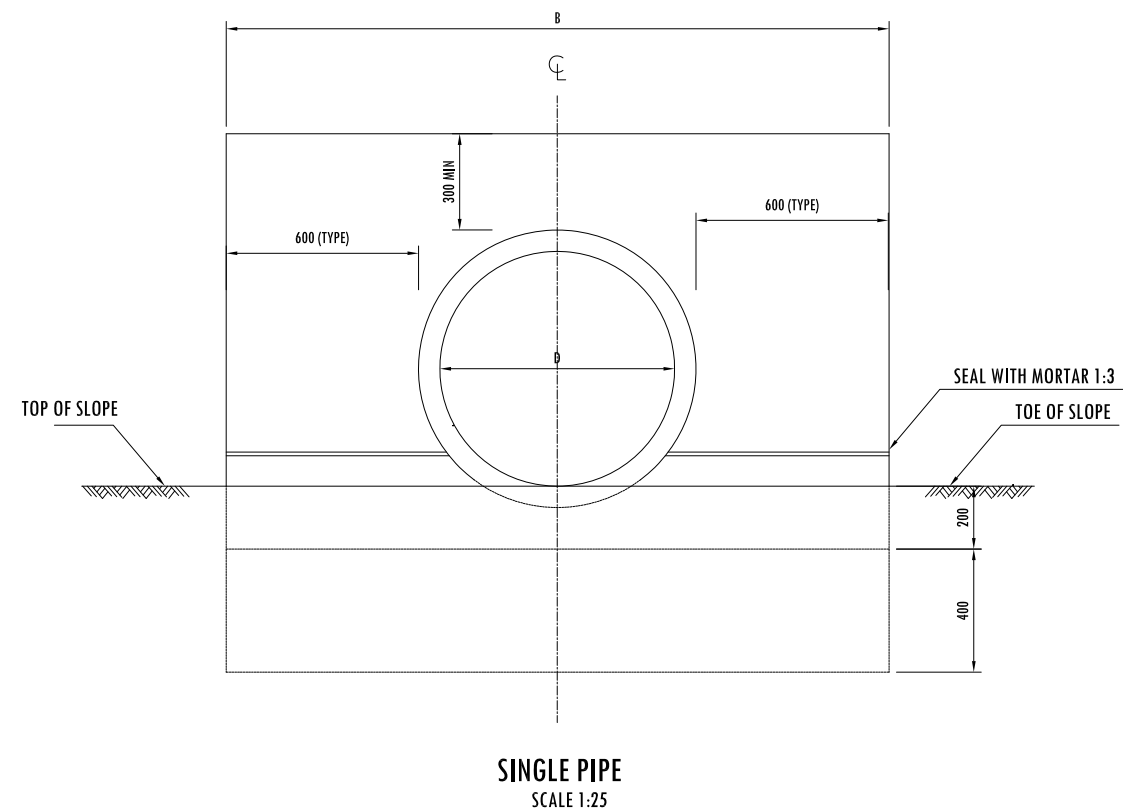


LAO PEOPLE'S DEMOCRATIC REPUBLIC (LAO PDR)
MINISTRY OF INFORMATION, CULTURE AND TOURISM

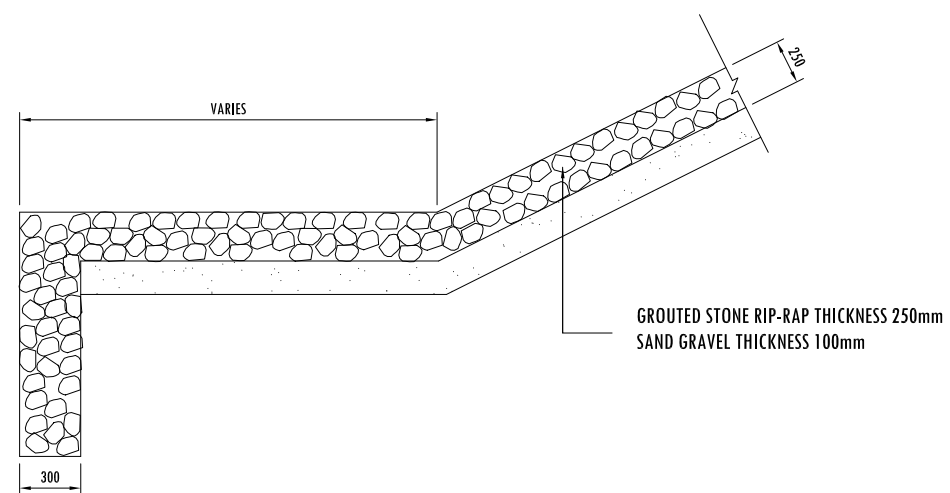
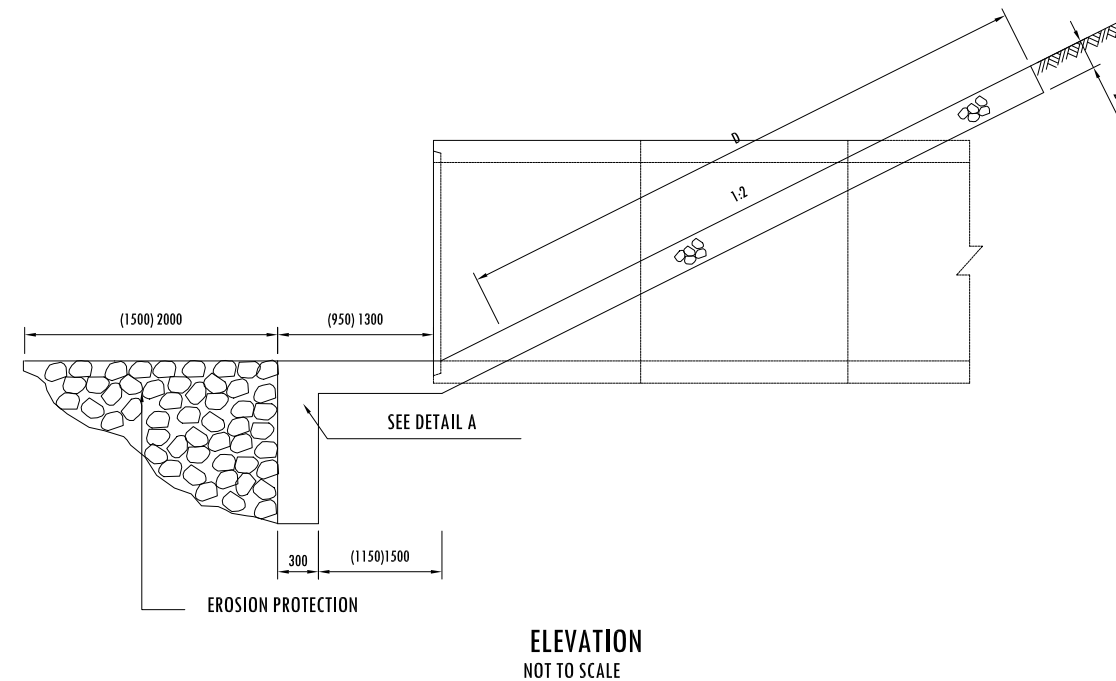
REV.	DATE	DESCRIPTION	DRN
RO1	20.07.2020	PRELIMINARY ISSUE	

DESIGNED/DRAWN:	
CHECKED:	
APPROVED:	

NAME OF PROJECT: 2ND GMS –TOURISM INFRASTRUCTURE FOR INCLUSIVE GROWTH WORKS PACKAGE -TIIGP2-LAO-W04 Subproject V5: Vang Vieng Solid Waste Management Improvements		SHEET NO.:	SHEET SIZE:
TITLE: REINFORCED CONCRETE PIPE INSTALLATION		00 OF 00	A3
DRAWING NO.:		REV:	DATE:
RAM-LAO-DED-W04-C-08		R01	JULY 2020



END WALL FOR PIPE CULVERTS



NOTES:

1. ALL DIMENSIONS SHOWN ARE IN MILLIMETERS UNLESS OTHERWISE INDICATED.
2. THE STONES USED FOR RIP-RAP SHALL WEIGH BETWEEN 20-45 Kg. STONES SHALL HAVE SUCH SHAPE AND DIMENSIONS AS TO MINIMIZE THE INTERSTICES AFTER PLACING. THE THICKNESS OF THE STONES SHALL BE APPROXIMATELY 15 CM.
3. THE LARGER STONES SHALL BE PLACED FIRST AND THE INTERSTICES SHALL BE FILLED WITH SMALL STONES UNTIL A SMOOTH SURFACE IS OBTAINED. FRESH MORTAR SHALL THEN BE APPLIED TO SEAL ALL JOINTS.
4. MORTAR MIXTURE SHALL BE 1:2 BY VOLUME.

LEAD CONSULTANT :



Hannemanns Alle 53
DK-2300 København S
Tlf. +45 5161 1000
Fax +45 5161 1001
www.ramboll.dk

SUB-CONSULTANT:



Waste Concern Consultants
Level- 4, House No.- 120/B, (Masjid Road) Road- 7
New DOHS Mohakhali Dhaka- 1207, Bangladesh
Tlf. + 880-2-48810-841, + 880-2-48810-842
Fax. + 880-2- 9899-486, Email- office@wasteconcern.org
www.wasteconcern.org

CLIENT :

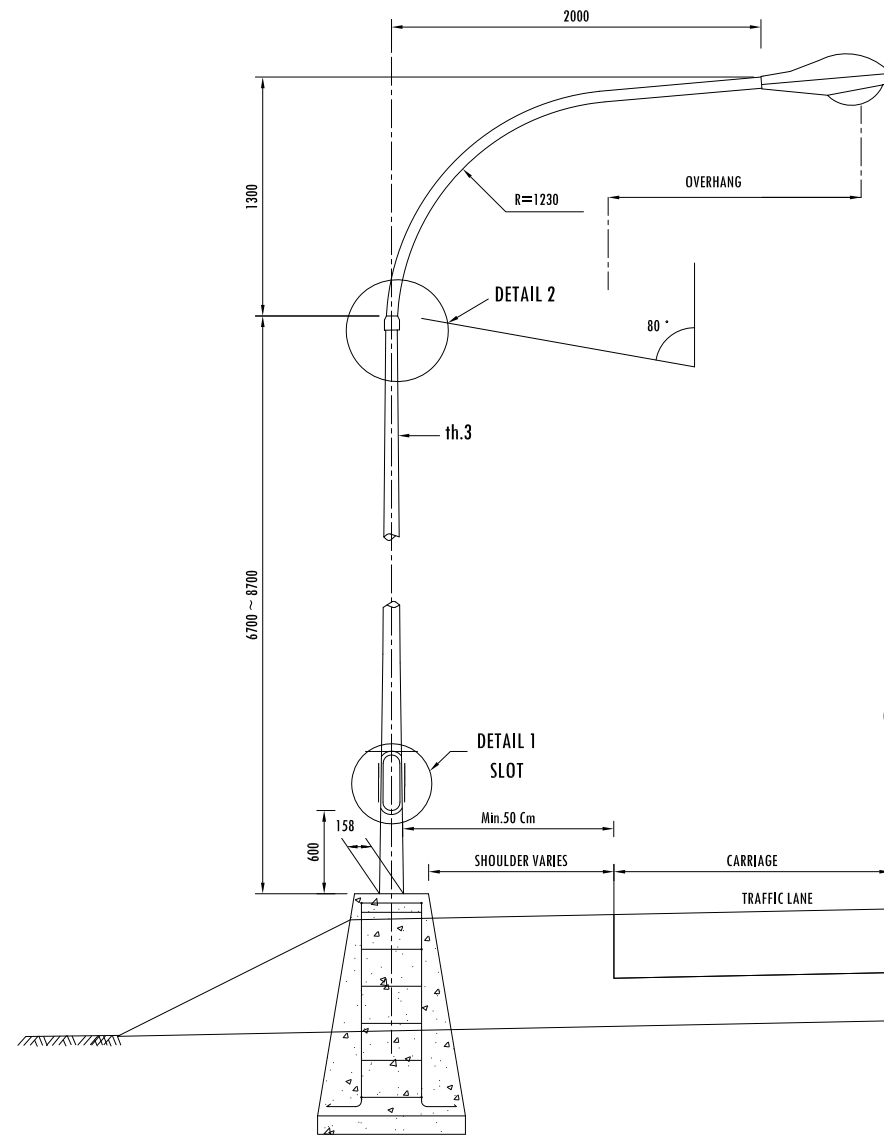


LAO PEOPLE'S DEMOCRATIC REPUBLIC (LAO PDR)
MINISTRY OF INFORMATION, CULTURE AND TOURISM

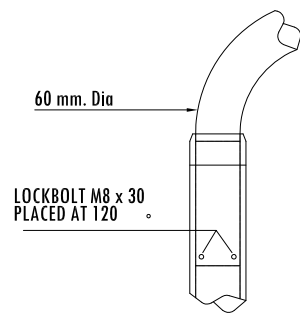
REV.	DATE	DESCRIPTION	DRN
RO1	20.07.2020	PRELIMINARY ISSUE	

DESIGNED/DRAWN:
CHECKED:
APPROVED:

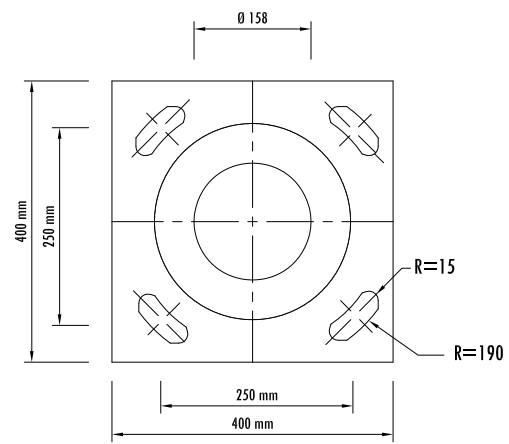
NAME OF PROJECT: 2ND GMS -TOURISM INFRASTRUCTURE FOR INCLUSIVE GROWTH WORKS PACKAGE -TIIGP2-LAO-W04 Subproject V5: Vang Vieng Solid Waste Management Improvements		SHEET NO.:	SHEET SIZE:
TITLE: GRouted STONES RIP-RAP END WALLS FOR PIPE CULVERT		00 OF 00	A3
DRAWING NO.: RAM-LAO-DED-W04-C-09		SCALE:	
REV:	DATE:		
R01	JULY 2020		



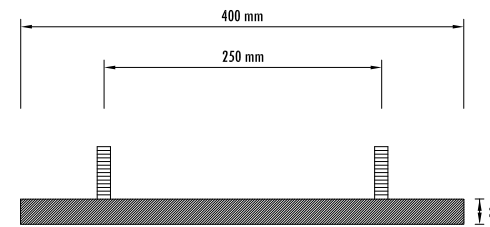
LAMP POST SINGLE BRACKET
SCALE 1:20



DETAIL 2
SCALE 1:5

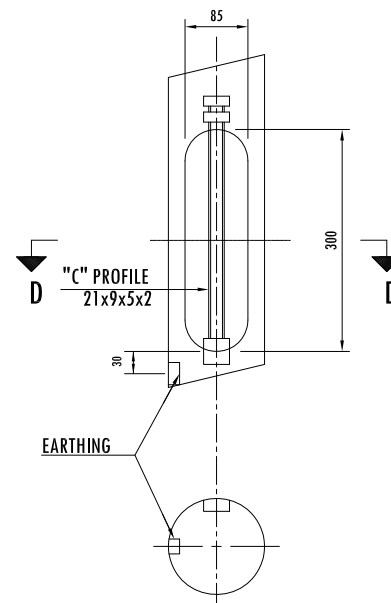


BASE PLATE
SCALE 1:5

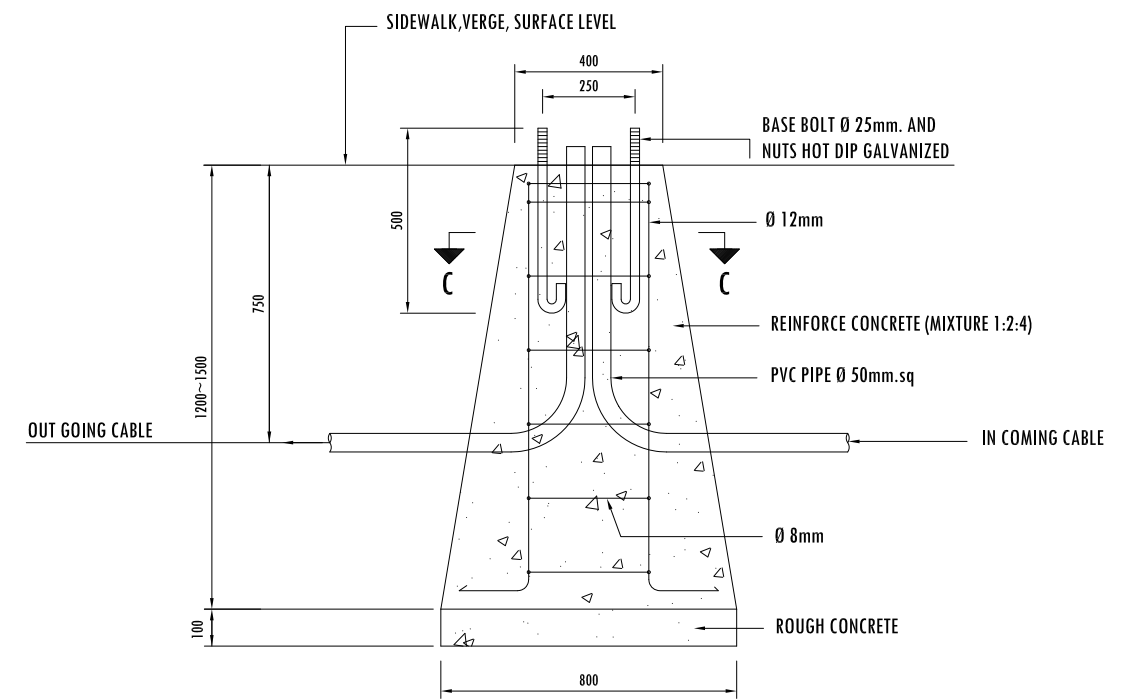


BASE PLATE
NOT TO SCALE

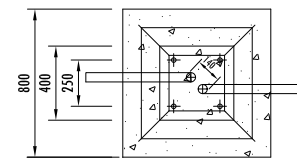
DETAIL 1
SCALE 1:5



SECTION D-D
SCALE 1:5



CONCRETE FOUNDATION WITH ANCHOR BOLT
SCALE 1:10



SECTION C-C
SCALE 1:20

NOTES:

1. THE LIGHTING POLE ARE IN ACCORDANCE WITH BRITISH STANDARD 1840. 1960. MENTIONED BELOW:
2. THE LIGHTING POLE ARE MADE WITH ROUND STEEL TUBES TAPERED COLUMNS DETACHABLE BRACKETS.
3. THICKNESS: Min 4 mm. TENSILE STRENGTH: Min 41 Kg/mm²
4. THE POLE AND OTHER FERROUS MATERIALS ARE GALVANIZED BOTH INSIDE AND OUTSIDE BY HOT DIPPED GALVANIZING IN ACCORDANCE WITH ASTM A525-78, 550Gm/m² Weight of Zinc.

LEAD CONSULTANT :



Hannemanns Alle 53
DK-2300 København S
Tlf. +45 5161 1000
Fax +45 5161 1001
www.ramboll.dk

SUB-CONSULTANT:



Waste Concern Consultants

Level- 4, House No.- 120/B, (Masjid Road) Road- 7
New DOHS Mohakhali Dhaka- 1207, Bangladesh
Tlf. + 880-2-48810-841, + 880-2-48810-842
Fax. + 880-2- 9899-486, Email- office@wasteconcern.org
www.wasteconcern.org

CLIENT :

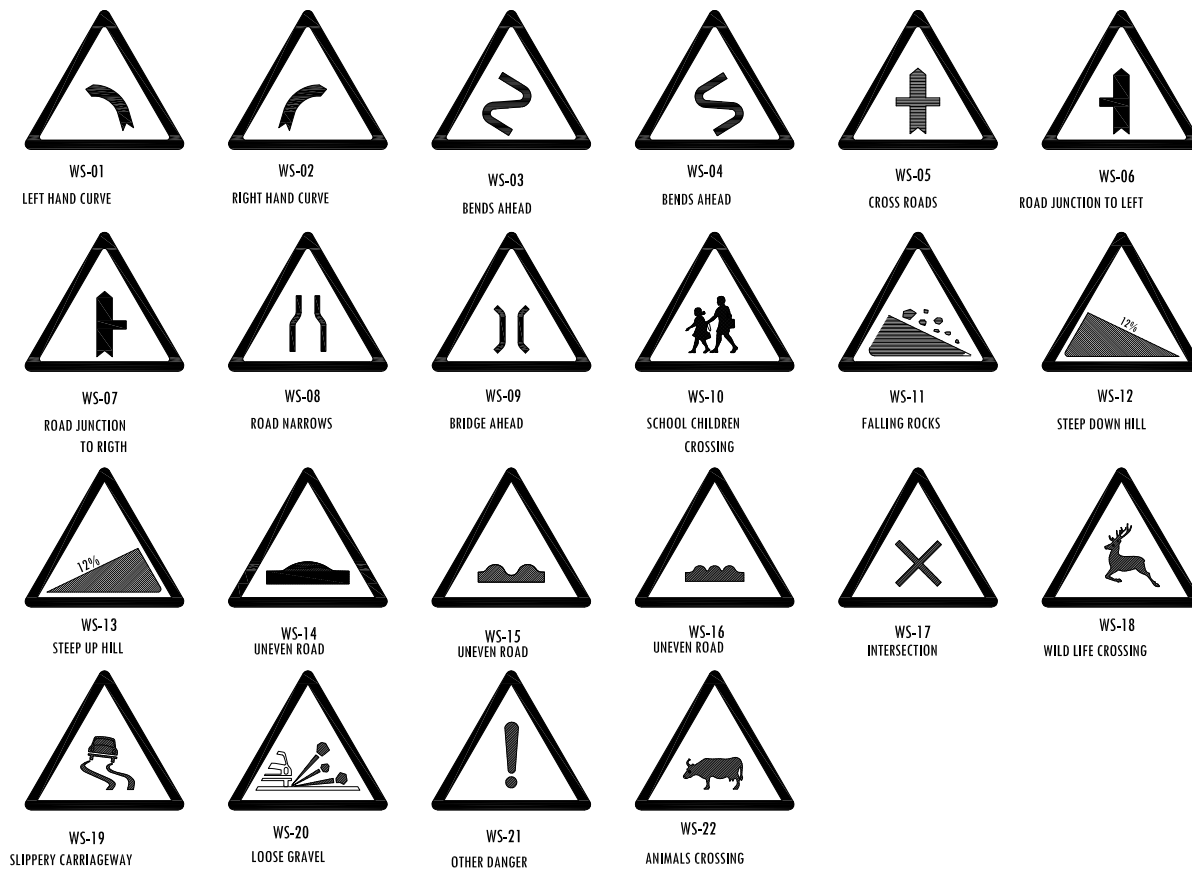


LAO PEOPLE'S DEMOCRATIC REPUBLIC (LAO PDR)
MINISTRY OF INFORMATION, CULTURE AND TOURISM

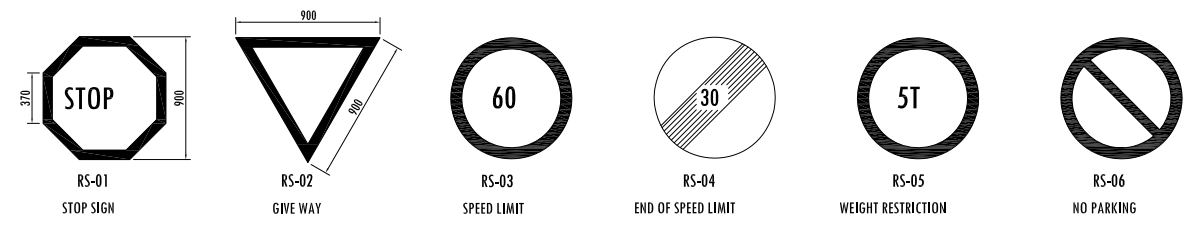
REV.	DATE	DESCRIPTION	DRN
RO1	20.07.2020	PRELIMINARY ISSUE	

DESIGNED/DRAWN: _____
CHECKED: _____
APPROVED: _____

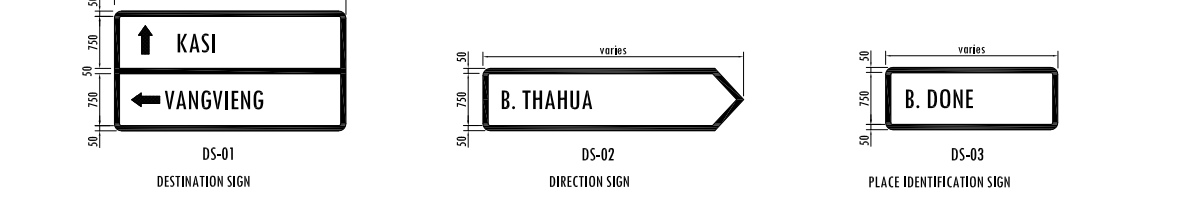
NAME OF PROJECT: 2ND GMS -TOURISM INFRASTRUCTURE FOR INCLUSIVE GROWTH WORKS PACKAGE -TIIGP2-LAO-W04		SHEET NO.:	SHEET SIZE:
Subproject V5: Vang Vieng Solid Waste Management Improvements		00 OF 00	A3
TITLE: LAMP POST AND CONCRETE FOUNDATION WITH ANCHOR BOLT		SCALE:	
DRAWING NO.:	RAM-LAO-DED-W04-C-10	REV:	DATE:
		R01	JULY 2020



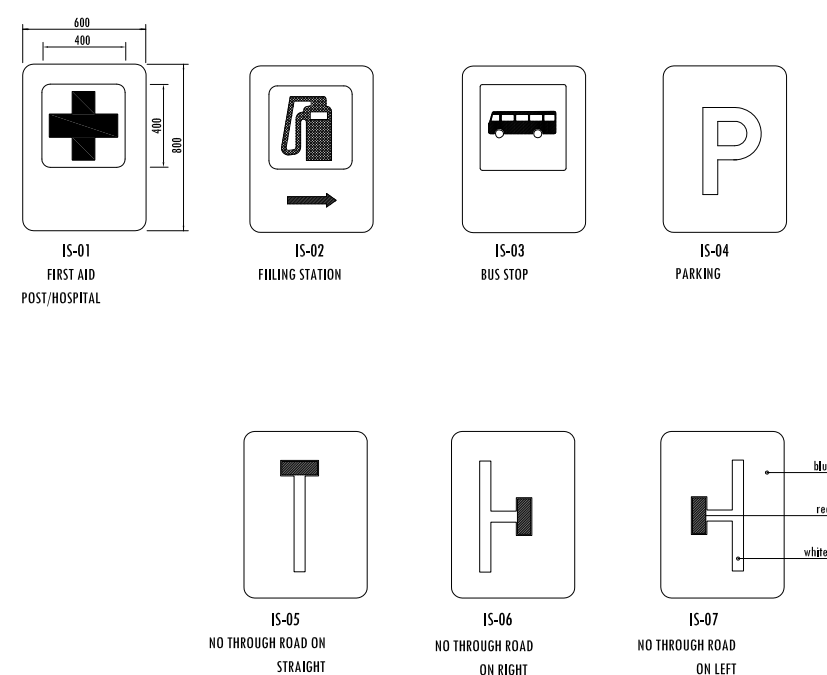
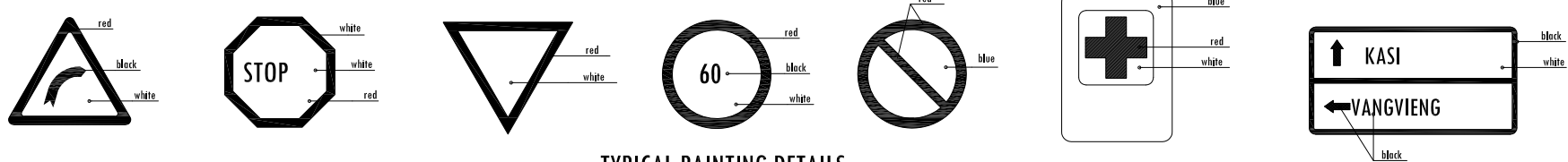
WARNING SIGNS



REGULATORY SIGNS



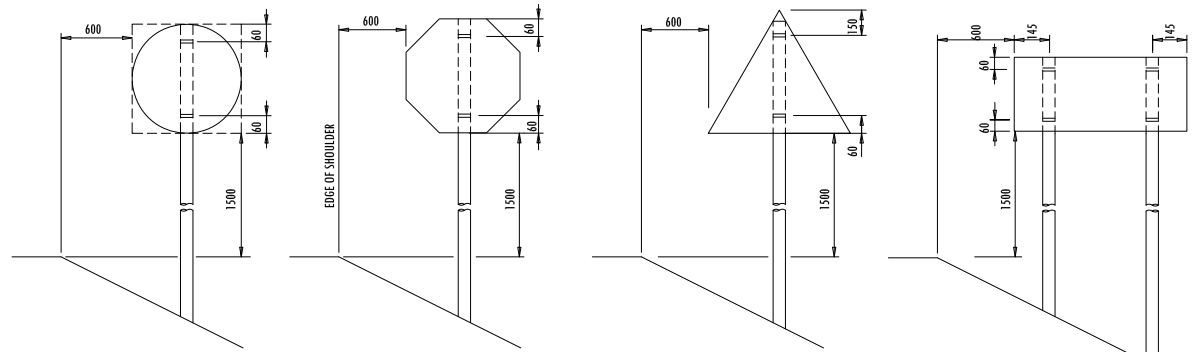
TYPICAL DIRECTION SIGNS



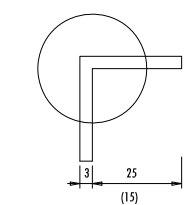
INFORMATION SIGNS

SIGN TYPE	< 60kph		≥ 60kph	
	FACE	BORDER	FACE	BORDER
WARNING SIGNS	600	55	900	75
STOP	900	55	900	75
GIVE WAY	900	75	900	75
REGULATORY	600	75	900	75

SIGN SIZES

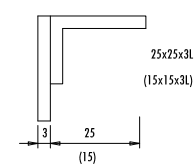


SIGN LOCATIONS



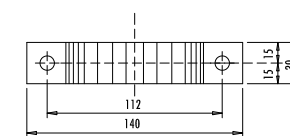
PRE FORMED FLANGE

(FLANGE TO BE FORMED ON ALL EDGES)

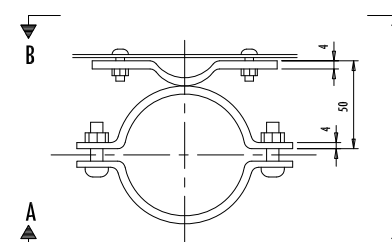


ANGLE STIFFENING SIGN PLATE EDGES

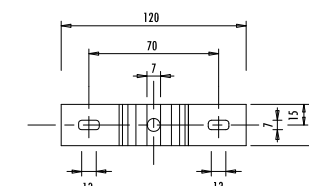
(FIGURES IN BRACKETS FOR 600 m SIZE SIGN FACES)



ELEVATION A-A

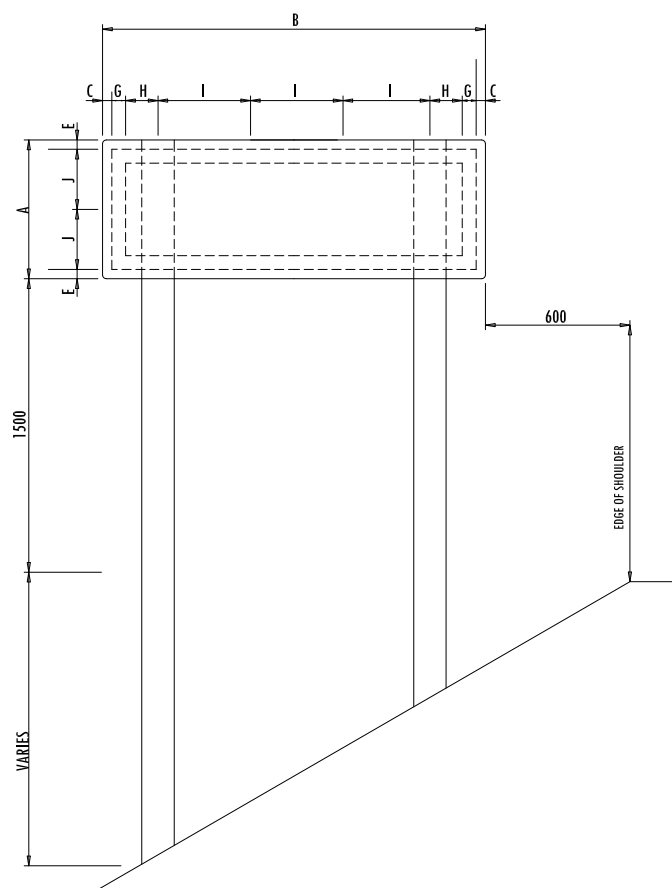


PLAN



SECTION B-B

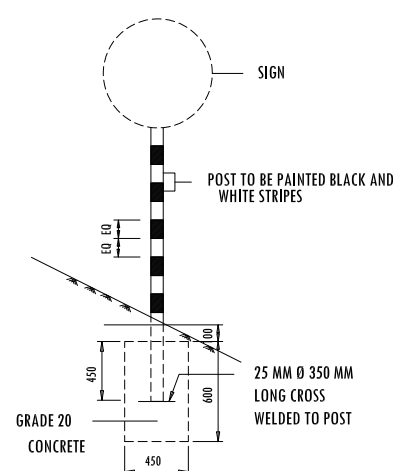
DETAIL OF FIXING ALL TYPE OF SIGN BOARDS



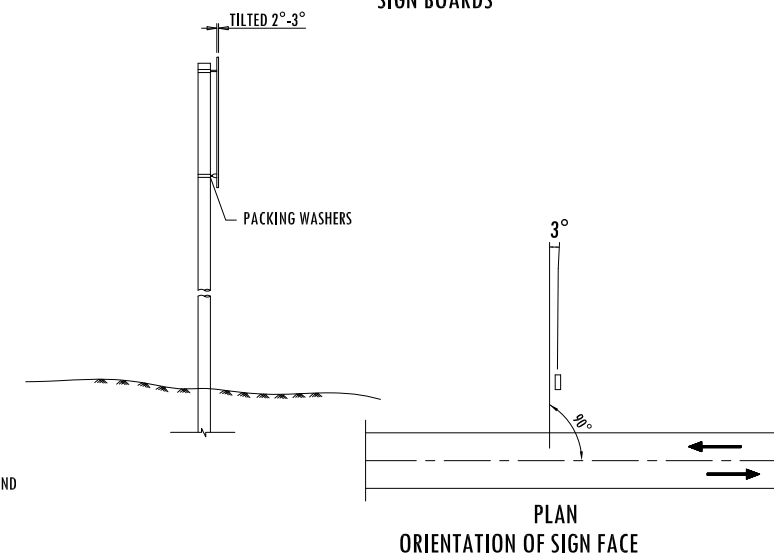
No	SIGN SIZE		DIMENSION					
	A	B	C	E	G	H	I	J
1	600	1800	50	50	75	275	500	250
2	650	1800	50	50	75	275	500	275
3	750	1800	50	50	75	275	500	325
4	900	1800	50	125	75	275	500	275
5	600	2100	50	50	75	175	500	250
6	750	2100	50	50	75	175	500	325
7	750	2400	200	125	75	175	500	250

TYPICAL ADVANCE DIRECTION SIGN FIXING DETAILS

(I AND J SHOW TYPICAL LOCATION OF SIGN FACE-EDGE STIFFENING FIXING HOLES)



FOUNDATION DETAIL



PLAN ORIENTATION OF SIGN FACE

LEAD CONSULTANT :



Hannemanns Alle 53
DK-2300 København S
Tlf. +45 5161 1000
Fax +45 5161 1001
www.ramboll.dk

SUB-CONSULTANT:



Waste Concern Consultants

Level- 4, House No.- 120/B, (Masjid Road) Road- 7
New DOHS Mohakhali Dhaka- 1207, Bangladesh
Tlf. + 880-2-48810-841, + 880-2-48810-842
Fax. + 880-2- 9899-486, Email- office@wasteconcern.org
www.wasteconcern.org

CLIENT :



LAO PEOPLE'S DEMOCRATIC REPUBLIC (LAO PDR)
MINISTRY OF INFORMATION, CULTURE AND TOURISM

REV.	DATE	DESCRIPTION	DRN
RO1	20.07.2020	PRELIMINARY ISSUE	

DESIGNED/DRAWN:

CHECKED:

APPROVED:

NAME OF PROJECT:
**2ND GMS -TOURISM INFRASTRUCTURE FOR INCLUSIVE GROWTH
WORKS PACKAGE -TIIGP2-LAO-W04**

Subproject V5: Vang Vieng Solid Waste Management Improvements

TITLE:
ROAD TRAFFIC SIGNS INSTALLATION

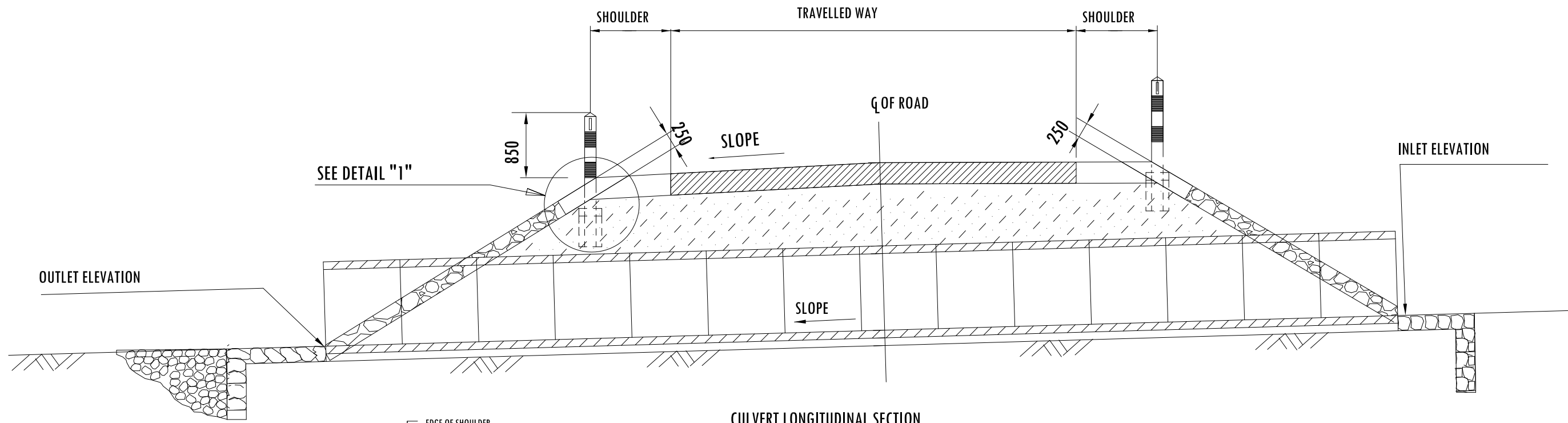
DRAWING NO.: RAM-LAO-DED-W04-C-12

SHEET NO.: 00 OF 00

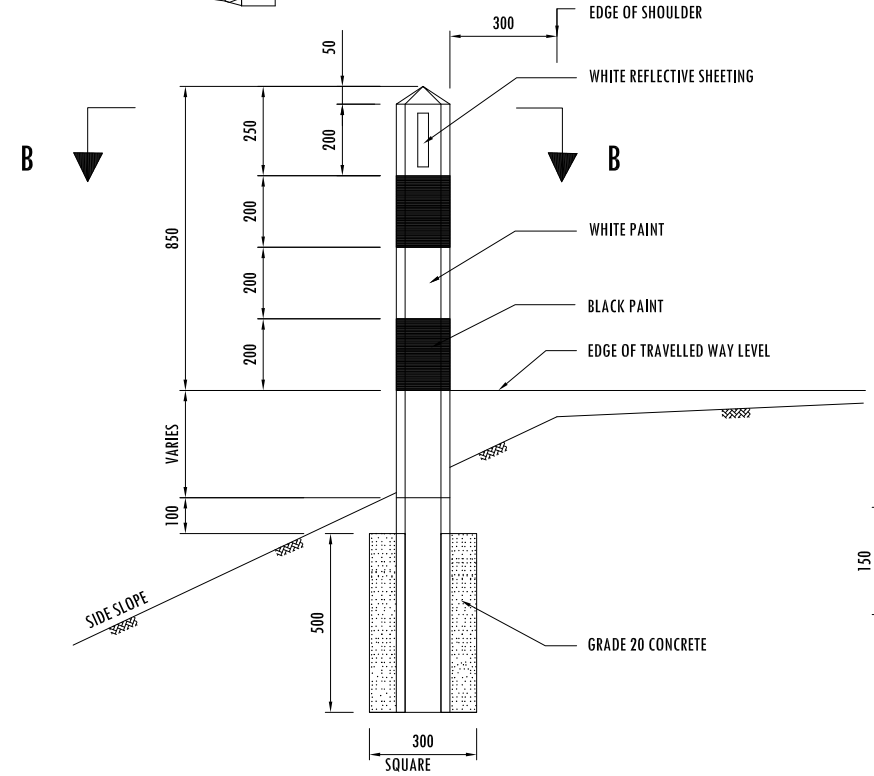
SHEET SIZE: A3

SCALE:

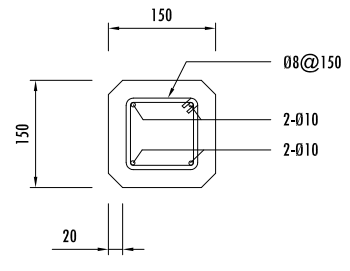
REV: R01 DATE: JULY 2020



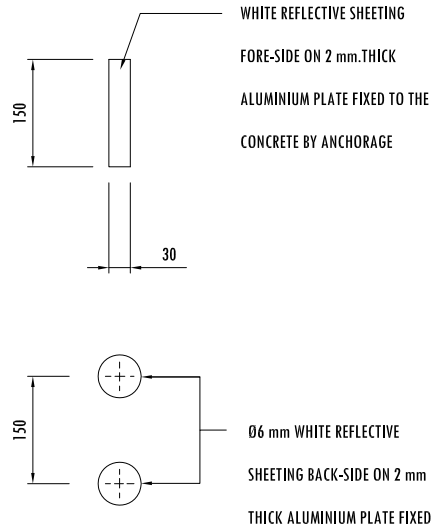
CULVERT LONGITUDINAL SECTION



DETAIL 1



SECTION B-B



NOTES:

1. DIMENSIONS ARE IN MILLIMETRES UNLESS OTHERWISE INDICATED.
2. POST SHALL BE ERECTED TRULY VERTICAL
3. CONCRETE FOR POST SHALL BE GRADE 25.
4. REINFORCEMENT SHALL BE GRADE 40.
5. COVER TO REINFORCEMENT TO BE 30mm MINIMUM
6. GUIDE POSTS SHALL ONLY BE USED WHERE INSTRUCTED BY THE ENGINEER.

LEAD CONSULTANT :

Hannemanns Alle 53
DK-2300 København S
Tlf. +45 5161 1000
Fax +45 5161 1001
www.ramboll.dk

SUB-CONSULTANT:

Waste Concern Consultants
Level- 4, House No.- 120/B, (Masjid Road) Road- 7
New DOHS Mohakhali Dhaka- 1207, Bangladesh
Tlf. + 880-2-48810-841, + 880-2-48810-842
Fax. + 880-2- 9899-486, Email- office@wasteconcern.org
www.wasteconcern.org

CLIENT :

LAO PEOPLE'S DEMOCRATIC REPUBLIC (LAO PDR)
MINISTRY OF INFORMATION, CULTURE AND TOURISM

REV.	DATE	DESCRIPTION	DRN
RO1	20.07.2020	PRELIMINARY ISSUE	

DESIGNED/DRAWN: /...
CHECKED: /...
APPROVED: /...

NAME OF PROJECT:
2ND GMS -TOURISM INFRASTRUCTURE FOR INCLUSIVE GROWTH
WORKS PACKAGE -TIIGP2-LAO-W04
Subproject V5: Vang Vieng Solid Waste Management Improvements

TITLE:
GUIDE POST INSTALLATION AT CULVERT LOCATION

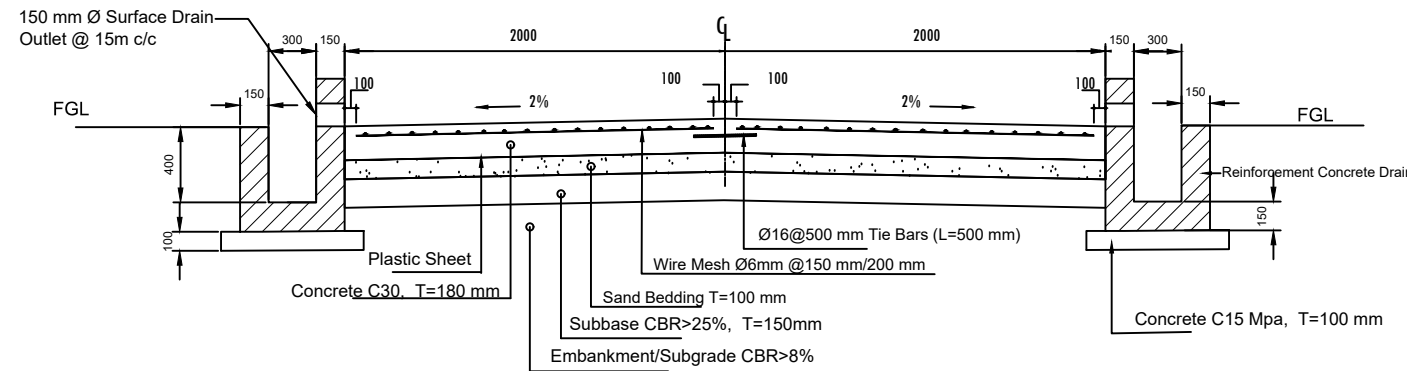
DRAWING NO.: RAM-LAO-DED-W04-C-13

SHEET NO.: 00 OF 00
SCALE: /...
SHEET SIZE: A3

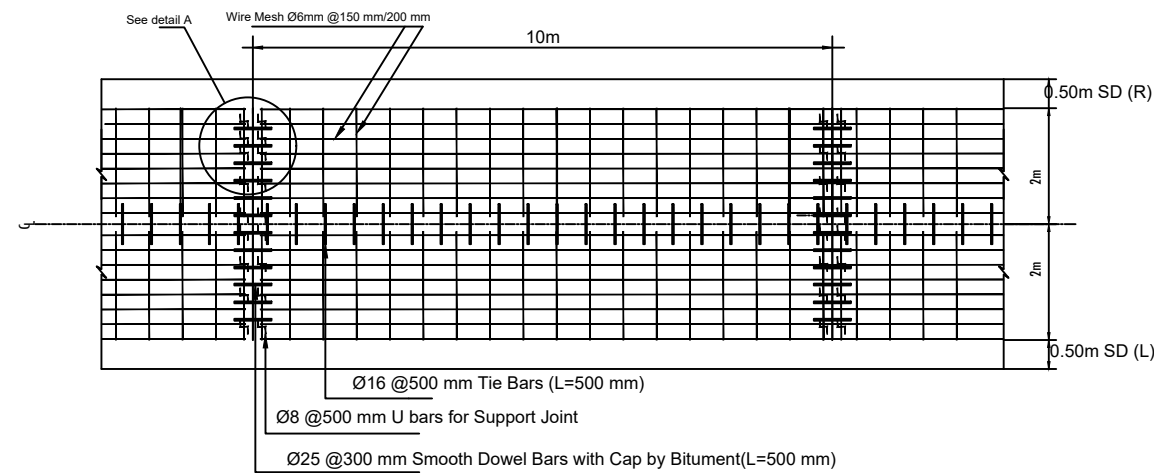
REV: R01
DATE: JULY 2020

Internal road cross section 1-1 & 2-2 in drawing C-04-3

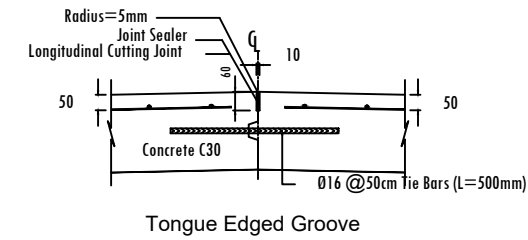
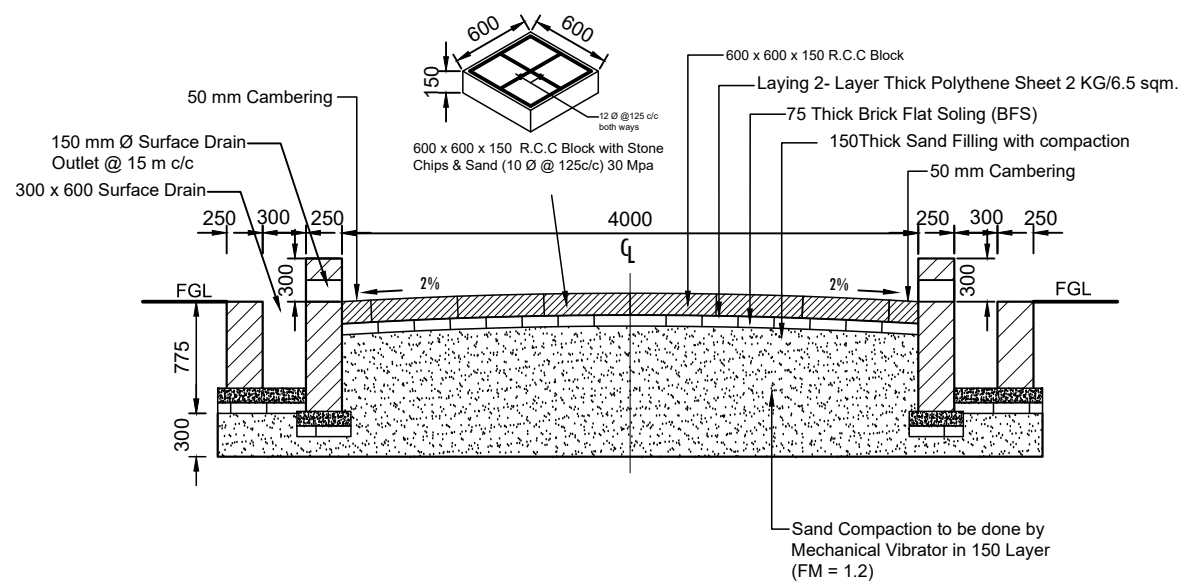
(Not To Scale)



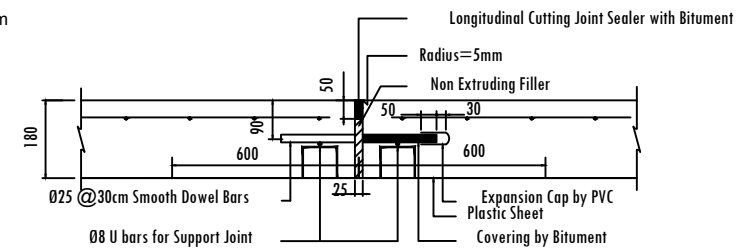
Reinforcement Concrete Road Pavement Layout



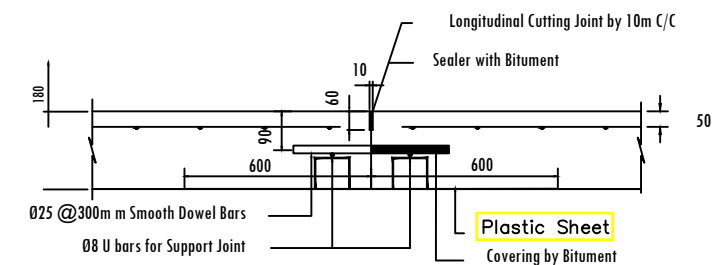
R.C.C Block Internal Road: Cross Section 2-2 & Surface Drain



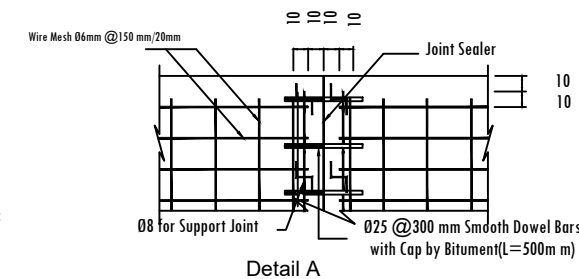
Tongue Edged Groove



Expansion Joint Every 100m Longitudinal Section



Construction Joint Every 10m Longitudinal Section



Note:

- All Dimension Measurements in Meter unless otherwise indicated
- Sealer Joint for Expansion shall be 100 meter interval, if Last section Joint on the Length shall be less than 100 meter
- Locations Expansion Joint shall be outside of span Bridge or Box Culvert at both sides along Linear of Road Cross-Section
- Materials for Sealer Expansion Joint shall be stability in hot condition with conforming Standard AASHTO M-173 or ASTM-D3405
- Materials for Sealer Construction Joint shall conforming Standard AASHTO M213-74 or ASTM.D1751-73
- Concrete Shall be 30Mpa according Technical Specification
- Steel Reinforcement shall be high strength of tension with conforming Standard AASHTO M31 as:
 - Ø>10mm to be Deformed Bar of Standard AASHTO M31 Grade 60 unless otherwise indicated
 - Ø<10mm to be Round Bar of Standard AASHTO M31 Grade 40
- Plastic Sheets laid in below Concrete slab shall be conforming Standard appropriate as:
 - Thickness of Plastic Sheet shall be not less than 0.07mm with inaccurate not exceed 7%
 - Width of Plastic Sheet shall be not less than 1.20m
 - Plastic Sheet shall be not color and preven water leakage

LEAD CONSULTANT:

Hannemanns Alle'53
DK-2300 København S
Tlf. +45 5161 1000
Fax +45 5161 1001
www.ramboll.dk

SUB-CONSULTANT:

Waste Concern Consultants
Level- 4, House No.- 120/B, (Masjid Road) Road- 7
New DOHS Mohakhali Dhaka- 1207, Bangladesh
Tlf. + 880-2-48810-841, + 880-2-48810-842
Fax. + 880-2- 9899-486, Email- office@wasteconcern.org
www.wasteconcern.org

CLIENT:

LAO PEOPLE'S DEMOCRATIC REPUBLIC (LAO PDR)
MINISTRY OF INFORMATION, CULTURE AND TOURISM

REV.	DATE	DESCRIPTION	DRN
RO1	20.07.2020	PRELIMINARY ISSUE	

DESIGNED/DRAWN: ---
CHECKED: ---
APPROVED: ---

NAME OF PROJECT:
2ND GMS –TOURISM INFRASTRUCTURE FOR INCLUSIVE GROWTH
WORKS PACKAGE -TIIGP2-LAO-W04
Subproject V5: Vang Vieng Solid Waste Management Improvements

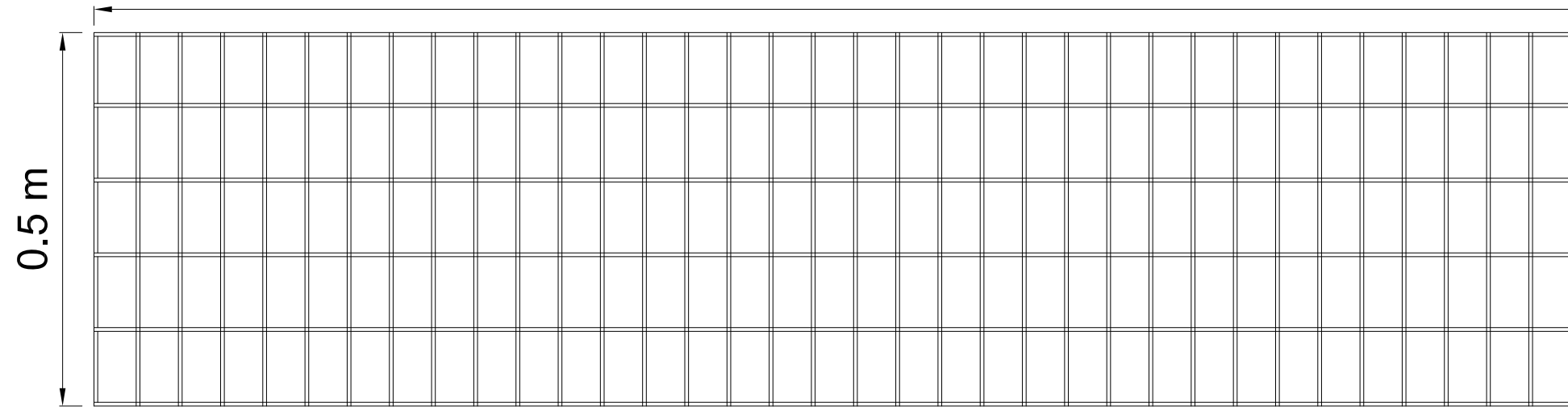
TITLE:
Internal Road & RCC Block Road Cross Sections

DRAWING NO.: RAM-LAO-DED-W04-C-14

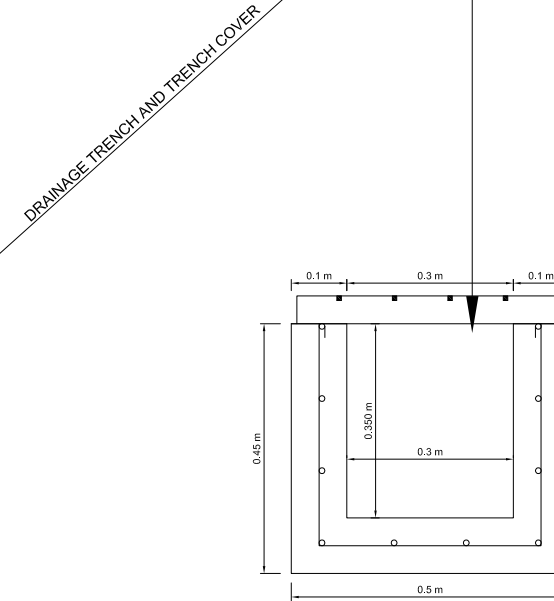
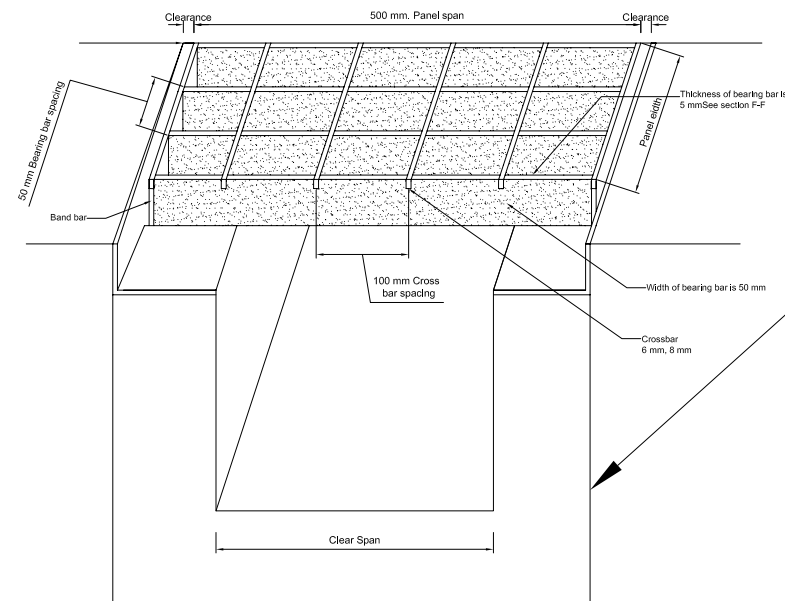
SHEET NO.: 00 OF 00
SCALE: ---
SHEET SIZE: A3

REV: R01
DATE: JULY 2020

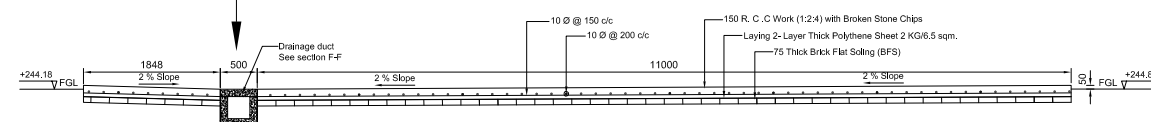
Length of drainage trench cover is 2 m



1. Material : 304 316 stainless steel
2. Welding type : ssaged locked, pressure locked, weled, weaved locked, revited locked
3. Grating Style : Plain, smooth, serrated,/teeth, I bar, serrated I bar
4. Length & width : customized
5. Cross bar : 6mmØ & 8mmØ
6. Cross bar spacing : 50mm & 100mm c/c
7. Bearing bar thinkness: 3mm 4mm 5mm
8. Bearing bar depth : 25 30 32 35 40 45 50 60mm



F - F



R.C.C Internal Road:
Cross Section 4-4 &
Surface Drain
Scale - 1:30

Road cross section 4-4 in drawing C-04-3

LEAD CONSULTANT :



Hannemanns Alle 53
DK-2300 København S
Tlf. +45 5161 1000
Fax +45 5161 1001
www.ramboll.dk

SUB-CONSULTANT:



Waste Concern Consultants

Level- 4, House No.- 120/B, (Masjid Road) Road- 7
New DOHS Mohakhali Dhaka- 1207, Bangladesh
Tlf. + 880-2-48810-841, + 880-2-48810-842
Fax. + 880-2- 9899-486, Email- office@wasteconcern.org
www.wasteconcern.org

CLIENT :



LAO PEOPLE'S DEMOCRATIC REPUBLIC (LAO PDR)
MINISTRY OF INFORMATION, CULTURE AND TOURISM

REV.	DATE	DESCRIPTION	DRN
RO1	20.07.2020	PRELIMINARY ISSUE	

DESIGNED/DRAWN:

CHECKED:

APPROVED:

NAME OF PROJECT:
2ND GMS -TOURISM INFRASTRUCTURE FOR INCLUSIVE GROWTH
WORKS PACKAGE -TIIGP2-LAO-W04

Subproject V5: Vang Vieng Solid Waste Management Improvements

TITLE:
Internal RCC Road & RCC Block Road Cross Sections

DRAWING NO.: RAM-LAO-DED-W04-C-16

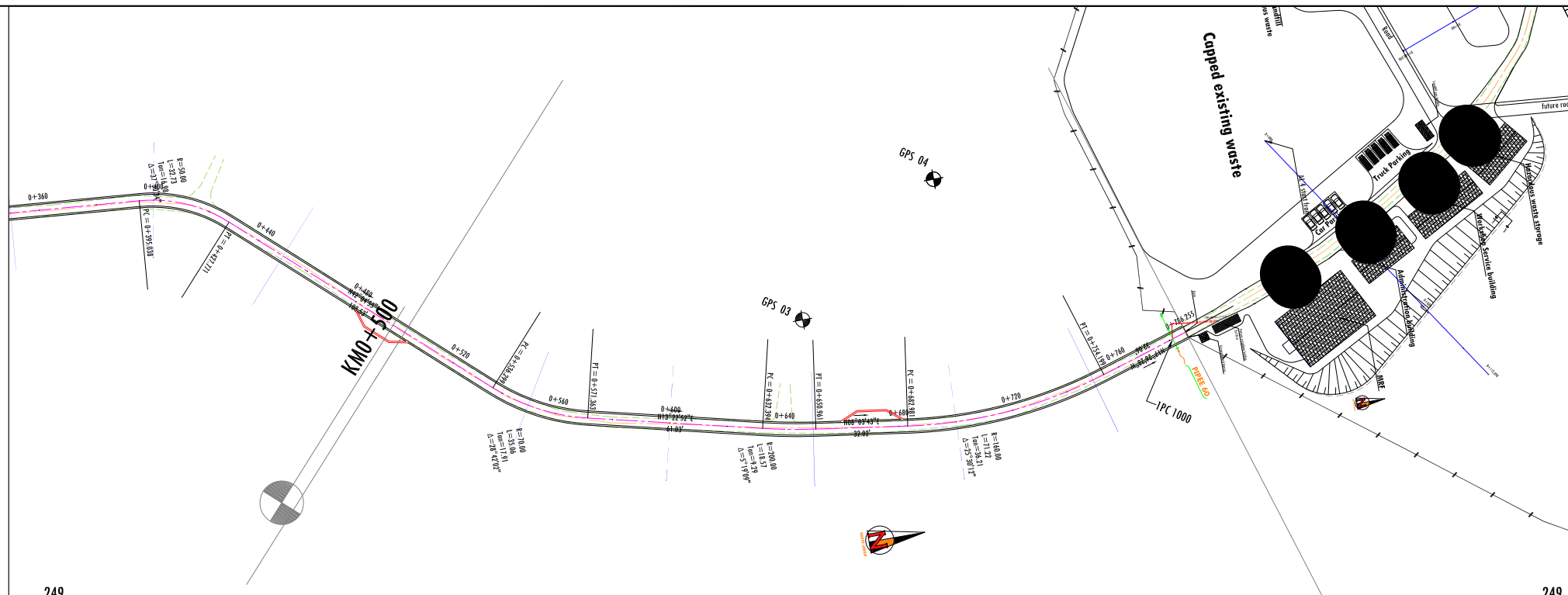
SHEET NO.: 00 OF 00

SCALE: A3

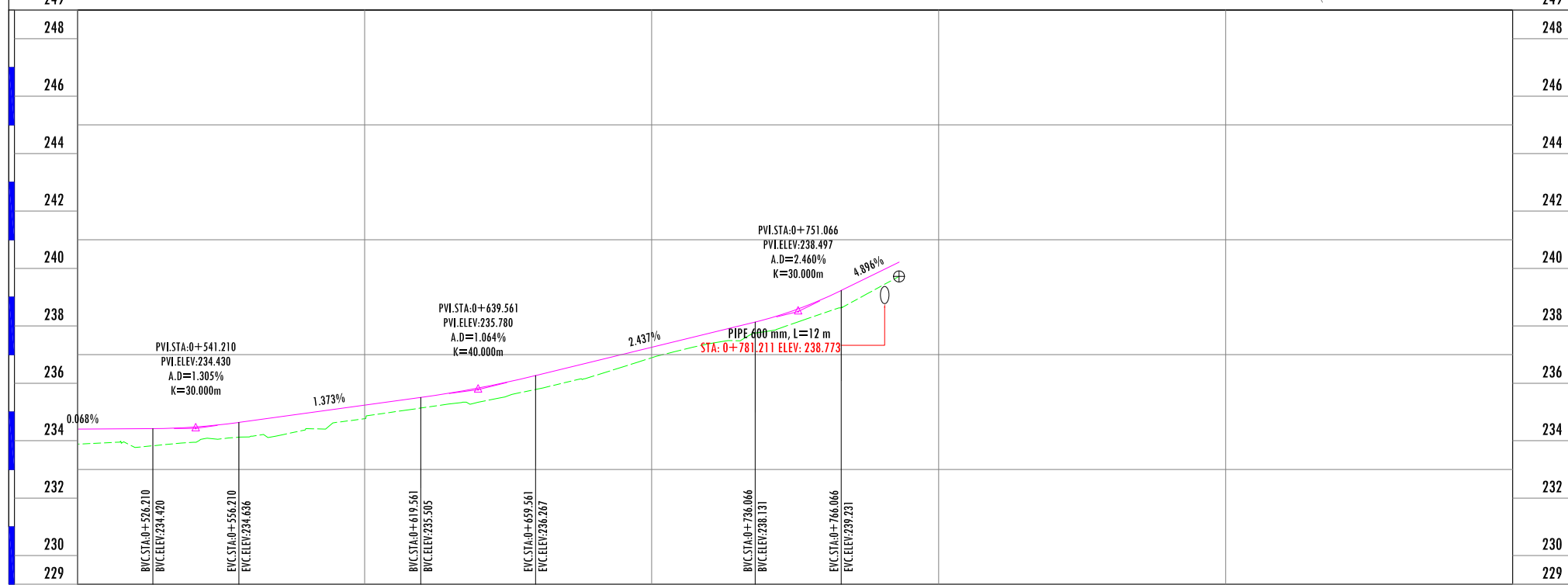
REV: R01

DATE: JULY 2020

Plan



Profile



V-CURVE DATA	L=48.888 g=0.068%		L=30.000 Rv=2299		L=63.351 g=1.373%		L=40.000 Rv=3759		L=76.594 g=2.437%		L=30.000 Rv=1220		L=20.189 g=4.896%	
PROFILE LEVEL	234.402	234.419	234.559	234.894	235.237	235.584	236.047	236.644	237.253	237.862	238.551	239.669		
EXISTING LEVEL	233.881	233.811	234.063	234.282	234.764	235.214	235.562	236.146	236.886	237.461	238.101	239.108		
HEIGHT DIFFERENCE	0.521	0.608	0.497	0.612	0.473	0.370	0.484	0.497	0.366	0.400	0.449	0.561		
CHAINAGE	0+500				0+600				0+700				0+786	

SYMBOLS

- NORTH DIRECTION
- BENCH MARK
- OFFSET STATION MARKS
- PC & PT
- RICE FIELD
- PIPE CULVERT
- BOX CULVERT
- FENCE
- BRIDGE
- CONCRETE WALL
- HOUSE
- ELECTRIC POLE
- FLOW DIRECTION
- POND OR RIVER
- RARE FOREST
- DENSE FOREST
- PROPOSED ROAD
- ROAD SIGN/XX-YY
- STATION POINTS
- EXPENTION JOINS
- CONSTRUCTION JOINS

LIST OF CONTROL SURVEY RESULT

POINT NAME	Y (N)	X (E)	ELEVATION
GPS - 01	2087224.544	236933.248	230.323
GPS - 02	2087203.671	236972.606	230.103
GPS - 03	2087825.926	237125.031	234.942
GPS - 04	2087879.362	237084.704	236.566

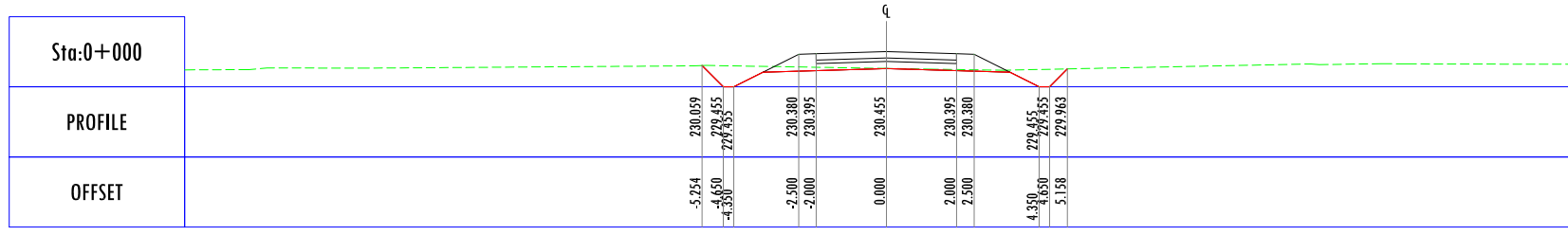
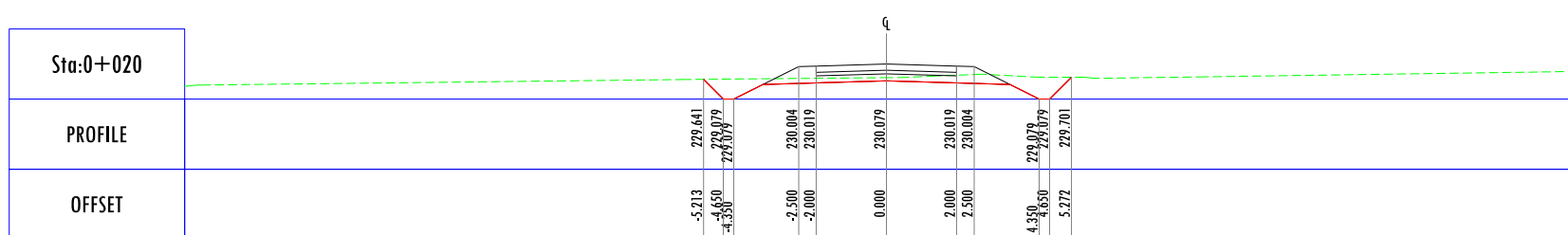
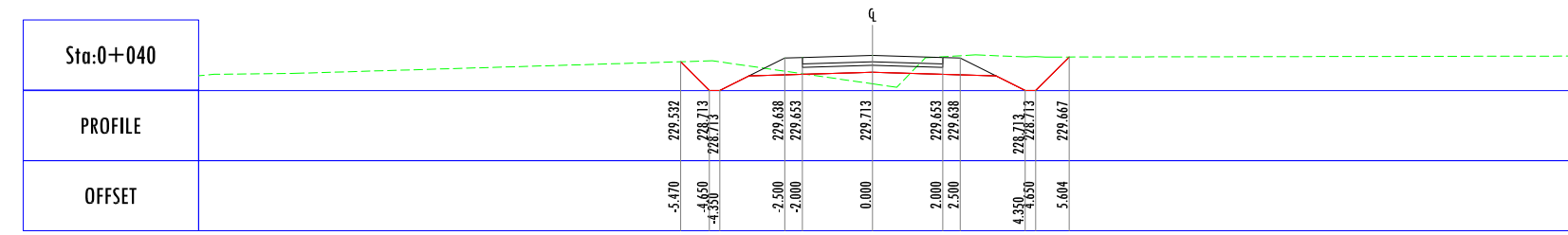
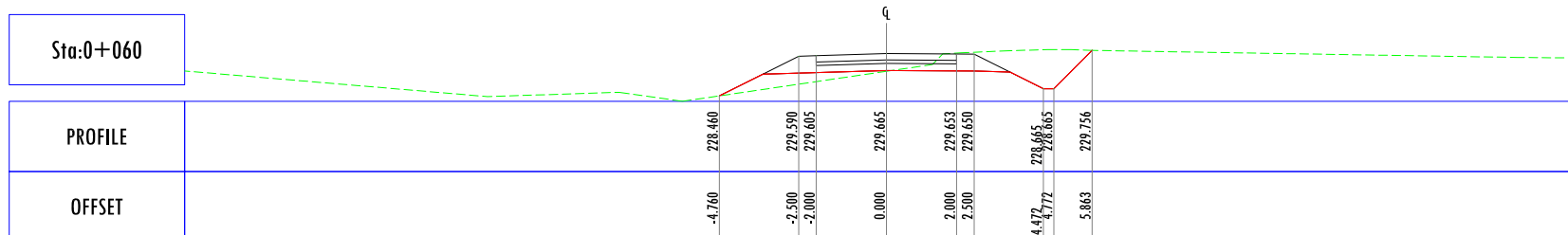
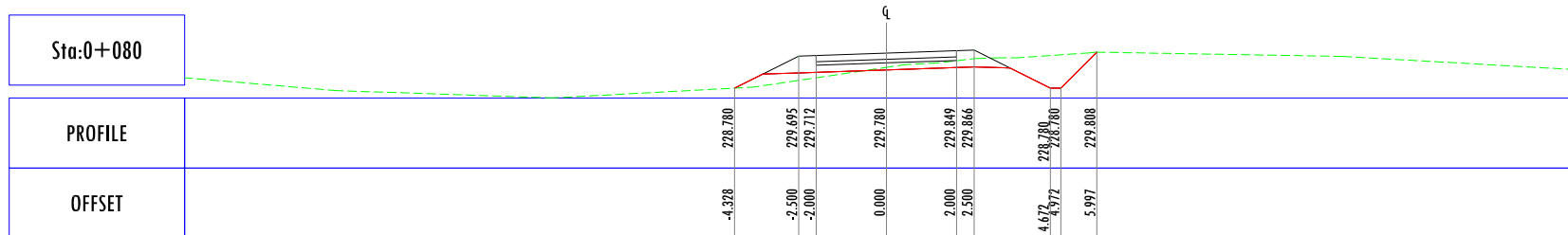
LEAD CONSULTANT :
RAMBOLL
Hannemanns Alle 53
DK-2300 København S
Tlf. +45 5161 1000
Fax +45 5161 1001
www.ramboll.dk

SUB-CONSULTANT:
Waste Concern Consultants
Level- 4, House No.- 120/B, (Masjid Road) Road-7
New DOHS Mohakhali Dhaka- 1207, Bangladesh
Tlf. + 880-2-48810-841, + 880-2-48810-842
Fax. + 880-2- 9899-486, Email- office@wasteconcern.org
www.wasteconcern.org

CLIENT :
LAOS
LAO PEOPLE'S DEMOCRATIC REPUBLIC (LAO PDR)
MINISTRY OF INFORMATION, CULTURE AND TOURISM

REV.	DATE	DESCRIPTION	DRN
RO1	20.07.2020	PRELIMINARY ISSUE	

DESIGNED/DRAWN: _____
CHECKED: _____
APPROVED: _____
NAME OF PROJECT:
2ND GMS -TOURISM INFRASTRUCTURE FOR INCLUSIVE GROWTH
WORKS PACKAGE -TIIGP2-LAO-W04
Subproject V5: Vang Vieng Solid Waste Management Improvements
TITLE: PLAN AND PROFILE
DRAWING NO.: RAM-LAO-DED-W04-C-01-2
SHEET NO.: 00 OF 00
SHEET SIZE: A3
SCALE: _____
REV: R01
DATE: JULY 2020



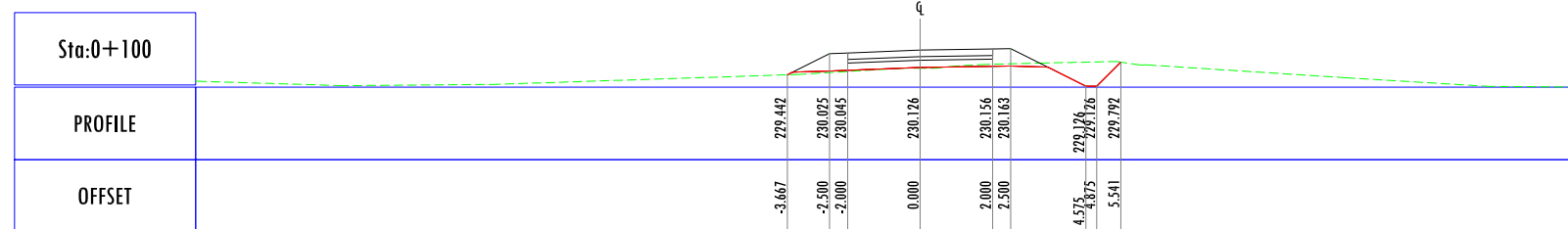
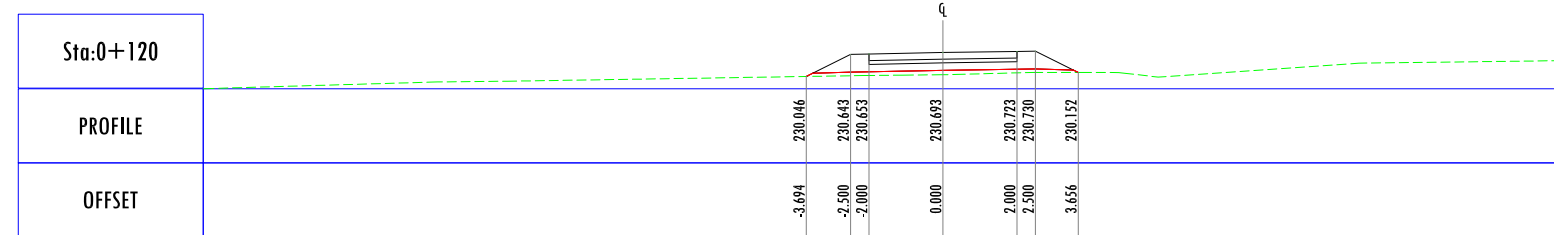
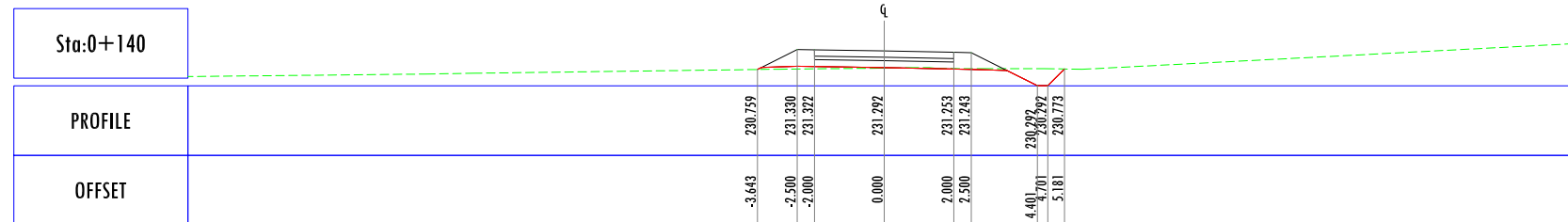
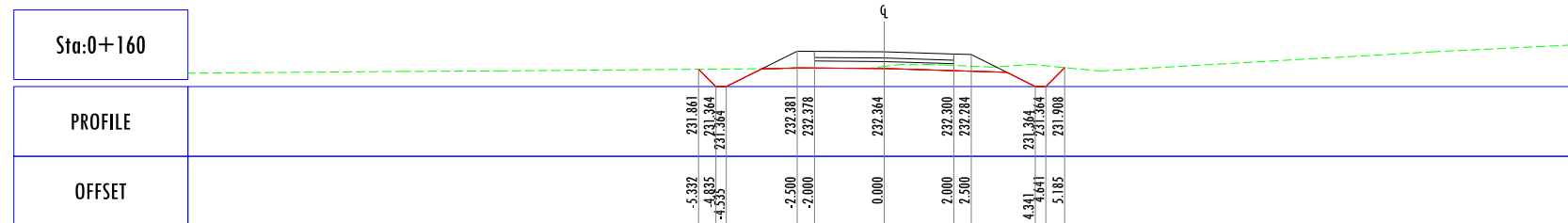
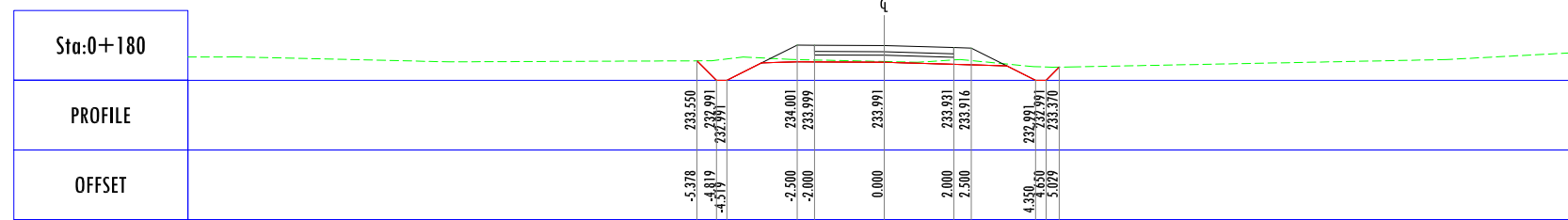
LEAD CONSULTANT :
 Hannemanns Alle 53
 DK-2300 København S
 Tlf. +45 5161 1000
 Fax +45 5161 1001
 www.ramboll.dk

SUB-CONSULTANT:
Waste Concern Consultants
 Level- 4, House No.- 120/B, (Masjid Road) Road- 7
 New DOHS Mohakhali Dhaka- 1207, Bangladesh
 Tlf. + 880-2-48810-841, + 880-2-48810-842
 Fax. + 880-2- 9899-486, Email- office@wasteconcern.org
 www.wasteconcern.org

CLIENT :
LAOS
 LAO PEOPLE'S DEMOCRATIC REPUBLIC (LAO PDR)
 MINISTRY OF INFORMATION, CULTURE AND TOURISM

DESIGNED/DRAWN:	
CHECKED:	
APPROVED:	
REV.	DATE
01	20.07.2020
	PRELIMINARY ISSUE
	DESCRIPTION
	DRN

NAME OF PROJECT: 2ND GMS –TOURISM INFRASTRUCTURE FOR INCLUSIVE GROWTH WORKS PACKAGE -TIIGP2-LAO-W04 Subproject V5: Vang Vieng Solid Waste Management Improvements	
TITLE: CROSS SECTION	SHEET NO.: 00 OF 00
DRAWING NO.: RAM-LAO-DED-W04-C-01-3	SHEET SIZE: A3
REV: R01	DATE: JULY 2020




LEAD CONSULTANT :

 Hannemanns Alle 53
 DK-2300 København S
 Tlf. +45 5161 1000
 Fax +45 5161 1001
 www.ramboll.dk

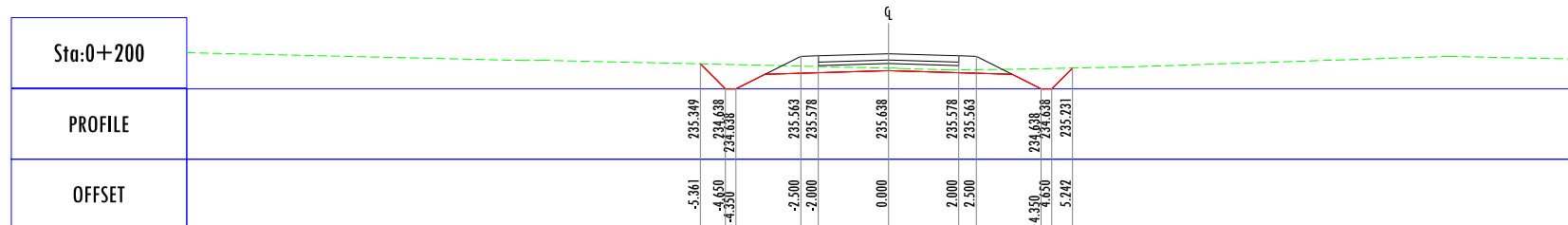
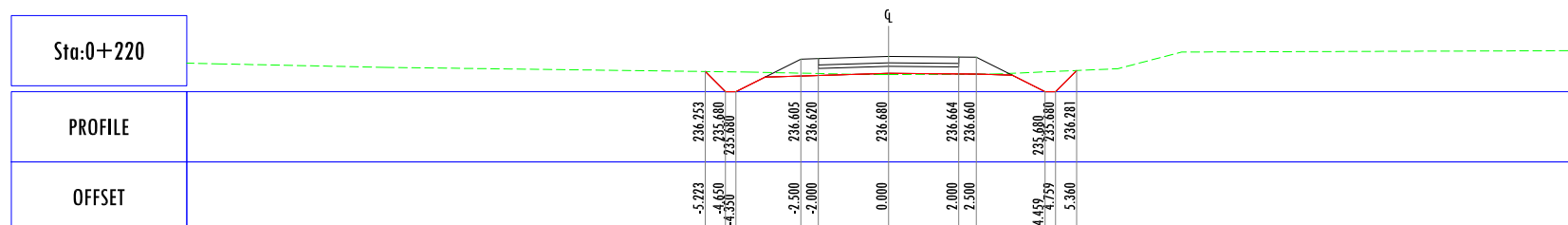
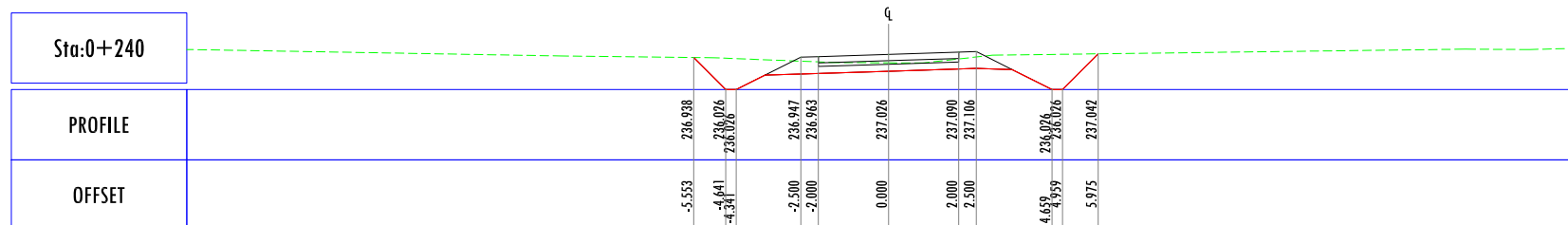
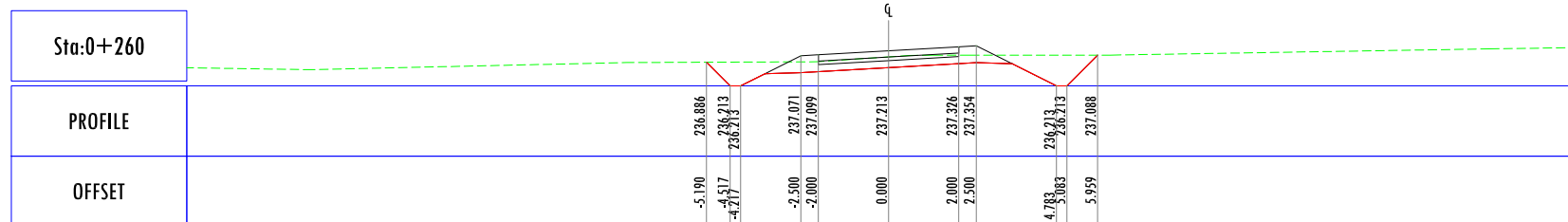
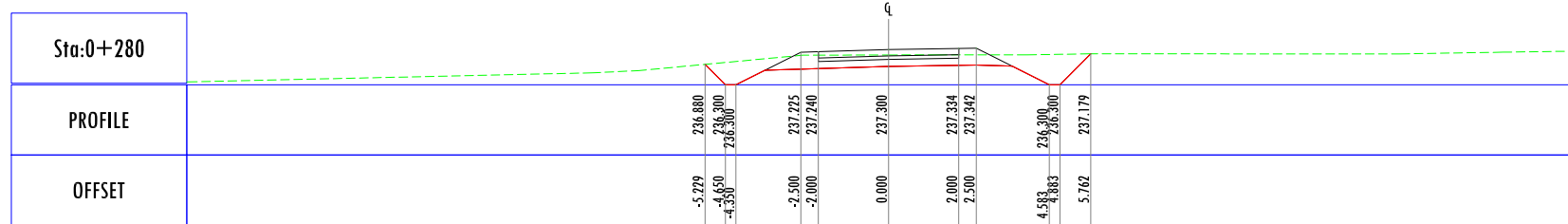
SUB-CONSULTANT:

Waste Concern Consultants
 Level- 4, House No.- 120/B, (Masjid Road) Road- 7
 New DOHS Mohakhali Dhaka- 1207, Bangladesh
 Tlf. + 880-2-48810-841, + 880-2-48810-842
 Fax. + 880-2- 9899-486, Email- office@wasteconcern.org
 www.wasteconcern.org

CLIENT :

LAO PEOPLE'S DEMOCRATIC REPUBLIC (LAO PDR)
MINISTRY OF INFORMATION, CULTURE AND TOURISM

DESIGNED/DRAWN:	
CHECKED:	
APPROVED:	
REV.	DATE
RO1	20.07.2020
	PRELIMINARY ISSUE
	DESCRIPTION
	DRN

NAME OF PROJECT: 2ND GMS –TOURISM INFRASTRUCTURE FOR INCLUSIVE GROWTH WORKS PACKAGE -TIIGP2-LAO-W04 Subproject V5: Vang Vieng Solid Waste Management Improvements	
TITLE: CROSS SECTION	SHEET NO.: 00 OF 00
DRAWING NO.: RAM-LAO-DED-W04-C-01-4	SHEET SIZE: A3
REV: R01	DATE: JULY 2020



LEAD CONSULTANT :




Hannemanns Alle 53
DK-2300 København S
Tlf. +45 5161 1000
Fax +45 5161 1001
www.ramboll.dk

SUB-CONSULTANT:



Waste Concern Consultants
Level- 4, House No.- 120/B, (Masjid Road) Road- 7
New DOHS Mohakhali Dhaka- 1207, Bangladesh
Tlf. + 880-2-48810-841, + 880-2-48810-842
Fax. + 880-2- 9899-486, Email- office@wasteconcern.org
www.wasteconcern.org

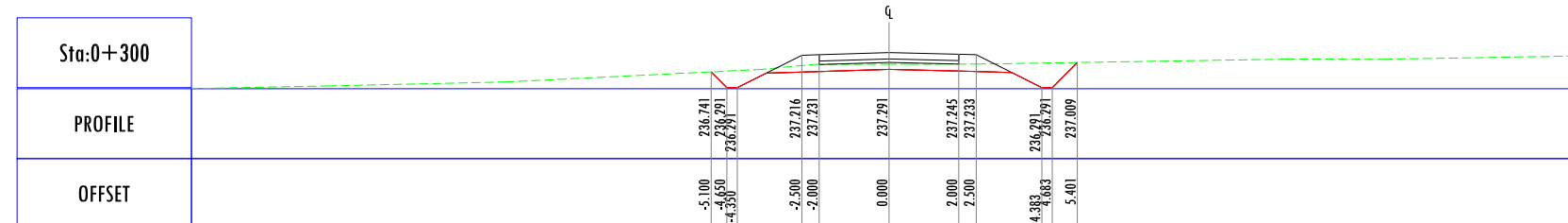
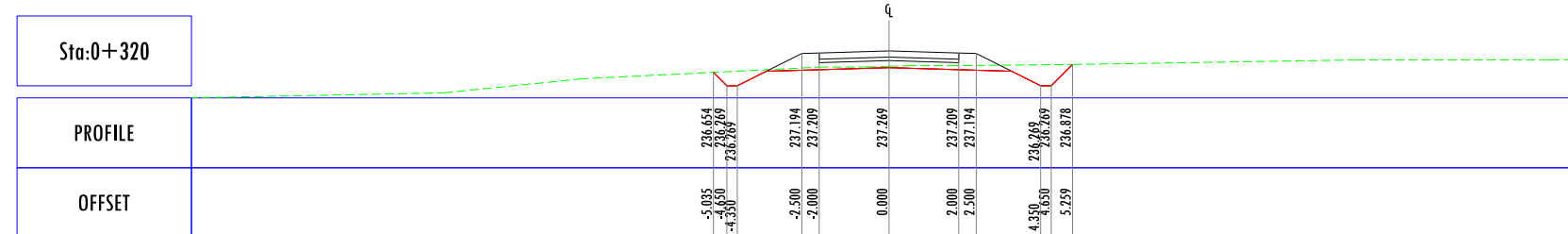
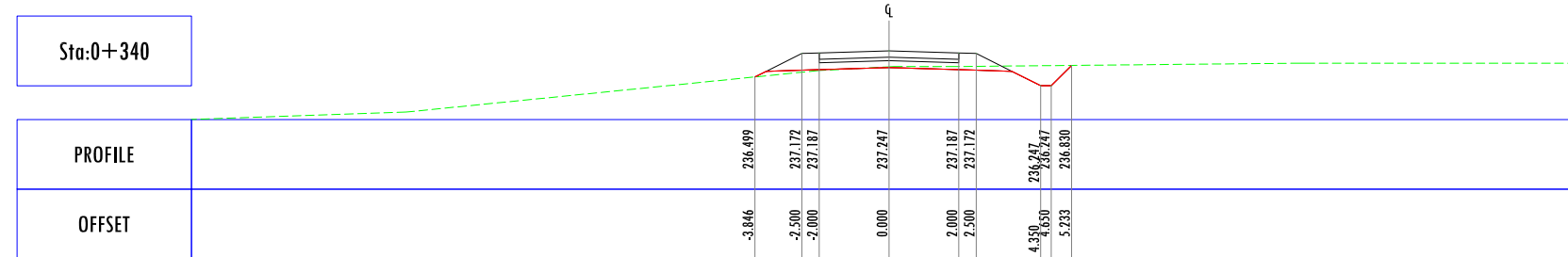
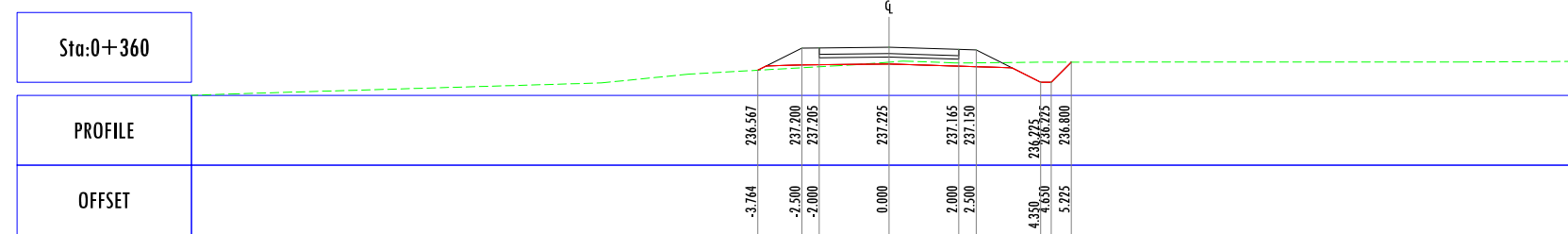
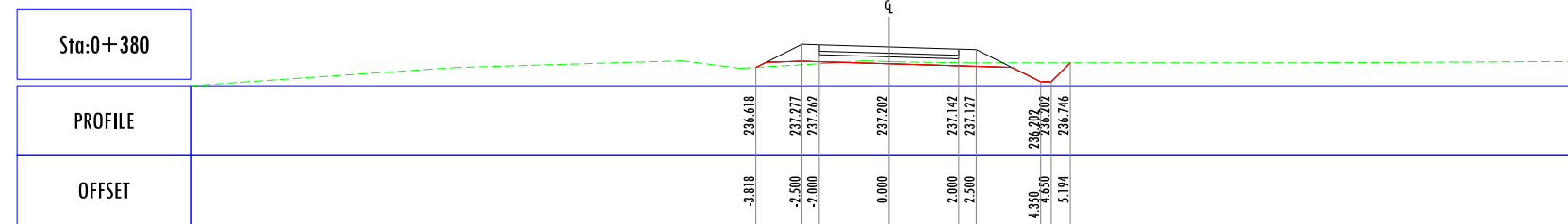
CLIENT :



LAO PEOPLE'S DEMOCRATIC REPUBLIC (LAO PDR)
MINISTRY OF INFORMATION, CULTURE AND TOURISM

DESIGNED/DRAWN:	
CHECKED:	
APPROVED:	
REV.	DATE
R01	20.07.2020
	PRELIMINARY ISSUE
	DESCRIPTION
	DRN

NAME OF PROJECT:		2ND GMS –TOURISM INFRASTRUCTURE FOR INCLUSIVE GROWTH	
		WORKS PACKAGE -TIIGP2-LAO-W04	
		Subproject V5: Vang Vieng Solid Waste Management Improvements	
TITLE:		CROSS SECTION	SHEET NO.: 00 OF 00
			SHEET SIZE: A3
DRAWING NO.:		RAM-LAO-DED-W04-C-01-5	SCALE:
REV:		R01	DATE: JULY 2020



LEAD CONSULTANT :

RAMBOLL
 Hannemanns Alle 53
 DK-2300 København S
 Tlf. +45 5161 1000
 Fax +45 5161 1001
 www.ramboll.dk

SUB-CONSULTANT:

Waste Concern Consultants
 Level- 4, House No.- 120/B, (Masjid Road) Road- 7
 New DOHS Mohakhali Dhaka- 1207, Bangladesh
 Tlf. + 880-2-48810-841, + 880-2-48810-842
 Fax. + 880-2- 9899-486, Email- office@wasteconcern.org
 www.wasteconcern.org

CLIENT :

LAOS
 LAO PEOPLE'S DEMOCRATIC REPUBLIC (LAO PDR)
 MINISTRY OF INFORMATION, CULTURE AND TOURISM

REV.	DATE	DESCRIPTION	DRN
RO1	20.07.2020	PRELIMINARY ISSUE	

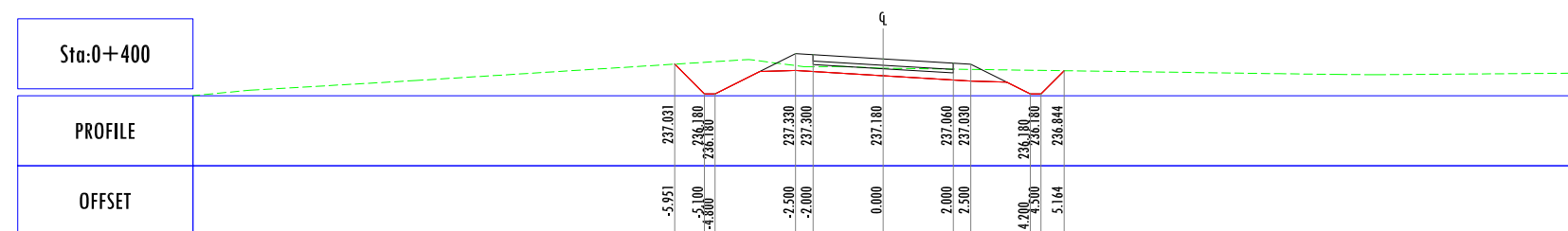
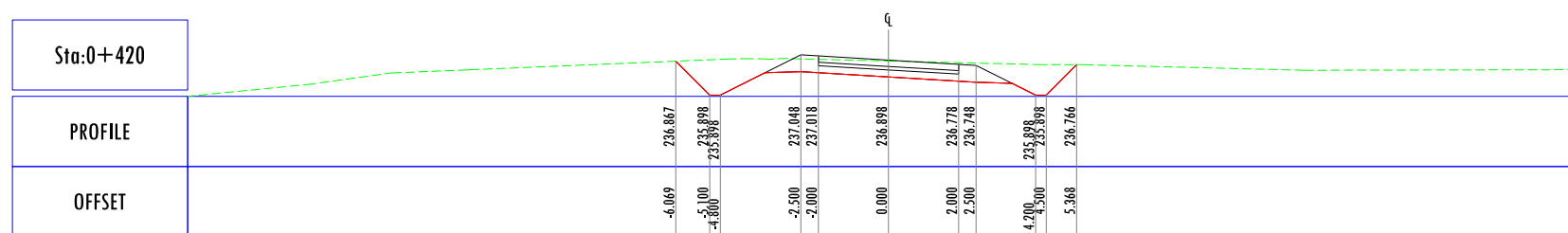
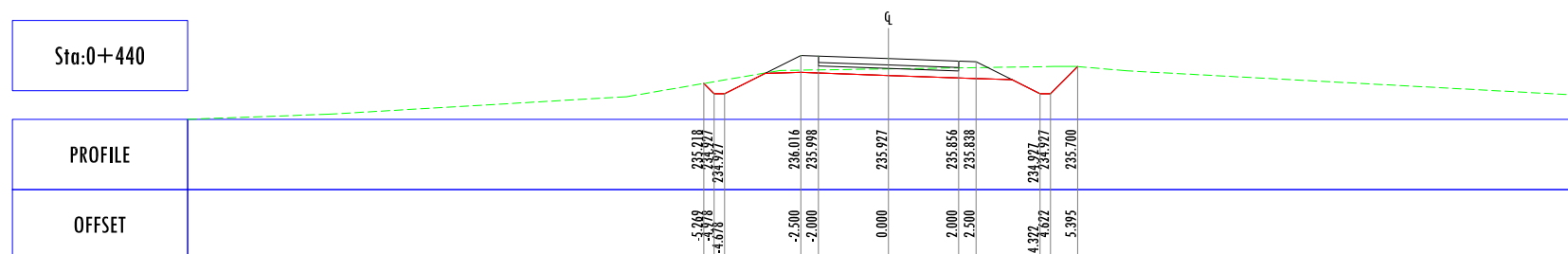
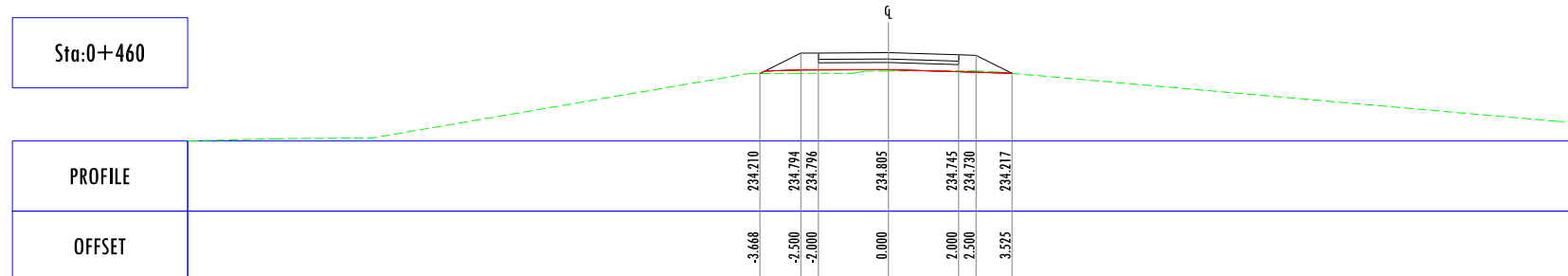
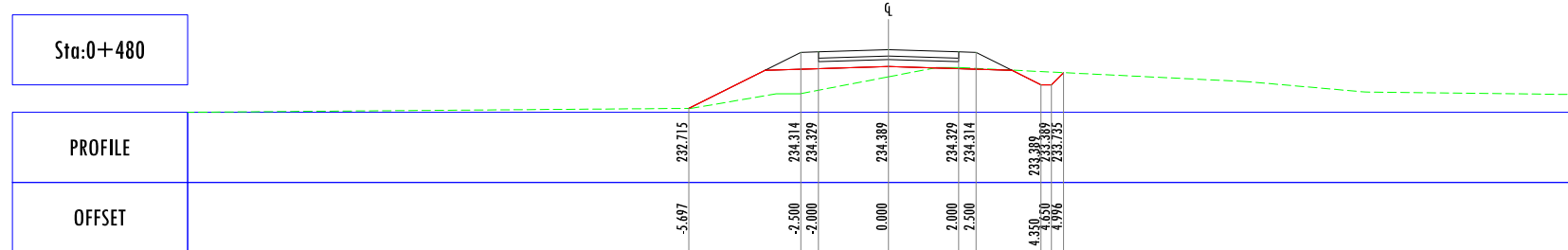
DESIGNED/DRAWN: /
 CHECKED: /
 APPROVED: /

NAME OF PROJECT:
**2ND GMS –TOURISM INFRASTRUCTURE FOR INCLUSIVE GROWTH
 WORKS PACKAGE -TIIGP2-LAO-W04
 Subproject V5: Vang Vieng Solid Waste Management Improvements**

TITLE:
CROSS SECTION

DRAWING NO.: RAM-LAO-DED-W04-C-01-6

SHEET NO.: 00 OF 00
 SHEET SIZE: A3
 SCALE:
 REV: R01 DATE: JULY 2020



LEAD CONSULTANT :

RAMBOLL
 Hannemanns Alle 53
 DK-2300 København S
 Tlf. +45 5161 1000
 Fax +45 5161 1001
 www.ramboll.dk

SUB-CONSULTANT:

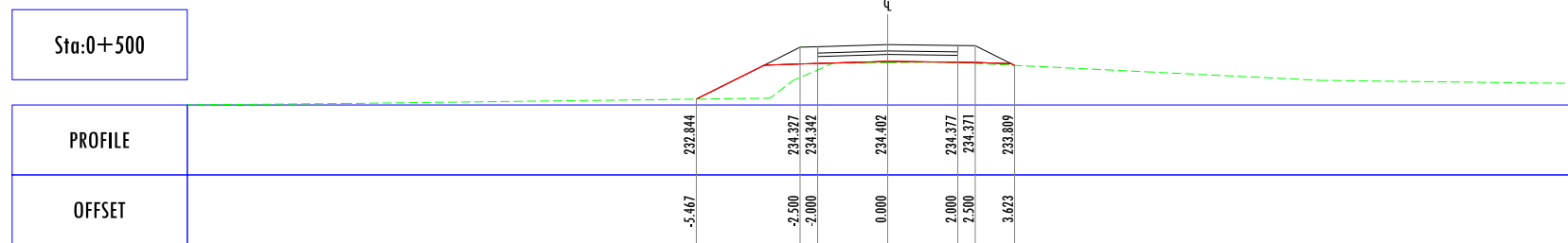
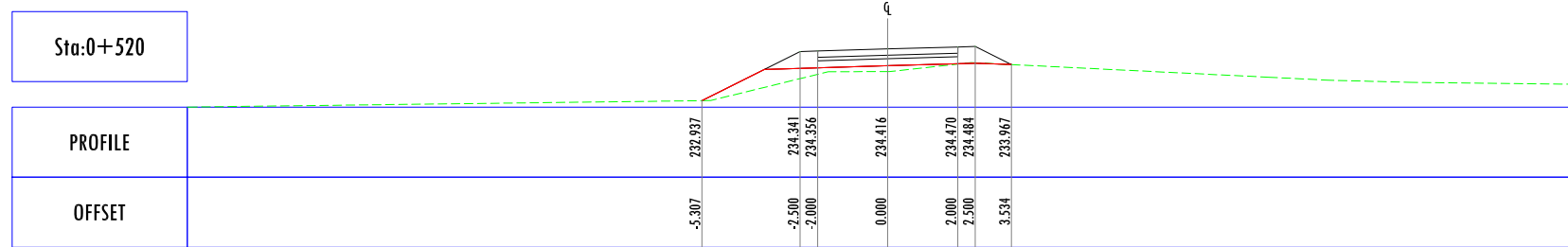
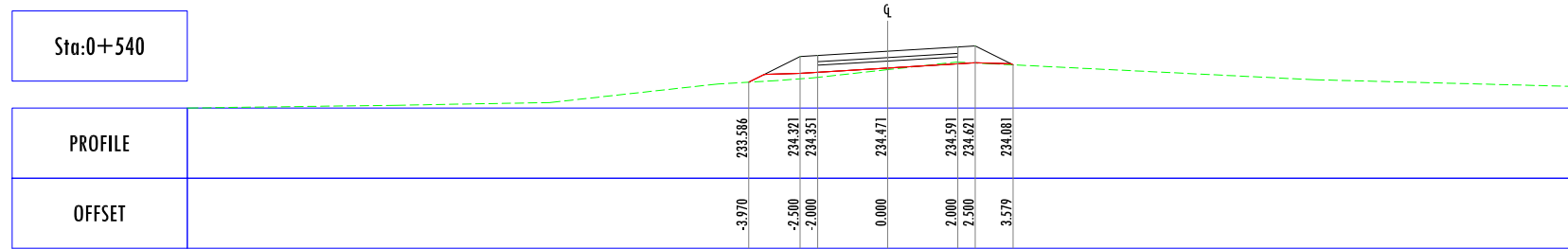
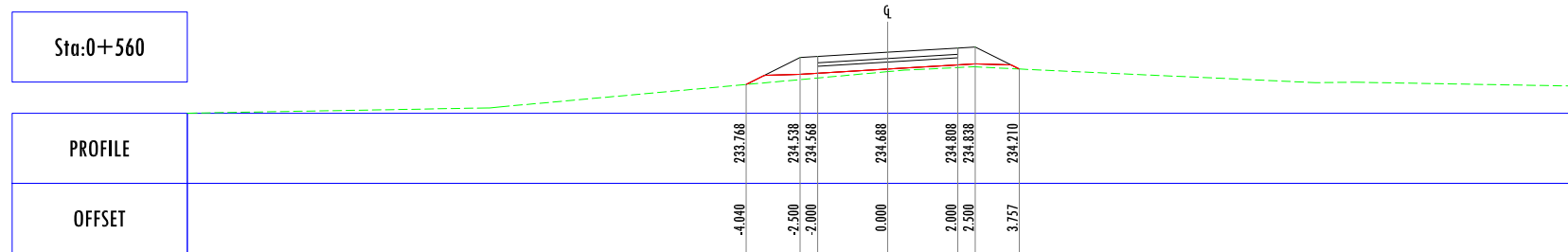
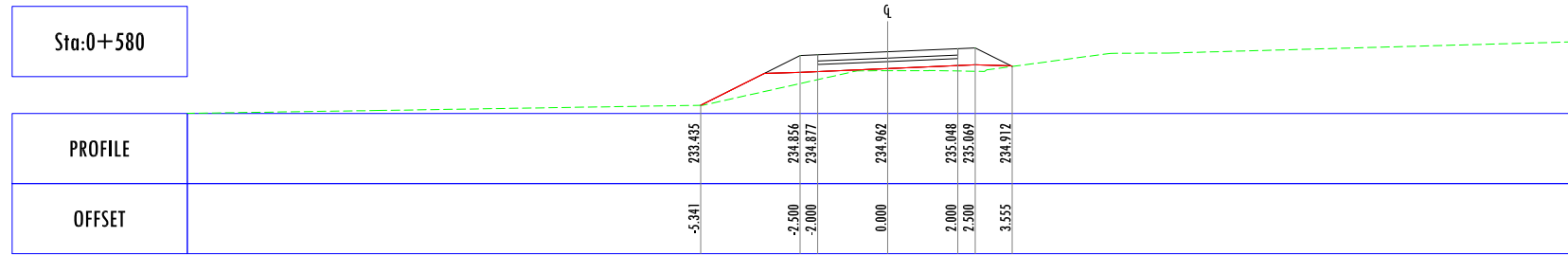
Waste Concern Consultants
 Level- 4, House No.- 120/B, (Masjid Road) Road- 7
 New DOHS Mohakhali Dhaka- 1207, Bangladesh
 Tlf. + 880-2-48810-841, + 880-2-48810-842
 Fax. + 880-2- 9899-486, Email- office@wasteconcern.org
 www.wasteconcern.org

CLIENT :

LAOS
 LAO PEOPLE'S DEMOCRATIC REPUBLIC (LAO PDR)
 MINISTRY OF INFORMATION, CULTURE AND TOURISM

DESIGNED/DRAWN:	
CHECKED:	
APPROVED:	
REV.	DATE
RO1	20.07.2020
	PRELIMINARY ISSUE
	DESCRIPTION
	DRN

NAME OF PROJECT:		2ND GMS –TOURISM INFRASTRUCTURE FOR INCLUSIVE GROWTH	
		WORKS PACKAGE -TIIGP2-LAO-W04	
		Subproject V5: Vang Vieng Solid Waste Management Improvements	
TITLE:		CROSS SECTION	
DRAWING NO.:		RAM-LAO-DED-W04-C-01-7	
SHEET NO.:	00 OF 00	SHEET SIZE:	A3
SCALE:		REV:	R01
DATE:	JULY 2020		



LEAD CONSULTANT :

RAMBOLL
 Hannemanns Alle 53
 DK-2300 København S
 Tlf. +45 5161 1000
 Fax +45 5161 1001
 www.ramboll.dk

SUB-CONSULTANT:

Waste Concern Consultants
 Level- 4, House No.- 120/B, (Masjid Road) Road- 7
 New DOHS Mohakhali Dhaka- 1207, Bangladesh
 Tlf. + 880-2-48810-841, + 880-2-48810-842
 Fax. + 880-2- 9899-486, Email- office@wasteconcern.org
 www.wasteconcern.org

CLIENT :

LAOS
 LAO PEOPLE'S DEMOCRATIC REPUBLIC (LAO PDR)
 MINISTRY OF INFORMATION, CULTURE AND TOURISM

DESIGNED/DRAWN:	
CHECKED:	
APPROVED:	
REV.	DATE
RO1	20.07.2020
	PRELIMINARY ISSUE
	DESCRIPTION
	DRN

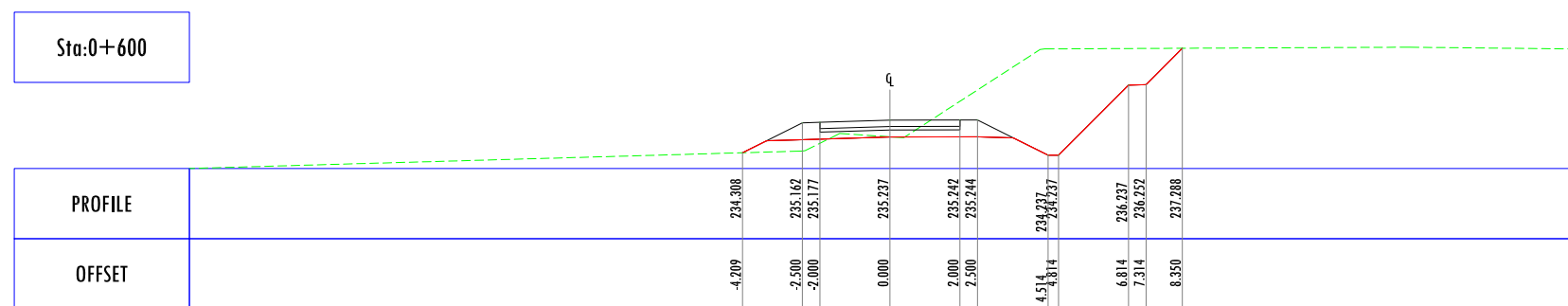
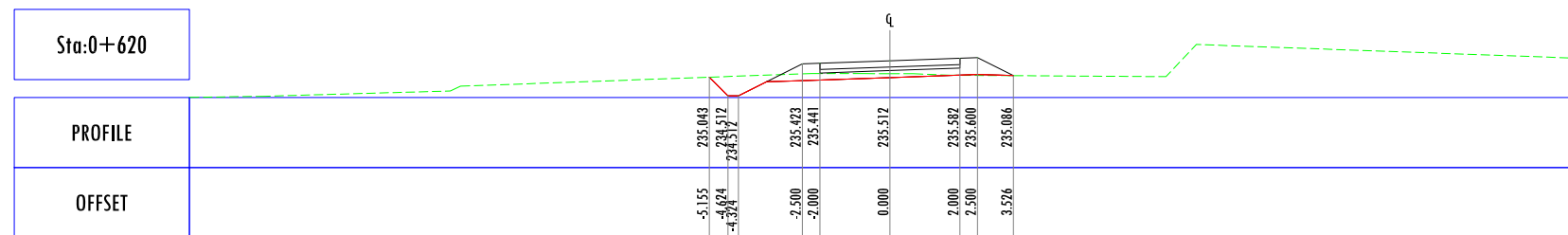
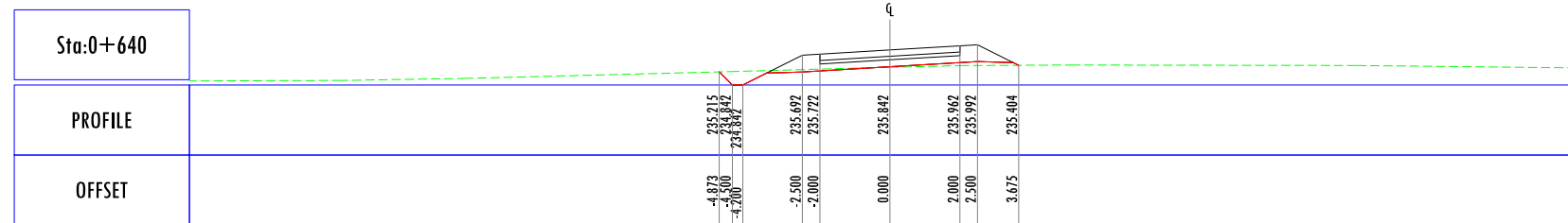
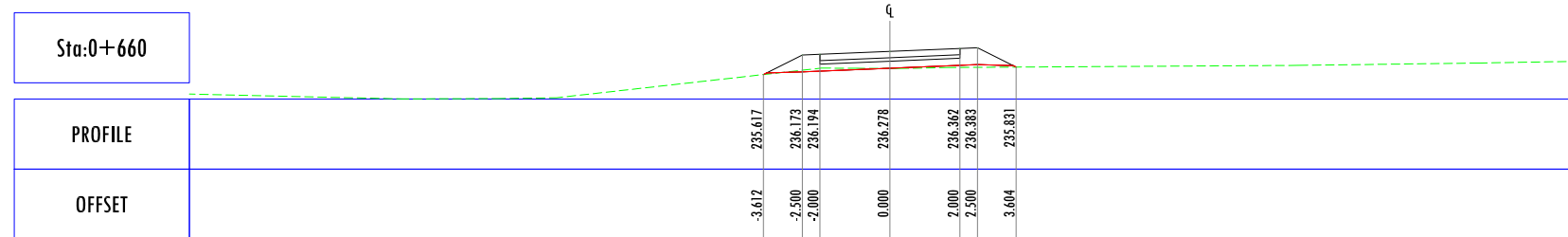
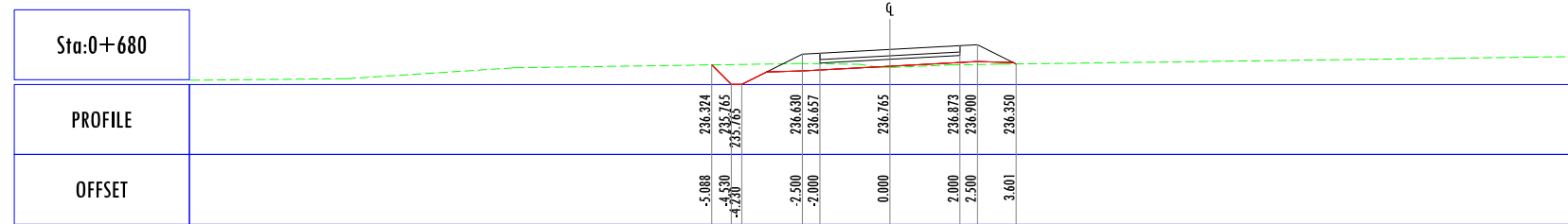
NAME OF PROJECT:
2ND GMS –TOURISM INFRASTRUCTURE FOR INCLUSIVE GROWTH
WORKS PACKAGE -TIIGP2-LAO-W04
Subproject V5: Vang Vieng Solid Waste Management Improvements

TITLE:
CROSS SECTION

DRAWING NO.: RAM-LAO-DED-W04-C-01-8

SHEET NO.: 00 OF 00
 SHEET SIZE: A3
 SCALE:

REV: R01
 DATE: JULY 2020



LEAD CONSULTANT :

RAMBOLL
 Hannemanns Alle 53
 DK-2300 København S
 Tlf. +45 5161 1000
 Fax +45 5161 1001
 www.ramboll.dk

SUB-CONSULTANT:

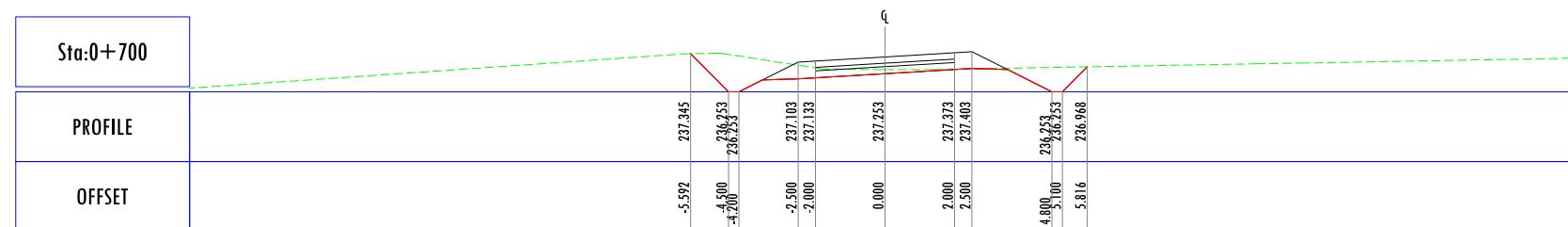
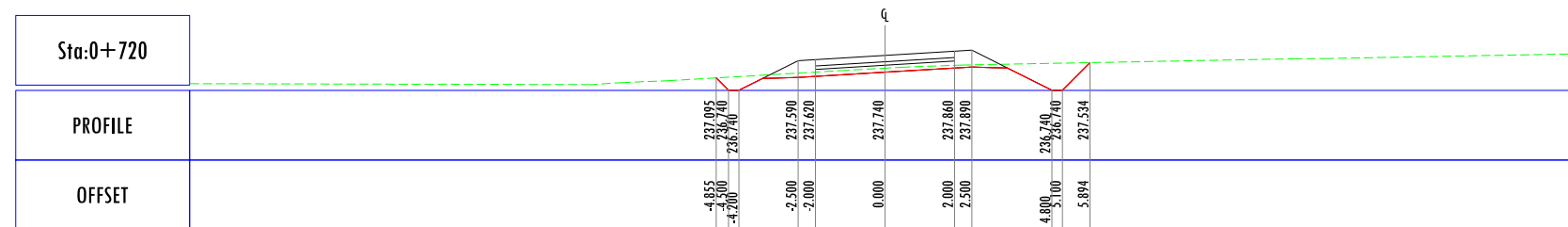
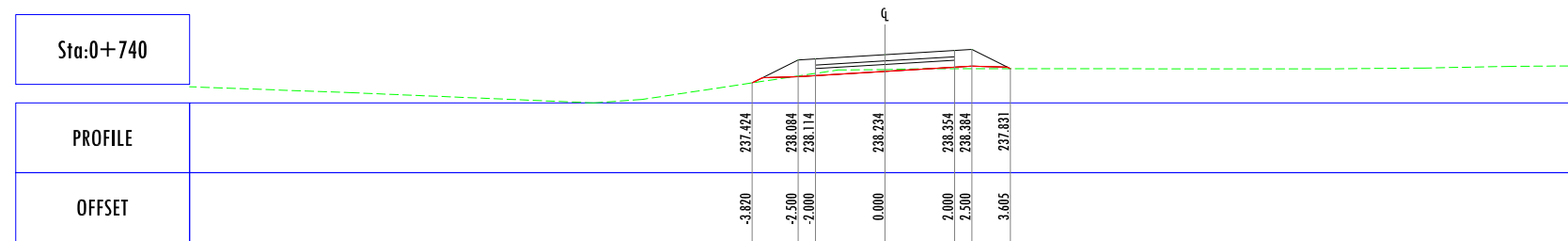
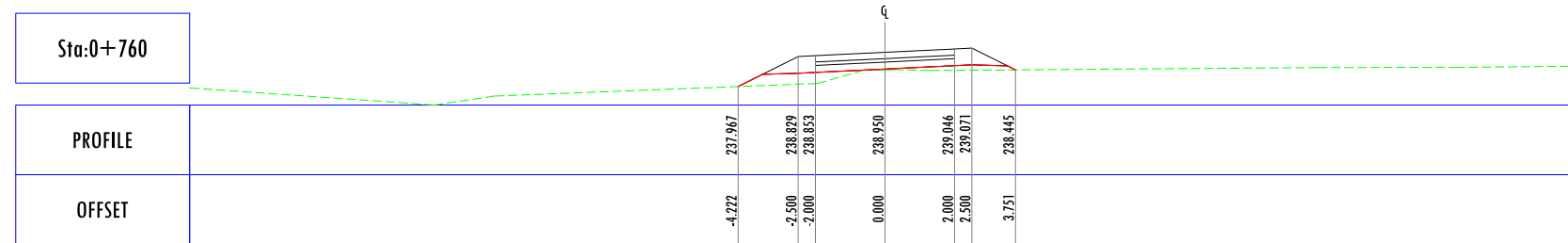
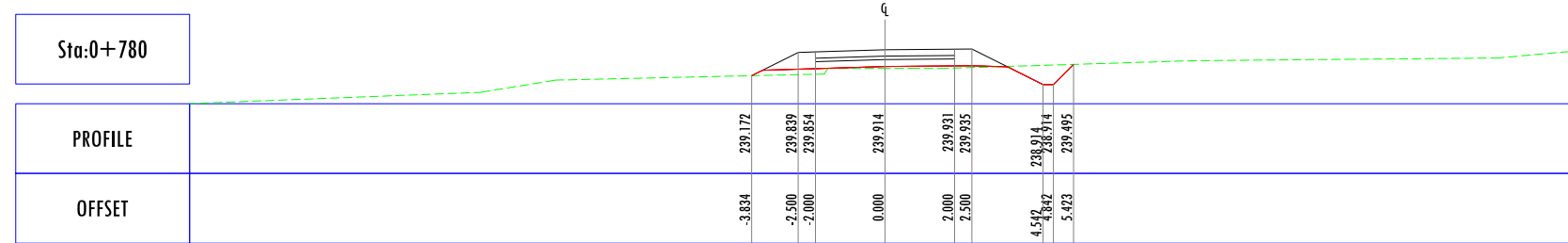
Waste Concern Consultants
 Level- 4, House No.- 120/B, (Masjid Road) Road-7
 New DOHS Mohakhali Dhaka- 1207, Bangladesh
 Tlf. + 880-2-48810-841, + 880-2-48810-842
 Fax. + 880-2- 9899-486, Email- office@wasteconcern.org
 www.wasteconcern.org

CLIENT :

LAOS
 LAO PEOPLE'S DEMOCRATIC REPUBLIC (LAO PDR)
 MINISTRY OF INFORMATION, CULTURE AND TOURISM

DESIGNED/DRAWN:	
CHECKED:	
APPROVED:	
REV.	DATE
01	20.07.2020
	PRELIMINARY ISSUE
	DESCRIPTION
	DRN

NAME OF PROJECT:		2ND GMS -TOURISM INFRASTRUCTURE FOR INCLUSIVE GROWTH	
		WORKS PACKAGE -TIIGP2-LAO-W04	
		Subproject V5: Vang Vieng Solid Waste Management Improvements	
TITLE:		CROSS SECTION	SHEET NO.: 00 OF 00
			SHEET SIZE: A3
			SCALE:
DRAWING NO.:		RAM-LAO-DED-W04-C-01-9	REV: R01
			DATE: JULY 2020



LEAD CONSULTANT :

RAMBOLL
 Hannemanns Alle 53
 DK-2300 København S
 Tlf. +45 5161 1000
 Fax +45 5161 1001
 www.ramboll.dk

SUB-CONSULTANT:

Waste Concern Consultants
 Level- 4, House No.- 120/B, (Masjid Road) Road- 7
 New DOHS Mohakhali Dhaka- 1207, Bangladesh
 Tlf. + 880-2-48810-841, + 880-2-48810-842
 Fax. + 880-2- 9899-486, Email- office@wasteconcern.org
 www.wasteconcern.org

CLIENT :

LAOS
 LAO PEOPLE'S DEMOCRATIC REPUBLIC (LAO PDR)
 MINISTRY OF INFORMATION, CULTURE AND TOURISM

REV.	DATE	DESCRIPTION	DRN
RO1	20.07.2020	PRELIMINARY ISSUE	

DESIGNED/DRAWN: /
 CHECKED: /
 APPROVED: /

NAME OF PROJECT:
2ND GMS –TOURISM INFRASTRUCTURE FOR INCLUSIVE GROWTH
WORKS PACKAGE -TIIGP2-LAO-W04
Subproject V5: Vang Vieng Solid Waste Management Improvements

TITLE:
CROSS SECTION

DRAWING NO.: RAM-LAO-DED-W04-C-01-10

SHEET NO.: 00 OF 00
 SHEET SIZE: A3
 SCALE:
 REV: R01 DATE: JULY 2020

Sta:0+786

PROFILE		239.363	240.145	240.160	240.270	240.212	240.210	239.270	239.270	239.835
OFFSET		-4.065	-2.500	-2.000	0.000	2.000	2.500	4.479	4.779	5.394

LEAD CONSULTANT :



Hannemanns Alle 53
DK-2300 København S
Tlf. +45 5161 1000
Fax +45 5161 1001
www.ramboll.dk

SUB-CONSULTANT:



Waste Concern Consultants
Level- 4, House No.- 120/B, (Masjid Road) Road- 7
New DOHS Mohakhali Dhaka- 1207, Bangladesh
Tlf. + 880-2-48810-841, + 880-2-48810-842
Fax. + 880-2- 9899-486, Email- office@wasteconcern.org
www.wasteconcern.org

CLIENT :



LAO PEOPLE'S DEMOCRATIC REPUBLIC (LAO PDR)
MINISTRY OF INFORMATION, CULTURE AND TOURISM

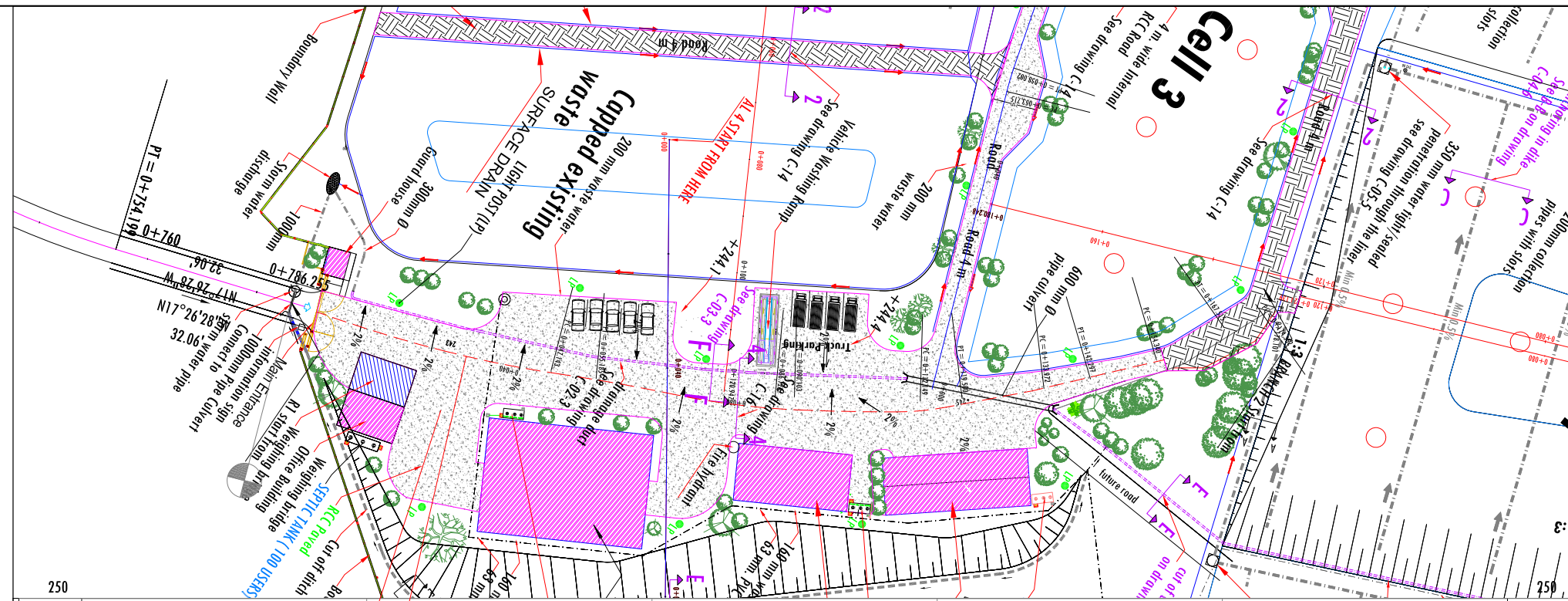
DESIGNED/DRAWN:		
CHECKED:		
APPROVED:		
REV.	DATE	DESCRIPTION	DRN
RO1	20.07.2020	PRELIMINARY ISSUE	

NAME OF PROJECT:

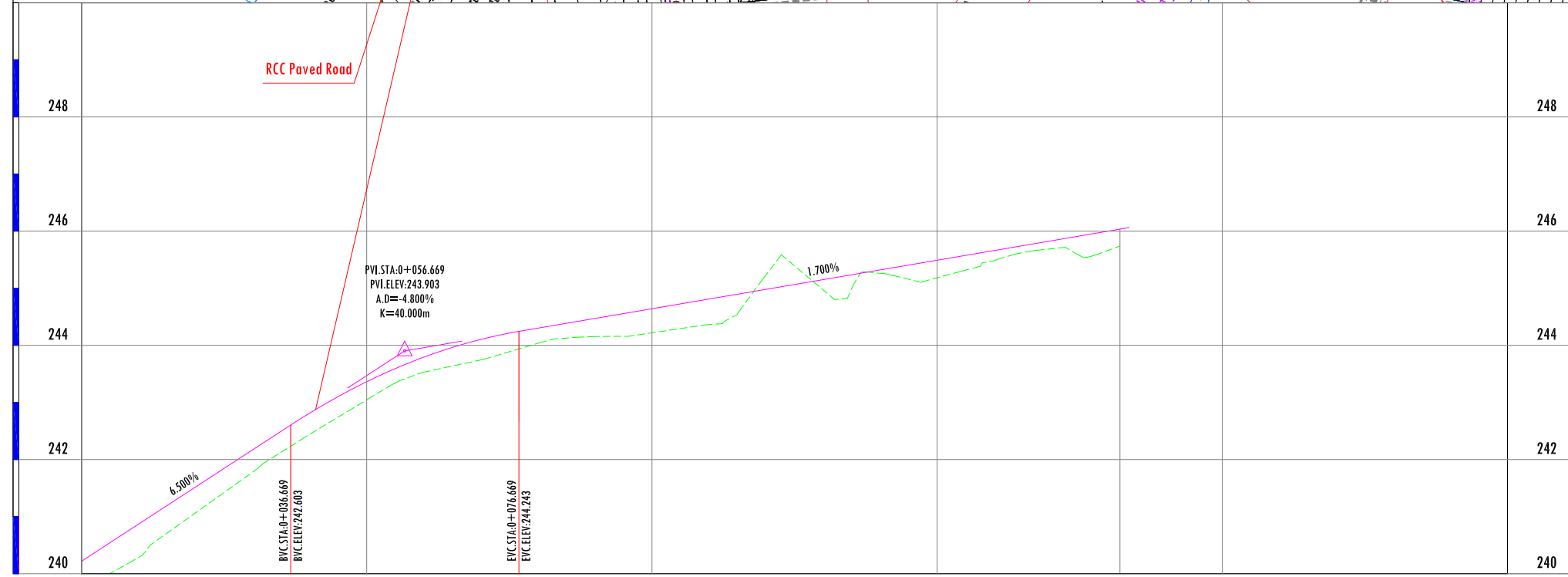
2ND GMS -TOURISM INFRASTRUCTURE FOR INCLUSIVE GROWTH
WORKS PACKAGE -TIIGP2-LAO-W04
Subproject V5: Vang Vieng Solid Waste Management Improvements

TITLE: CROSS SECTION	SHEET NO.: 00 OF 00	SHEET SIZE: A3
DRAWING NO.: RAM-LAO-DED-W04-C-01-11	REV: R01	DATE: JULY 2020

PLAN



PROFILE



V.CURVE DATA	L=36.669 g=6.500%		Lvc=40.000 Rvc=833				L=106.994 g=1.700%				
PROFILE LEVEL	240.220	241.845	243.363	244.213	244.640	245.065	245.490	245.915	246.035		
EXISTING LEVEL	239.721	241.424	243.046	243.888	244.220	245.393	245.183	245.573	245.739		
HEIGHT DIFFERENCE	0.499	0.421	0.317	0.325	0.420	-0.328	0.308	0.343	0.296		
CHAINAGE	0+000				0+100				0+182		

SYMBOLS

- NORTH DIRECTION
- BENCH MARK
- TREE
- PC & PT
- RICE FIELD
- PIPE CULVERT
- BOX CULVERT
- WALL
- BRIDGE
- CONCRETE WALL
- HOUSE
- ELECTRIC POLE
- FLOW DIRECTION
- POND OR RIVER
- OLD ROAD
- FENCE
- PROPOSED ROAD
- SITE SLOPE

LIST OF CONTROL SURVEY RESULT

POINT NAME	Y (N)	X (E)	ELEVATION
GPS - 01	2087224.544	236933.248	230.323
GPS - 02	2087203.671	236972.606	230.103
GPS - 03	2087825.926	237125.031	234.942
GPS - 04	2087879.362	237084.704	236.566

LEAD CONSULTANT :
RAMBOLL
Hannemanns Alle 53
DK-2300 København S
Tlf. +45 5161 1000
Fax +45 5161 1001
www.ramboll.dk

SUB-CONSULTANT:
Waste Concern Consultants
Level- 4, House No.- 120/B, (Masjid Road) Road-7
New DOHS Mohakhali Dhaka- 1207, Bangladesh
Tlf. + 880-2-48810-841, + 880-2-48810-842
Fax. + 880-2- 9899-486, Email- office@wasteconcern.org
www.wasteconcern.org

CLIENT :
LAOS
LAO PEOPLE'S DEMOCRATIC REPUBLIC (LAO PDR)
MINISTRY OF INFORMATION, CULTURE AND TOURISM

REV.	DATE	DESCRIPTION	DRN
RO1	20.07.2020	PRELIMINARY ISSUE	

DESIGNED/DRAWN:
CHECKED:
APPROVED:

NAME OF PROJECT:
**2ND GMS –TOURISM INFRASTRUCTURE FOR INCLUSIVE GROWTH
WORKS PACKAGE -TIIGP2-LAO-W04**
Subproject V5: Vang Vieng Solid Waste Management Improvements

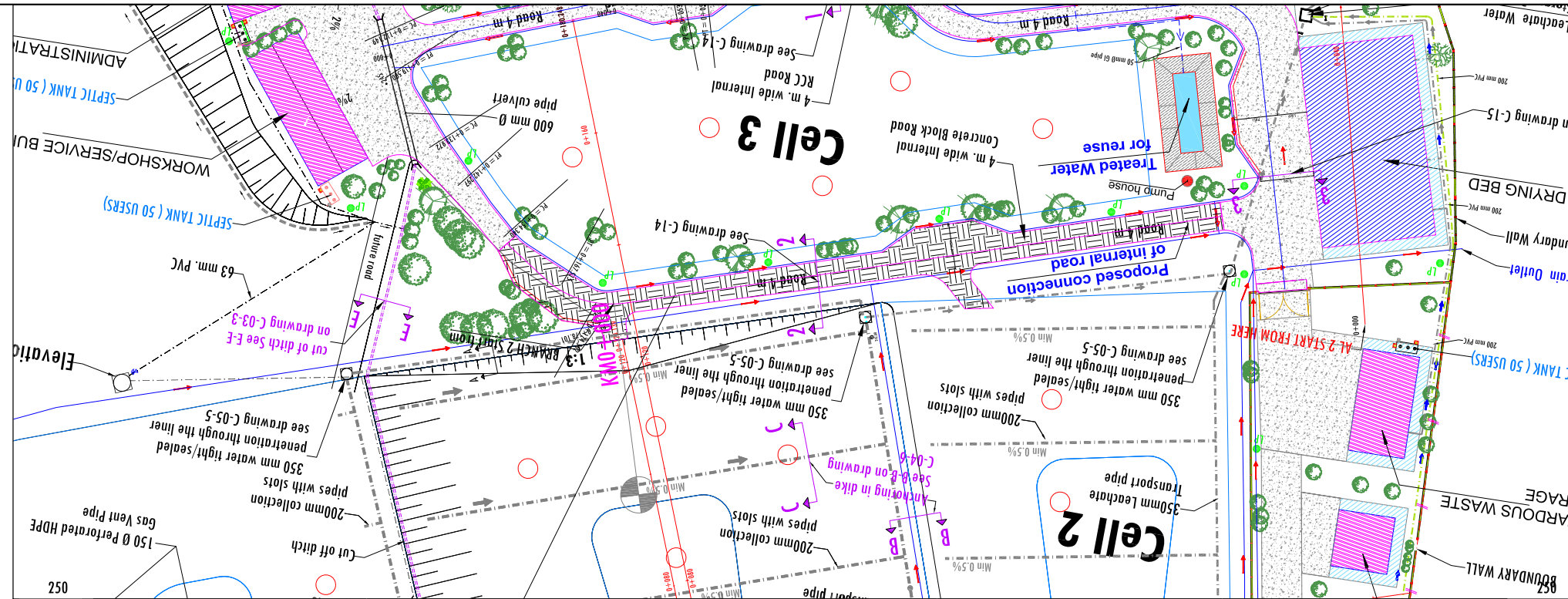
TITLE: PLAN AND PROFILE

DRAWING NO.: RAM-LAO-DED-W04-C-01-12

SHEET NO.: 00 OF 00
SCALE:
SHEET SIZE: A3

REV: R01
DATE: JULY 2020

PLAN



PROFILE



V.CURVE DATA	L=6.088 g=-8.497%	Lvc=30.000 Rvc=375	L=31.922 g=-0.500%
PROFILE LEVEL	245.936	244.288	243.917
EXISTING LEVEL	245.444	244.084	244.636
HEIGHT DIFFERENCE	0.492	0.205	-0.637
CHAINAGE	0+000		0+067

SYMBOLS

- NORTH DIRECTION
- BENCH MARK
- TREE
- PC & PT
- RICE FIELD
- PIPE CULVERT
- BOX CULVERT
- WALL
- BRIDGE
- CONCRETE WALL
- HOUSE
- ELECTRIC POLE
- FLOW DIRECTION
- POND OR RIVER
- OLD ROAD
- FENCE
- PROPOSED ROAD
- SITE SLOPE

LIST OF CONTROL SURVEY RESULT

POINT NAME	Y (N)	X (E)	ELEVATION
GPS - 01	2087224.544	236933.248	230.323
GPS - 02	2087203.671	236972.606	230.103
GPS - 03	2087825.926	237125.031	234.942
GPS - 04	2087879.362	237084.704	236.566

LEAD CONSULTANT :

Hannemanns Alle 53
DK-2300 København S
Tlf. +45 5161 1000
Fax +45 5161 1001
www.ramboll.dk

SUB-CONSULTANT:

Waste Concern Consultants
Level- 4, House No.- 120/B, (Masjid Road) Road- 7
New DOHS Mohakhali Dhaka- 1207, Bangladesh
Tlf. + 880-2-48810-841, + 880-2-48810-842
Fax. + 880-2- 9899-486, Email- office@wasteconcern.org
www.wasteconcern.org

CLIENT :

LAO PEOPLE'S DEMOCRATIC REPUBLIC (LAO PDR)
MINISTRY OF INFORMATION, CULTURE AND TOURISM

REV.	DATE	DESCRIPTION	DRN
R01	20.07.2020	PRELIMINARY ISSUE	

DESIGNED/DRAWN: _____

CHECKED: _____

APPROVED: _____

NAME OF PROJECT:
2ND GMS –TOURISM INFRASTRUCTURE FOR INCLUSIVE GROWTH
WORKS PACKAGE -TIIGP2-LAO-W04
Subproject V5: Vang Vieng Solid Waste Management Improvements

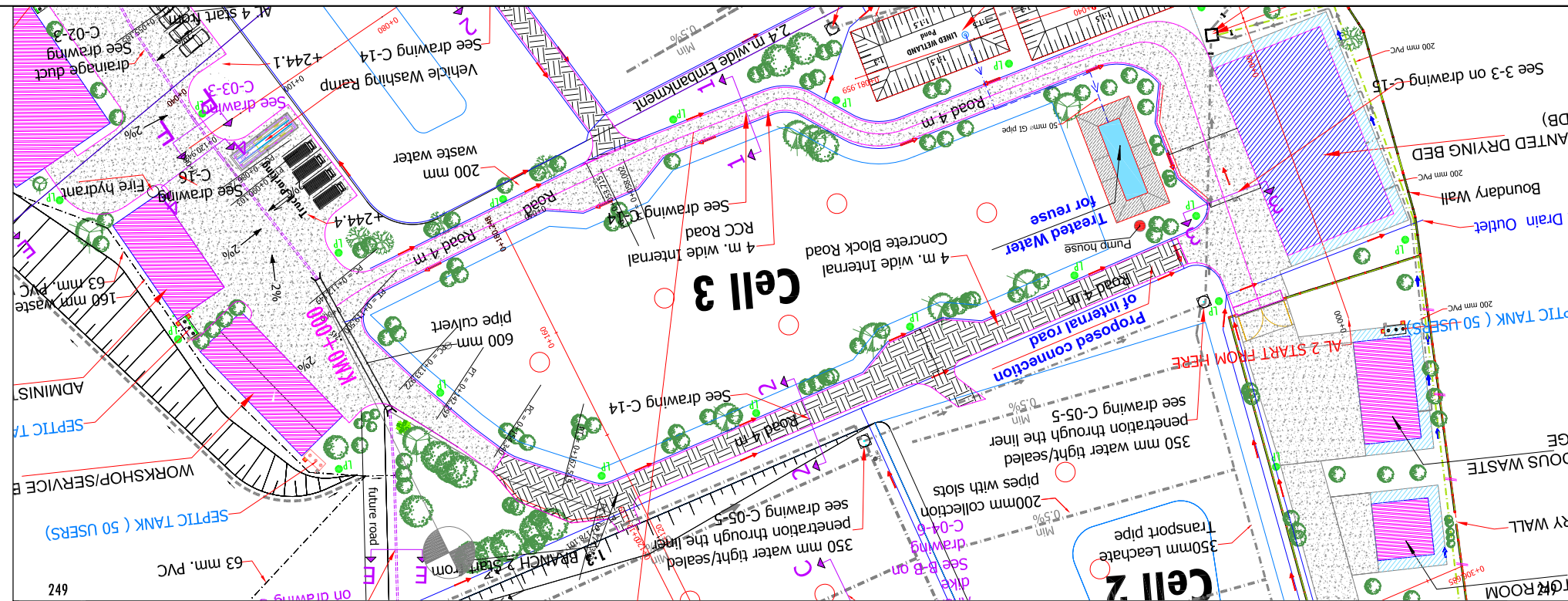
TITLE: PLAN AND PROFILE

DRAWING NO.: RAM-LAO-DED-W04-C-01-13

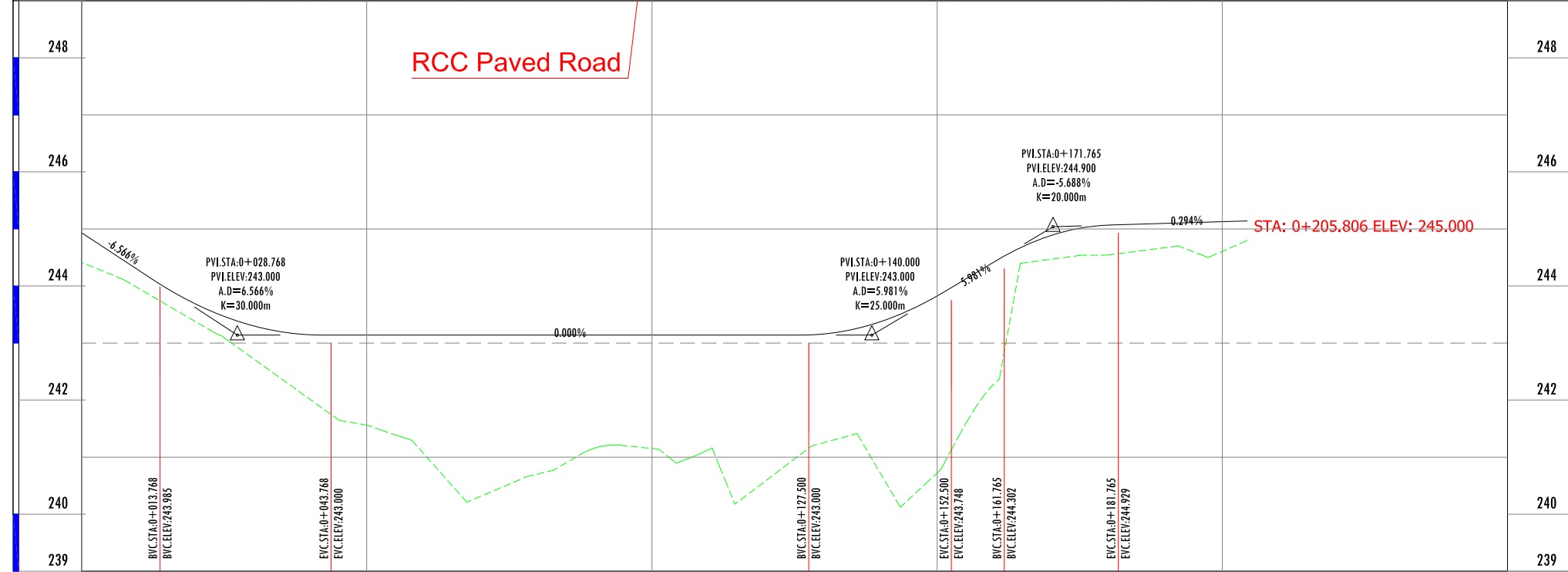
SHEET NO.: 00 OF 00
SHEET SIZE: A3
SCALE: _____

REV: R01 DATE: JULY 2020

PLAN



PROFILE



V. CURVE DATA	L=13.768 g=-6.566%		Lvc=30.000 Rvc=457		L=83.732 g=0.000%		Lvc=25.000 Rvc=418		L=9.265 g=5.981%	Lvc=20.000 Rvc=352	L=24.042 g=0.294%
PROFILE LEVEL	244.889	243.385	243.000	243.000	243.000	243.000	243.000	243.006	244.844	244.983	245.000
EXISTING LEVEL	244.366	243.030	241.448	240.327	241.028	240.720	240.450	244.376	244.406	244.659	
HEIGHT DIFFERENCE	0.523	0.355	1.552	2.673	1.972	2.280	3.156	0.468	0.577	0.341	
CHAINAGE	0+000			0+100			0+200			0+206	

SYMBOLS

- NORTH DIRECTION
- BENCHMARK
- TREE
- PC & PT
- RICE FIELD
- PIPE CULVERT
- BOX CULVERT
- WALL
- BRIDGE
- CONCRETE WALL
- HOUSE
- ELECTRIC POLE
- FLOW DIRECTION
- POND OR RIVER
- OLD ROAD
- FENCE
- PROPOSED ROAD
- SITE SLOPE

LIST OF CONTROL SURVEY RESULT

POINT NAME	Y (N)	X (E)	ELEVATION
GPS - 01	2087224.544	236933.248	230.323
GPS - 02	2087203.671	236972.606	230.103
GPS - 03	2087825.926	237125.031	234.942
GPS - 04	2087879.362	237084.704	236.566

LEAD CONSULTANT :

Hannemanns Alle 53
DK-2300 København S
Tlf. +45 5161 1000
Fax +45 5161 1001
www.ramboll.dk

SUB-CONSULTANT:

Waste Concern Consultants
Level- 4, House No.- 120/B, (Masjid Road) Road-7
New DOHS Mohakhali Dhaka- 1207, Bangladesh
Tlf. + 880-2-48810-841, + 880-2-48810-842
Fax. + 880-2- 9899-486, Email- office@wasteconcern.org
www.wasteconcern.org

CLIENT :

LAO PEOPLE'S DEMOCRATIC REPUBLIC (LAO PDR)
MINISTRY OF INFORMATION, CULTURE AND TOURISM

REV.	DATE	DESCRIPTION	DRN
RO1	20.07.2020	PRELIMINARY ISSUE	

DESIGNED/DRAWN: _____

CHECKED: _____

APPROVED: _____

NAME OF PROJECT:
2ND GMS -TOURISM INFRASTRUCTURE FOR INCLUSIVE GROWTH
WORKS PACKAGE -TIIGP2-LAO-W04
Subproject V5: Vang Vieng Solid Waste Management Improvements

TITLE: **PLAN AND PROFILE**

DRAWING NO.: **RAM-LAO-DED-W04-C-01-14**

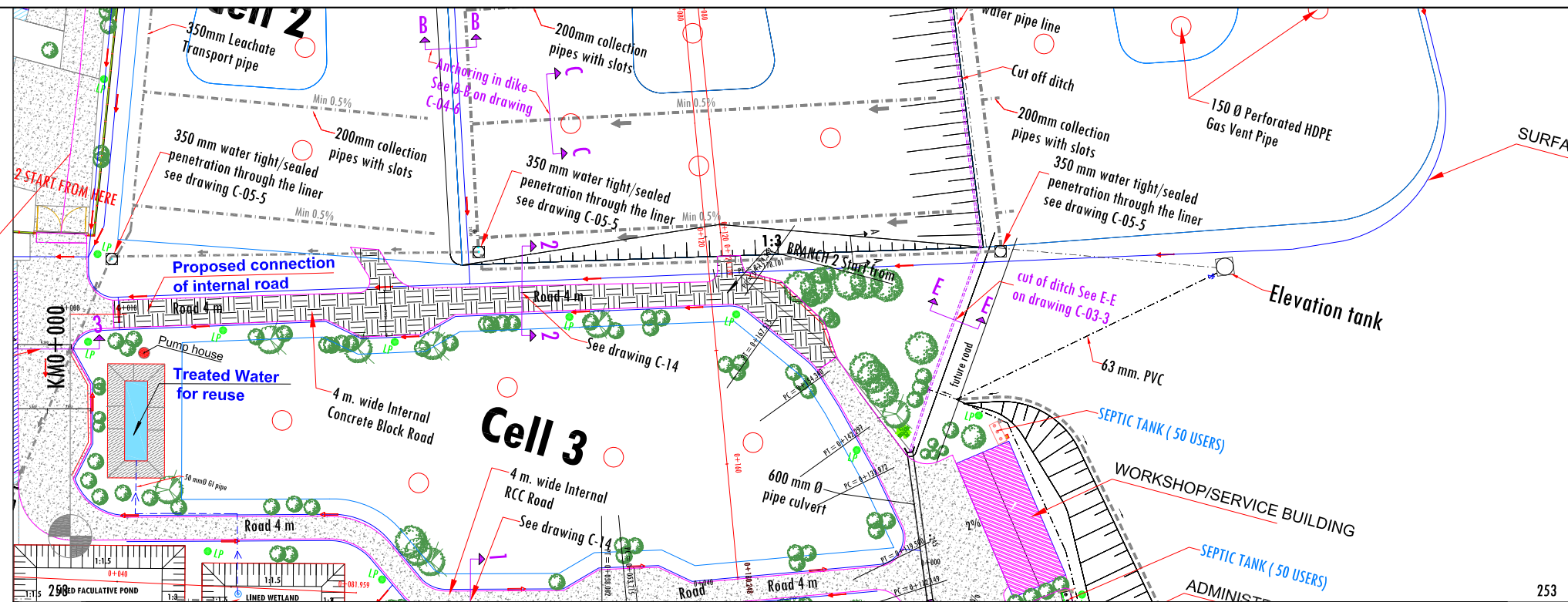
SHEET NO.: **00 OF 00** | SHEET SIZE: **A3**

SCALE: _____

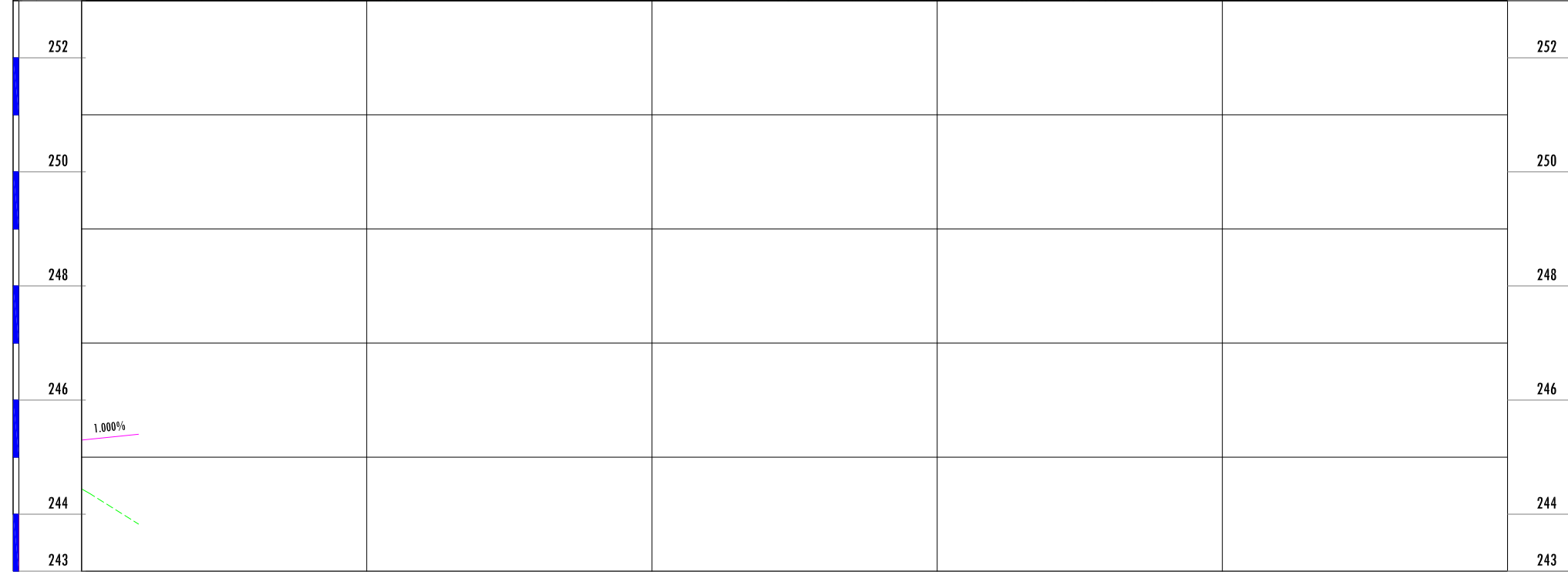
REV: **R01** | DATE: **JULY 2020**

PLAN

Alignment



PROFILE



V.CURVE DATA	L=10.001 g=1.000%	
PROFILE LEVEL	245.300	245.400
EXISTING LEVEL	244.444	243.827
HEIGHT DIFFERENCE	0.856	1.573
CHAINAGE	0+000	0+010

- SYMBOLS**
- NORTH DIRECTION
 - BENCH MARK
 - TREE
 - PC & PT
 - RICE FIELD
 - PIPE CULVERT
 - BOX CULVERT
 - WALL
 - BRIDGE
 - CONCRETE WALL
 - HOUSE
 - ELECTRIC POLE
 - FLOW DIRECTION
 - POND OR RIVER
 - OLD ROAD
 - FENCE
 - PROPOSED ROAD
 - SITE SLOPE

LIST OF CONTROL SURVEY RESULT

POINT NAME	Y (N)	X (E)	ELEVATION
GPS - 01	2087224.544	236933.248	230.323
GPS - 02	2087203.671	236972.606	230.103
GPS - 03	2087825.926	237125.031	234.942
GPS - 04	2087879.362	237084.704	236.566

LEAD CONSULTANT :

Hannemanns Alle'53
DK-2300 København S
Tlf. +45 5161 1000
Fax +45 5161 1001
www.ramboll.dk

SUB-CONSULTANT:

Waste Concern Consultants
Level- 4, House No.- 120/B, (Masjid Road) Road-7
New DOHS Mohakhali Dhaka- 1207, Bangladesh
Tlf. + 880-2-48810-841, + 880-2-48810-842
Fax. + 880-2- 9899-486, Email- office@wasteconcern.org
www.wasteconcern.org

CLIENT :

LAO PEOPLE'S DEMOCRATIC REPUBLIC (LAO PDR)
MINISTRY OF INFORMATION, CULTURE AND TOURISM

DESIGNED/DRAWN:			
CHECKED:			
APPROVED:			
REV.	DATE	DESCRIPTION	DRN
RO1	20.07.2020	PRELIMINARY ISSUE	

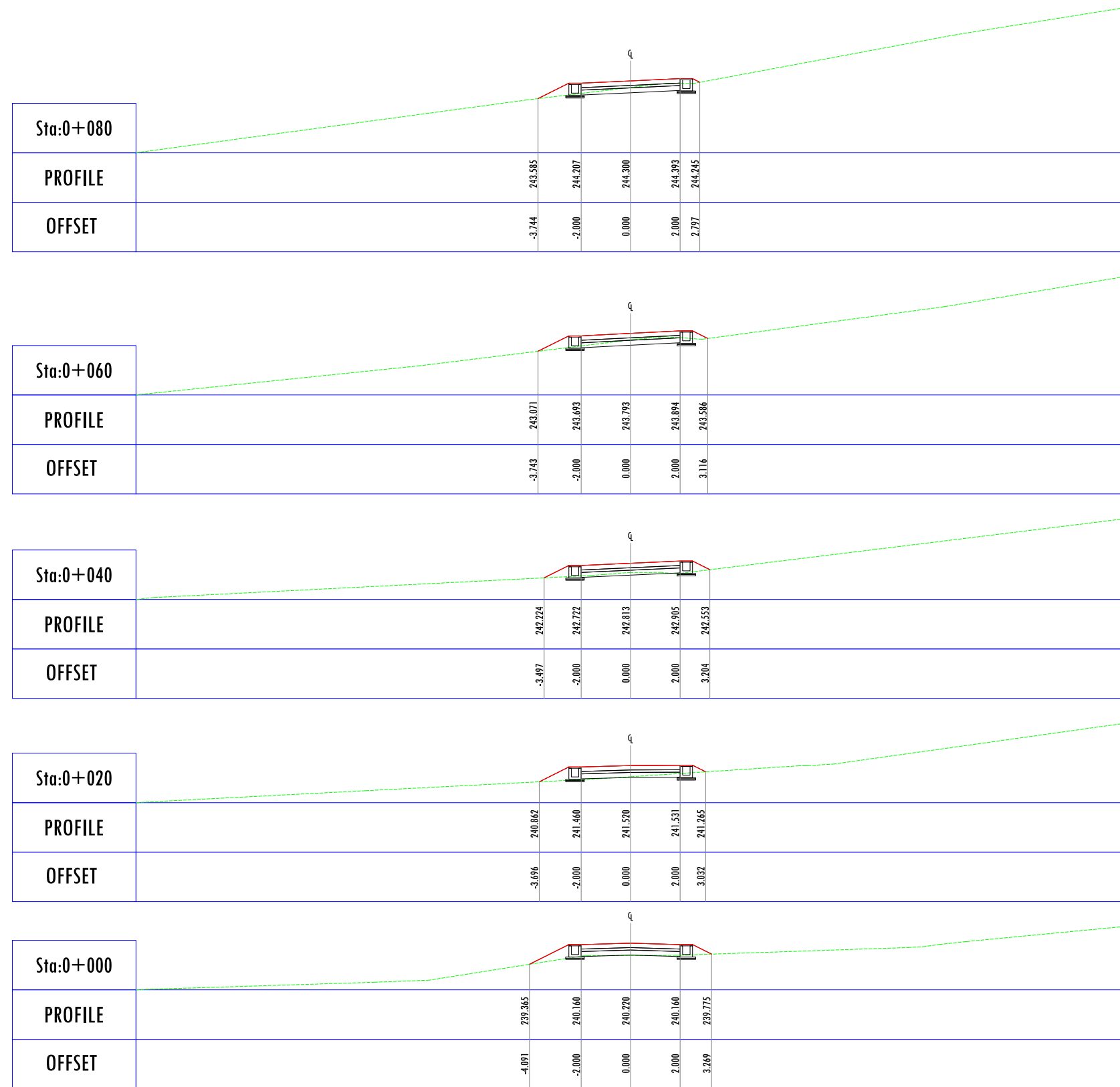
NAME OF PROJECT:
2ND GMS -TOURISM INFRASTRUCTURE FOR INCLUSIVE GROWTH
WORKS PACKAGE -TIIGP2-LAO-W04
Subproject V5: Vang Vieng Solid Waste Management Improvements

TITLE: PLAN AND PROFILE

DRAWING NO.: RAM-LAO-DED-W04-C-01-15

SHEET NO.: 00 OF 00
SHEET SIZE: A3
SCALE:

REV: R01
DATE: JULY 2020



LEAD CONSULTANT :



Hannemanns Alle 53
DK-2300 København S
Tlf. +45 5161 1000
Fax +45 5161 1001
www.ramboll.dk

SUB-CONSULTANT:



Waste Concern Consultants
Level- 4, House No.- 120/B, (Masjid Road) Road- 7
New DOHS Mohakhali Dhaka- 1207, Bangladesh
Tlf. + 880-2-48810-841, + 880-2-48810-842
Fax. + 880-2- 9899-486, Email- office@wasteconcern.org
www.wasteconcern.org

CLIENT :

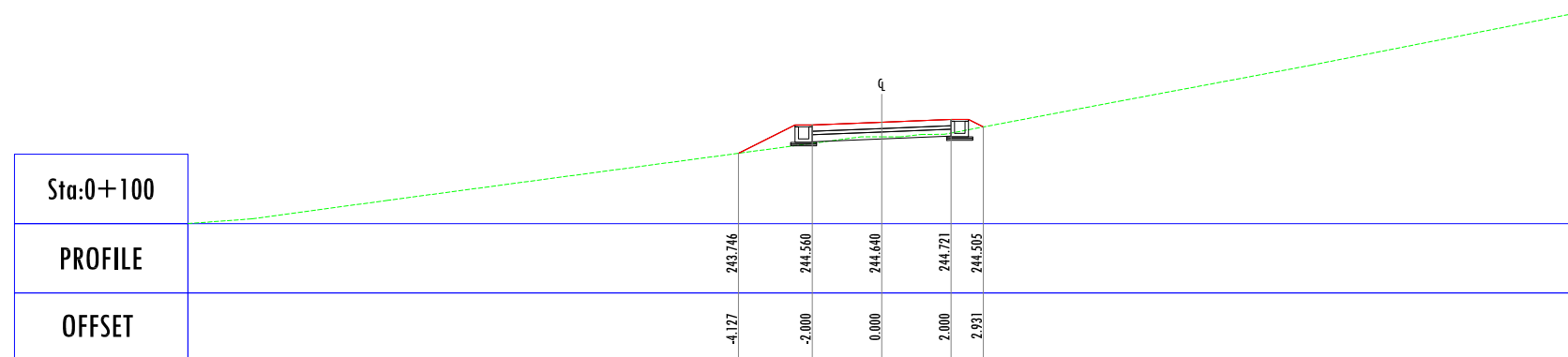
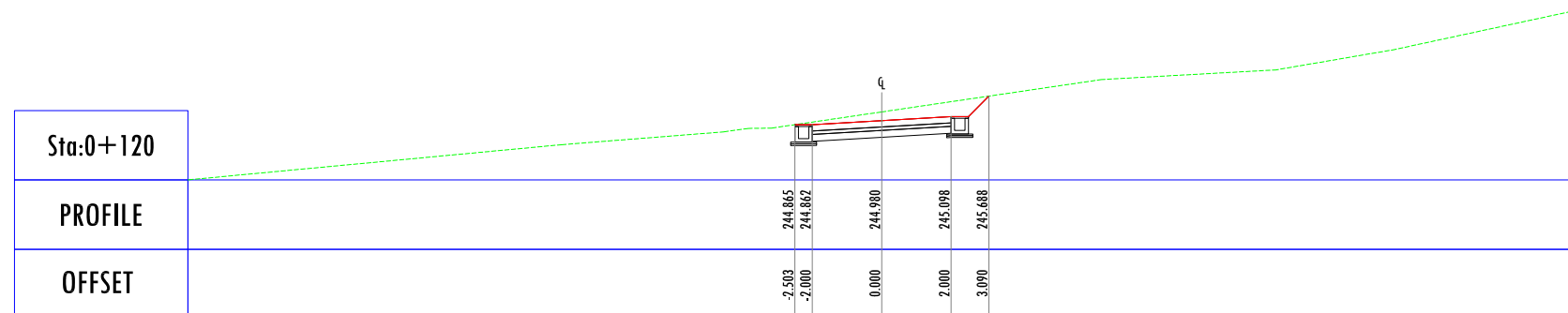
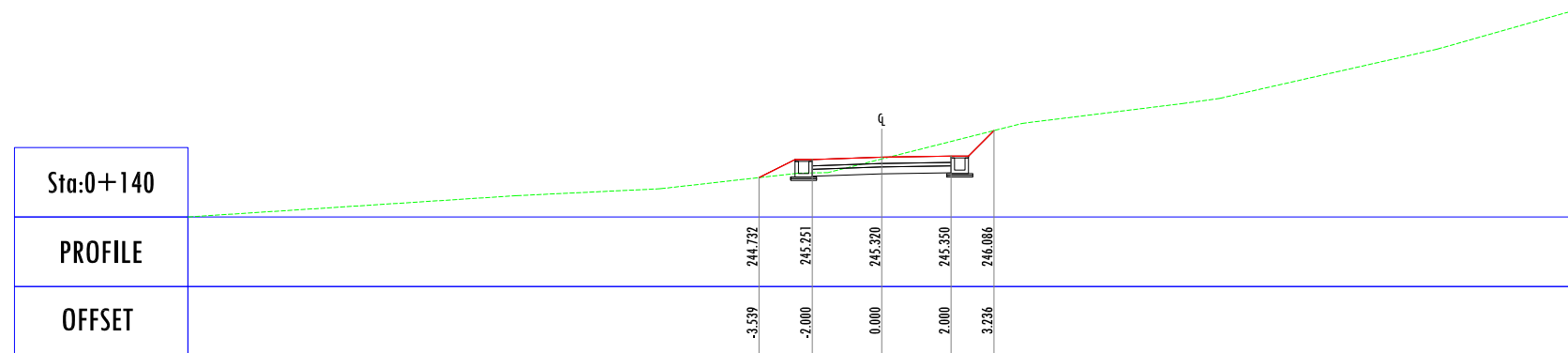
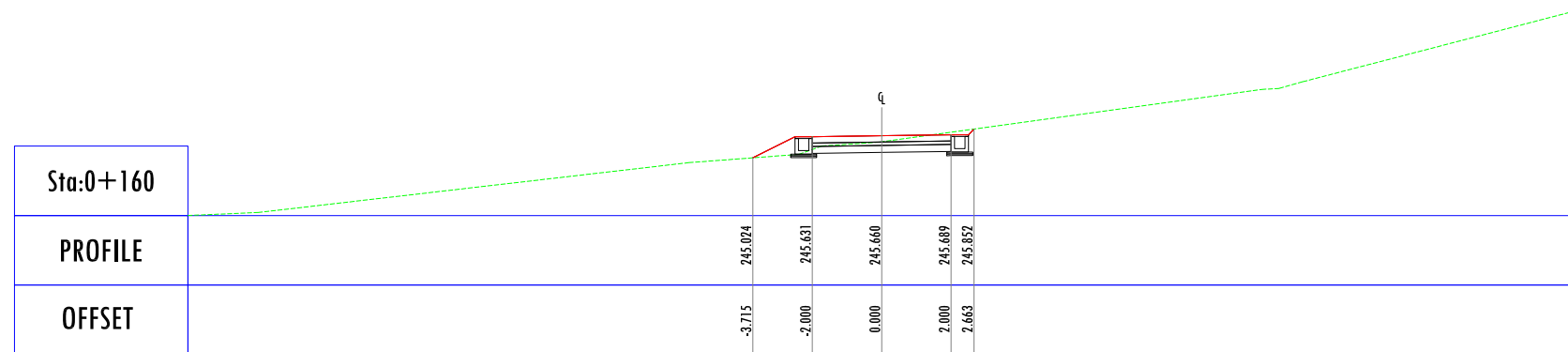


LAO PEOPLE'S DEMOCRATIC REPUBLIC (LAO PDR)
MINISTRY OF INFORMATION, CULTURE AND TOURISM

REV.	DATE	DESCRIPTION	DRN
RO1	20.07.2020	PRELIMINARY ISSUE	

DESIGNED/DRAWN:	
CHECKED:	
APPROVED:	

NAME OF PROJECT: 2ND GMS –TOURISM INFRASTRUCTURE FOR INCLUSIVE GROWTH WORKS PACKAGE -TIIGP2-LAO-W04 Subproject V5: Vang Vieng Solid Waste Management Improvements		SHEET NO.: 00 OF 00	SHEET SIZE: A3
TITLE: CROSS SECTION		SCALE:	
DRAWING NO.: RAM-LAO-DED-W04-C-01-16	REV: R01	DATE: JULY 2020	



LEAD CONSULTANT :

RAMBOLL
 Hannemanns Alle 53
 DK-2300 København S
 Tlf. +45 5161 1000
 Fax +45 5161 1001
 www.ramboll.dk

SUB-CONSULTANT:

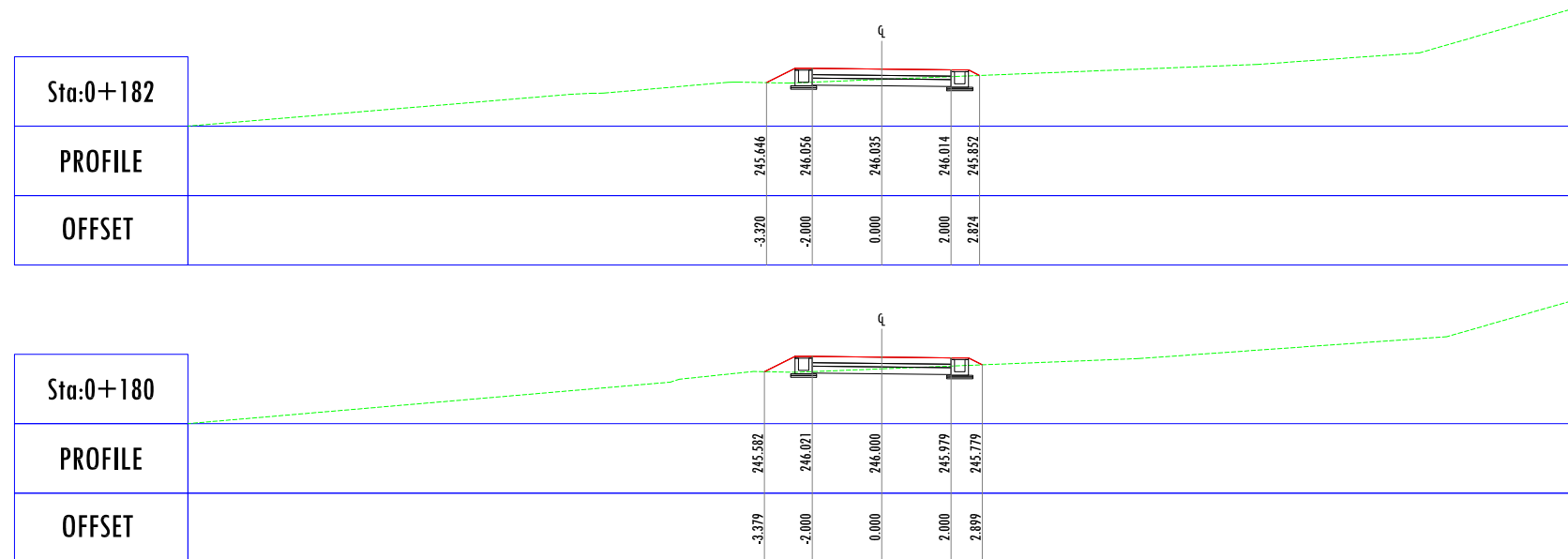
Waste Concern Consultants
 Level- 4, House No.- 120/B, (Masjid Road) Road- 7
 New DOHS Mohakhali Dhaka- 1207, Bangladesh
 Tlf. + 880-2-48810-841, + 880-2-48810-842
 Fax. + 880-2- 9899-486, Email- office@wasteconcern.org
 www.wasteconcern.org

CLIENT :

LAOS
 LAO PEOPLE'S DEMOCRATIC REPUBLIC (LAO PDR)
 MINISTRY OF INFORMATION, CULTURE AND TOURISM

DESIGNED/DRAWN:	
CHECKED:	
APPROVED:	
REV.	DATE
RO1	20.07.2020
	PRELIMINARY ISSUE
	DESCRIPTION
	DRN

NAME OF PROJECT:		2ND GMS –TOURISM INFRASTRUCTURE FOR INCLUSIVE GROWTH	
		WORKS PACKAGE -TIIGP2-LAO-W04	
		Subproject V5: Vang Vieng Solid Waste Management Improvements	
TITLE:	CROSS SECTION	SHEET NO.:	00 OF 00
		SHEET SIZE:	A3
DRAWING NO.:	RAM-LAO-DED-W04-C-01-17	REV:	R01
		DATE:	JULY 2020



LEAD CONSULTANT :



Hannemanns Alle 53
DK-2300 København S
Tlf. +45 5161 1000
Fax +45 5161 1001
www.ramboll.dk

SUB-CONSULTANT:



Waste Concern Consultants
Level- 4, House No.- 120/B, (Masjid Road) Road- 7
New DOHS Mohakhali Dhaka- 1207, Bangladesh
Tlf. + 880-2-48810-841, + 880-2-48810-842
Fax. + 880-2- 9899-486, Email- office@wasteconcern.org
www.wasteconcern.org

CLIENT :

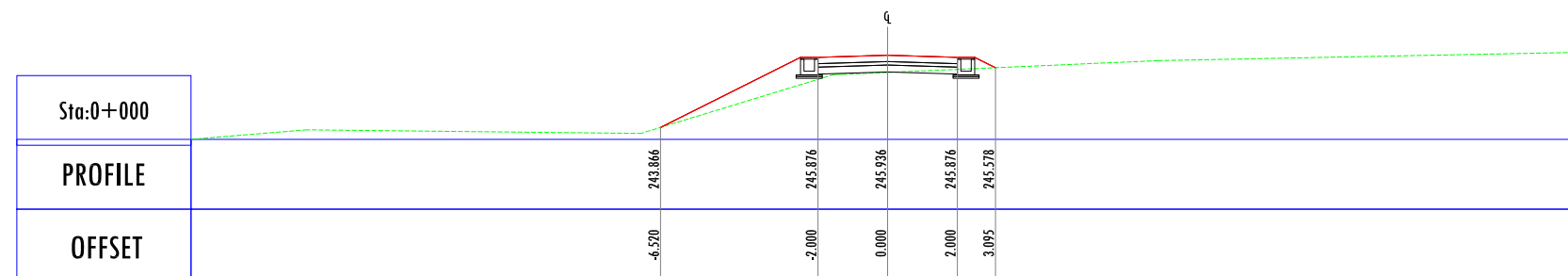
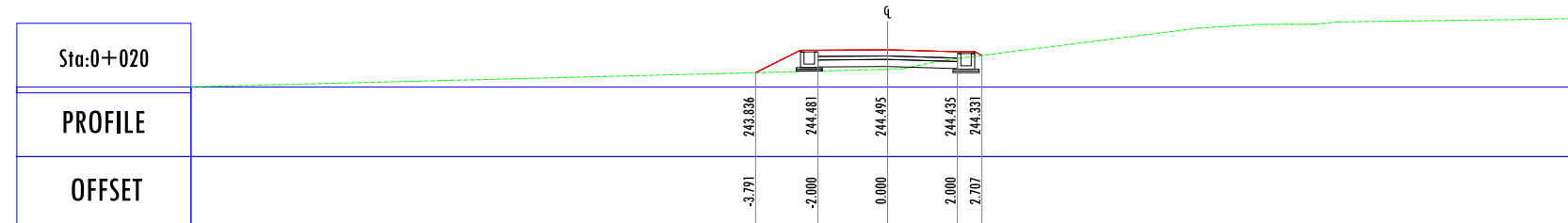
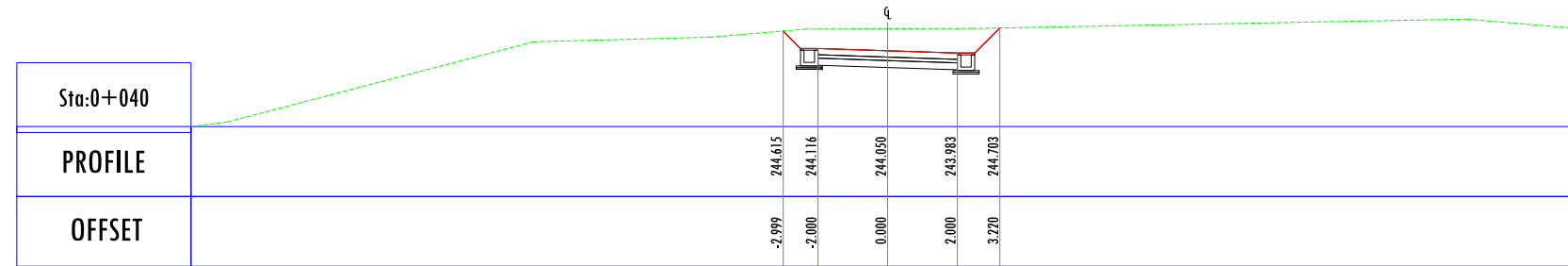
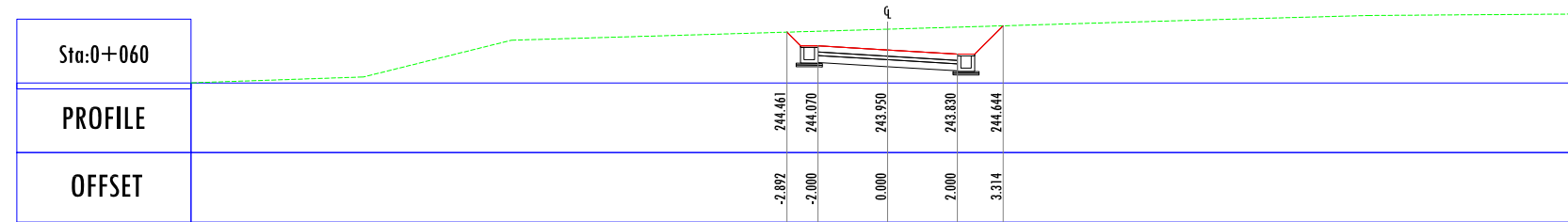
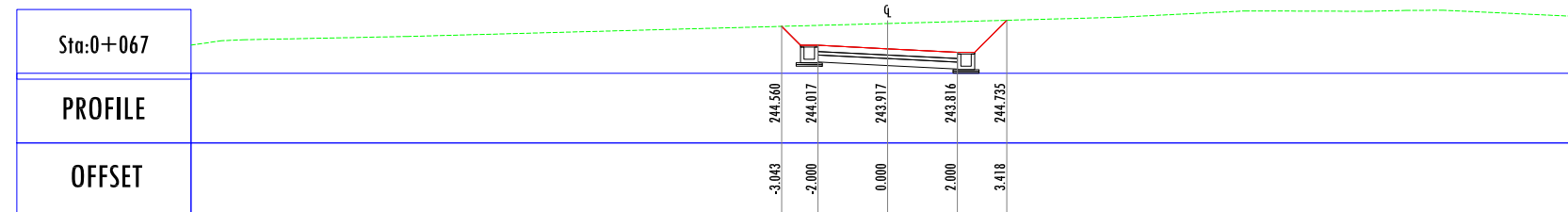


LAO PEOPLE'S DEMOCRATIC REPUBLIC (LAO PDR)
MINISTRY OF INFORMATION, CULTURE AND TOURISM

REV.	DATE	DESCRIPTION	DRN
RO1	20.07.2020	PRELIMINARY ISSUE	

DESIGNED/DRAWN:
CHECKED:
APPROVED:

NAME OF PROJECT: 2ND GMS –TOURISM INFRASTRUCTURE FOR INCLUSIVE GROWTH WORKS PACKAGE -TIIGP2-LAO-W04 Subproject V5: Vang Vieng Solid Waste Management Improvements		SHEET NO.:	SHEET SIZE:
TITLE: CROSS SECTION		00 OF 00	A3
DRAWING NO.: RAM-LAO-DED-W04-C-01-18		SCALE:	
REV:	DATE:	R01	JULY 2020



LEAD CONSULTANT :

RAMBOLL
 Hannemanns Alle 53
 DK-2300 København S
 Tlf. +45 5161 1000
 Fax +45 5161 1001
 www.ramboll.dk

SUB-CONSULTANT:

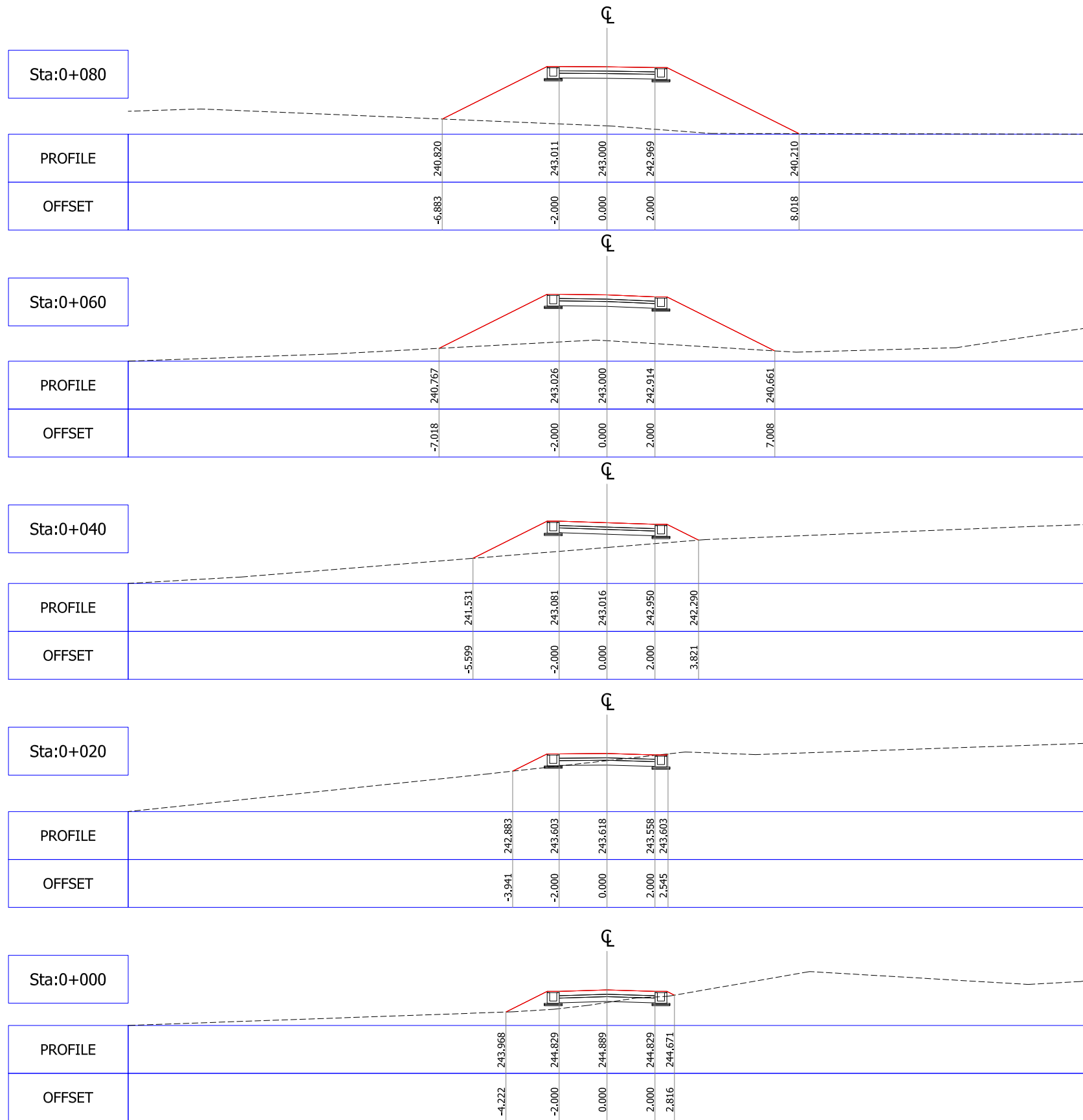
Waste Concern Consultants
 Level- 4, House No.- 120/B, (Masjid Road) Road- 7
 New DOHS Mohakhali Dhaka- 1207, Bangladesh
 Tlf. + 880-2-48810-841, + 880-2-48810-842
 Fax. + 880-2- 9899-486, Email- office@wasteconcern.org
 www.wasteconcern.org

CLIENT :

LAOS
 LAO PEOPLE'S DEMOCRATIC REPUBLIC (LAO PDR)
 MINISTRY OF INFORMATION, CULTURE AND TOURISM

DESIGNED/DRAWN:	
CHECKED:	
APPROVED:	
REV.	20.07.2020 PRELIMINARY ISSUE
REV.	DATE DESCRIPTION DRN

NAME OF PROJECT:		2ND GMS –TOURISM INFRASTRUCTURE FOR INCLUSIVE GROWTH	
		WORKS PACKAGE -TIIGP2-LAO-W04	
		Subproject V5: Vang Vieng Solid Waste Management Improvements	
TITLE:	CROSS SECTION	SHEET NO.:	00 OF 00
		SHEET SIZE:	A3
DRAWING NO.:	RAM-LAO-DED-W04-C-01-19	REV:	R01
		DATE:	JULY 2020



LEAD CONSULTANT :



Hannemanns Alle 53
DK-2300 København S
Tlf. +45 5161 1000
Fax +45 5161 1001
www.ramboll.dk

SUB-CONSULTANT:



Waste Concern Consultants
Level- 4, House No.- 120/B, (Masjid Road) Road- 7
New DOHS Mohakhali Dhaka- 1207, Bangladesh
Tlf. + 880-2-48810-841, + 880-2-48810-842
Fax. + 880-2- 9899-486, Email- office@wasteconcern.org
www.wasteconcern.org

CLIENT :

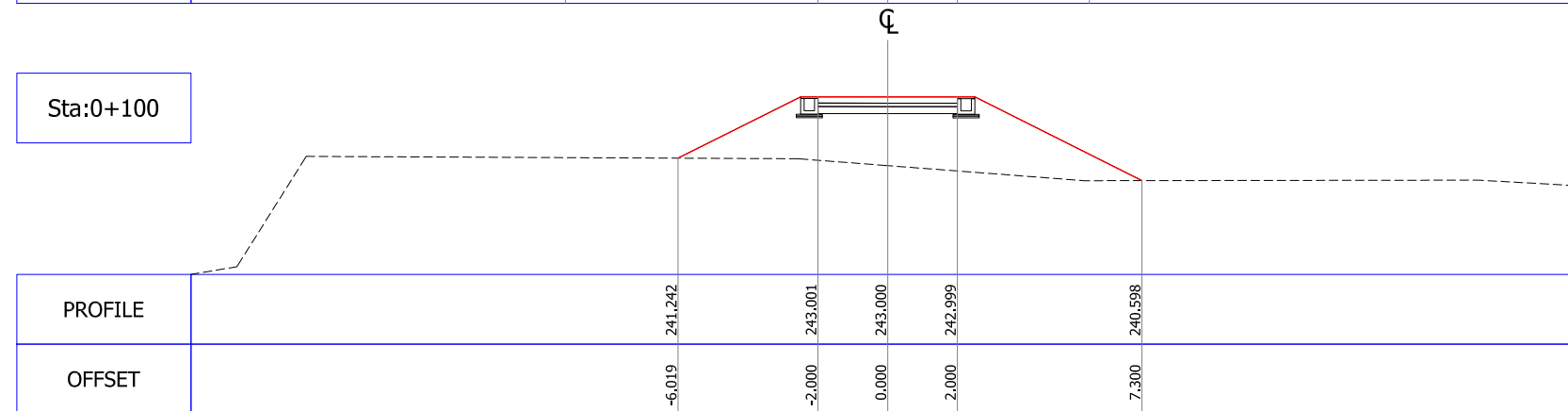
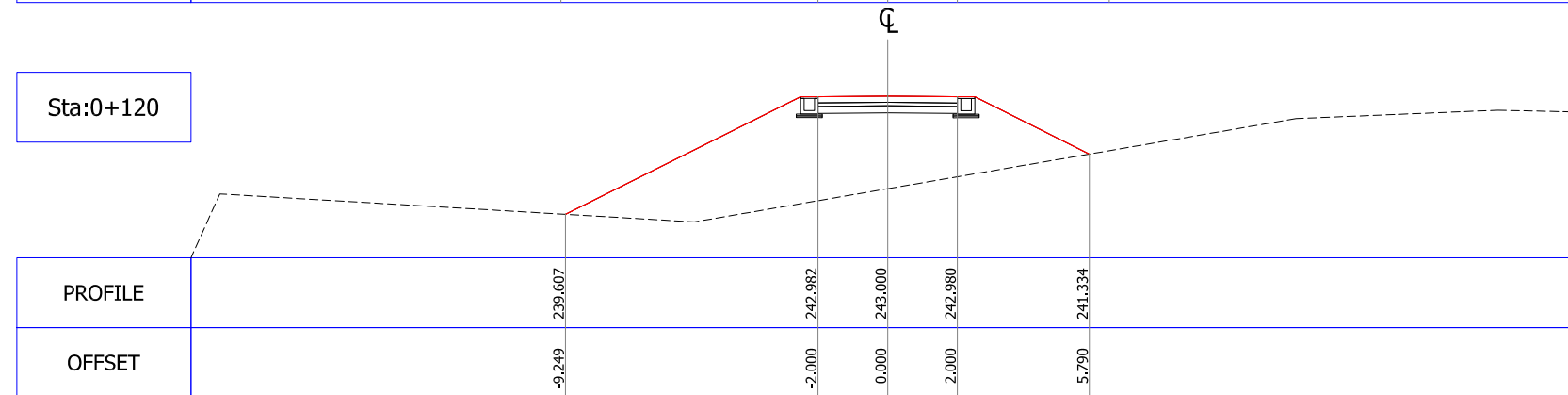
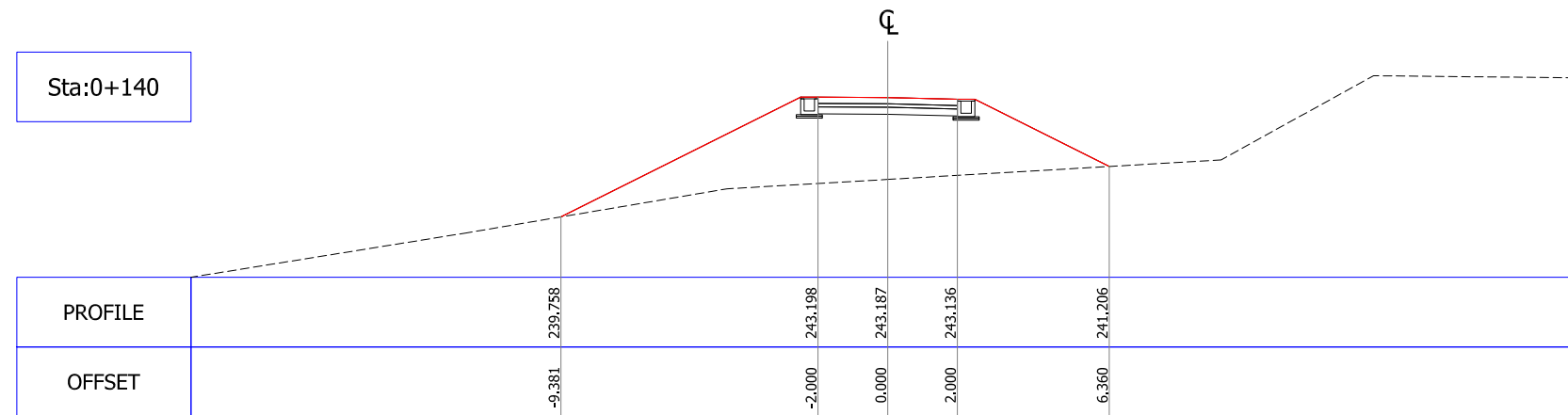
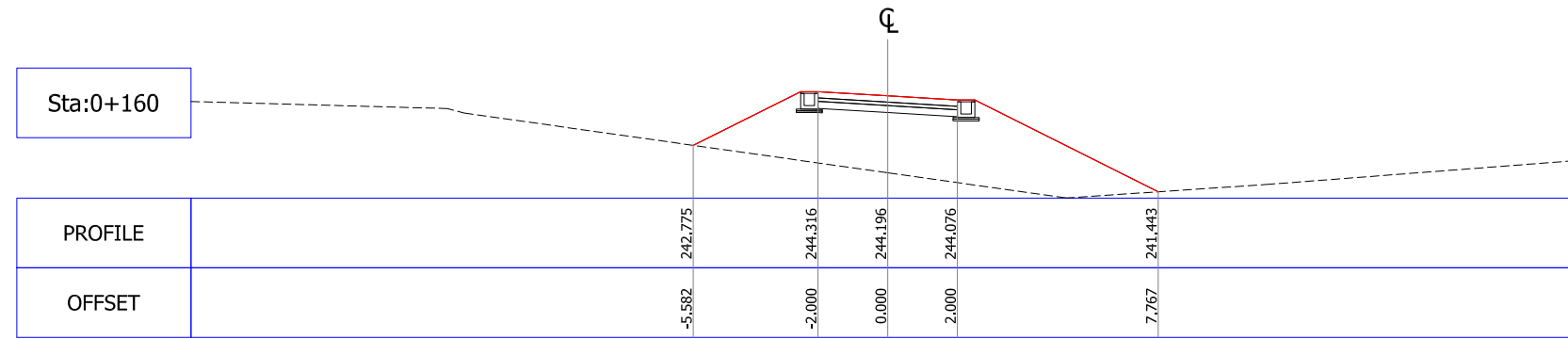


LAO PEOPLE'S DEMOCRATIC REPUBLIC (LAO PDR)
MINISTRY OF INFORMATION, CULTURE AND TOURISM

REV.	DATE	DESCRIPTION	DRN
RO1	20.07.2020	PRELIMINARY ISSUE	

DESIGNED/DRAWN:	
CHECKED:	
APPROVED:	

NAME OF PROJECT: 2ND GMS –TOURISM INFRASTRUCTURE FOR INCLUSIVE GROWTH WORKS PACKAGE -TIIGP2-LAO-W04 Subproject V5: Vang Vieng Solid Waste Management Improvements		SHEET NO.: 00 OF 00	SHEET SIZE: A3
TITLE: CROSS SECTION		SCALE:	
DRAWING NO.: RAM-LAO-DED-W04-C-01-20		REV: R01	DATE: JULY 2020



LEAD CONSULTANT :

RAMBOLL
 Hannemanns Alle 53
 DK-2300 København S
 Tlf. +45 5161 1000
 Fax +45 5161 1001
 www.ramboll.dk

SUB-CONSULTANT:

Waste Concern Consultants
 Level- 4, House No.- 120/B, (Masjid Road) Road- 7
 New DOHS Mohakhali Dhaka- 1207, Bangladesh
 Tlf. + 880-2-48810-841, + 880-2-48810-842
 Fax. + 880-2- 9899-486, Email- office@wasteconcern.org
 www.wasteconcern.org

CLIENT :

LAOS
 LAO PEOPLE'S DEMOCRATIC REPUBLIC (LAO PDR)
 MINISTRY OF INFORMATION, CULTURE AND TOURISM

REV.	DATE	DESCRIPTION	DRN
RO1	20.07.2020	PRELIMINARY ISSUE	

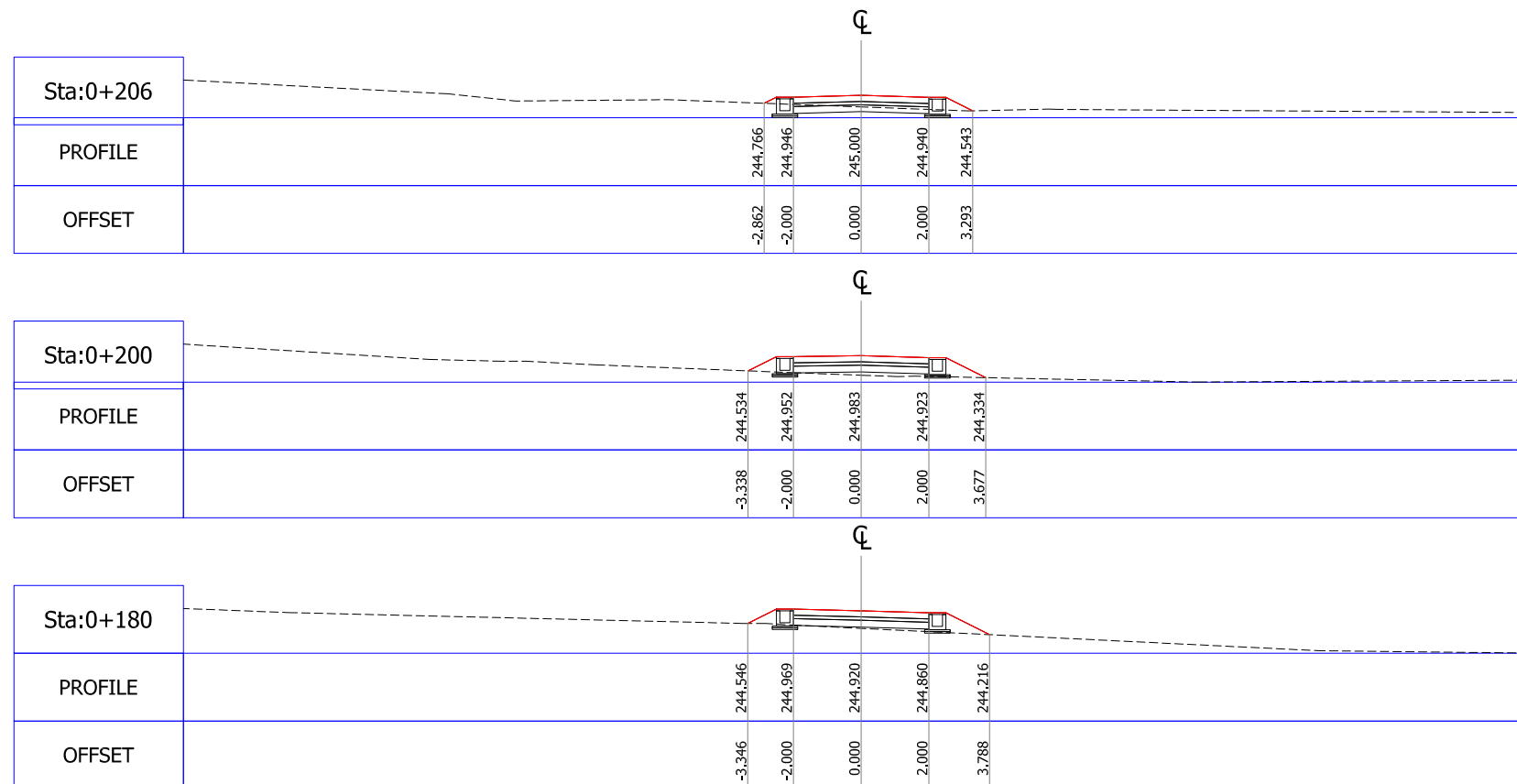
DESIGNED/DRAWN: /...
 CHECKED: /...
 APPROVED: /...

NAME OF PROJECT:
2ND GMS –TOURISM INFRASTRUCTURE FOR INCLUSIVE GROWTH
WORKS PACKAGE -TIIGP2-LAO-W04
Subproject V5: Vang Vieng Solid Waste Management Improvements

TITLE:
CROSS SECTION

DRAWING NO.: RAM-LAO-DED-W04-C-01-21

SHEET NO.: 00 OF 00 SHEET SIZE: A3
 SCALE:
 REV: R01 DATE: JULY 2020



LEAD CONSULTANT :



Hannemanns Alle 53
DK-2300 København S
Tlf. +45 5161 1000
Fax +45 5161 1001
www.ramboll.dk

SUB-CONSULTANT:



Waste Concern Consultants
Level- 4, House No.- 120/B, (Masjid Road) Road- 7
New DOHS Mohakhali Dhaka- 1207, Bangladesh
Tlf. + 880-2-48810-841, + 880-2-48810-842
Fax. + 880-2- 9899-486, Email- office@wasteconcern.org
www.wasteconcern.org

CLIENT :

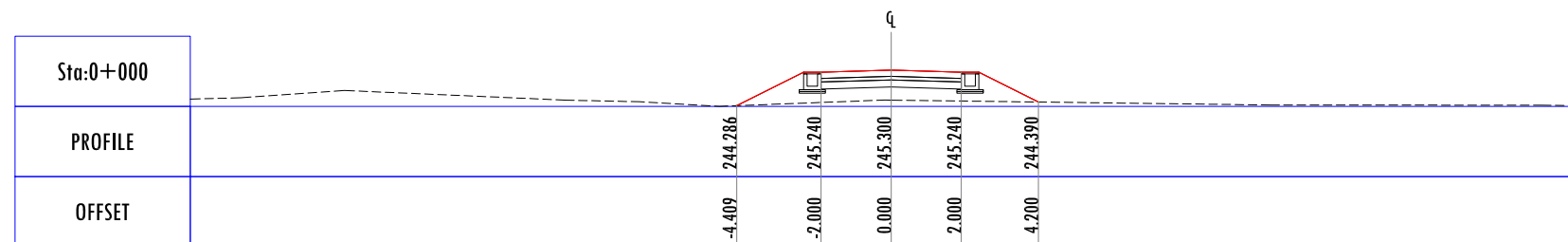
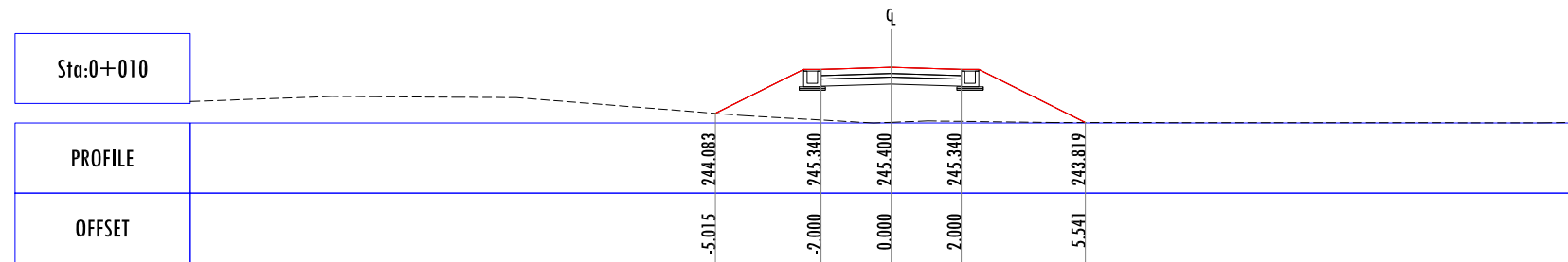


LAO PEOPLE'S DEMOCRATIC REPUBLIC (LAO PDR)
MINISTRY OF INFORMATION, CULTURE AND TOURISM

REV.	DATE	DESCRIPTION	DRN
RO1	20.07.2020	PRELIMINARY ISSUE	

DESIGNED/DRAWN:
CHECKED:
APPROVED:

NAME OF PROJECT: 2ND GMS –TOURISM INFRASTRUCTURE FOR INCLUSIVE GROWTH WORKS PACKAGE -TIIGP2-LAO-W04 Subproject V5: Vang Vieng Solid Waste Management Improvements		SHEET NO.: 00 OF 00	SHEET SIZE: A3
TITLE: CROSS SECTION		SCALE:	
DRAWING NO.: RAM-LAO-DED-W04-C-01-22		REV: R01	DATE: JULY 2020



LEAD CONSULTANT :



Hannemanns Alle 53
DK-2300 København S
Tlf. +45 5161 1000
Fax +45 5161 1001
www.ramboll.dk

SUB-CONSULTANT:



Waste Concern Consultants
Level- 4, House No.- 120/B, (Masjid Road) Road- 7
New DOHS Mohakhali Dhaka- 1207, Bangladesh
Tlf. + 880-2-48810-841, + 880-2-48810-842
Fax. + 880-2- 9899-486, Email- office@wasteconcern.org
www.wasteconcern.org

CLIENT :



LAO PEOPLE'S DEMOCRATIC REPUBLIC (LAO PDR)
MINISTRY OF INFORMATION, CULTURE AND TOURISM

REV.	DATE	DESCRIPTION	DRN
RO1	20.07.2020	PRELIMINARY ISSUE	

DESIGNED/DRAWN:
CHECKED:
APPROVED:

NAME OF PROJECT:		2ND GMS –TOURISM INFRASTRUCTURE FOR INCLUSIVE GROWTH	
		WORKS PACKAGE -TIIGP2-LAO-W04	
		Subproject V5: Vang Vieng Solid Waste Management Improvements	
TITLE:	CROSS SECTION	SHEET NO.:	00 OF 00
		SHEET SIZE:	A3
DRAWING NO.:	RAM-LAO-DED-W04-C-01-23	REV:	R01
		DATE:	JULY 2020

TOTAL VOLUME TABLE (R01)

STATION	AREAS Square Meters		VOLUMES Cubic Meters		CUMULATIVE VOLUMES Cubic Meters	
	CUT	FILL	CUT	FILL	CUT	FILL
0+000	0.000	2.930				
0+020	0.000	2.575	0.000	55.043	0.000	55.043
0+040	0.000	2.484	0.000	50.592	0.000	105.635
0+060	0.000	1.908	0.000	43.678	0.000	149.314
0+080	0.000	1.725	0.000	36.329	0.000	185.643
0+100	0.000	2.729	0.000	43.904	0.000	229.547
0+120	1.415	0.000	14.149	27.286	14.149	256.833
0+140	0.823	0.926	22.380	9.263	36.529	266.096
0+160	0.085	1.140	9.084	20.660	45.613	286.756
0+180	0.000	1.926	0.854	30.654	46.466	317.410
0+182.050	0.000	1.681	0.000	3.697	46.466	321.107
			0.000	0.000	46.466	321.107

TOTAL VOLUME TABLE (R02)

STATION	AREAS Square Meters		VOLUMES Cubic Meters		CUMULATIVE VOLUMES Cubic Meters	
	CUT	FILL	CUT	FILL	CUT	FILL
0+000	0.000	4.066				
0+020	0.000	2.736	0.000	68.020	0.000	68.020
0+040	3.535	0.000	35.350	27.358	35.350	95.378
0+060	3.385	0.000	69.197	0.000	104.547	95.378
0+066.565	4.190	0.000	24.863	0.000	129.410	95.378
			0.000	0.000	129.410	95.378

TOTAL VOLUME TABLE (R03)

STATION	AREAS Square Meters		VOLUMES Cubic Meters		CUMULATIVE VOLUMES Cubic Meters	
	CUT	FILL	CUT	FILL	CUT	FILL
0+000	0.000	3.149				
0+020	0.008	1.787	0.080	49.361	0.080	49.361
0+040	0.000	7.687	0.080	94.741	0.161	144.102
0+060	0.000	18.740	0.000	264.270	0.161	408.372
0+080	0.000	25.052	0.000	437.921	0.161	846.293
0+100	0.000	18.378	0.000	403.701	0.161	1249.994
0+120	0.000	28.530	0.000	450.325	0.161	1700.319
0+140	0.000	23.943	0.000	524.729	0.161	2225.048
0+160	0.000	21.237	0.000	451.130	0.161	2676.178
0+180	0.000	3.135	0.000	243.723	0.161	2919.901
0+200	0.000	3.227	0.000	63.617	0.161	2983.518
0+205.806	0.000	1.723	0.000	14.369	0.161	2997.887
			0.000	0.000	0.161	2997.887

TOTAL VOLUME TABLE (R04)

STATION	AREAS Square Meters		VOLUMES Cubic Meters		CUMULATIVE VOLUMES Cubic Meters	
	CUT	FILL	CUT	FILL	CUT	FILL
0+000	0.000	5.782				
0+010	0.000	11.632	0.000	87.067	0.000	87.067
			0.000	0.000	0.000	87.067

LEAD CONSULTANT :



Hannemanns Alle 53
DK-2300 København S
Tlf. +45 5161 1000
Fax +45 5161 1001
www.ramboll.dk

SUB-CONSULTANT:



Waste Concern Consultants
Level- 4, House No.- 120/B, (Masjid Road) Road- 7
New DOHS Mohakhali Dhaka- 1207, Bangladesh
Tlf. + 880-2-48810-841, + 880-2-48810-842
Fax. + 880-2- 9899-486, Email- office@wasteconcern.org
www.wasteconcern.org

CLIENT :



LAO PEOPLE'S DEMOCRATIC REPUBLIC (LAO PDR)
MINISTRY OF INFORMATION, CULTURE AND TOURISM

REV.	DATE	DESCRIPTION	DRN
RO1	20.07.2020	PRELIMINARY ISSUE	

DESIGNED/DRAWN:

CHECKED:

APPROVED:

NAME OF PROJECT:
**2ND GMS –TOURISM INFRASTRUCTURE FOR INCLUSIVE GROWTH
WORKS PACKAGE -TIIGP2-LAO-W04**

Subproject V5: Vang Vieng Solid Waste Management Improvements

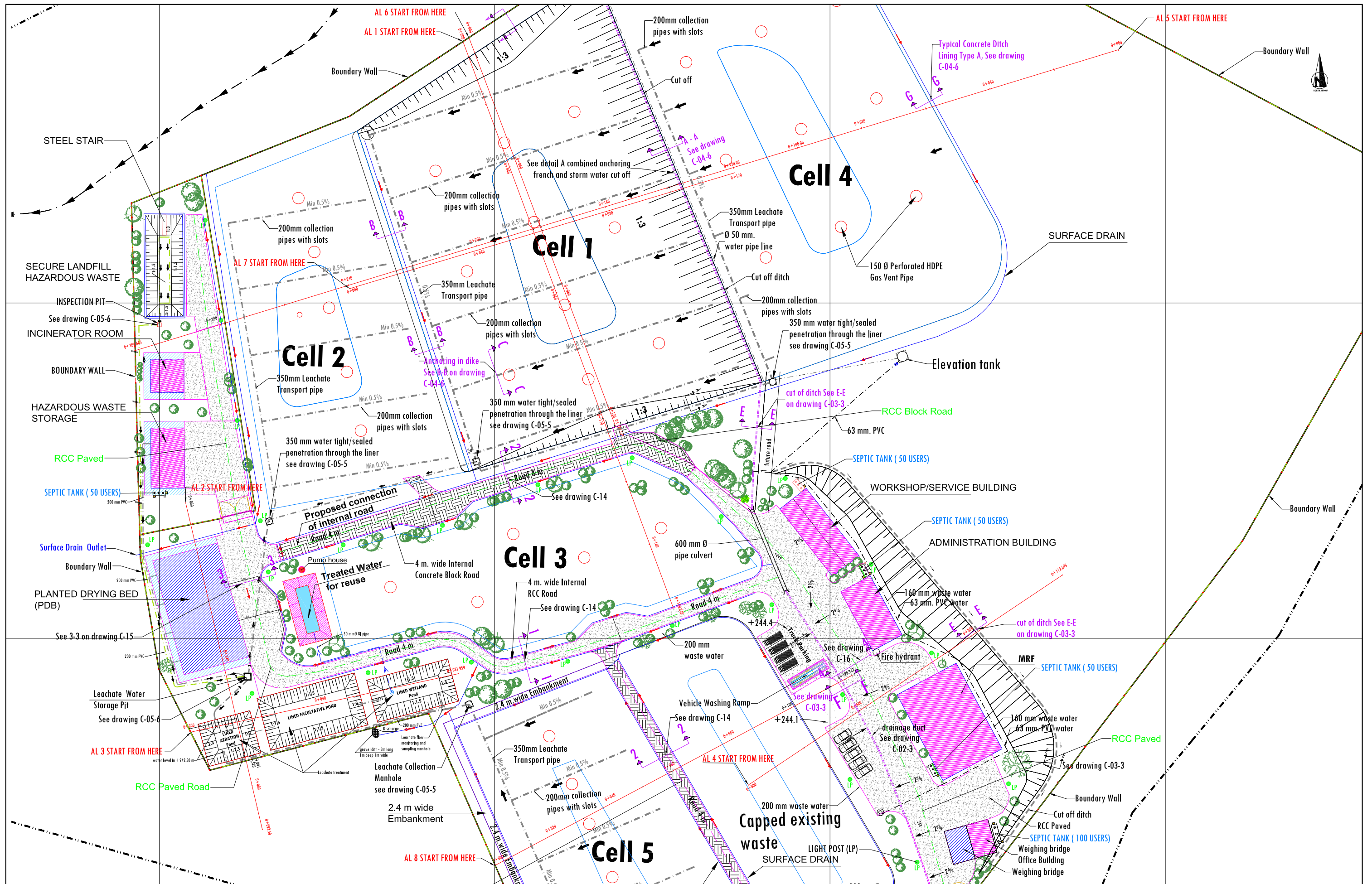
TITLE:
TOTAL VOLUME TABLE

DRAWING NO.: RAM-LAO-DED-W04-C-01-24

SHEET NO.: 00 OF 00
SHEET SIZE: A3

SCALE:

REV: R01 DATE: JULY 2020



LEAD CONSULTANT :
RAMBOLL
 Hannemanns Alle 53
 DK-2300 København S
 Tlf. +45 5161 1000
 Fax +45 5161 1001
 www.ramboll.dk

SUB-CONSULTANT:
Waste Concern Consultants
 Level- 4, House No.- 120/B, (Masjid Road) Road-7
 New DOHS Mohakhali Dhaka- 1207, Bangladesh
 Tlf. + 880-2-48810-841, + 880-2-48810-842
 Fax. + 880-2- 9899-486, Email- office@wasteconcern.org
 www.wasteconcern.org

CLIENT :
LAOS
 LAO PEOPLE'S DEMOCRATIC REPUBLIC (LAO PDR)
 MINISTRY OF INFORMATION, CULTURE AND TOURISM

REV.	DATE	DESCRIPTION	DRN
RO1	20.07.2020	PRELIMINARY ISSUE	

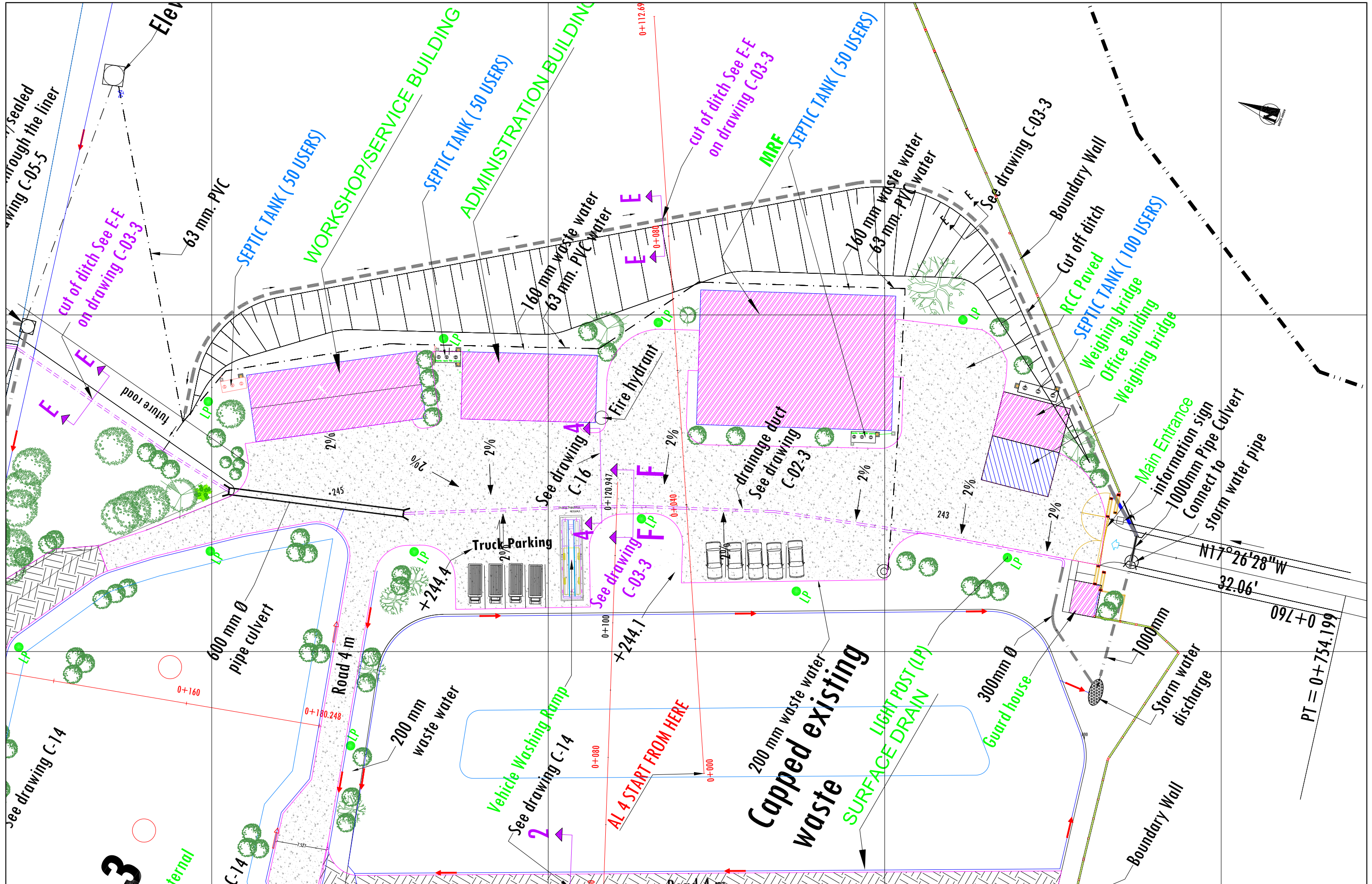
DESIGNED/DRAWN: _____
 CHECKED: _____
 APPROVED: _____

NAME OF PROJECT:
**2ND GMS -TOURISM INFRASTRUCTURE FOR INCLUSIVE GROWTH
 WORKS PACKAGE -TIIGP2-LAO-W04
 Subproject V5: Vang Vieng Solid Waste Management Improvements**

TITLE:
 Site Layout with Facilities with Alignments of Cross Section


DRAWING NO.: RAM-LAO-DED-W04-C-03-1

SHEET NO.: 00 OF 00
 SCALE: _____
 REV: R01
 DATE: JULY 2020



LEAD CONSULTANT :
RAMBOLL
 Hannemanns Alle 53
 DK-2300 København S
 Tlf. +45 5161 1000
 Fax +45 5161 1001
 www.ramboll.dk

SUB-CONSULTANT:
Waste Concern Consultants
 Level- 4, House No.- 120/B, (Masjid Road) Road- 7
 New DOHS Mohakhali Dhaka- 1207, Bangladesh
 Tlf. + 880-2-48810-841, + 880-2-48810-842
 Fax. + 880-2- 9899-486, Email- office@wasteconcern.org
 www.wasteconcern.org

CLIENT :

LAOS
 LAO PEOPLE'S DEMOCRATIC REPUBLIC (LAO PDR)
 MINISTRY OF INFORMATION, CULTURE AND TOURISM

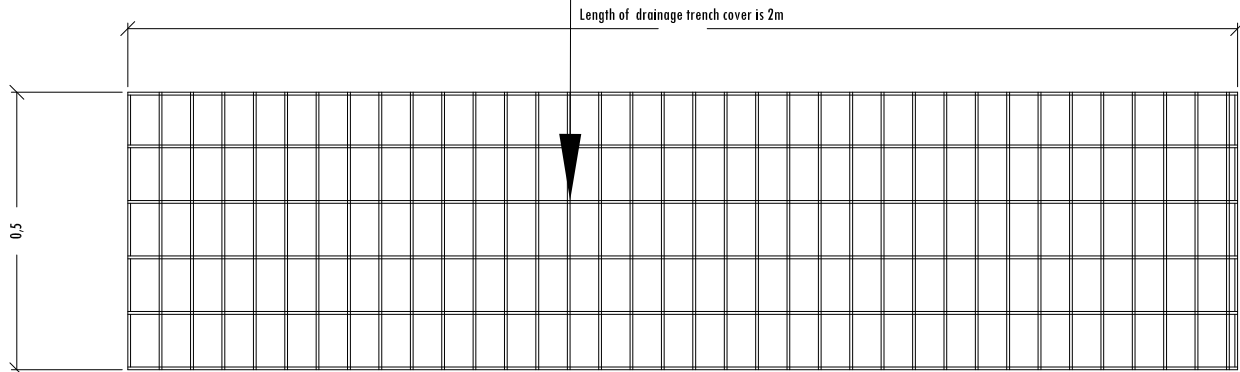
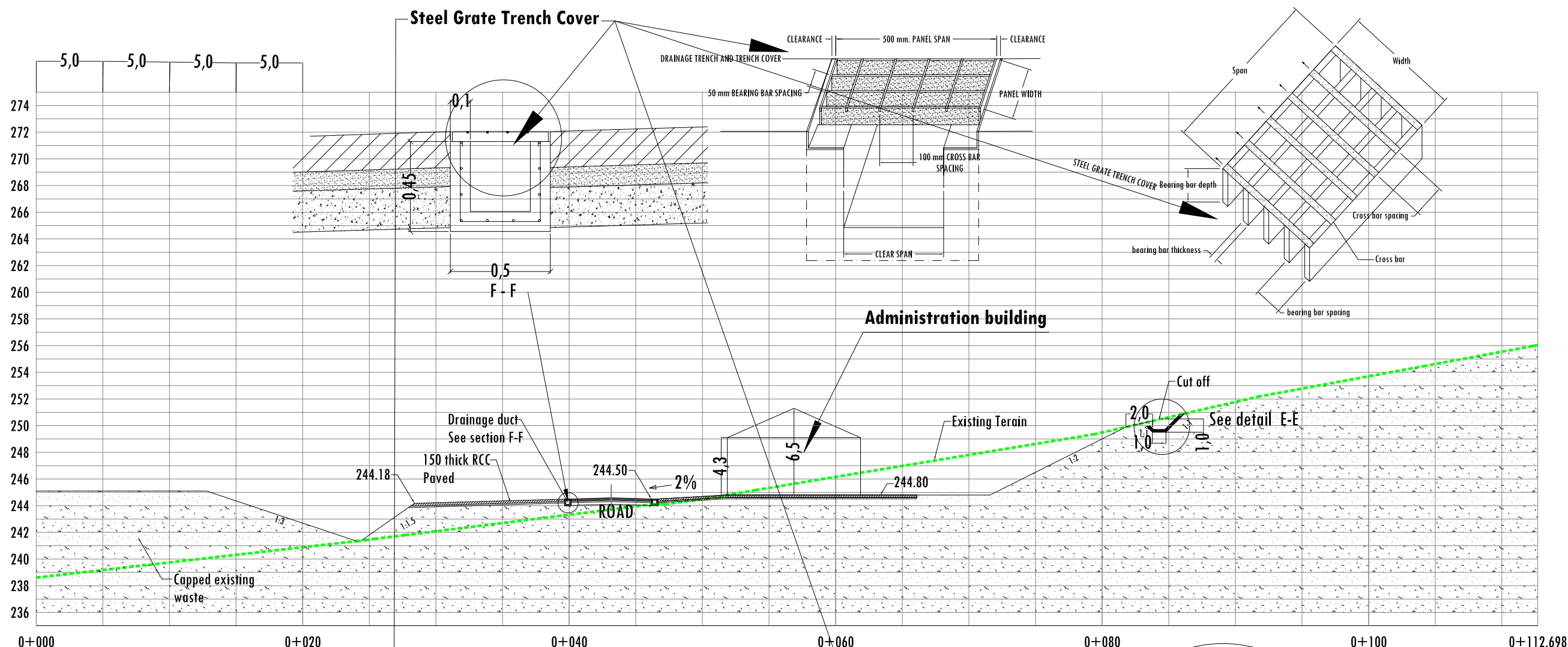
REV.	DATE	DESCRIPTION	DRN
RO1	20.07.2020	PRELIMINARY ISSUE	

DESIGNED/DRAWN:
 CHECKED:
 APPROVED:
 NAME OF PROJECT:
2ND GMS -TOURISM INFRASTRUCTURE FOR INCLUSIVE GROWTH
WORKS PACKAGE -TIIGP2-LAO-W04
Subproject V5: Vang Vieng Solid Waste Management Improvements
 TITLE:
 Central Site Area - Traffic Arterials, Signs, Grading and Drainage
 SHEET NO.: 00 OF 00
 SHEET SIZE: A3
 SCALE:
 DRAWING NO.: RAM-LAO-DED-W04-C-03-2
 REV: R01
 DATE: JULY 2020

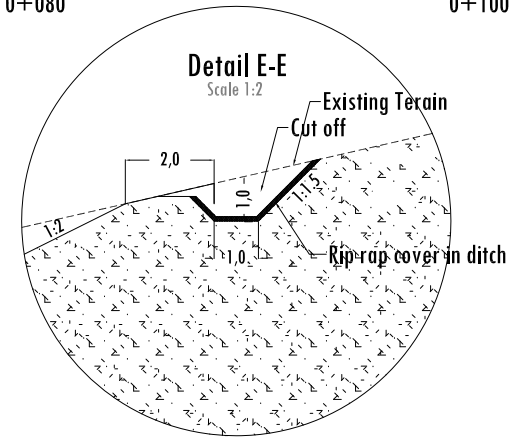


AL 4 PROFILE

E-E & F-F in drawing C-04-3
AL4 0+000 - 0+112.698



1. Material : 304 316 stainless steel
2. Welding type : sswaged locked, presure locked, weled, weaved locked, revited locked
3. Grating Style : Plain, smooth, serrated,/teeth, I bar, serrated I bar
4. Length & width : customized
5. Cross bar : 6mm 8mm
6. Cross bar spacing : 50mm
7. Bearing bar thickness: 3mm 4mm 5mm
8. Bearing bar depth : 25 30 32 35 40 45 50 60mm



LEAD CONSULTANT :

Hannemanns Alle 53
DK-2300 København S
Tlf. +45 5161 1000
Fax +45 5161 1001
www.ramboll.dk

SUB-CONSULTANT:

Waste Concern Consultants
Level- 4, House No.- 120/B, (Masjid Road) Road- 7
New DOHS Mohakhali Dhaka- 1207, Bangladesh
Tlf. + 880-2-48810-841, + 880-2-48810-842
Fax. + 880-2- 9899-486, Email- office@wasteconcern.org
www.wasteconcern.org

CLIENT :

LAO PEOPLE'S DEMOCRATIC REPUBLIC (LAO PDR)
MINISTRY OF INFORMATION, CULTURE AND TOURISM

REV.	DATE	DESCRIPTION	DRN
RO1	20.07.2020	PRELIMINARY ISSUE	

DESIGNED/DRAWN: _____

CHECKED: _____

APPROVED: _____

NAME OF PROJECT:
2ND GMS -TOURISM INFRASTRUCTURE FOR INCLUSIVE GROWTH
WORKS PACKAGE -TIIGP2-LAO-W04
Subproject V5: Vang Vieng Solid Waste Management Improvements

TITLE:
Cross Section: AL 4 Profile Central Site Area

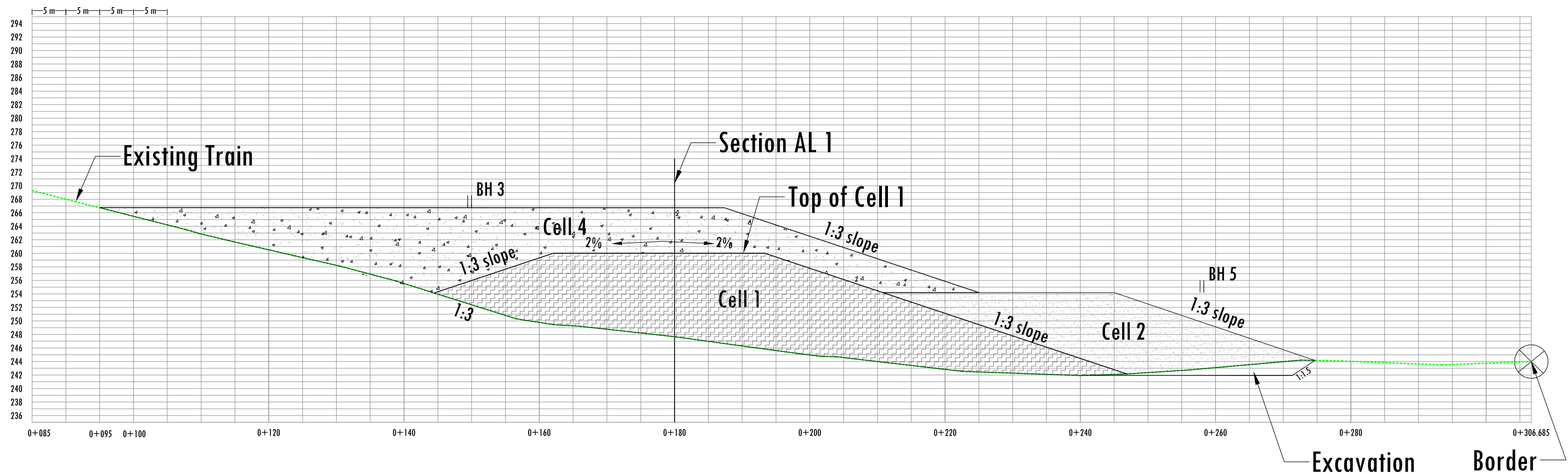
DRAWING NO.: RAM-LAO-DED-W04-C-03-3

SHEET NO.: 00 OF 00
SHEET SIZE: A3
SCALE: _____

REV: R01
DATE: JULY 2020

AL 5 PROFILE

Cross section of cell development



LEAD CONSULTANT :
RAMBOLL
 Hannemanns Alle 53
 DK-2300 København S
 Tlf. +45 5161 1000
 Fax +45 5161 1001
 www.ramboll.dk

SUB-CONSULTANT:

Waste Concern Consultants
 Level- 4, House No.- 120/B, (Masjid Road) Road- 7
 New DOHS Mohakhali Dhaka- 1207, Bangladesh
 Tlf. + 880-2-48810-841, + 880-2-48810-842
 Fax. + 880-2- 9899-486, Email- office@wasteconcern.org
 www.wasteconcern.org

CLIENT :

LAOS
 LAO PEOPLE'S DEMOCRATIC REPUBLIC (LAO PDR)
 MINISTRY OF INFORMATION, CULTURE AND TOURISM

DESIGNED/DRAWN:	NAME OF PROJECT:
CHECKED:	2ND GMS –TOURISM INFRASTRUCTURE FOR INCLUSIVE GROWTH
APPROVED:	WORKS PACKAGE -TIIGP2-LAO-W04
REV. DATE DESCRIPTION DRN	Subproject V5: Vang Vieng Solid Waste Management Improvements
RO1 20.07.2020 PRELIMINARY ISSUE	TITLE: PRINCIPAL LANDFILL SECTIONS: AL 5 Profile
	DRAWING NO.: RAM-LAO-DED-W04-C-04-1

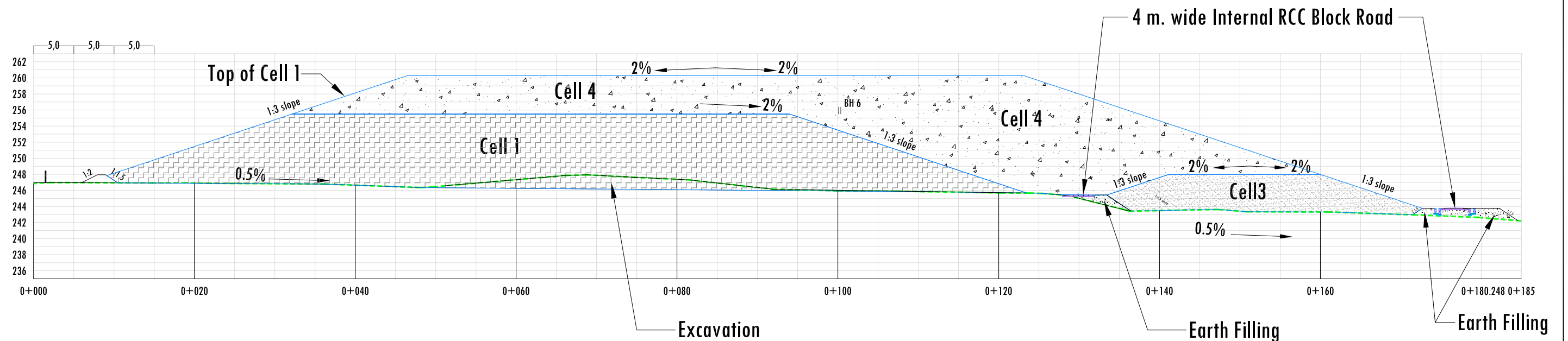
SHEET NO.: 00 OF 00	SHEET SIZE: A3
SCALE:	REV: R01
DATE: JULY 2020	



AL 1 PROFILE

Cross section of land fill cell 1 development

AL1 0+000 - 0+180.248



LEAD CONSULTANT :



Hannemanns Alle 53
DK-2300 København S
Tlf. +45 5161 1000
Fax +45 5161 1001
www.ramboll.dk

SUB-CONSULTANT:



Waste Concern Consultants
Level- 4, House No.- 120/B, (Masjid Road) Road- 7
New DOHS Mohakhali Dhaka- 1207, Bangladesh
Tlf. + 880-2-48810-841, + 880-2-48810-842
Fax. + 880-2- 9899-486, Email- office@wasteconcern.org
www.wasteconcern.org

CLIENT :

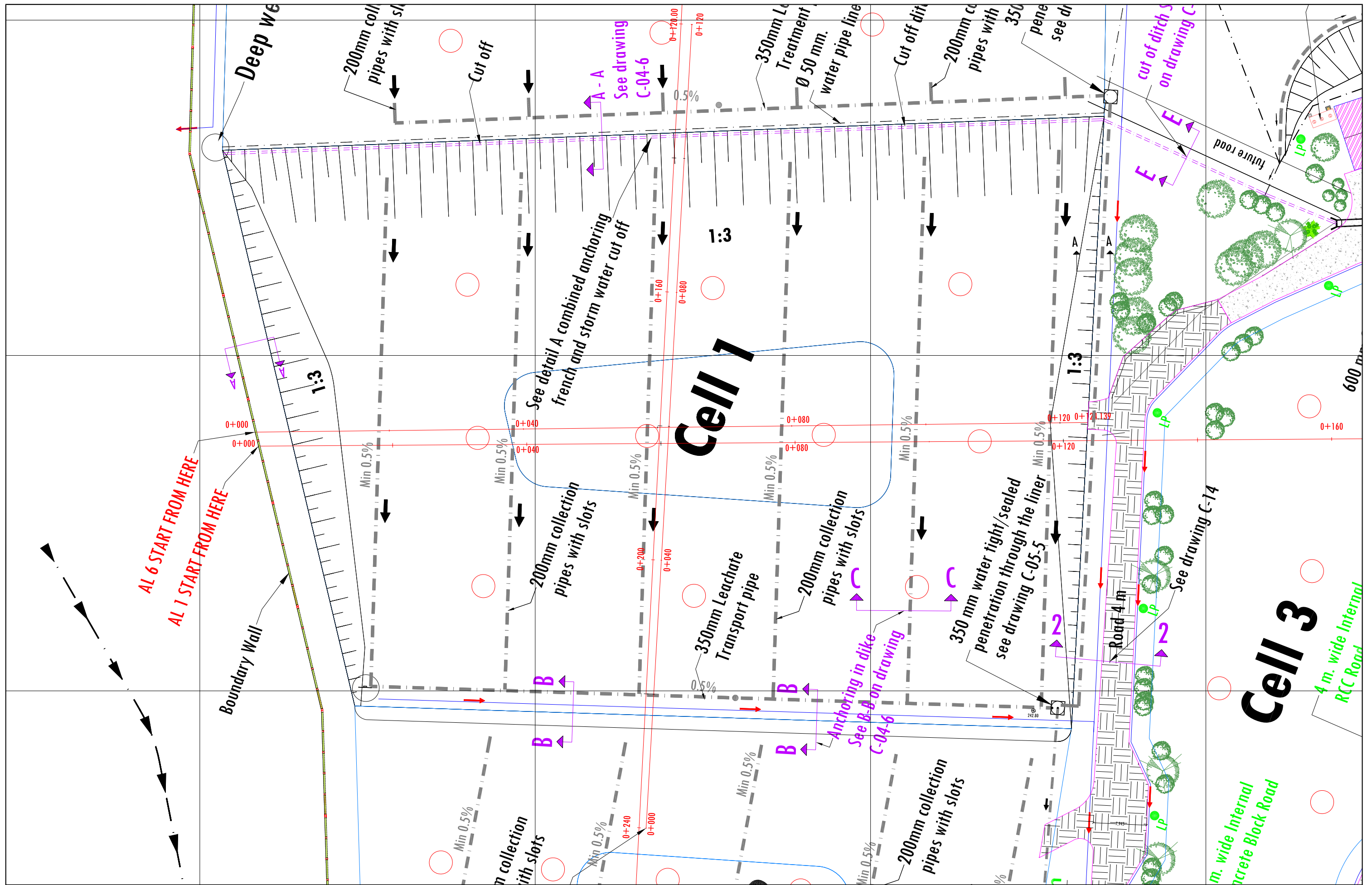


LAO PEOPLE'S DEMOCRATIC REPUBLIC (LAO PDR)
MINISTRY OF INFORMATION, CULTURE AND TOURISM

REV.	DATE	DESCRIPTION	DRN
RO1	20.07.2020	PRELIMINARY ISSUE	

DESIGNED/DRAWN: /
CHECKED: /
APPROVED: /

NAME OF PROJECT: 2ND GMS -TOURISM INFRASTRUCTURE FOR INCLUSIVE GROWTH WORKS PACKAGE -TIIGP2-LAO-W04 Subproject V5: Vang Vieng Solid Waste Management Improvements		SHEET NO.: 00 OF 00	SHEET SIZE: A3
TITLE: PRINCIPAL LANDFILL SECTIONS: AL 1 Profile		SCALE:	
DRAWING NO.: RAM-LAO-DED-W04-C-04-2		REV: R01	DATE: JULY 2020



LEAD CONSULTANT :



Hannemanns Alle 53
DK-2300 København S
Tlf. +45 5161 1000
Fax +45 5161 1001
www.ramboll.dk

SUB-CONSULTANT:



Waste Concern Consultants
Level- 4, House No.- 120/B, (Masjid Road) Road- 7
New DOHS Mohakhali Dhaka- 1207, Bangladesh
Tlf. + 880-2-48810-841, + 880-2-48810-842
Fax. + 880-2- 9899-486, Email- office@wasteconcern.org
www.wasteconcern.org

CLIENT :



LAO PEOPLE'S DEMOCRATIC REPUBLIC (LAO PDR)
MINISTRY OF INFORMATION, CULTURE AND TOURISM

REV.	DATE	DESCRIPTION	DRN
RO1	20.07.2020	PRELIMINARY ISSUE	

DESIGNED/DRAWN:

CHECKED:

APPROVED:

NAME OF PROJECT:
2ND GMS -TOURISM INFRASTRUCTURE FOR INCLUSIVE GROWTH
WORKS PACKAGE -TIIGP2-LAO-W04
Subproject V5: Vang Vieng Solid Waste Management Improvements

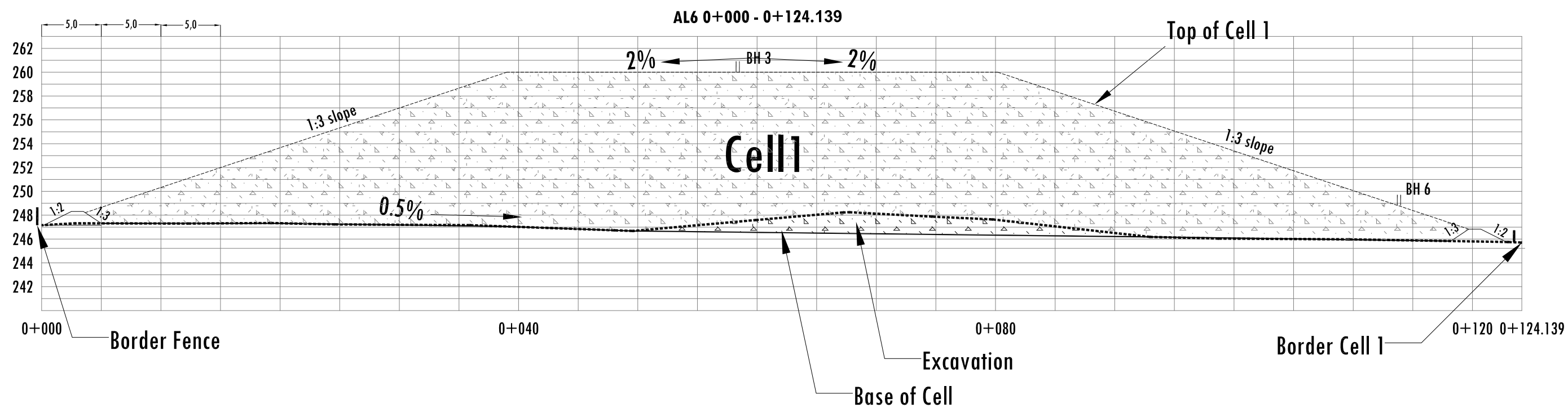
TITLE:
Cell 1 Plan Site Grading and Leachate Collections

DRAWING NO.: RAM-LAO-DED-W04-C-04-3

SHEET NO.: 00 OF 00
SCALE:
REV: R01
DATE: JULY 2020

SHEET SIZE: A3


AL 6 PROFILE



LEAD CONSULTANT :
RAMBOLL
 Hannemanns Alle 53
 DK-2300 København S
 Tlf. +45 5161 1000
 Fax +45 5161 1001
 www.ramboll.dk

SUB-CONSULTANT:

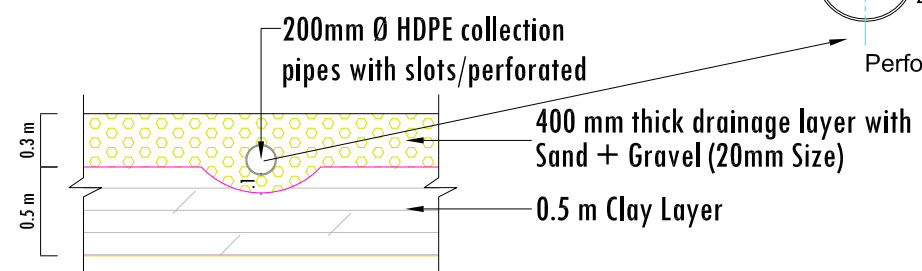
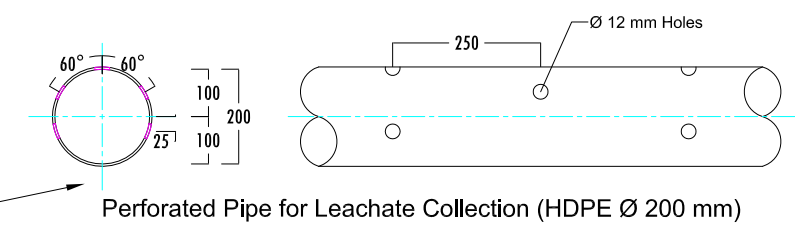
Waste Concern Consultants
 Level- 4, House No.- 120/B, (Masjid Road) Road- 7
 New DOHS Mohakhali Dhaka- 1207, Bangladesh
 Tlf. + 880-2-48810-841, + 880-2-48810-842
 Fax. + 880-2- 9899-486, Email- office@wasteconcern.org
 www.wasteconcern.org

CLIENT :

LAOS
 LAO PEOPLE'S DEMOCRATIC REPUBLIC (LAO PDR)
 MINISTRY OF INFORMATION, CULTURE AND TOURISM

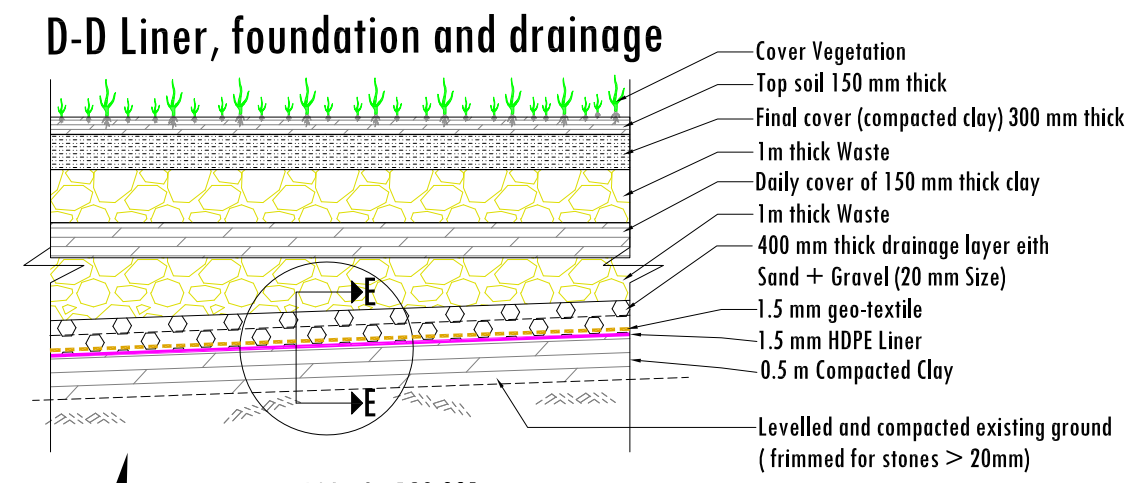
REV.	DATE	DESCRIPTION	DRN
RO1	20.07.2020	PRELIMINARY ISSUE	

DESIGNED/DRAWN:	NAME OF PROJECT: 2ND GMS –TOURISM INFRASTRUCTURE FOR INCLUSIVE GROWTH WORKS PACKAGE -TIIGP2-LAO-W04	SHEET NO.:	SHEET SIZE:
CHECKED:	Subproject V5: Vang Vieng Solid Waste Management Improvements	00 OF 00	A3
APPROVED:	TITLE: LANDFILL CELL 1 DEVELOPMENT CROSS SECTION: AL 6 Profile	SCALE:	
	DRAWING NO.: RAM-LAO-DED-W04-C-04-4	REV:	DATE:
		R01	JULY 2020

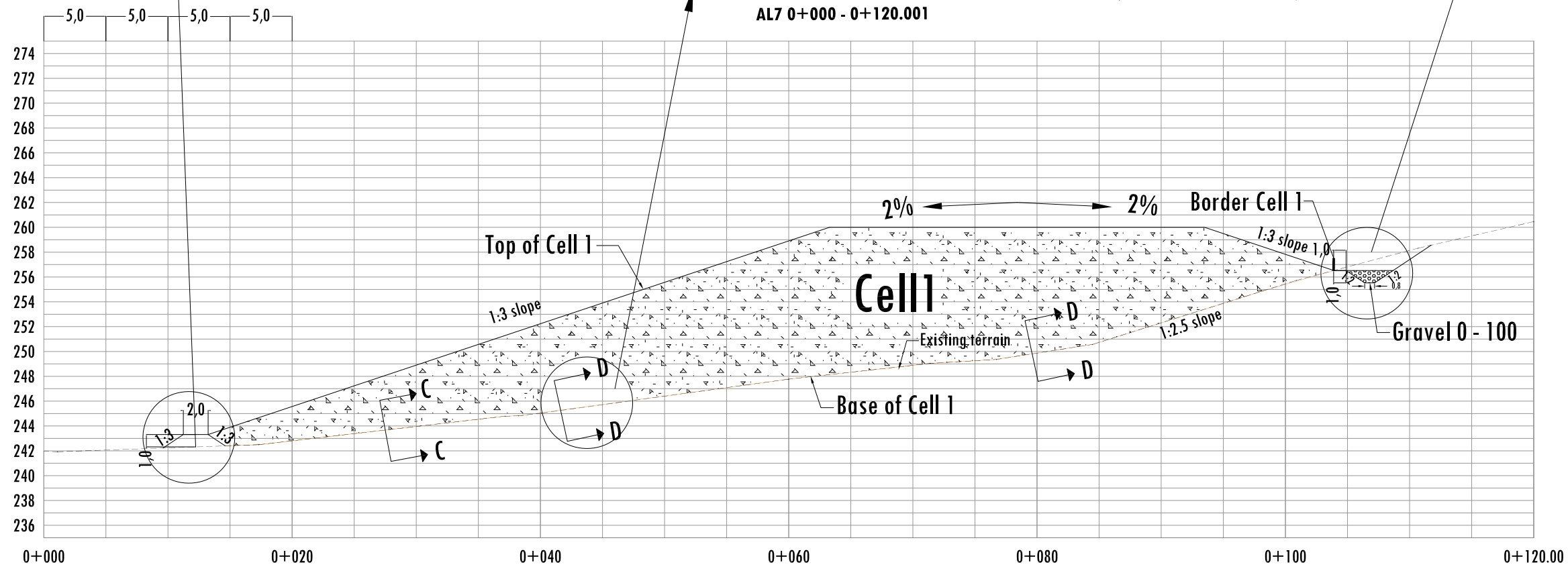
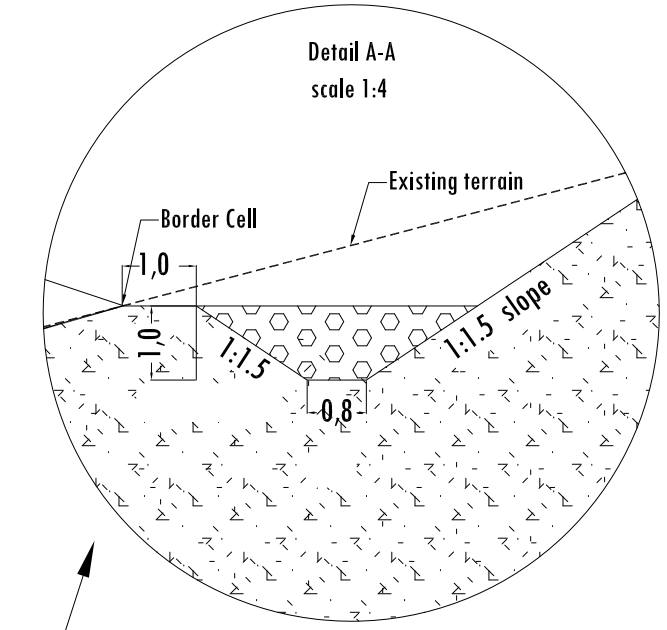
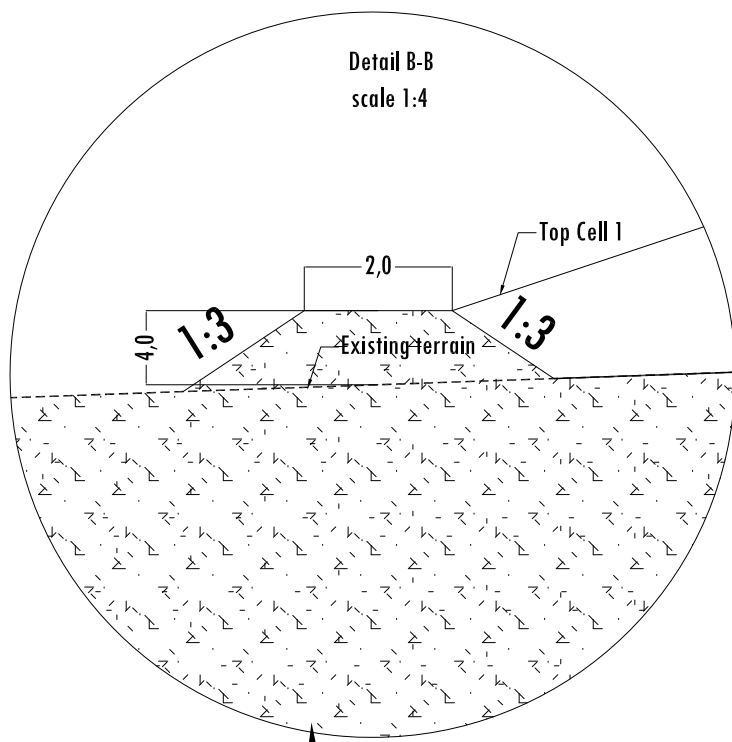
AL 7 PROFILE



Leachate Drainage E-E



D-D Liner, foundation and drainage



LEAD CONSULTANT :

Hannemanns Alle 53
DK-2300 København S
Tlf. +45 5161 1000
Fax +45 5161 1001
www.ramboll.dk

SUB-CONSULTANT:

Waste Concern Consultants
Level- 4, House No.- 120/B, (Masjid Road) Road- 7
New DOHS Mohakhali Dhaka- 1207, Bangladesh
Tlf. + 880-2-48810-841, + 880-2-48810-842
Fax. + 880-2- 9899-486, Email- office@wasteconcern.org
www.wasteconcern.org

CLIENT :

LAOS
LAO PEOPLE'S DEMOCRATIC REPUBLIC (LAO PDR)
MINISTRY OF INFORMATION, CULTURE AND TOURISM

REV.	DATE	DESCRIPTION	DRN
RO1	20.07.2020	PRELIMINARY ISSUE	

DESIGNED/DRAWN: _____

CHECKED: _____

APPROVED: _____

NAME OF PROJECT:
2ND GMS -TOURISM INFRASTRUCTURE FOR INCLUSIVE GROWTH
WORKS PACKAGE -TIIGP2-LAO-W04
Subproject V5: Vang Vieng Solid Waste Management Improvements

TITLE:
Cell Development Cross Section and Liner: AL 7 Profile

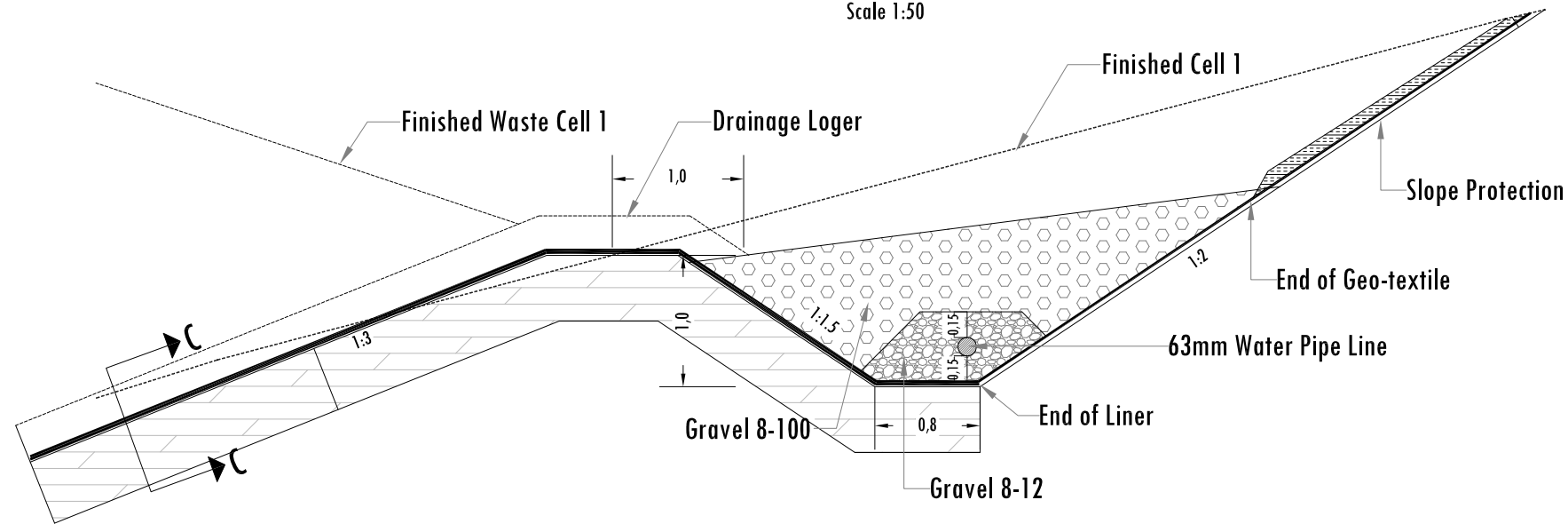
DRAWING NO.: RAM-LAO-DED-W04-C-04-5

SHEET NO.: 00 OF 00
SCALE: _____
SHEET SIZE: A3

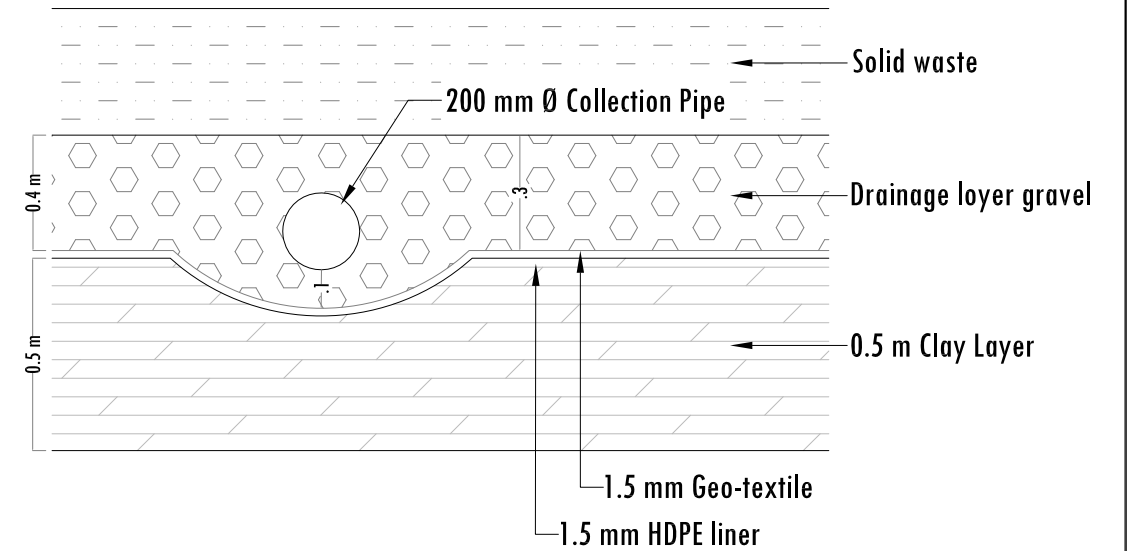
REV: R01 DATE: JULY 2020

Detail A Liner anchoring in the side slope A-A in drawing C-04-3

Scale 1:50

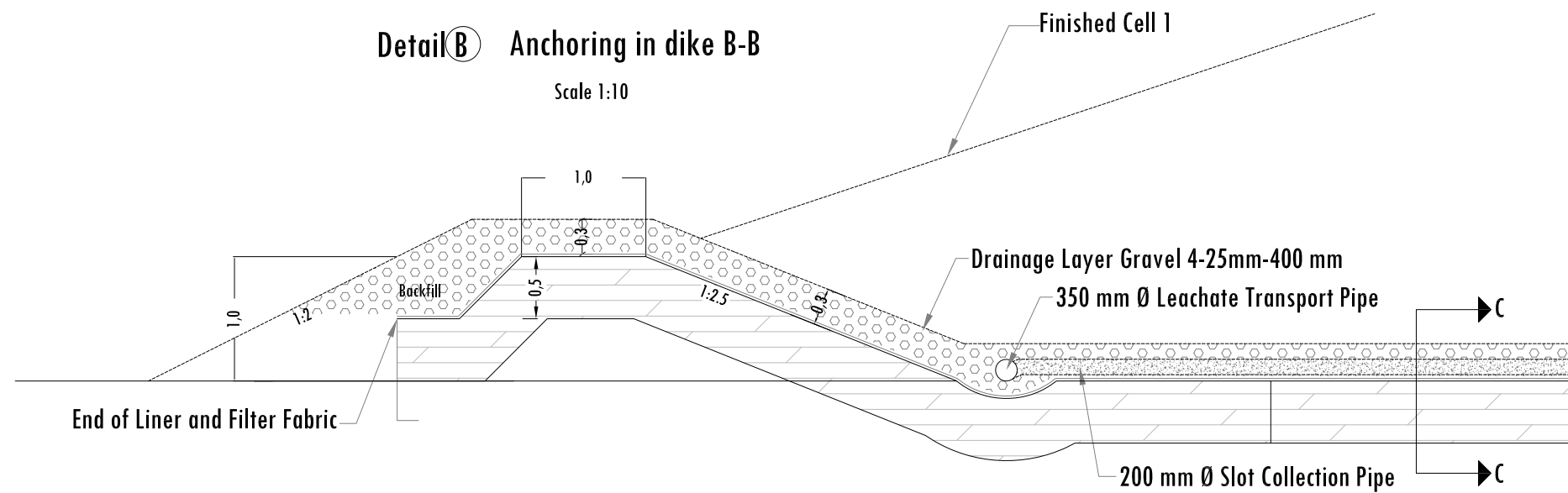


Detail C Leachate drainage C-C

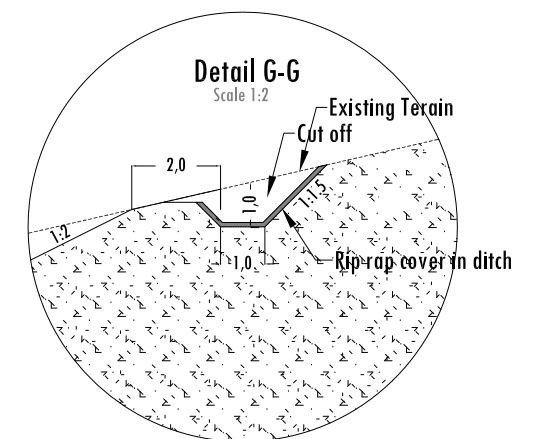


Detail B Anchoring in dike B-B

Scale 1:10



Detail G



LEAD CONSULTANT :



Hannemanns Alle 53
DK-2300 København S
Tlf. +45 5161 1000
Fax +45 5161 1001
www.ramboll.dk

SUB-CONSULTANT:



Waste Concern Consultants
Level- 4, House No.- 120/B, (Masjid Road) Road- 7
New DOHS Mohakhali Dhaka- 1207, Bangladesh
Tlf. + 880-2-48810-841, + 880-2-48810-842
Fax. + 880-2- 9899-486, Email- office@wasteconcern.org
www.wasteconcern.org

CLIENT :



LAO PEOPLE'S DEMOCRATIC REPUBLIC (LAO PDR)
MINISTRY OF INFORMATION, CULTURE AND TOURISM

REV.	DATE	DESCRIPTION	DRN
RO1	20.07.2020	PRELIMINARY ISSUE	

DESIGNED/DRAWN: /
CHECKED: /
APPROVED: /

NAME OF PROJECT:
**2ND GMS -TOURISM INFRASTRUCTURE FOR INCLUSIVE GROWTH
WORKS PACKAGE -TIIGP2-LAO-W04**

Subproject V5: Vang Vieng Solid Waste Management Improvements

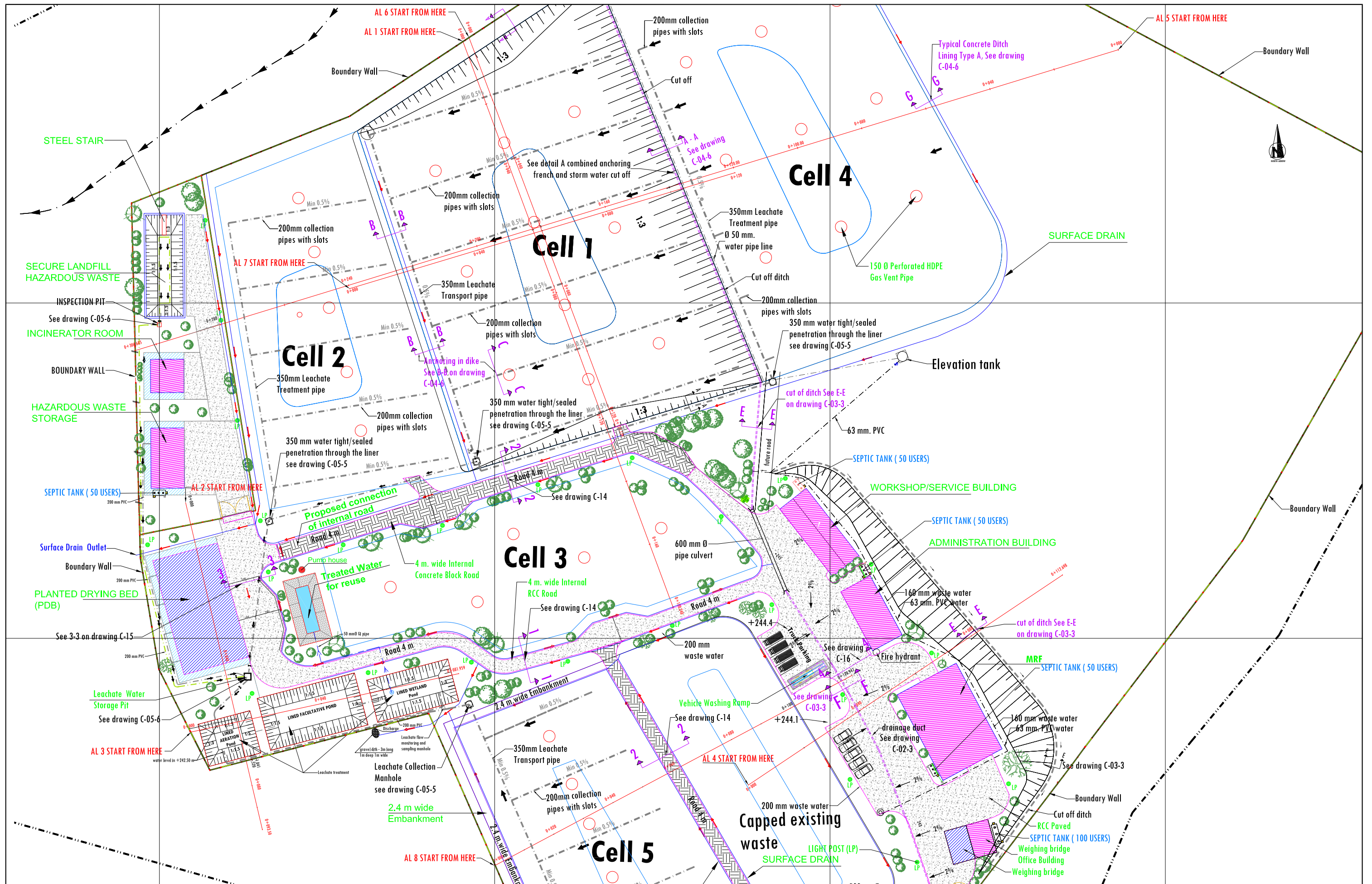
TITLE:
Anchor Trenches, Cross Section Details

DRAWING NO.: RAM-LAO-DED-W04-C-04-6

SHEET NO.: 00 OF 00
SCALE: /

REVISION: R01 DATE: JULY 2020

SHEET SIZE: A3



LEAD CONSULTANT :

RAMBOLL
 Hannemanns Alle 53
 DK-2300 København S
 Tlf. +45 5161 1000
 Fax +45 5161 1001
 www.ramboll.dk

SUB-CONSULTANT:

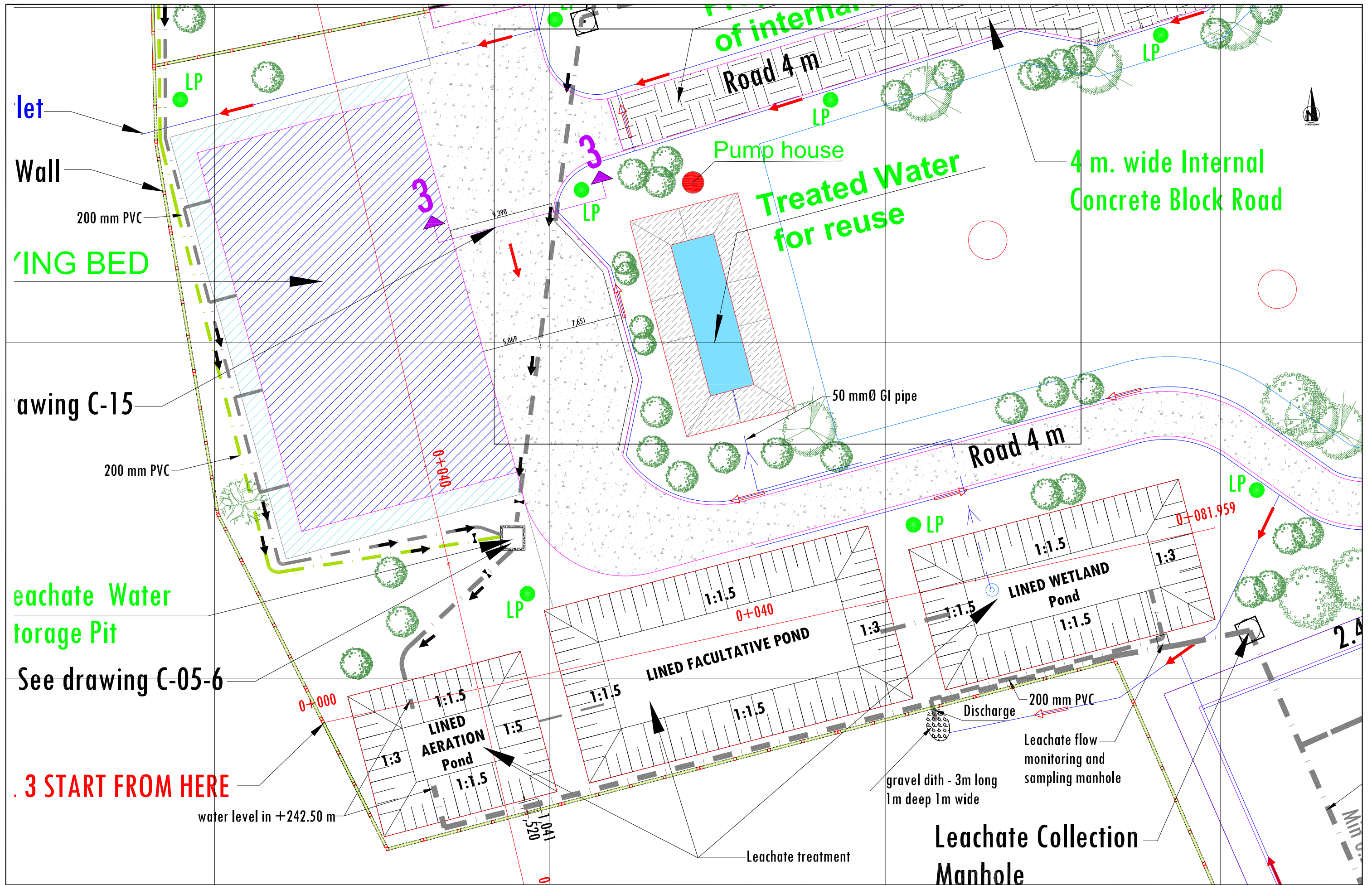
Waste Concern Consultants
 Level- 4, House No.- 120/B, (Masjid Road) Road-7
 New DOHS Mohakhali Dhaka- 1207, Bangladesh
 Tlf. + 880-2-48810-841, + 880-2-48810-842
 Fax. + 880-2- 9899-486, Email- office@wasteconcern.org
 www.wasteconcern.org

CLIENT :

LAOS
 LAO PEOPLE'S DEMOCRATIC REPUBLIC (LAO PDR)
 MINISTRY OF INFORMATION, CULTURE AND TOURISM

REV.	DATE	DESCRIPTION	DRN
RO1	20.07.2020	PRELIMINARY ISSUE	

DESIGNED/DRAWN:	NAME OF PROJECT:		
CHECKED:	2ND GMS -TOURISM INFRASTRUCTURE FOR INCLUSIVE GROWTH WORKS PACKAGE -TIIGP2-LAO-W04		
APPROVED:	Subproject V5: Vang Vieng Solid Waste Management Improvements		
	TITLE:	SHEET NO.:	SHEET SIZE:
	Overall Principal Leachate Collection and Treatment System	00 OF 00	A3
	DRAWING NO.:	REV:	DATE:
	RAM-LAO-DED-W04-C-05-1	R01	JULY 2020



LEAD CONSULTANT :
RAMBOLL
 Hannemanns Alle 53
 DK-2300 København S
 Tlf. +45 5161 1000
 Fax +45 5161 1001
 www.ramboll.dk

SUB-CONSULTANT:
Waste Concern Consultants
 Level- 4, House No.- 120/B, (Masjid Road) Road- 7
 New DOHS Mohakhali Dhaka- 1207, Bangladesh
 Tlf. + 880-2-48810-841, + 880-2-48810-842
 Fax. + 880-2- 9899-486, Email- office@wasteconcern.org
 www.wasteconcern.org

CLIENT :

LAOS
 LAO PEOPLE'S DEMOCRATIC REPUBLIC (LAO PDR)
 MINISTRY OF INFORMATION, CULTURE AND TOURISM

REV.	DATE	DESCRIPTION	DRN
RO1	20.07.2020	PRELIMINARY ISSUE	

DESIGNED/DRAWN: _____
 CHECKED: _____
 APPROVED: _____

NAME OF PROJECT:
2ND GMS -TOURISM INFRASTRUCTURE FOR INCLUSIVE GROWTH
WORKS PACKAGE -TIIGP2-LAO-W04
Subproject V5: Vang Vieng Solid Waste Management Improvements

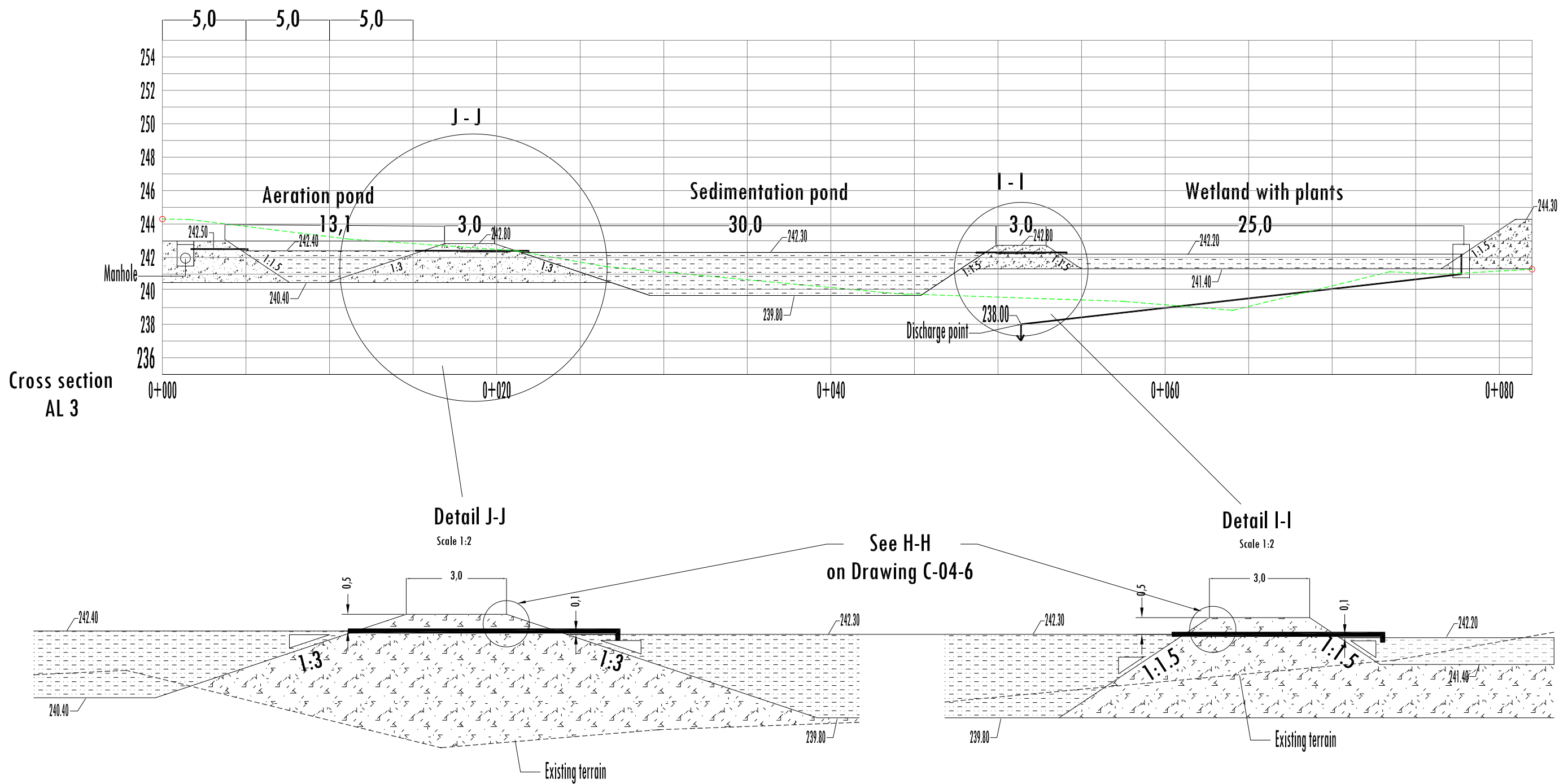
TITLE:
 Layout Leachate and Septage Treatment

DRAWING NO.: RAM-LAO-DED-W04-C-05-2

SHEET NO.: 00 OF 00
 SHEET SIZE: A3
 SCALE: _____
 REV: R01
 DATE: JULY 2020

AL 3 PROFILE

Leachate treatment system principal cross section



LEAD CONSULTANT :



Hannemanns Alle 53
DK-2300 København S
Tlf. +45 5161 1000
Fax +45 5161 1001
www.ramboll.dk

SUB-CONSULTANT:



Waste Concern Consultants
Level- 4, House No.- 120/B, (Masjid Road) Road- 7
New DOHS Mohakhali Dhaka- 1207, Bangladesh
Tlf. + 880-2-48810-841, + 880-2-48810-842
Fax. + 880-2- 9899-486, Email- office@wasteconcern.org
www.wasteconcern.org

CLIENT :



LAO PEOPLE'S DEMOCRATIC REPUBLIC (LAO PDR)
MINISTRY OF INFORMATION, CULTURE AND TOURISM

REV.	DATE	DESCRIPTION	DRN
RO1	20.07.2020	PRELIMINARY ISSUE	

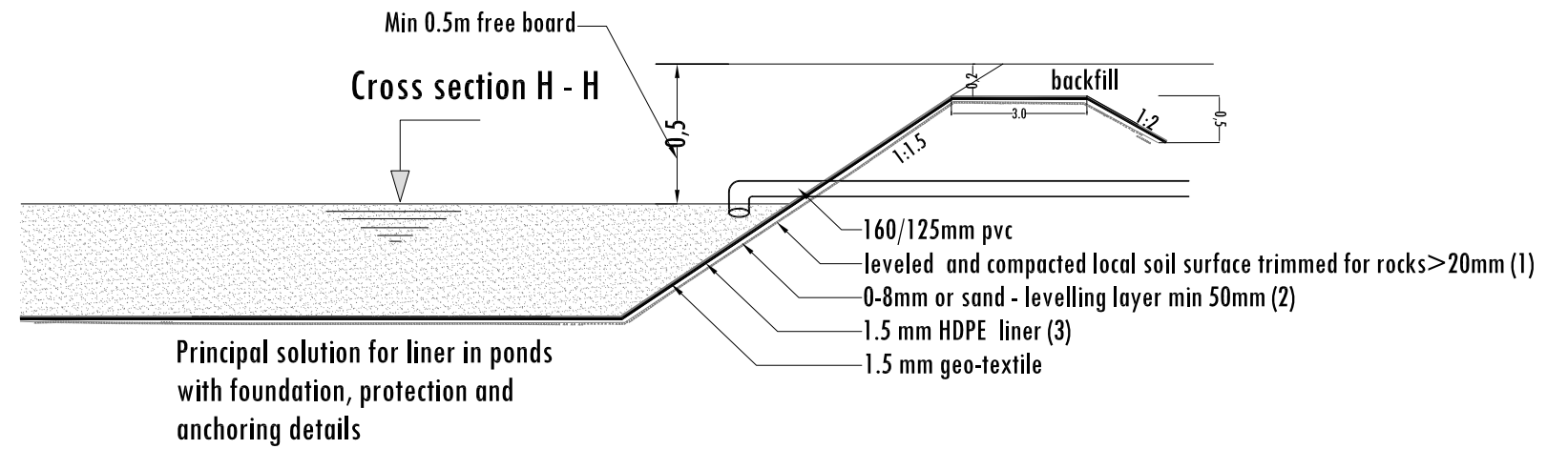
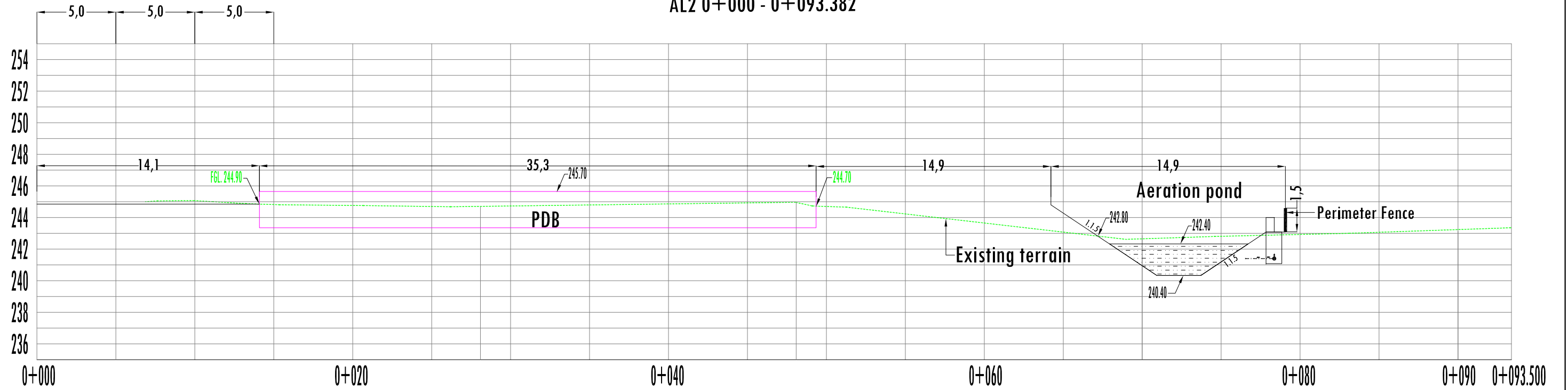
DESIGNED/DRAWN:
CHECKED:
APPROVED:

NAME OF PROJECT:
2ND GMS -TOURISM INFRASTRUCTURE FOR INCLUSIVE GROWTH
WORKS PACKAGE -TIIGP2-LAO-W04
Subproject V5: Vang Vieng Solid Waste Management Improvements
TITLE:
Leachate Treatment - Principal Cross Section: AL 3 Profile
DRAWING NO.: RAM-LAO-DED-W04-C-05-3

SHEET NO.: 00 OF 00
SHEET SIZE: A3
SCALE:
REV: R01
DATE: JULY 2020

AL 2 PROFILE

AL2 0+000 - 0+093.382



LEAD CONSULTANT :

RAMBOLL

Hannemanns Alle 53
DK-2300 København S
Tlf. +45 5161 1000
Fax +45 5161 1001
www.ramboll.dk

SUB-CONSULTANT:



Waste Concern Consultants

Level- 4, House No.- 120/B, (Masjid Road) Road- 7
New DOHS Mohakhali Dhaka- 1207, Bangladesh
Tlf. + 880-2-48810-841, + 880-2-48810-842
Fax. + 880-2- 9899-486, Email- office@wasteconcern.org
www.wasteconcern.org

CLIENT :



LAO PEOPLE'S DEMOCRATIC REPUBLIC (LAO PDR)
MINISTRY OF INFORMATION, CULTURE AND TOURISM

REV.	DATE	DESCRIPTION	DRN
RO1	20.07.2020	PRELIMINARY ISSUE	

DESIGNED/DRAWN:

CHECKED:

APPROVED:

NAME OF PROJECT:
2ND GMS -TOURISM INFRASTRUCTURE FOR INCLUSIVE GROWTH
WORKS PACKAGE -TIIGP2-LAO-W04

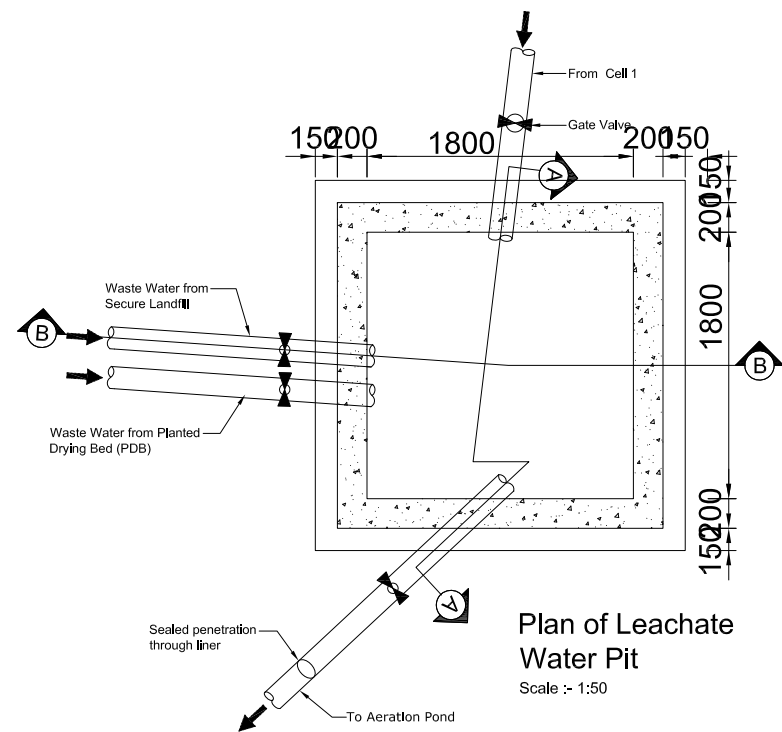
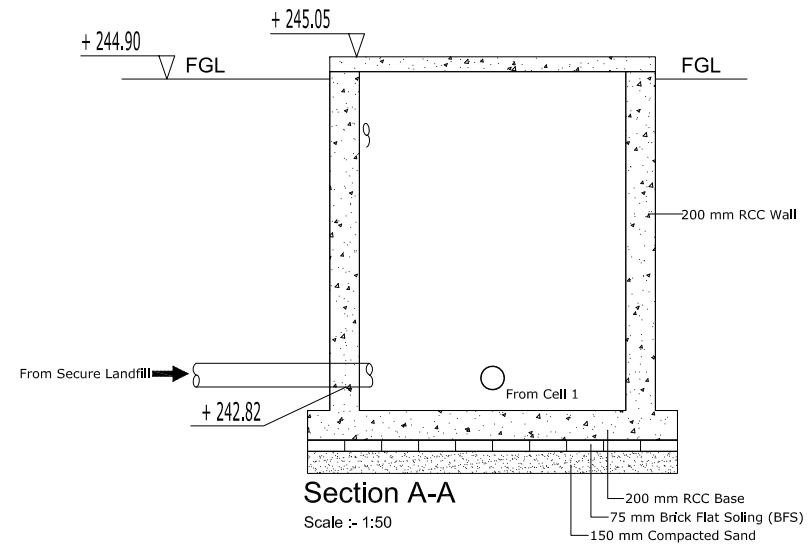
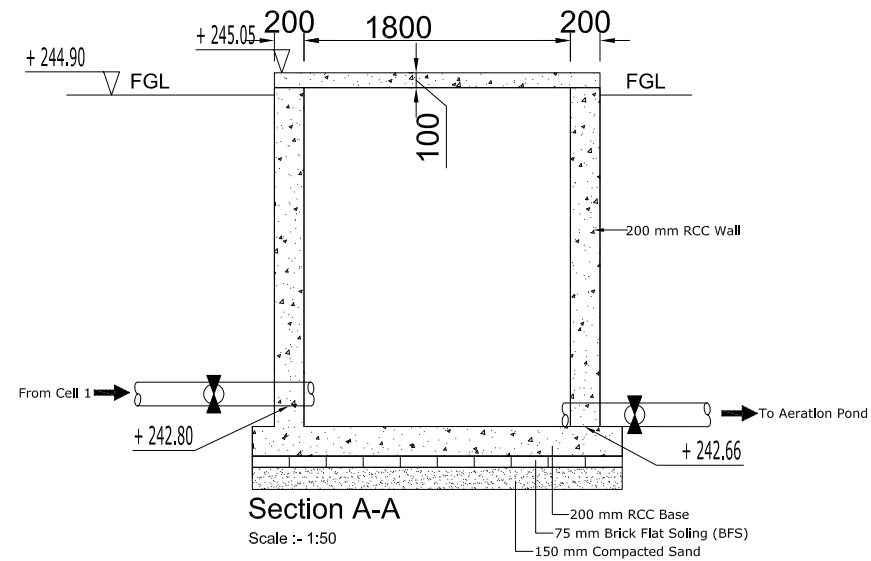
Subproject V5: Vang Vieng Solid Waste Management Improvements

TITLE:
LINER ANCHORING IN ALL PONDS: AL 2 Profile

DRAWING NO.: RAM-LAO-DED-W04-C-05-4

SHEET NO.: 00 OF 00
SCALE:

REV: R01
DATE: JULY 2020



LEAD CONSULTANT :



Hannemanns Alle 53
DK-2300 København S
Tlf. +45 5161 1000
Fax +45 5161 1001
www.ramboll.dk

SUB-CONSULTANT:



Waste Concern Consultants
Level- 4, House No.- 120/B, (Masjid Road) Road- 7
New DOHS Mohakhali Dhaka- 1207, Bangladesh
Tlf. + 880-2-48810-841, + 880-2-48810-842
Fax. + 880-2- 9899-486, Email- office@wasteconcern.org
www.wasteconcern.org

CLIENT :



LAO PEOPLE'S DEMOCRATIC REPUBLIC (LAO PDR)
MINISTRY OF INFORMATION, CULTURE AND TOURISM

REV.	DATE	DESCRIPTION	DRN
RO1	20.07.2020	PRELIMINARY ISSUE	

DESIGNED/DRAWN:	
CHECKED:	
APPROVED:	

NAME OF PROJECT:		2ND GMS –TOURISM INFRASTRUCTURE FOR INCLUSIVE GROWTH	
		WORKS PACKAGE -TIIGP2-LAO-W04	
		Subproject V5: Vang Vieng Solid Waste Management Improvements	
TITLE:		Leachate Water Storage Pit: Plan & Section A-A	
DRAWING NO.:		RAM-LAO-DED-W04-C-05-6	
SHEET NO.:	00 OF 00	SHEET SIZE:	A3
SCALE:		REV:	R01
		DATE:	JULY 2020

LAO PEOPLE'S DEMOCRATIC REPUBLIC (LAO PDR)



MINISTRY OF INFORMATION, CULTURE AND TOURISM

G0599-LAO: 2ND GMS TOURISM INFRASTRUCTURE FOR INCLUSIVE GROWTH PROJECT

**BIDDING DOCUMENT FOR PROCUREMENT OF
WORKS PACKAGE: TIIGP2-LAO-W04 VANG VIENG LANDFILL IMPROVEMENTS**

Subproject V5: Vang Vieng Solid Waste Management Improvements

DETAILED ELECTRICAL WORK DRAWING

JULY, 2020

LEAD CONSULTANT :

RAMBOLL

Hannemanns Alle'53
DK-2300 København S
Tlf. +45 5161 1000
Fax +45 5161 1001
www.ramboll.dk

SUB-CONSULTANT:



Waste Concern Consultants

Level- 4, House No.- 120/B, (Masjid Road) Road- 7
New DOHS Mohakhali Dhaka- 1207, Bangladesh
Tlf. + 880-2-48810-841, + 880-2-48810-842
Fax. + 880-2- 9899-486, Email- office@wasteconcern.org
www.wasteconcern.org

ELECTRICAL DRAWING LIST

SL. NO.	DWG. NO.	COMMERCIAL BUILDING	SCALE	REMARKS
01	E-00	ELECTRICAL DRAWING LIST	NTS	
02	E-01	CONSTRUCTION OF TRANSMISSION LINE 22KV AT MASTER PLAN	NTS	
03	E-02	CONSTRUCTION OF TRANSMISSION LINE 22KV AT MASTER PLAN	NTS	
04	E-03	CONSTRUCTION OF TRANSMISSION LINE 22KV AT MASTER PLAN	NTS	
05	E-04	ELECTRICAL POWER DISTRIBUTION UNDER GROUND LINE FOR SUB-STATION TO BUILDING	NTS	
06	E-05	STANDARD CONSTRUCTION OF 22KV LINE TANGENT POLE (T1)	NTS	
07	E-06	STANDARD CONSTRUCTION OF 22KV LINE ANGLE POLE (A1)	NTS	
08	E-07	STANDARD CONSTRUCTION OF 22KV LINE ANGLE POLE (A2)	NTS	
09	E-08	STANDARD CONSTRUCTION OF TR. INSTALATION HANG ON SINGLE POLE	NTS	
10	E-09	STANDARD CONSTRUCTION OF FOUNDATION POLE 8M AND 12M.	NTS	
11	E-10	STANDARD CONSTRUCTION OF FOUNDATION STREET LIGHT POLE 7M HIGHT	NTS	
12	E-11	STANDARD CONSTRUCTION OF MANHOLE FOR OUNDER GROUND CABLE INSTALATION	NTS	
13	E-12	STANDARD CHANNEL CONSTRUCTION OF OUNDER GROUND CABLE INSTALATION	NTS	
14	E-13	ELECTRICAL FITTINGS & CONDUIT LAYOUT OF MRF BUILDING	NTS	
15	E-14	CIRCUIT DIAGRAM OF MRF BUILDING	NTS	
16	E-15	ELECTRICAL FITTINGS & CONDUIT LAYOUT OF ADMINISTRATION BUILDING	NTS	
17	E-16	CIRCUIT DIAGRAM OF ADMINISTRATION BUILDING	NTS	
18	E-17	ELECTRICAL FITTINGS & CONDUIT LAYOUT OF OFFICE BUILDING	NTS	
19	E-18	CIRCUIT DIAGRAM OF OFFICE BUILDING	NTS	
20	E-19	ELECTRICAL FITTINGS & CONDUIT LAYOUT OF WORKSHOP ROOM	NTS	
21	E-20	CIRCUIT DIAGRAM OF WORKSHOP ROOM	NTS	
22	E-21	ELECTRICAL FITTINGS & CONDUIT LAYOUT OF HAZARDOUS ROOM	NTS	
23	E-22	CIRCUIT DIAGRAM OF HAZARDOUS ROOM	NTS	
24	E-23	ELECTRICAL FITTINGS & CONDUIT LAYOUT OF INCINETOR ROOM WITH CKT.	NTS	
25	E-24	ELECTRICAL FITTINGS & CONDUIT LAYOUT OF SECURITY ROOM	NTS	
26	E-25	CIRCUIT DIAGRAM OF SECURITY ROOM	NTS	
27	E-26	CIRCUIT DIAGRAM OF SECURITY ROOM AND POLE LIGHT	NTS	
28	E-27	SINGLE LINE DIAGRAM OF SUB-STATION (100 KVA)	NTS	
29	E-28	SUB-STATION EQUIPMENT LAYOUT OF (100KVA)	NTS	
30	E-29	EARTHING DETAILS OF SUB-STATION AND GENERATOR	NTS	

LEAD CONSULTANT :



Hannemanns Alle 53
DK-2300 København S
Tlf. +45 5161 1000
Fax +45 5161 1001
www.ramboll.dk

SUB-CONSULTANT:



Waste Concern Consultants
Level- 4, House No.- 120/B, (Masjid Road) Road- 7
New DOHS Mohakhali Dhaka- 1207, Bangladesh
Tlf. + 880-2-48810-841, + 880-2-48810-842
Fax. + 880-2- 9899-486, Email- office@wasteconcern.org
www.wasteconcern.org

CLIENT :



LAO PEOPLE'S DEMOCRATIC REPUBLIC (LAO PDR)
MINISTRY OF INFORMATION, CULTURE AND TOURISM

REV.	DATE	DESCRIPTION	DRN
R01	20.07.2020	PRELIMINARY ISSUE	

DESIGNED/DRAWN:

CHECKED:

APPROVED:

NAME OF PROJECT:

**2ND GMS -TOURISM INFRASTRUCTURE FOR INCLUSIVE GROWTH
WORKS PACKAGE -TIIGP2-LAO-W04
Subproject V5: Vang Vieng Solid Waste Management Improvements**

TITLE:
ELECTRICAL DRAWING LIST (INDEX)

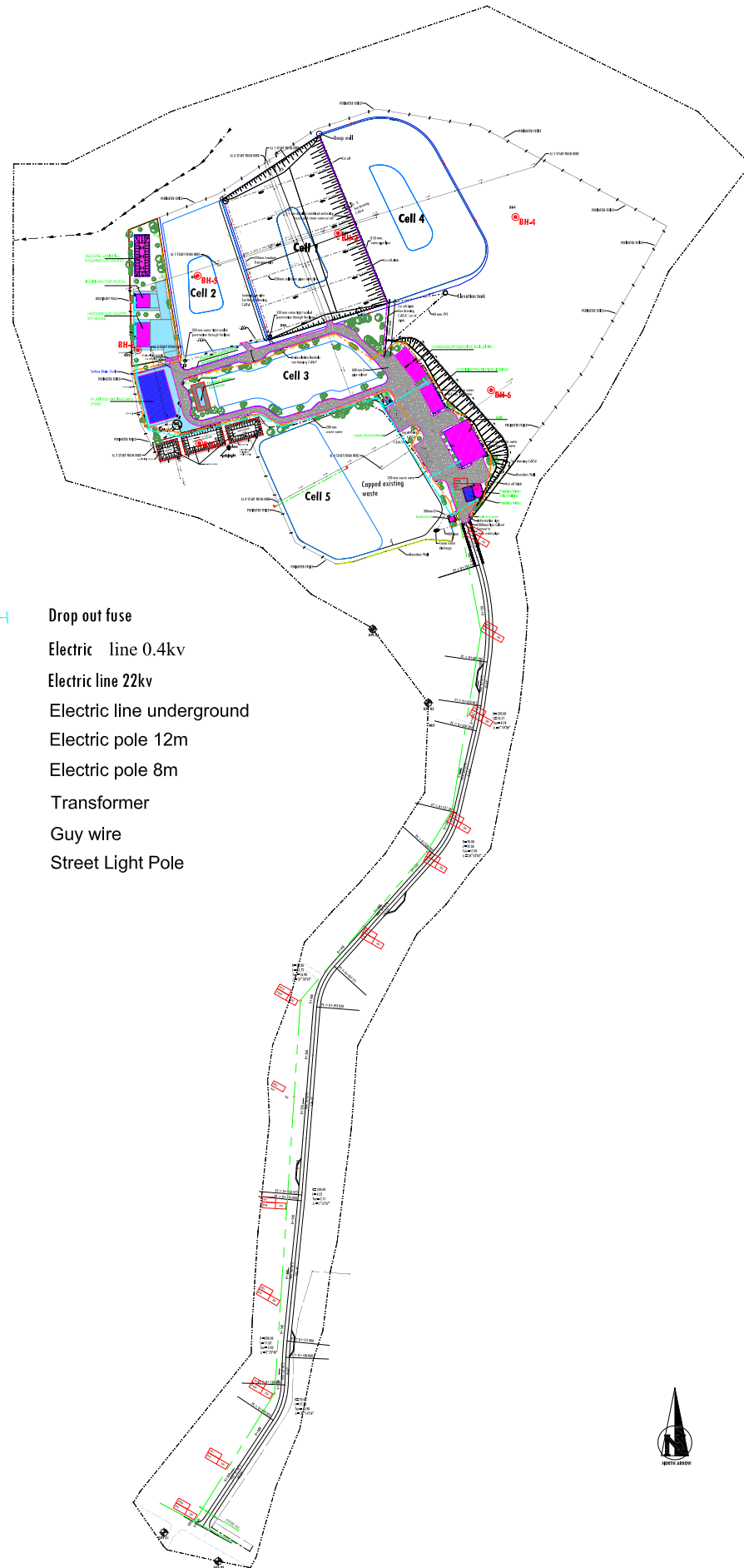
DRAWING NO.: RAM-LAO-DED-W04-E-0-0

SHEET NO.:
00 OF 00










SHEET SIZE:
A3

SCALE:

REV: R01 DATE: JULY 2020



LEGEND:

-  Drop out fuse
-  Electric line 0.4kv
-  Electric line 22kv
-  Electric line underground
-  Electric pole 12m
-  Electric pole 8m
-  Transformer
-  Guy wire
-  Street Light Pole

LEAD CONSULTANT :

 Hannemanns Alle 53
 DK-2300 København S
 Tlf. +45 5161 1000
 Fax +45 5161 1001
 www.ramboll.dk

SUB-CONSULTANT:

Waste Concern Consultants
 Level- 4, House No.- 120/B, (Masjid Road) Road- 7
 New DOHS Mohakhali Dhaka- 1207, Bangladesh
 Tlf. + 880-2-48810-841, + 880-2-48810-842
 Fax. + 880-2- 9899-486, Email- office@wasteconcern.org
 www.wasteconcern.org

CLIENT :

LAO PEOPLE'S DEMOCRATIC REPUBLIC (LAO PDR)
MINISTRY OF INFORMATION, CULTURE AND TOURISM

REV.	DATE	DESCRIPTION	DRN
R01	20.07.2020	PRELIMINARY ISSUE	

DESIGNED/DRAWN: /
 CHECKED: /
 APPROVED: /










NAME OF PROJECT:
2ND GMS –TOURISM INFRASTRUCTURE FOR INCLUSIVE GROWTH
WORKS PACKAGE -TIIGP2-LAO-W04
Subproject V5: Vang Vieng Solid Waste Management Improvements

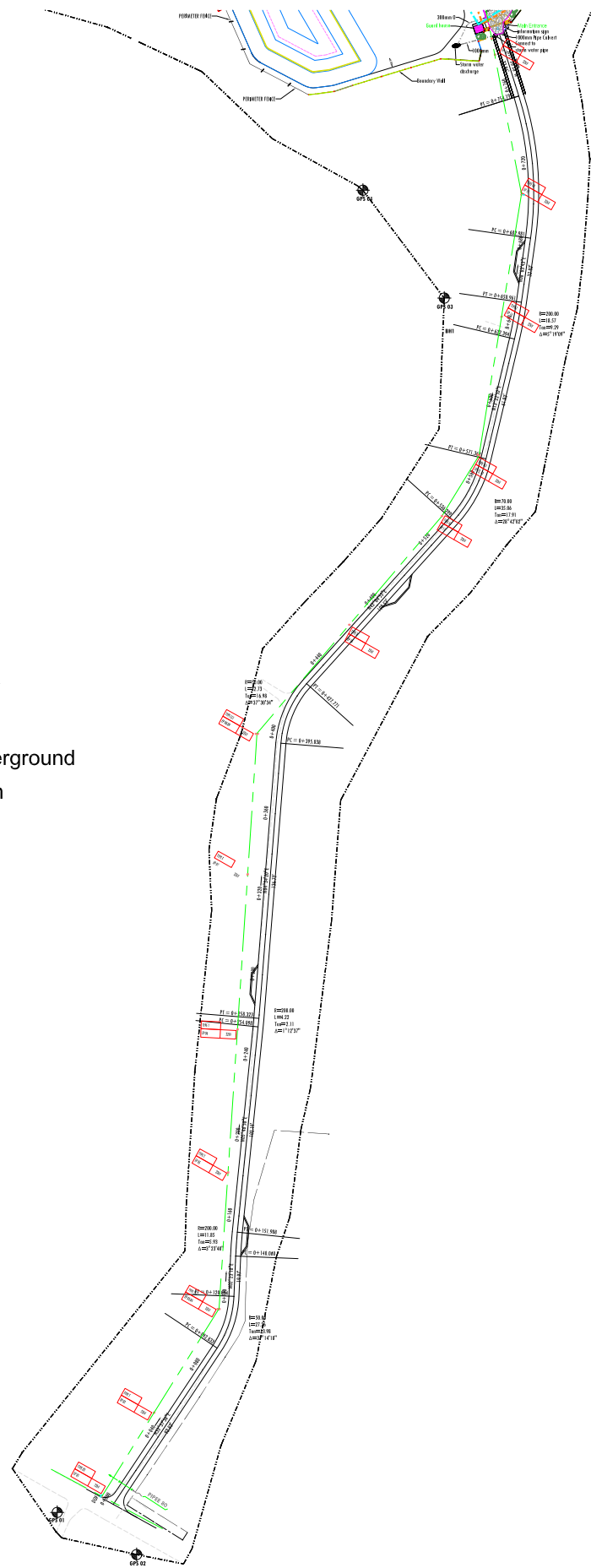
TITLE:
CONSTRUCTION OF TRANSMITION LINE 22KV AT MASTER PLAN

DRAWING NO.: RAM-LAO-DED-W04-E-01

SHEET NO.: 00 OF 00
 SHEET SIZE: A3
 SCALE:
 REV: R01 DATE: JULY 2020

LEGEND:

-  Drop out fuse
-  Electric line 0.4kv
-  Electric line 22kv
-  Electric line underground
-  Electric pole 12m
-  Electric pole 8m
-  Transformer
-  Guy wire
-  Street Light Pole



LEAD CONSULTANT :



Hannemanns Alle 53
DK-2300 København S
Tlf. +45 5161 1000
Fax +45 5161 1001
www.ramboll.dk

SUB-CONSULTANT:



Waste Concern Consultants
Level- 4, House No.- 120/B, (Masjid Road) Road- 7
New DOHS Mohakhali Dhaka- 1207, Bangladesh
Tlf. + 880-2-48810-841, + 880-2-48810-842
Fax. + 880-2- 9899-486, Email- office@wasteconcern.org
www.wasteconcern.org

CLIENT :












LAO PEOPLE'S DEMOCRATIC REPUBLIC (LAO PDR)
MINISTRY OF INFORMATION, CULTURE AND TOURISM

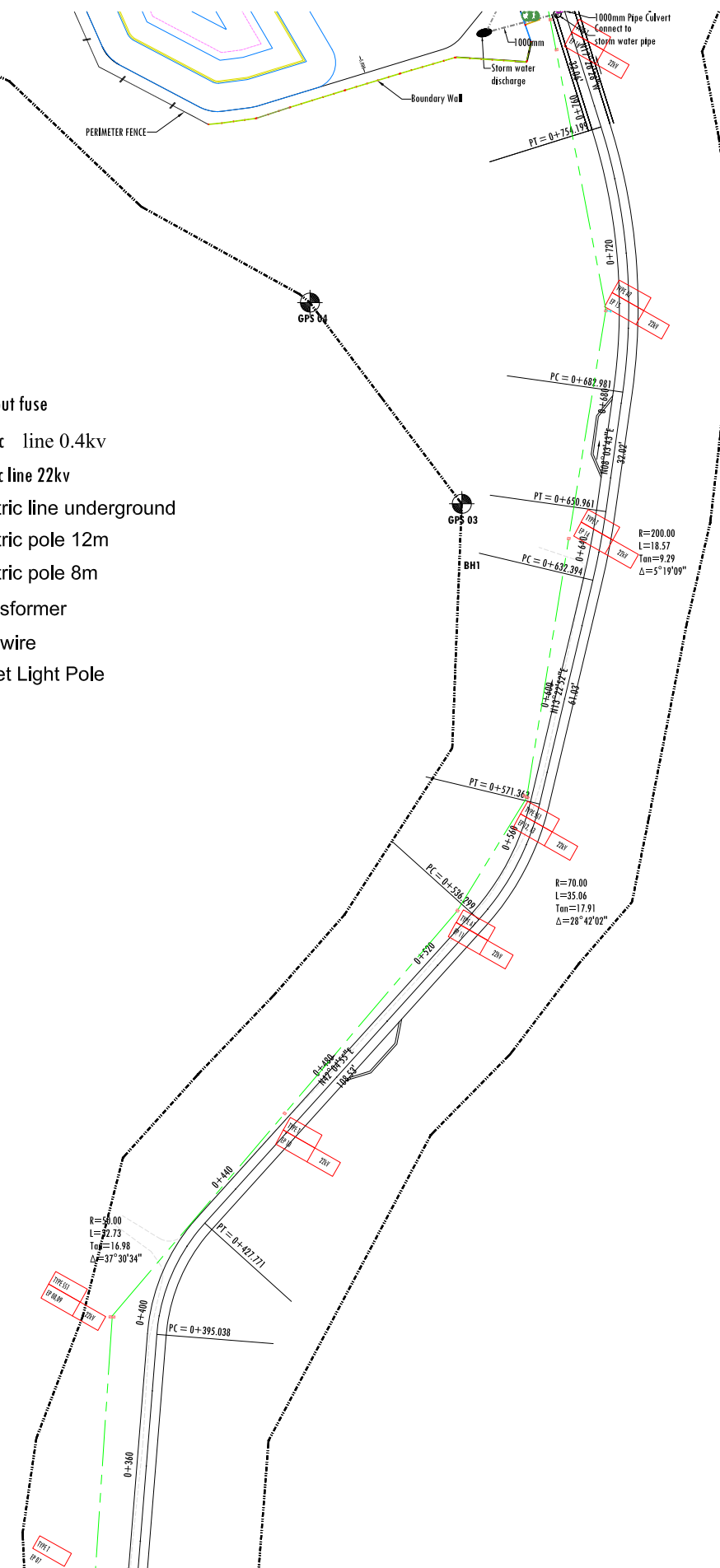
REV.	DATE	DESCRIPTION	DRN
R01	20.07.2020	PRELIMINARY ISSUE	

DESIGNED/DRAWN:	
CHECKED:	
APPROVED:	

NAME OF PROJECT: 2ND GMS –TOURISM INFRASTRUCTURE FOR INCLUSIVE GROWTH WORKS PACKAGE -TIIGP2-LAO-W04		SHEET NO.:	SHEET SIZE:
Subproject V5: Vang Vieng Solid Waste Management Improvements		00 OF 00	A3
TITLE: CONSTRUCTION OF TRANSMISSION LINE 22KV AT MASTER PLAN		SCALE:	
DRAWING NO.:	RAM-LAO-DED-W04-E-02	REV:	DATE:
		R01	JULY 2020

LEGEND:

-  Drop out fuse
-  Electric line 0.4kv
-  Electric line 22kv
-  Electric line underground
-  Electric pole 12m
-  Electric pole 8m
-  Transformer
-  Guy wire
-  Street Light Pole




LEAD CONSULTANT :

 Hannemanns Alle 53
 DK-2300 København S
 Tlf. +45 5161 1000
 Fax +45 5161 1001
 www.ramboll.dk

SUB-CONSULTANT:










Waste Concern Consultants
 Level- 4, House No.- 120/B, (Masjid Road) Road- 7
 New DOHS Mohakhali Dhaka- 1207, Bangladesh
 Tlf. + 880-2-48810-841, + 880-2-48810-842
 Fax. + 880-2- 9899-486, Email- office@wasteconcern.org
 www.wasteconcern.org

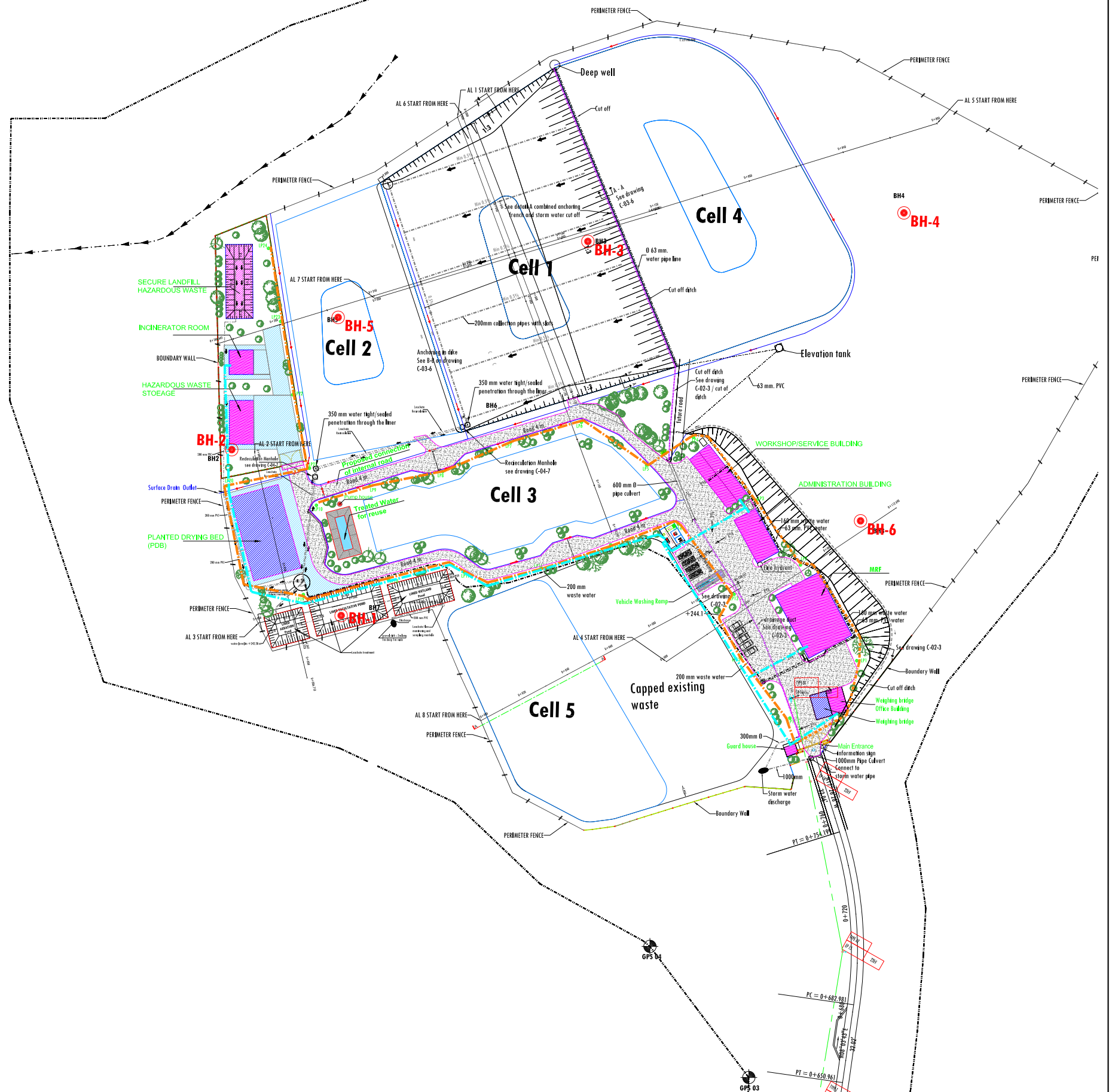
CLIENT :

LAO PEOPLE'S DEMOCRATIC REPUBLIC (LAO PDR)
MINISTRY OF INFORMATION, CULTURE AND TOURISM

REV.	DATE	DESCRIPTION	DRN
R01	20.07.2020	PRELIMINARY ISSUE	

DESIGNED/DRAWN:	NAME OF PROJECT: 2ND GMS –TOURISM INFRASTRUCTURE FOR INCLUSIVE GROWTH WORKS PACKAGE -TIIGP2-LAO-W04	
CHECKED:	Subproject V5: Vang Vieng Solid Waste Management Improvements	
APPROVED:	TITLE: CONSTRUCTION OF TRANSMISSION LINE 22KV AT MASTER PLAN	SHEET NO.: 00 OF 00
	DRAWING NO.: RAM-LAO-DED-W04-E-03	SHEET SIZE: A3
	REV: R01	DATE: JULY 2020

LEGEND:

-  Drop out fuse
-  Electric line 0.4kv
-  Electric line 22kv
-  Electric line underground
-  Electric pole 12m
-  Electric pole 8m
-  Transformer
-  Guy wire
-  Street Light Pole



LEAD CONSULTANT :

 Hannemanns Alle 53
 DK-2300 København S
 Tlf. +45 5161 1000
 Fax +45 5161 1001
 www.ramboll.dk

SUB-CONSULTANT:

Waste Concern Consultants
 Level- 4, House No.- 120/B, (Masjid Road) Road- 7
 New DOHS Mohakhali Dhaka- 1207, Bangladesh
 Tlf. + 880-2-48810-841, + 880-2-48810-842
 Fax. + 880-2- 9899-486, Email- office@wasteconcern.org
 www.wasteconcern.org

CLIENT :

LAOS
 LAO PEOPLE'S DEMOCRATIC REPUBLIC (LAO PDR)
 MINISTRY OF INFORMATION, CULTURE AND TOURISM

REV.	DATE	DESCRIPTION	DRN
R01	20.07.2020	PRELIMINARY ISSUE	

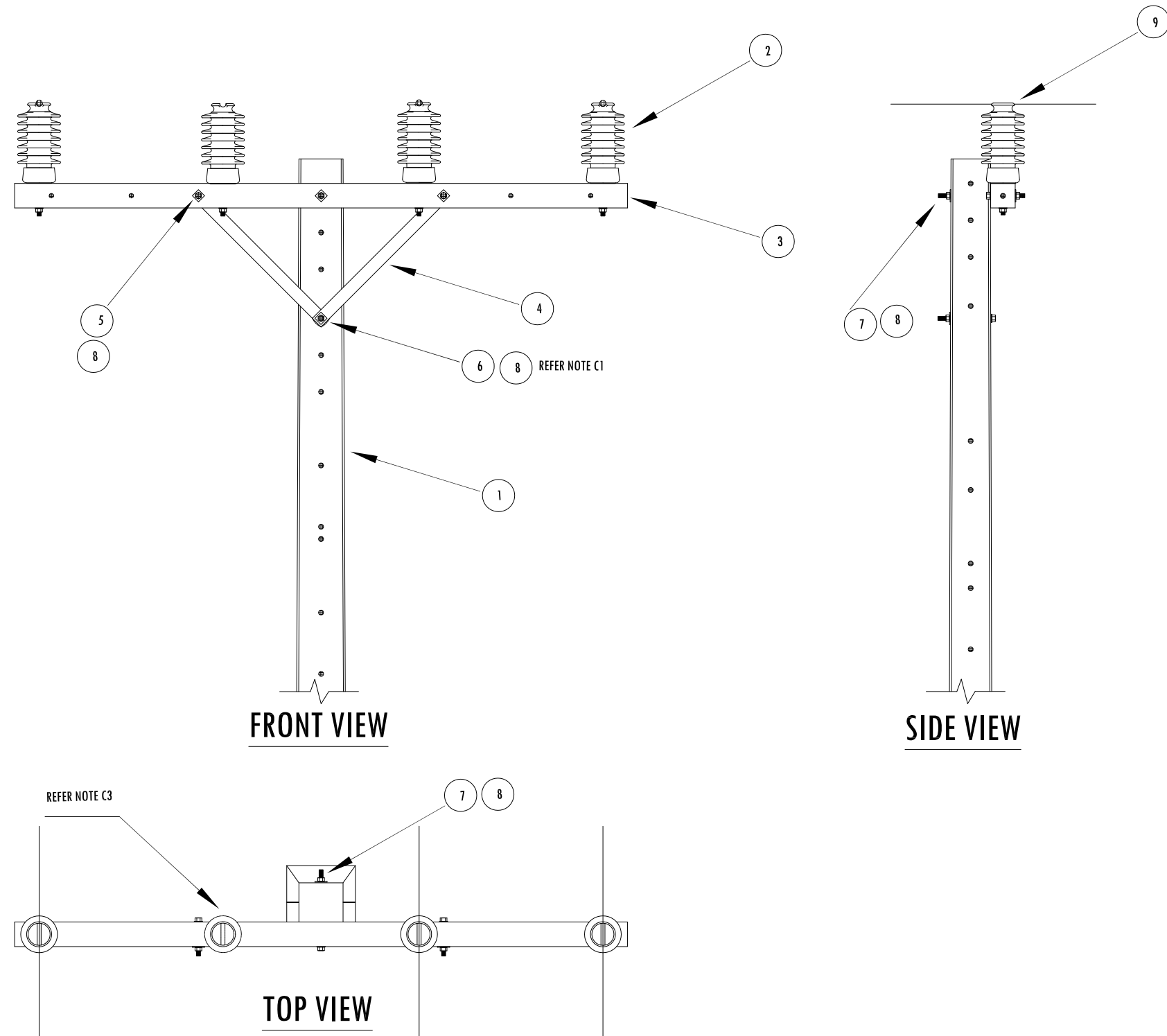
DESIGNED/DRAWN:
 CHECKED:
 APPROVED:

NAME OF PROJECT:
2ND GMS -TOURISM INFRASTRUCTURE FOR INCLUSIVE GROWTH
WORKS PACKAGE -TIIGP2-LAO-W04
Subproject V5: Vang Vieng Solid Waste Management Improvements

TITLE:
ELECTRICAL POWER DISTRIBUTION UNDER GROUND
LINE FOR SUB-STATION TO BUILDING

DRAWING NO.: RAM-LAO-DED-W04-E-04

SHEET NO.: 00 OF 00
 SHEET SIZE: A3
 SCALE:
 REV: R01 DATE: JULY 2020



DESIGN NOTE:

- D1. STRUCTURE USED FOR STRAIGHT LINE AND SMALL ANGLE POSITION
- D2. ALLOWABLE SPAN AND ANGLE DEPENDENT UPON CONDUCTOR AND TENSION.
- D3. CONCRETE POLE TYPICAL ONLY

CONSTRUCTION NOTE:

- C1. FLAT WASHER MUST BE USED ON ALL BOLT HEADS AND NUTS WHERE THESE BEAR ON CONCRETE SURFACE.
- C2. REFER SEPARATE DRAWING FOR POLE FOUNDATION.
- C3. CENTER INSULATOR SHALL BE IN ALTERNATE POSITION ON ADJUSTMENT POLE TO INCREASE CONDUCTOR SPACING IN SPAN.

BILL OF MATERIAL

ITEM	DESCRIPTION	QUANTITY
1	PRESSSTRESS CONCRETE POLE SIZE TO SUIT	8
2	22KV LINE POST INSULATOR COMPLETE WITH PIN	24
3	PRESSSTRESSCONCRETE CROSSARM 2500X100X100 MM	8
4	CROSSARM BRACE 750X40X6 MM	16
5	GAL V. HEXAGON BOLT M16X140 MM WITH NUT	16
6	GAL V. HEXAGON BOLT M16X200 MM WITH NUT	8
7	GAL V. HEXAGON BOLT M16X325 MM WITH NUT	8
8	GAL V. FLAT WASHER SQUARE 50X50X5 MM	80
9	BINDER WIRE (TO SUIT CONDUCTOR)	AS REQUIRED
10		
11		
12		

LEAD CONSULTANT :
 Hannemanns Alle'53
 DK-2300 København S
 Tlf. +45 5161 1000
 Fax +45 5161 1001
 www.ramboll.dk

SUB-CONSULTANT:
Waste Concern Consultants
 Level- 4, House No.- 120/B, (Masjid Road) Road- 7
 New DOHS Mohakhali Dhaka- 1207, Bangladesh
 Tlf. + 880-2-48810-841, + 880-2-48810-842
 Fax. + 880-2- 9899-486, Email- office@wasteconcern.org
 www.wasteconcern.org

CLIENT :
LAOS
 LAO PEOPLE'S DEMOCRATIC REPUBLIC (LAO PDR)
 MINISTRY OF INFORMATION, CULTURE AND TOURISM

DESIGNED/DRAWN:	
CHECKED:	
APPROVED:	
REV.	DATE
R01	20.07.2020
	PRELIMINARY ISSUE
	DESCRIPTION
	DRN

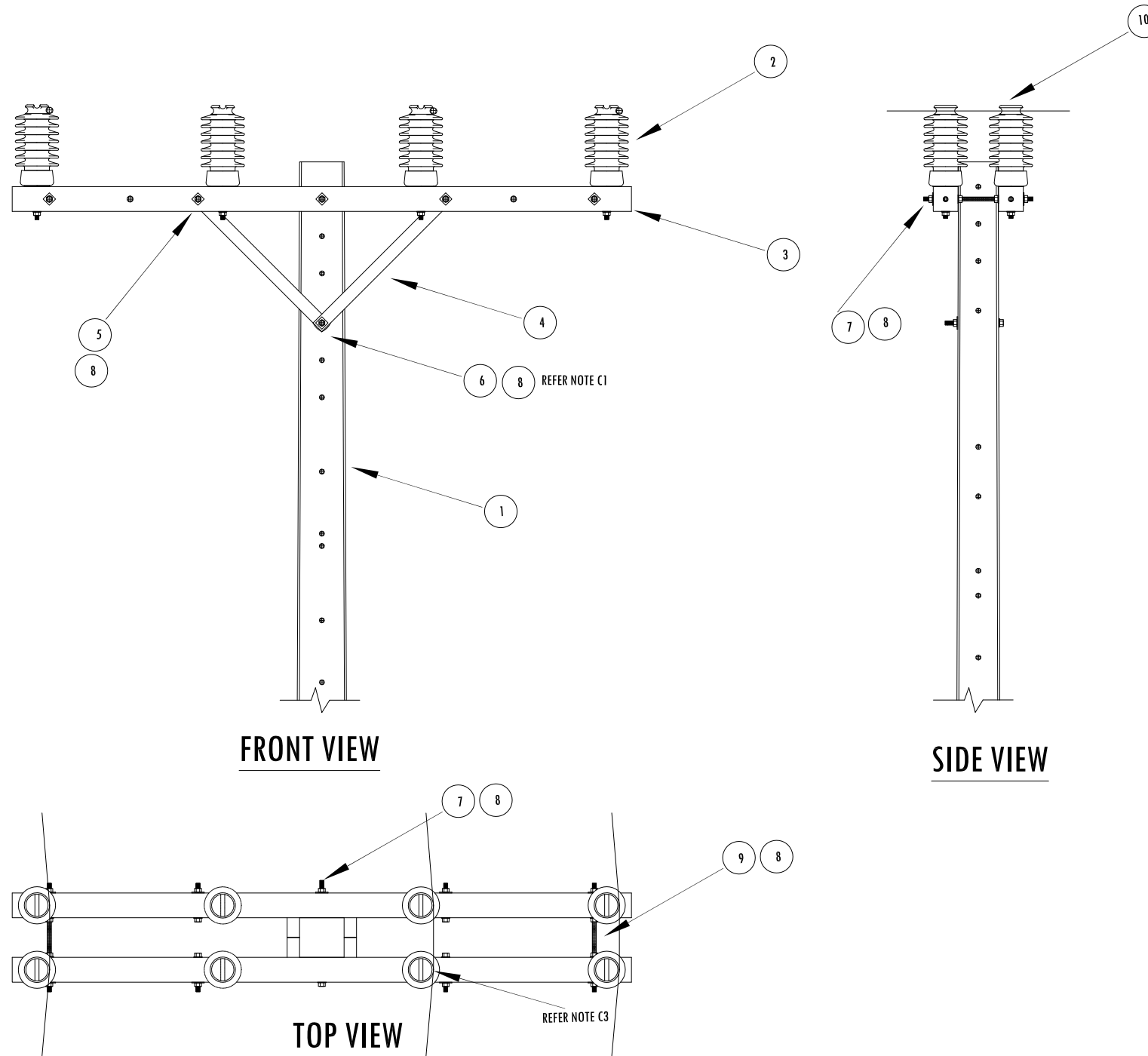
NAME OF PROJECT:
2ND GMS –TOURISM INFRASTRUCTURE FOR INCLUSIVE GROWTH
WORKS PACKAGE -TIIGP2-LAO-W04
Subproject V5: Vang Vieng Solid Waste Management Improvements

TITLE:
 STANDARD CONSTRUCTION OF 22KV LINE TANGENT POLE (T)

DRAWING NO.: RAM-LAO-DED-W04-E-05

SHEET NO.: 00 OF 00
 SHEET SIZE: A3
 SCALE:

REV: R01 DATE: JULY 2020



DESIGN NOTE:

- D1. STRUCTURE USED FOR STRAIGHT LINE AND MEDIUM ANGLE POSITIONS.
- D2. ALLOWABLE SPAN AND ANGLE DEPENDENT UPON CONDUCTOR AND TENSION.
- D3. CONCRETE POLE TYPICAL ONLY.

CONSTRUCTION NOTE:

- C1. FLAT WASHER MUST BE USED ON ALL BOLT HEADS AND NUTS WHERE THESE BEAR ON CONCRETE SURFACE.
- C2. REFER SEPARATE DRAWING FOR POLE FOUNDATION.
- C3. LOCATION CENTER INSULATOR ON 'OUTSIDE' OF ANGLE TO MAXIMISE CLEARANCE TO POLE .
- C4. ATTACH CONDUCTORS ON SIDE GROOVE OF INSULATORS.
- C5. LOCATE GUY ATTACHMENT AT HIGHEST AVAILABLE HOLE, MAXIMUM 250mm BELOW CROSSARM.

BILL OF MATERIAL

ITEM	DESCRIPTION	QUANTITY
1	PRESSSTRESS CONCRETE POLE SIZE TO SUIT	8
2	22KV LINE POST INSULATOR COMPLETE WITH PIN	24
3	PRESSSTRESS CONCRETE CROSSARM 2500X100X100 MM	8
4	CROSSARM BRACE 750X40X6 MM	16
5	GAL V. HEXAGON BOLT M16X140 MM WITH NUT	16
6	GAL V. HEXAGON BOLT M16X200 MM WITH NUT	8
7	GAL V. HEXAGON BOLT M16X325 MM WITH NUT	8
8	GAL V. FLAT WASHER SQUARE 50X50X5 MM	80
9	GAL V. DOUBLE ARMING BOLT M16X450 MM	AS REQUIRED
10	BINDER WIRE (TO SUIT CONDUCTOR)	AS REQUIRED
11		
12		
1		

LEAD CONSULTANT :



Hannemanns Alle 53
DK-2300 København S
Tlf. +45 5161 1000
Fax +45 5161 1001
www.ramboll.dk

SUB-CONSULTANT:



Waste Concern Consultants
Level- 4, House No.- 120/B, (Masjid Road) Road- 7
New DOHS Mohakhali Dhaka- 1207, Bangladesh
Tlf. + 880-2-48810-841, + 880-2-48810-842
Fax. + 880-2- 9899-486, Email- office@wasteconcern.org
www.wasteconcern.org

CLIENT :

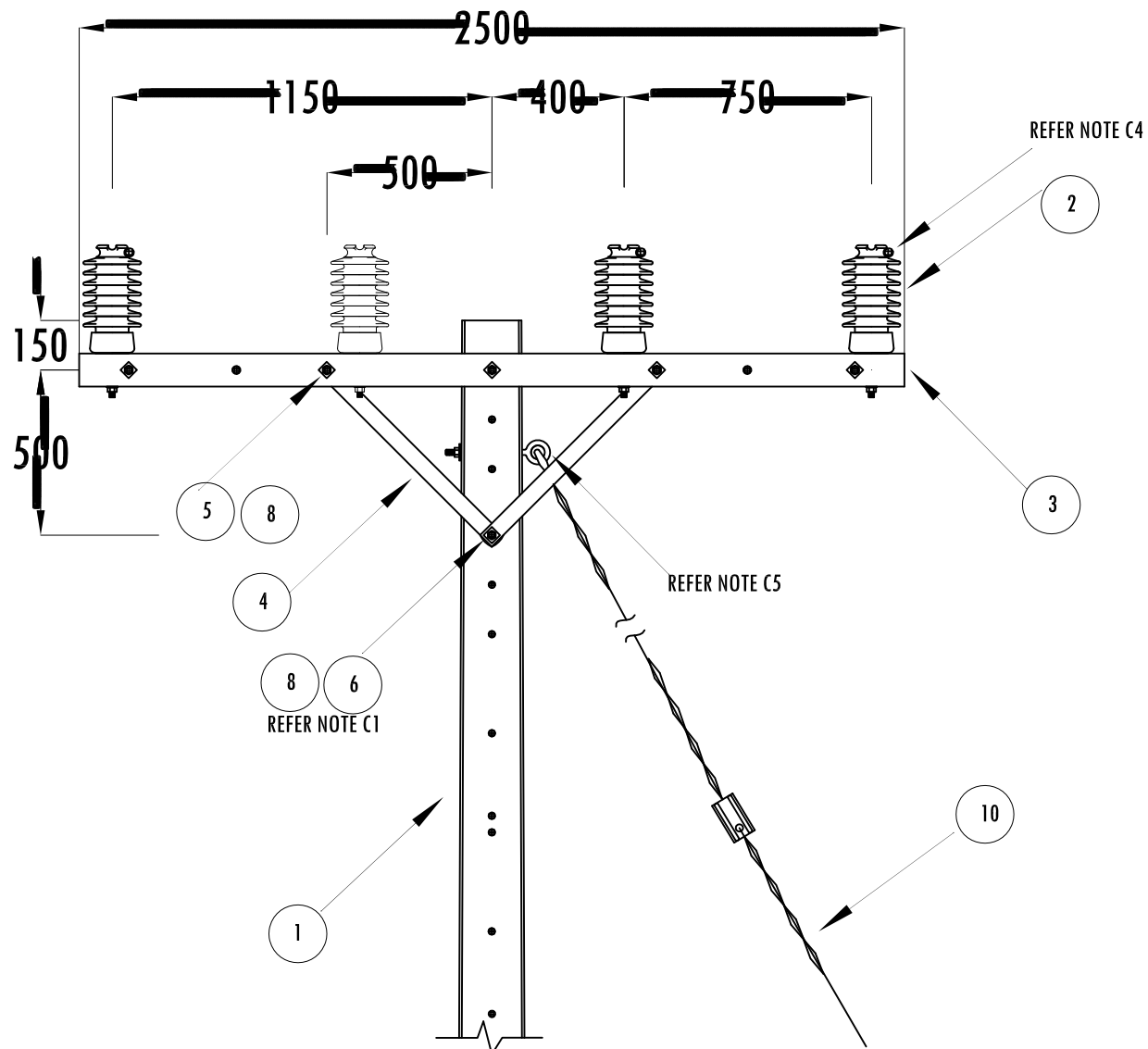


LAO PEOPLE'S DEMOCRATIC REPUBLIC (LAO PDR)
MINISTRY OF INFORMATION, CULTURE AND TOURISM

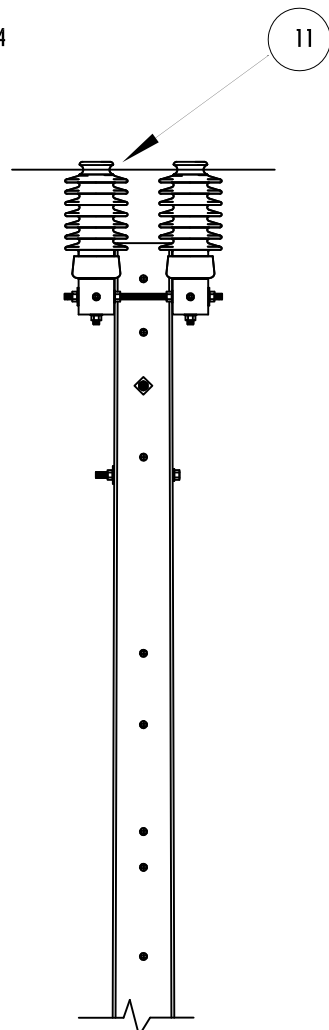
REV.	DATE	DESCRIPTION	DRN
RO1	20.07.2020	PRELIMINARY ISSUE	

DESIGNED/DRAWN:	NAME OF PROJECT:
CHECKED:	2ND GMS -TOURISM INFRASTRUCTURE FOR INCLUSIVE GROWTH
APPROVED:	WORKS PACKAGE -TIIGP2-LAO-W04
	Subproject V5: Vang Vieng Solid Waste Management Improvements
	TITLE: STANDARD CONSTRUCTION OF 22KV LINE ANGLE POLE (A1)
	DRAWING NO.: RAM-LAO-DED-W04-E-06

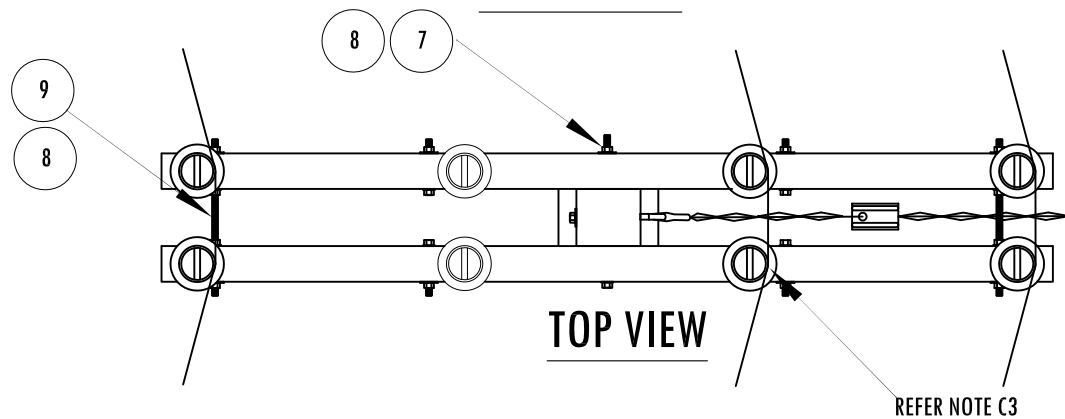
SHEET NO.:	00	OF	00	SHEET SIZE:	A3
SCALE:					
REV:	R01	DATE:	JULY 2020		



FRONT VIEW



SIDE VIEW



TOP VIEW

DESIGN NOTES:

- D1. STRUCTURE USED FOR ANGLE POSITIONS UP TO APPROXIMATELY 40°.
- D2. ALLOWABLE SPAN AND ANGLE DEPENDENT UPON CONDUCTOR AND TENSION.
- D3. CONCRETE POLE TYPICAL ONLY.

CONSTRUCTION NOTES:

- C1. FLAT WASHER MUST BE USED ALL ON BOLT HEAD AND NUTS WHERE THIS BEAR ON CONCRETE SURFACE.
- C2. REFER SEPARATE DRAWING FOR POLE FOUNDATION.
- C3. LOCATE CENTER INSULATOR 'ON OUTSIDE' OF ANGLE TO MAXIMISE CLEARANCE TO POLE.
- C4. ATTACH CONDUCTORS ON SIDE GROOVE OF INSULATORS.
- C5. LOATE GUY ATTACHMENT AT HIGHEST AVAILABLE HOLE, MAXIMUM 250mm BELOW CROSSARM.

BILL OF MATERIAL

ITEM	DESCRIPTION	QUANTITY
1	PRESSRESSED CONCRETE POLE 12m	2
2	22 KV LINE POST INSULATOR COMPLETE WITH PIN	2
3	PRESSTRESSED CONCRETE CROSSARM 2500X10X10 mm	4
4	CROSSARM BRACE 750X40X6 mm	4
5	GAL V. HEXAGON BOLT M16X140 mm WITH NUT	1
6	GAL V. HEXAGON BOLT M16X200 mm WITH NUT	1
7	GAL V. HEXAGON BOLT M16X450 WITH NUT	2
8	GAL V. FLAT WASHER SQUARE 50X50X5 mm	5
9	GAL V. DOUBLE ARMING BOLT M16X450 mm	22
10	MV STAY ASSEMBLY	6
11	BINDER WIRE ((TO SUIT CONDUCTOR))	6

LEAD CONSULTANT :



Hannemanns Alle 53
DK-2300 København S
Tlf. +45 5161 1000
Fax +45 5161 1001
www.ramboll.dk

SUB-CONSULTANT:



Waste Concern Consultants
Level- 4, House No.- 120/B, (Masjid Road) Road-7
New DOHS Mohakhali Dhaka- 1207, Bangladesh
Tlf. + 880-2-48810-841, + 880-2-48810-842
Fax. + 880-2- 9899-486, Email- office@wasteconcern.org
www.wasteconcern.org

CLIENT :

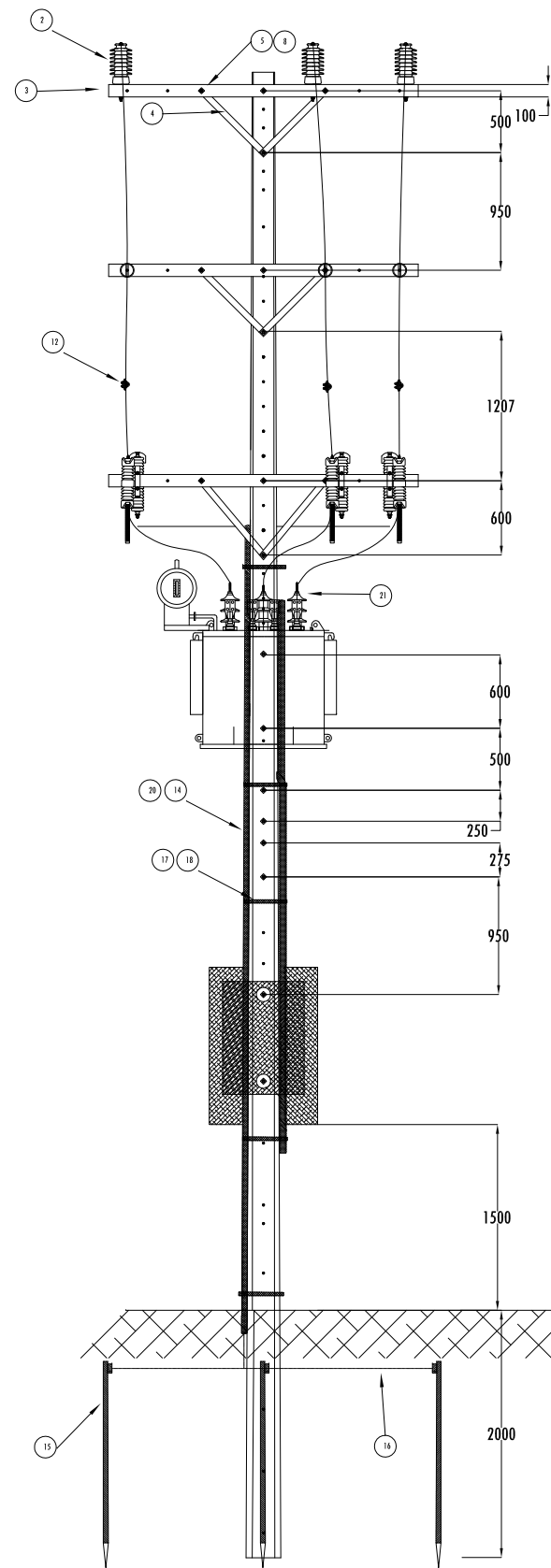


LAO PEOPLE'S DEMOCRATIC REPUBLIC (LAO PDR)
MINISTRY OF INFORMATION, CULTURE AND TOURISM

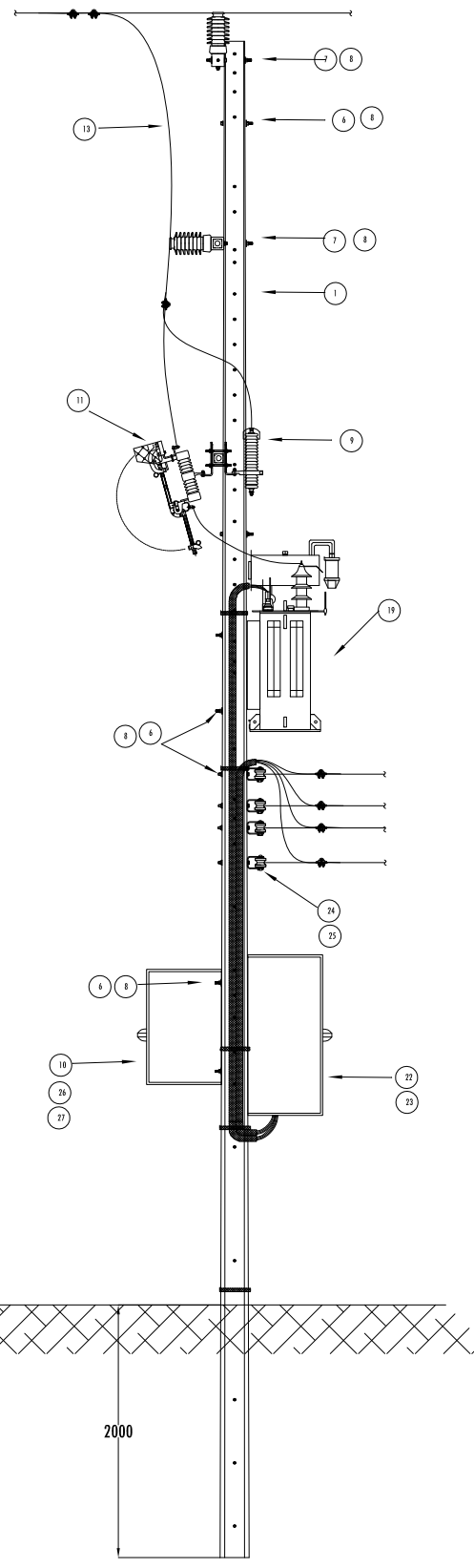
REV.	DATE	DESCRIPTION	DRN
R01	20.07.2020	PRELIMINARY ISSUE	

DESIGNED/DRAWN:	---
CHECKED:	---
APPROVED:	---

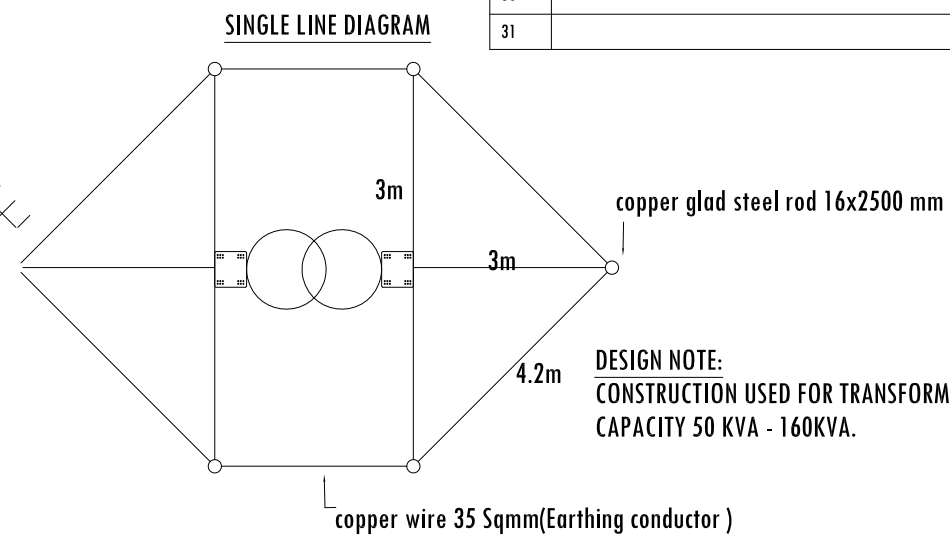
NAME OF PROJECT:		2ND GMS -TOURISM INFRASTRUCTURE FOR INCLUSIVE GROWTH	
		WORKS PACKAGE -TIIGP2-LAO-W04	
		Subproject V5: Vang Vieng Solid Waste Management Improvements	
TITLE:	STANDARD CONSTRUCTION OF 22KV LINE ANGLE POLE (A2)	SHEET NO.:	00 OF 00
		SHEET SIZE:	A3
DRAWING NO.:	RAM-LAO-DED-W04-E-07	REV:	R01
		DATE:	JULY 2020



FRONT VIEW



SIDE VIEW



SINGLE LINE DIAGRAM

BILL OF MATERIAL

ITEM	DESCRIPTION	QUANTITY
1	PRESSED CONCRETE POLE 12m	2
2	22KV LINE POST INSULATOR COMPLETE WITH PIN	2
3	CONCRETE CROSSARM 100X100X250mm	4
4	ROSSAR BRACE 750X40X6 mm	4
5	GAL V. BOLT M16X140 mm WITH NUT	1
6	GAL V. BOLT M16X250mm WITH NUT	1
7	GAL V. BOLT M16X325mm WITH NUT	2
8	GAL V. FLAWHASHER SQUAR 50X50XS	5
9	LIGHTNING ARRESTER 22KV	22
10	KWH METER 3PHASE (TO SUIT)	6
11	(DROPOUT FUSE 22KV) SINGLE POLE INSULATOR 22KV	6
12	PARALLEL GROOVE CONECTOR (SIZE TO SUIT)	6
13	CONDUCTOR ACSR(TO SUIT SIZE)	1
14	PIPE POLYETHYLENE (TO SUIT SIZE)	3
15	COPPER BONDED EARTH ROD WITH CONNECTOR	6
16	BARE CU 1X35sqmm	AS REQD
17	STAINLESS STEEL BAND	1
18	STAINLESS STEEL BUCKLE	2
19	TRANSFORMER (TO SUIT CAPACITY)	1
20	COPPER CONDUCTOR CABLE (WITH TO SUIT)	
21	TERMINAL LUGS AL , CU(TO SUIT)	
22	LOW VOLTAGE CONTROL CABINET SET(TO SUIT)	
23	CIRCUIT BREAKER (TO SUIT)	
24	LOW VOLTAGE SHACKLE INSULATOR	
25	LOW VOLTAGE U SHACKLE	
26	METER BOX CABINET SET (FOR CT AND METER)	
27	LOW VOLTAGE CURRENT TRANSFORMER	
28		
29		
30		
31		

LEAD CONSULTANT :



Hannemanns Alle 53
DK-2300 København S
Tlf. +45 5161 1000
Fax +45 5161 1001
www.ramboll.dk

SUB-CONSULTANT:



Waste Concern Consultants
Level- 4, House No.- 120/B, (Masjid Road) Road- 7
New DOHS Mohakhali Dhaka- 1207, Bangladesh
Tlf. + 880-2-48810-841, + 880-2-48810-842
Fax. + 880-2- 9899-486, Email- office@wasteconcern.org
www.wasteconcern.org

CLIENT :



LAO PEOPLE'S DEMOCRATIC REPUBLIC (LAO PDR)
MINISTRY OF INFORMATION, CULTURE AND TOURISM

REV.	DATE	DESCRIPTION	DRN
R01	20.07.2020	PRELIMINARY ISSUE	

DESIGNED/DRAWN:

CHECKED:

APPROVED:

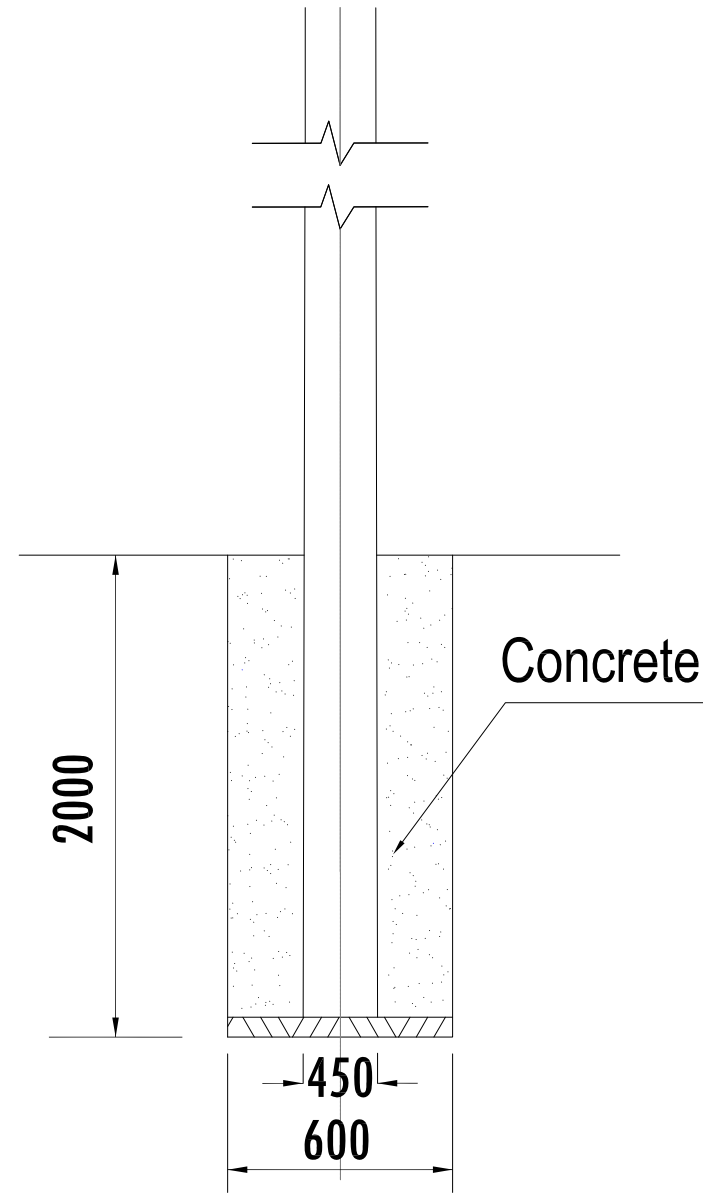
NAME OF PROJECT:
**2ND GMS -TOURISM INFRASTRUCTURE FOR INCLUSIVE GROWTH
WORKS PACKAGE -TIIGP2-LAO-W04**
Subproject V5: Vang Vieng Solid Waste Management Improvements

TITLE:
STANDARD CONSTRUCTION OF TR.
INSTALLATION HANG ON SINGLE POLE

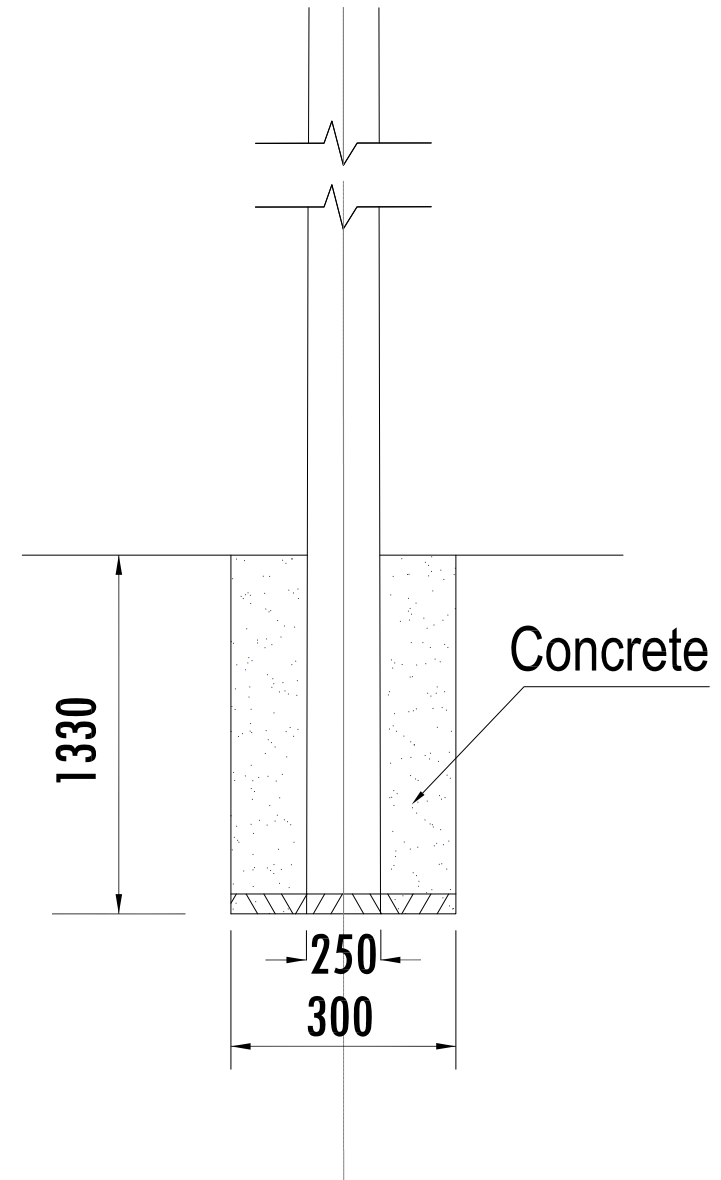
DRAWING NO.: RAM-LAO-DED-W04-E-08

SHEET NO.: 00 OF 00
SHEET SIZE: A3
SCALE:

REV: R01
DATE: JULY 2020



FOUNDATION POLE 12m



FOUNDATION POLE 8m

LEAD CONSULTANT :



Hannemanns Alle 53
DK-2300 København S
Tlf. +45 5161 1000
Fax +45 5161 1001
www.ramboll.dk

SUB-CONSULTANT:



Waste Concern Consultants
Level- 4, House No.- 120/B, (Masjid Road) Road- 7
New DOHS Mohakhali Dhaka- 1207, Bangladesh
Tlf. + 880-2-48810-841, + 880-2-48810-842
Fax. + 880-2- 9899-486, Email- office@wasteconcern.org
www.wasteconcern.org

CLIENT :

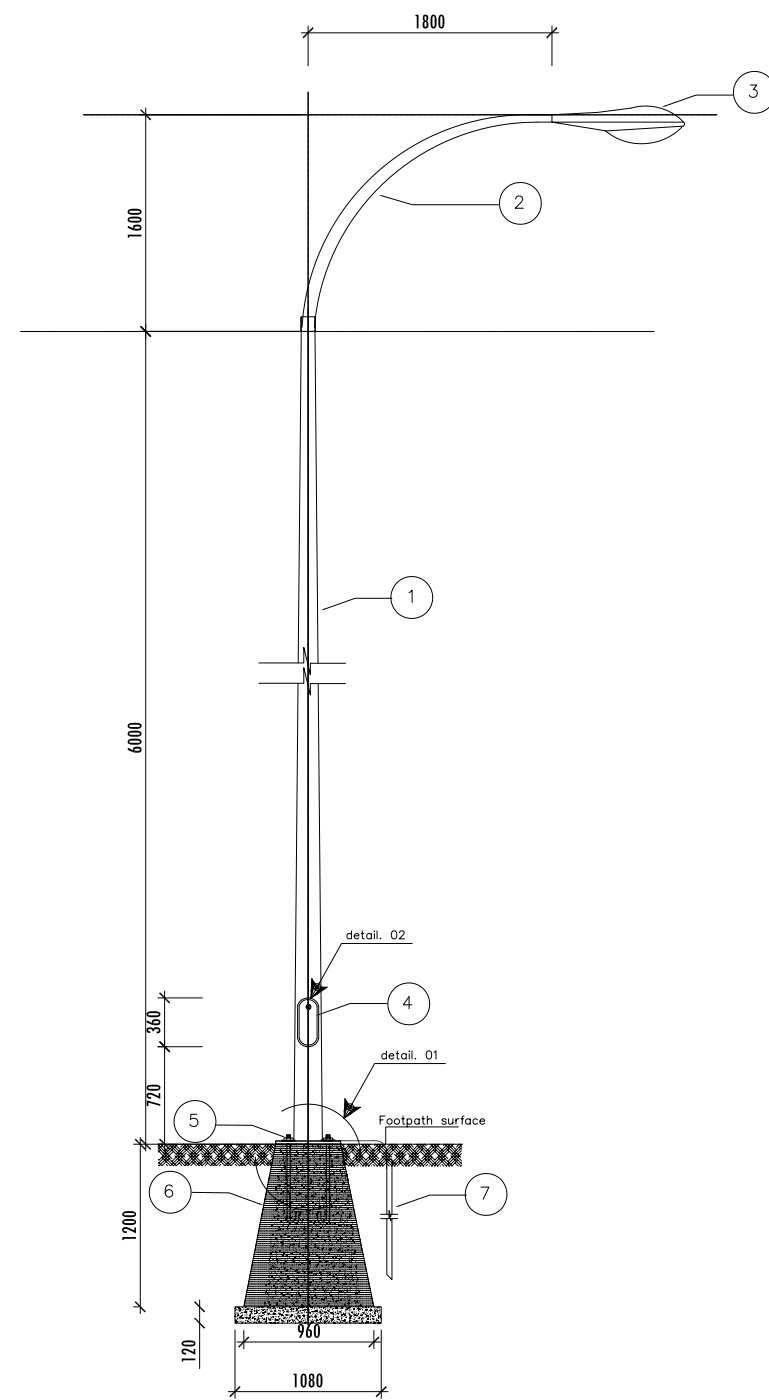


LAO PEOPLE'S DEMOCRATIC REPUBLIC (LAO PDR)
MINISTRY OF INFORMATION, CULTURE AND TOURISM

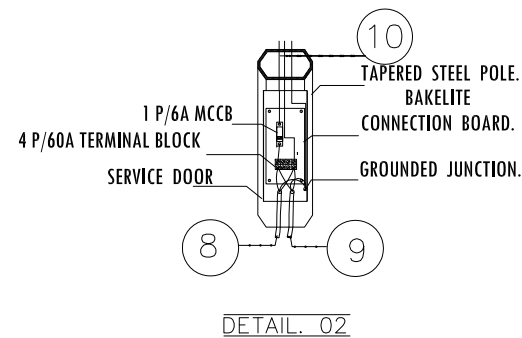
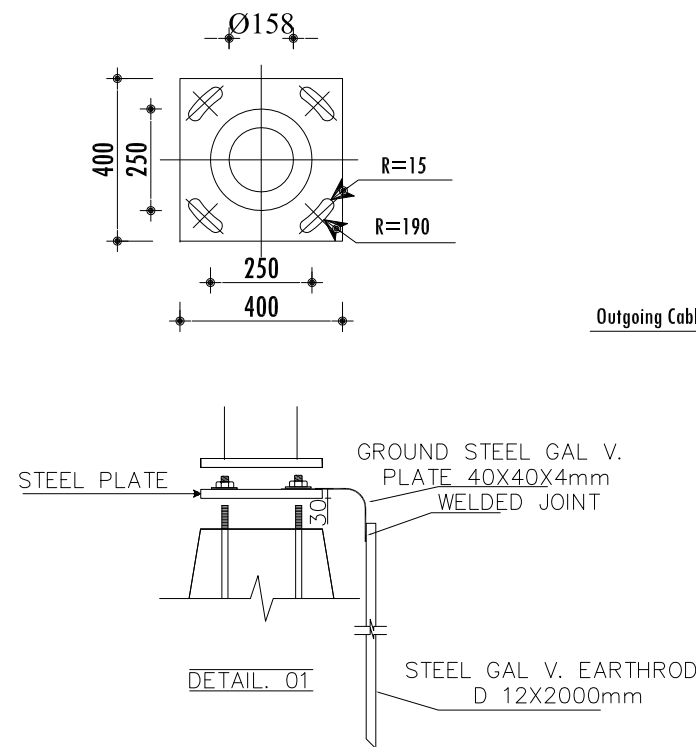
REV.	DATE	DESCRIPTION	DRN
R01	20.07.2020	PRELIMINARY ISSUE	

DESIGNED/DRAWN:
CHECKED:
APPROVED:

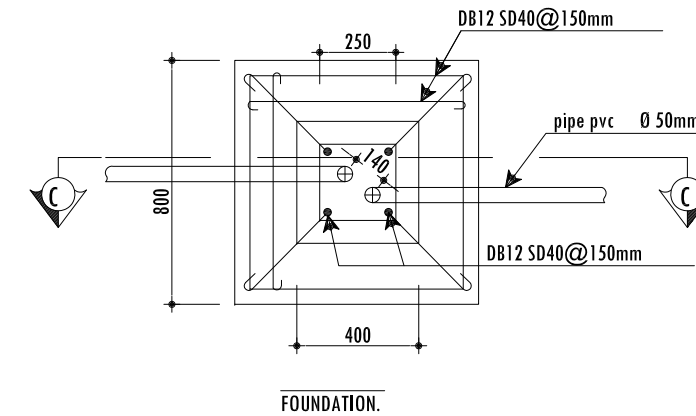
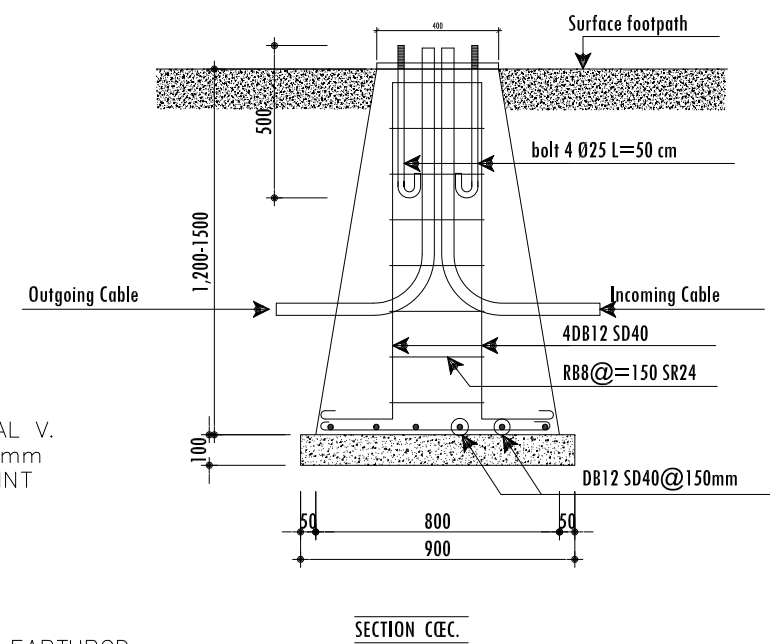
NAME OF PROJECT: 2ND GMS –TOURISM INFRASTRUCTURE FOR INCLUSIVE GROWTH WORKS PACKAGE -TIIGP2-LAO-W04 Subproject V5: Vang Vieng Solid Waste Management Improvements		SHEET NO.:	SHEET SIZE:
TITLE: STANDARD CONSTRUCTION OF FOUNDATION POLE 8m AND 12m		00 OF 00	A3
DRAWING NO.: RAM-LAO-DED-W04-E-09		REV:	DATE:
		R01	JULY 2020



Detail for streetlight pole.



BILL OF MATERIALS		
ITEM	DESCRIPTION	QTY
1	Street light Pole 6m	4
2	Street lightarming	4
3	Street light Type LED Lamp 90W, 230V	4
4	Cover for Service Box	4
J-5	Bolt M 24x500 with nuts and washer	16
6	Foundation Reinforce Concrete	4
7	Ground earthrod M 12x 2000 (to Suit)	4
8	3x4 Sqmm NYY Cable	80 m
9	3x2.5 Sqmm NYY Cable	160 m
10	3X1.5 Sqmm NYY Cable	45 m



NOTES:

1. THE LIGHTING POLE ARE IN ACCORDANCE WITH BRITISH STANDARD 1840. 1960. MENTIONED BELOW:
2. THE LIGHTING POLE ARE MADE WITH ROUND STEEL TUBES TAPPERED COLUMNS DETACHABLE BRACKETS.
3. THICKNESS: Min 4mm . TENSILE STRENGTH: Min 41Kg/mm²
4. THE POLE AND OTHER FERROUS MATERIALS ARE GALVANIZED BOTH INSIDE AND OUTSIDE BY HOT DEEP GALVANIZING IN ACCORDANCE WITH ASTM A525-----_78, 550Gm/m² weight of zinc.

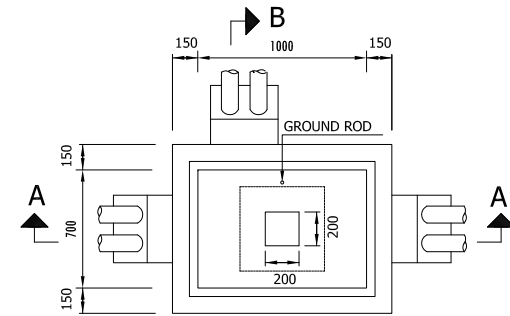
LEAD CONSULTANT :
 Hannemanns Alle'53
 DK-2300 København S
 Tlf. +45 5161 1000
 Fax +45 5161 1001
 www.ramboll.dk

SUB-CONSULTANT:
Waste Concern Consultants
 Level- 4, House No.- 120/B, (Masjid Road) Road- 7
 New DOHS Mohakhali Dhaka- 1207, Bangladesh
 Tlf. + 880-2-48810-841, + 880-2-48810-842
 Fax. + 880-2- 9899-486, Email- office@wasteconcern.org
 www.wasteconcern.org

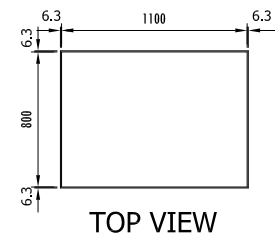
CLIENT :
LAOS
 LAO PEOPLE'S DEMOCRATIC REPUBLIC (LAO PDR)
 MINISTRY OF INFORMATION, CULTURE AND TOURISM

REV.	DATE	DESCRIPTION	DRN
R01	20.07.2020	PRELIMINARY ISSUE	

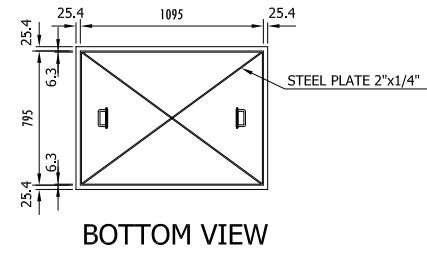
DESIGNED/DRAWN:	NAME OF PROJECT: 2ND GMS -TOURISM INFRASTRUCTURE FOR INCLUSIVE GROWTH WORKS PACKAGE -TIIGP2-LAO-W04 Subproject V5: Vang Vieng Solid Waste Management Improvements	SHEET NO.:	SHEET SIZE:
CHECKED:	TITLE: STANDARD CONSTRUCTION OF FOUNDATION STREET LIGHT POLE 7m HEIGHT	00 OF 00	A3
APPROVED:	DRAWING NO.:	SCALE:	REV:
	RAM-LAO-DED-W04-E-10		R01
		DATE:	JULY 2020



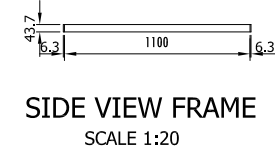
PLAN
SECTION D - D
SCALE 1:20
(MANHOLE WITHOUT COVER)



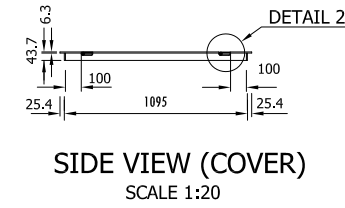
TOP VIEW



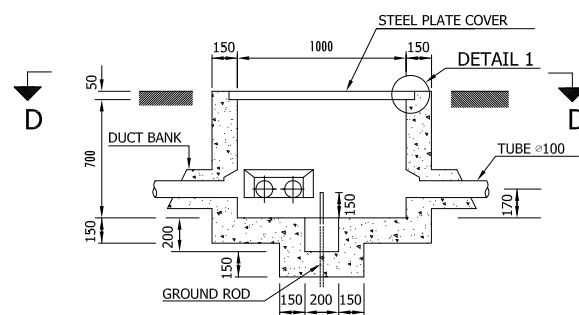
BOTTOM VIEW



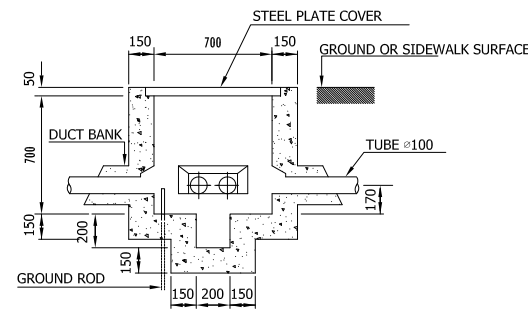
SIDE VIEW FRAME
SCALE 1:20



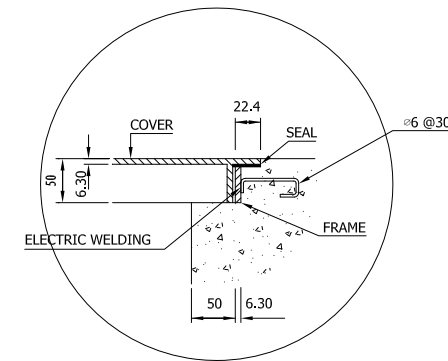
SIDE VIEW (COVER)
SCALE 1:20



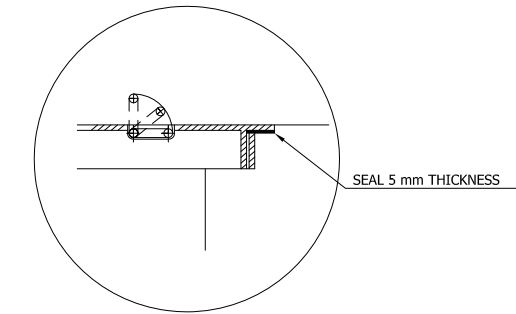
SECTION A - A
SCALE 1:20



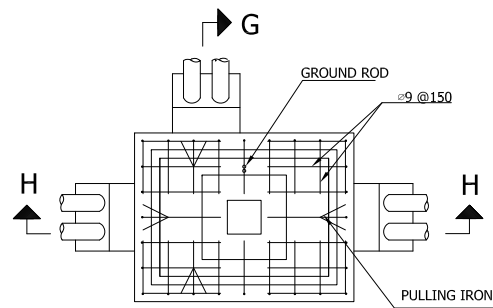
SECTION B - B
SCALE 1:20



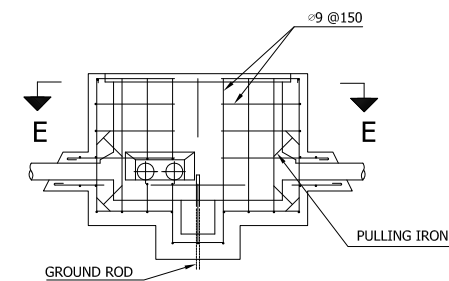
DETAIL 1
NOT TO SCALE



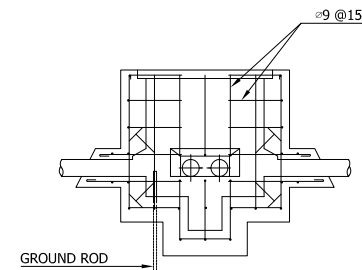
DETAIL 2
NOT TO SCALE



SECTION E - E
SCALE 1:20
(REINFORCING DETAILS)



SECTION H - H
SCALE 1:20
(REINFORCING DETAILS)



SECTION G - G
SCALE 1:20
(REINFORCING DETAILS)

NOTES :

1. ALL DIMENSIONS ARE IN MILLIMETER UNLESS OTHERWISE SHOWN
2. ALL CONCRETE SHALL BE CLASS 25 MPa.
UNLESS OTHERWISE SHOWN . CYLINDER STRENGTH OF CONCRETE
AT 28 DAYS $f_c' = 25$ MPa ; $f_c = 10$ MPa.
3. ALL STEEL REINFORCEMENT SHALL CONFORM TO THE REQUIREMENT OF THE
SPECIFICATION AASHTO M 31, PLAIN BILLET FOR STEEL BARS
FOR CONCRETE REINFORCEMENT.
4. STRUCTURE STEEL SHALL CONFORM TO AASHTO M183.
5. FLAT PLATE STEEL SHALL CONFORM TO AASHTO M 160
6. THE CONCRETE COVER SHALL BE 30 mm. AND MEASURE FROM THE SURFACE
OF CONCRETE TO THE FACE OF NEAREST BAR.

STANDARD DRAWING

PULL THROUGH BOX(MANHOLE)

LEAD CONSULTANT :



Hannemanns Alle'53
DK-2300 København S
Tlf. +45 5161 1000
Fax +45 5161 1001
www.ramboll.dk

SUB-CONSULTANT:



Waste Concern Consultants
Level- 4, House No.- 120/B, (Masjid Road) Road- 7
New DOHS Mohakhali Dhaka- 1207, Bangladesh
Tlf. + 880-2-48810-841, + 880-2-48810-842
Fax. + 880-2- 9899-486, Email- office@wasteconcern.org
www.wasteconcern.org

CLIENT :



LAO PEOPLE'S DEMOCRATIC REPUBLIC (LAO PDR)
MINISTRY OF INFORMATION, CULTURE AND TOURISM

REV.	DATE	DESCRIPTION	DRN
R01	20.07.2020	PRELIMINARY ISSUE	

DESIGNED/DRAWN:

CHECKED:

APPROVED:

NAME OF PROJECT:
**2ND GMS -TOURISM INFRASTRUCTURE FOR INCLUSIVE GROWTH
WORKS PACKAGE -TIIGP2-LAO-W04**

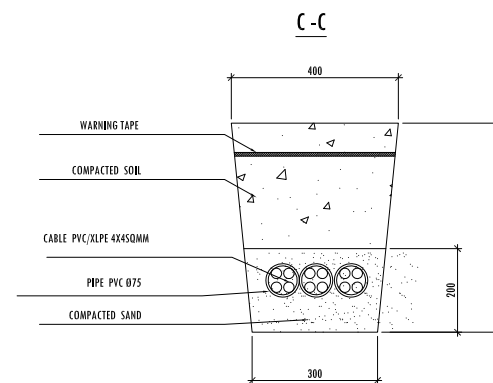
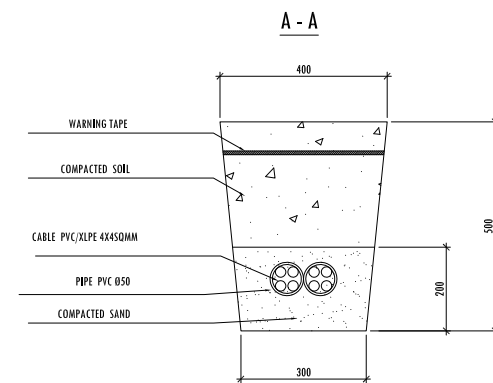
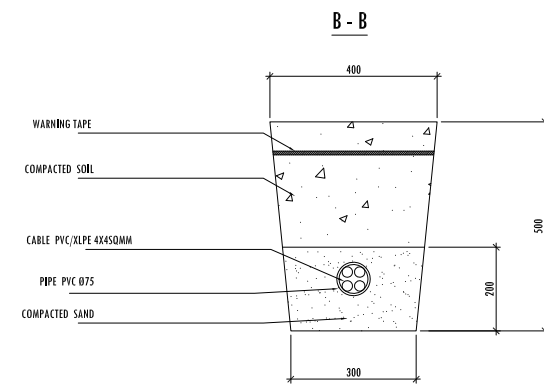
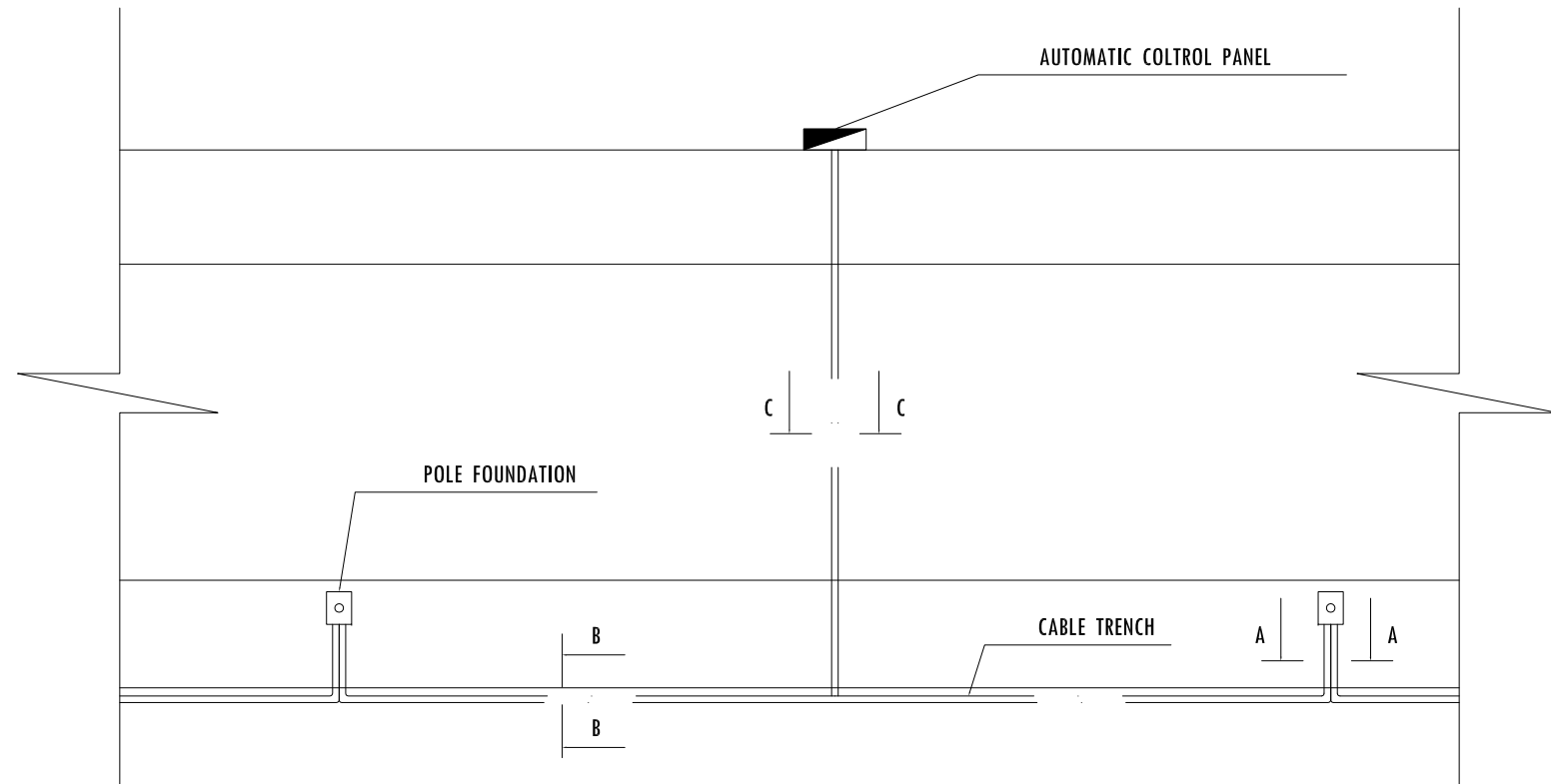
Subproject V5: Vang Vieng Solid Waste Management Improvements

TITLE:
STANDARD CONSTRUCTION MANHOLE FOR
UNDERGROUND CABLE INSTALLATION

DRAWING NO.: RAM-LAO-DED-W04-E-11

SHEET NO.: 00 OF 00
SCALE: A3

REV: R01 DATE: JULY 2020



NOTES:

1. EXCAVATION REINSTATEMENT

- 1.1 BEFORE EXCAVATION IS COMENT, THE MARK OUT AREA ON SITE SHALL BE APPROVED BY THE ENGINEER.
- 1.2 TRENCHES SHALL BE KEP AS STRAIGHT AS POSSIBLE, BOTTOM OF EACH SHALL BE FIRM AND OF SMOOTH CONTOUR.
- 1.3 IN ORDER TO PREVENT DEMAGE TO CABLE AND ACCESSORIES, THE CONTACTOR SHALL TAKE ADEQUATE MEASURE TOENSUREES THAT WATER IS NOT ALLOWED TO ACCUMULATE IN CABLE TRENCHES.
- 1.4 THE DEPTH OF CABLE TRENCHES SHALL IN GENERAL BE NOT LESS THAN 450MM AND DISTANCE BETWEENCABLE SHALL BE 150MMBETWEEN CENTER.
- 1.5 WHEN THE COURSE EXCAVATION, OBSTRUCTIONS ARE ENCONTER ED WHICH REQUIRE DEVIATION FORM THE MARKED ROUTE, THE NEW ROUTE SHALL BE APPROVED BY THE ENGINEER BEFOR FURTHER EXCAVATION COMMENCES.
- 1.6 DAMAGE OR SUSPECTED DAMAGE TO OTHER SERVICES FOUND DURING OR COURSED BY THE EXCAVATION AND INSTALLATION OF CABLE, SHALL BE REPORT BY THE CONTRACTOR TO THE ENGINEER.
- 1.7 MATERIAL EXCAVATED SHALL BE SO PLACE AS TO PREVENT UNNECESSARY NUISANCE OR DAMAGE. TOP SOIL SHALL BE PLACED SEPARATELY AND RE-----USED TO FORM THE TOP LAYER WHEN REINSTATEMENT IS MADE. LARGE PIES OF ROCK, CONCRETE OR METAL etc. REMOVED DURING EXCAVATION SHALL NOT BE REPLACED WHEN BACK FILLING, BUT SHALL BE REMOVED AND DISPOSED OF BY COTRACTOR.
- 1.8 BACK FILLING SHALL BE MADE IN EVEN LAYER, THE EARTH OF EACH LAYER BEING WELL CONSOLIDATED BY LIGHT RAMMING AND SUFFICIENT ALLOWANCE MADE IN THE FINAL LAYER TO ALLOW FOR SETTLEMENT.
- 1.9 WHERE BACK FILLING IS CARRIED OUT BY SUB_ CONTRACTOR, THE CONTRACTOR SHALL PROVIDE SUPERVISION TO PREVENT DAMAGE TO CABLE.
- 1.10 EACH AND EVERY CABLE SHALL BE PROTECTED BY CABLE TILES CENTER 75MM ABOVE THE TOP OF THE CABLE. ALL CABLE TILES WHETHER FOR STRAIGHT RUN OR BENDS SHALL BE OF THE APEX INTERLOCKING PATTERN WITH THE WORDS- " DANGER ELECTRICITY " IMPRESSED ON EVERY TILE. TILES SHALL CONFORM TO BS 2484 AND SHALL BE EARTHENWARE 225MM LONG BY 150MM WIDE.

2. CABLE IN DUCTS

- 2.1 CABLE SHALL BE DRAWN THROUGH DUCTS WHEN CROSSING UNDER ROADS, BUILDING, STRUCTURES, PAVED AREA AND WHERE SHOW ON DRAWINGS.
- 2.2 EARTHEN WARE DUCT SHALL BE USED UNLESS OTHERWISE STATED, THEY SHALL BE OF STAMFORD TYPE, AND CONFORMING TO BS 65 IN ALL RESPECTS. DURING LAYING, CARE SHALL BE TAKEN TO REMOVE ALL EXTRANEIOUS MATERIAL FROM THE SOCKETS, AND THE DUCTS SHALL BE LAID ON A BASE OF 75MM CONCRETE ALSO A LAUNCHING OF 75MM CONCRETE SHALL BE PROVIDES AROUND THE DUCTS. EFFECTIVE MEASURES SHALL BE TAKEN TO PREVENT CONCRETE ENTERING THE BORES OF DUCTS.
- 2.3 PRIOR TO THE INSTALLATION OF CABLE, ALL DUCTS ARE TO BE CLEARED BY DRAWING THROUGH A MANDREL OF SUITABLE DIMENSION, THIS SHALL BE FOLLOWED BY A PULL THROUGH TO CLEAR ANY ACCUMULATED DIRT, SFTER WHICH THE DUCTS WILL BE PLUGGED UNTIL CABLE ARE LAID, THE VOID FORMER BETWEEN THE CABLE AND THE DUCT SHALL BE SEALED USING BITUMINOUS COMPOUND HESSIAN TO PREVEN INGRESS OF DIRT AND WATER.
- 2.4 DUCT SHALL EXTEND FOR A MINIMUM DISTANCE OF 300MM BEYOND THE LIMITS OF TH FEATURES BEING CROSSES.
- 2.5 ALL DUCT SHALL BE 100MM INTERNAL DIAMETER UNLESS OTHERWISE STATED.
- 2.6 NOT MORE THAN ONE CABLE SHALL OCCUPY ANY ONE WAY IN S DUCT UNLESS OTHERWISE APPROVED.

BILL OF MATERIALS

ITEM	DESCRIPTION	QTY
1	Warning tape	780m
2	Centroll panel for Motor pump	1
3	Centroll panel for Motor aerator	4
J4	-----Bolt M 16x500 with nuts and washer	8
5	Foundation Reinforce Concrete	2
6	THW 1x2.5 Sqmm(OR)	780m
7	3x4 Sqmm XLPE Cable with PVC pipe (to suit)	580 m
8	3x8 Sqmm XLPE Cable with PVC pipe (to suit)	930 m
9	Sand	30.55 m3
10	Fitting and accessories	1

LEAD CONSULTANT :



Hannemanns Alle 53
DK-2300 København S
Tlf. +45 5161 1000
Fax +45 5161 1001
www.ramboll.dk

SUB-CONSULTANT:



Waste Concern Consultants
Level- 4, House No.- 120/B, (Masjid Road) Road- 7
New DOHS Mohakhali Dhaka- 1207, Bangladesh
Tlf. + 880-2-48810-841, + 880-2-48810-842
Fax. + 880-2- 9899-486, Email- office@wasteconcern.org
www.wasteconcern.org

CLIENT :

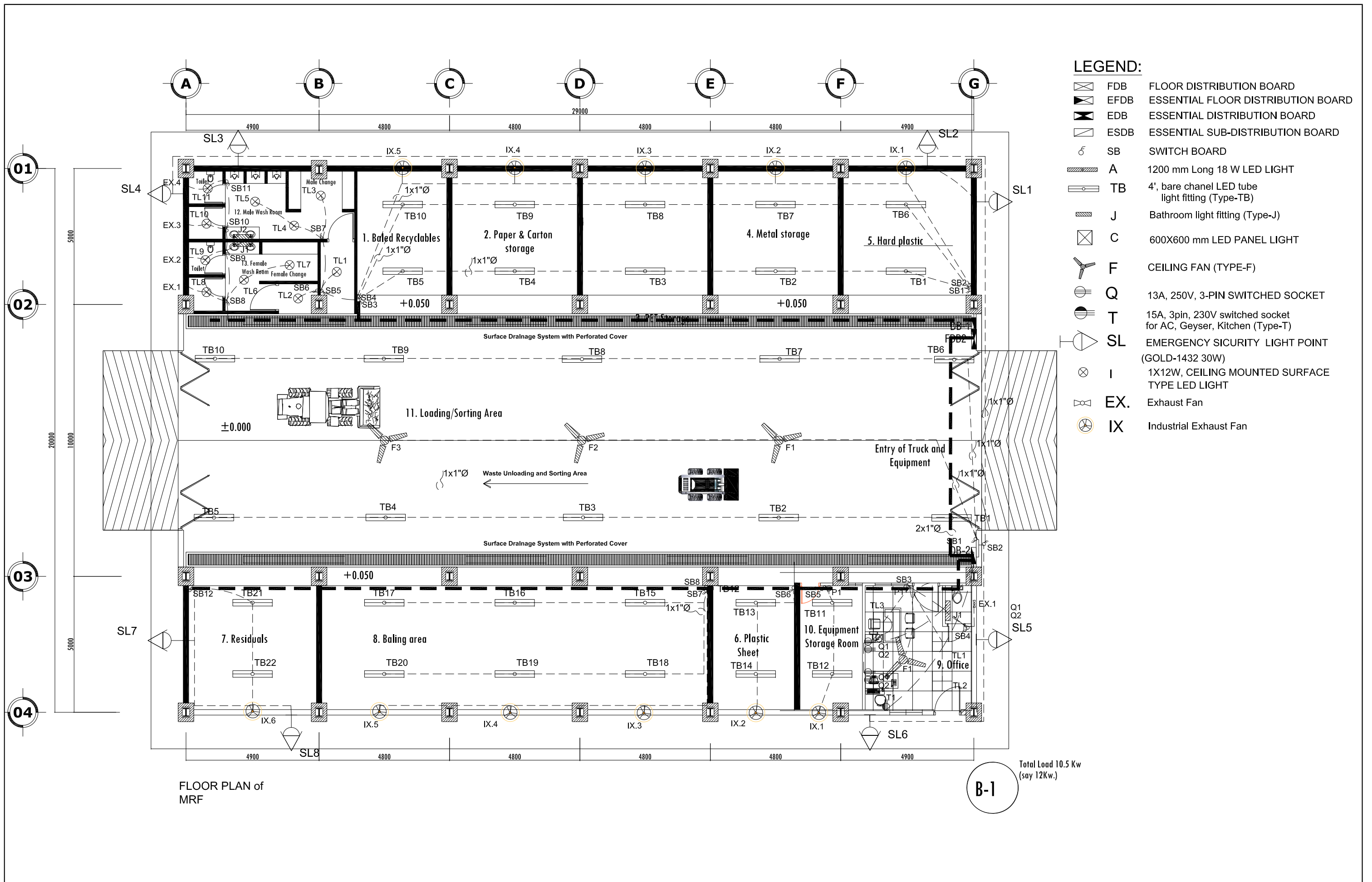


LAO PEOPLE'S DEMOCRATIC REPUBLIC (LAO PDR)
MINISTRY OF INFORMATION, CULTURE AND TOURISM

REV.	DATE	DESCRIPTION	DRN
R01	20.07.2020	PRELIMINARY ISSUE	

DESIGNED/DRAWN:	
CHECKED:	
APPROVED:	

NAME OF PROJECT: 2ND GMS -TOURISM INFRASTRUCTURE FOR INCLUSIVE GROWTH WORKS PACKAGE -TIIGP2-LAO-W04 Subproject V5: Vang Vieng Solid Waste Management Improvements		SHEET NO.: 00 OF 00	SHEET SIZE: A3
TITLE: STANDARD CHANNELCONSTRUCTION FOR UNDERGROUND CABLE INSTALLATION		SCALE:	
DRAWING NO.: RAM-LAO-DED-W04-E-12		REV: R01	DATE: JULY 2020

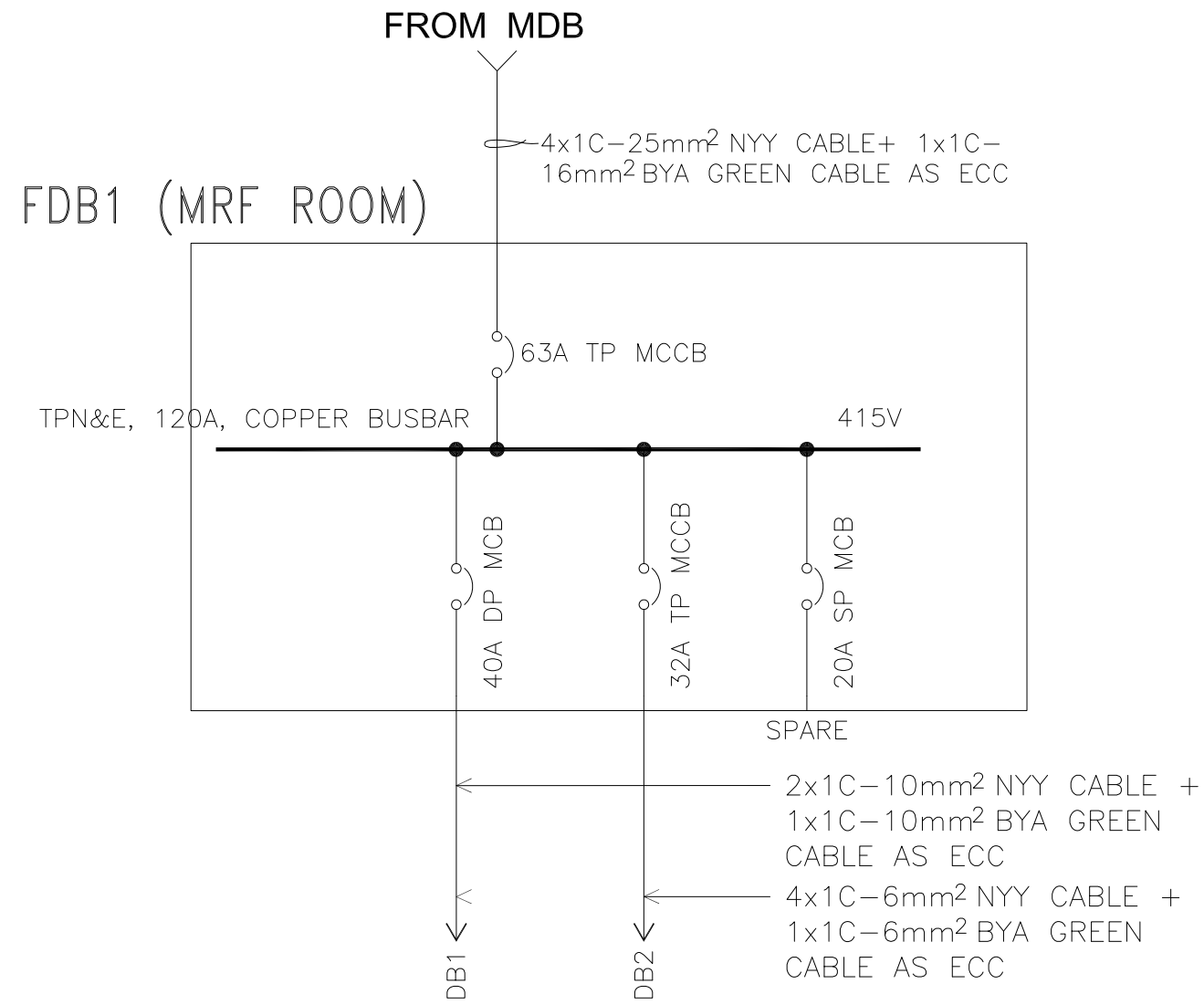
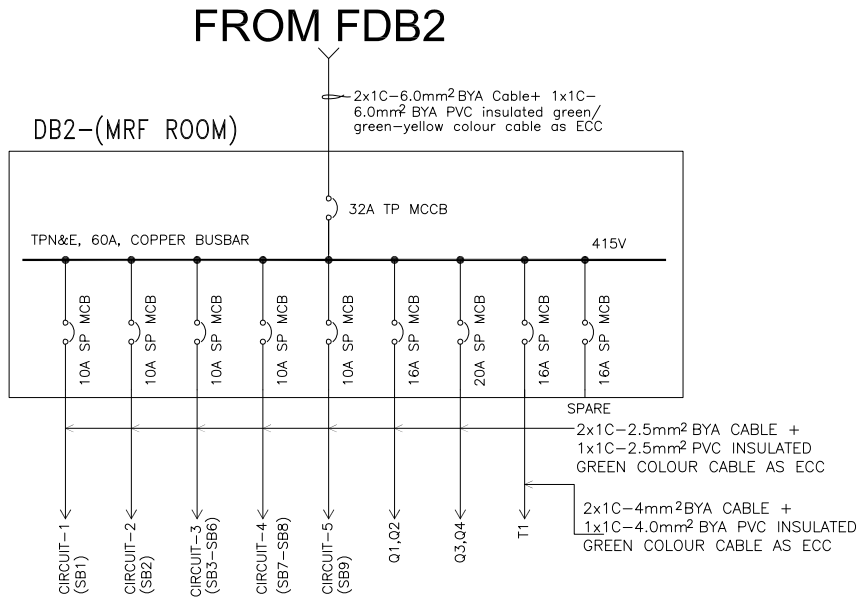
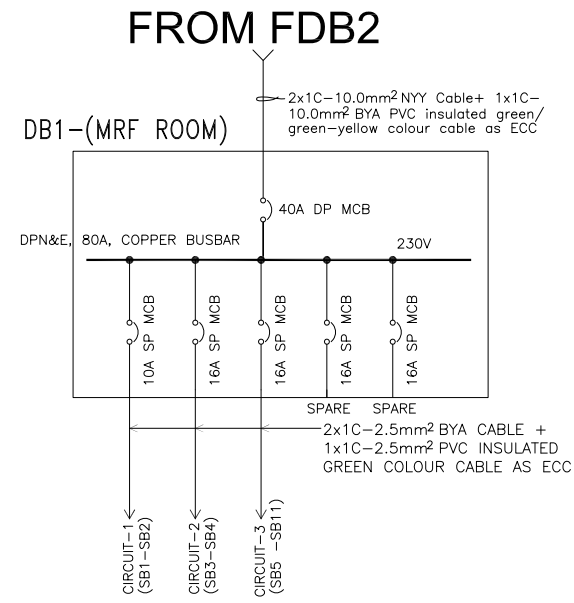


- LEGEND:**
- FDB FLOOR DISTRIBUTION BOARD
 - EFDB ESSENTIAL FLOOR DISTRIBUTION BOARD
 - EDB ESSENTIAL DISTRIBUTION BOARD
 - ESDB ESSENTIAL SUB-DISTRIBUTION BOARD
 - SB SWITCH BOARD
 - A 1200 mm Long 18 W LED LIGHT
 - TB 4', bare chanel LED tube light fitting (Type-TB)
 - J Bathroom light fitting (Type-J)
 - C 600X600 mm LED PANEL LIGHT
 - F CEILING FAN (TYPE-F)
 - Q 13A, 250V, 3-PIN SWITCHED SOCKET
 - T 15A, 3pin, 230V switched socket for AC, Geyser, Kitchen (Type-T)
 - SL EMERGENCY SECURITY LIGHT POINT (GOLD-1432 30W)
 - I 1X12W, CEILING MOUNTED SURFACE TYPE LED LIGHT
 - EX. Exhaust Fan
 - IX Industrial Exhaust Fan

FLOOR PLAN of MRF

Total Load 10.5 Kw (say 12Kw.)

LEAD CONSULTANT : Hannemanns Alle'53 DK-2300 København S Tlf. +45 5161 1000 Fax +45 5161 1001 www.ramboll.dk		SUB-CONSULTANT: Waste Concern Consultants Level- 4, House No.- 120/B, (Masjid Road) Road-7 New DOHS Mohakhali Dhaka- 1207, Bangladesh Tlf. + 880-2-48810-841, + 880-2-48810-842 Fax. + 880-2- 9899-486, Email- office@wasteconcern.org www.wasteconcern.org		CLIENT : LAOS LAO PEOPLE'S DEMOCRATIC REPUBLIC (LAO PDR) MINISTRY OF INFORMATION, CULTURE AND TOURISM		DESIGNED/DRAWN: CHECKED: APPROVED:		NAME OF PROJECT: 2ND GMS -TOURISM INFRASTRUCTURE FOR INCLUSIVE GROWTH WORKS PACKAGE -TIIGP2-LAO-W04 Subproject V5: Vang Vieng Solid Waste Management Improvements	
REV. DATE DESCRIPTION DRN		TITLE: ELECTRICAL FITTINGS & CONDUIT LAYOUT OF MRF BUILDING.		SHEET NO.: 00 OF 00		SHEET SIZE: A3			
R01 20.07.2020 PRELIMINARY ISSUE		DRAWING NO.: RAM-LAO-DED-W04-E-13		REV: R01		DATE: JULY 2020			



LEAD CONSULTANT :

RAMBOLL

Hannemanns Alle 53
DK-2300 København S
Tlf. +45 5161 1000
Fax +45 5161 1001
www.ramboll.dk

SUB-CONSULTANT:

Waste Concern Consultants

Level- 4, House No.- 120/B, (Masjid Road) Road- 7
New DOHS Mohakhali Dhaka- 1207, Bangladesh
Tlf. + 880-2-48810-841, + 880-2-48810-842
Fax. + 880-2- 9899-486, Email- office@wasteconcern.org
www.wasteconcern.org

CLIENT :

LAOS

LAO PEOPLE'S DEMOCRATIC REPUBLIC (LAO PDR)
MINISTRY OF INFORMATION, CULTURE AND TOURISM

REV.	DATE	DESCRIPTION	DRN
R01	20.07.2020	PRELIMINARY ISSUE	

DESIGNED/DRAWN: /

CHECKED: /

APPROVED: /

NAME OF PROJECT:
**2ND GMS -TOURISM INFRASTRUCTURE FOR INCLUSIVE GROWTH
WORKS PACKAGE -TIIGP2-LAO-W04
Subproject V5: Vang Vieng Solid Waste Management Improvements**

TITLE:
CIRCUIT DIAGRAM OF MRF BUILDING.

DRAWING NO.: RAM-LAO-DED-W04-E-14

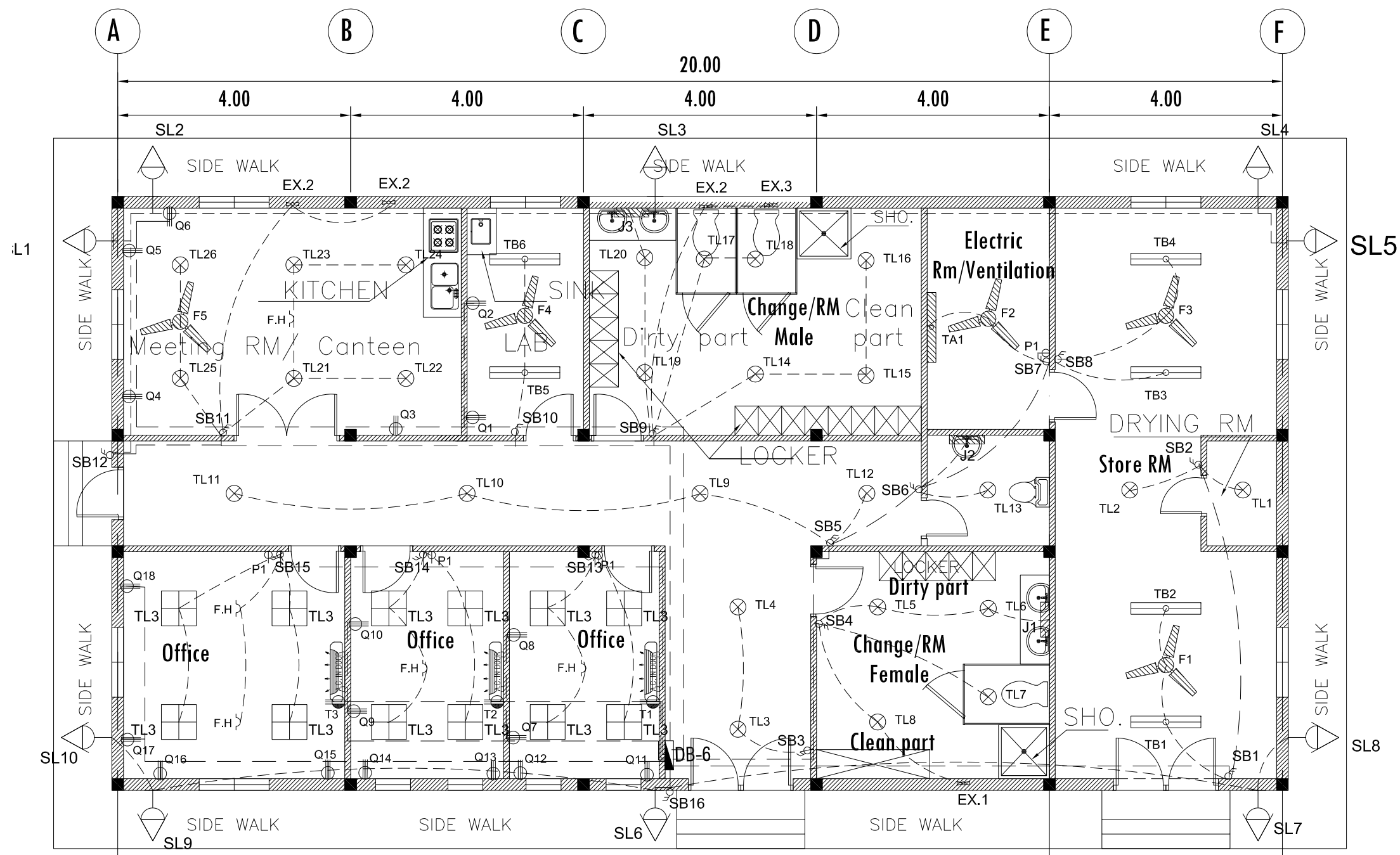
SHEET NO.: 00 OF 00
SCALE: /

SHEET SIZE: A3

REV: R01 DATE: JULY 2020

Total Load 10.9 Kw
(say 12Kw.)

B-2



- LEGEND:**
- FDB FLOOR DISTRIBUTION BOARD
 - EFDB ESSENTIAL FLOOR DISTRIBUTION BOARD
 - EDB ESSENTIAL DISTRIBUTION BOARD
 - ESDB ESSENTIAL SUB-DISTRIBUTION BOARD
 - SB SWITCH BOARD
 - A 1200 mm Long 18 W LED LIGHT
 - TB 4' bare chanel LED tube light fitting (Type-TB)
 - J Bathroom light fitting (Type-J)
 - C 600X600 mm LED PANEL LIGHT
 - F CEILING FAN (TYPE-F)
 - Q 13A, 250V, 3-PIN SWITCHED SOCKET
 - T 15A, 3pin, 230V switched socket for AC, Geyser, Kitchen (Type-T)
 - SL EMERGENCY SECURITY LIGHT POINT (GOLD-1432 30W)
 - I 1X12W, CEILING MOUNTED SURFACE TYPE LED LIGHT
 - EX. Exhaust Fan

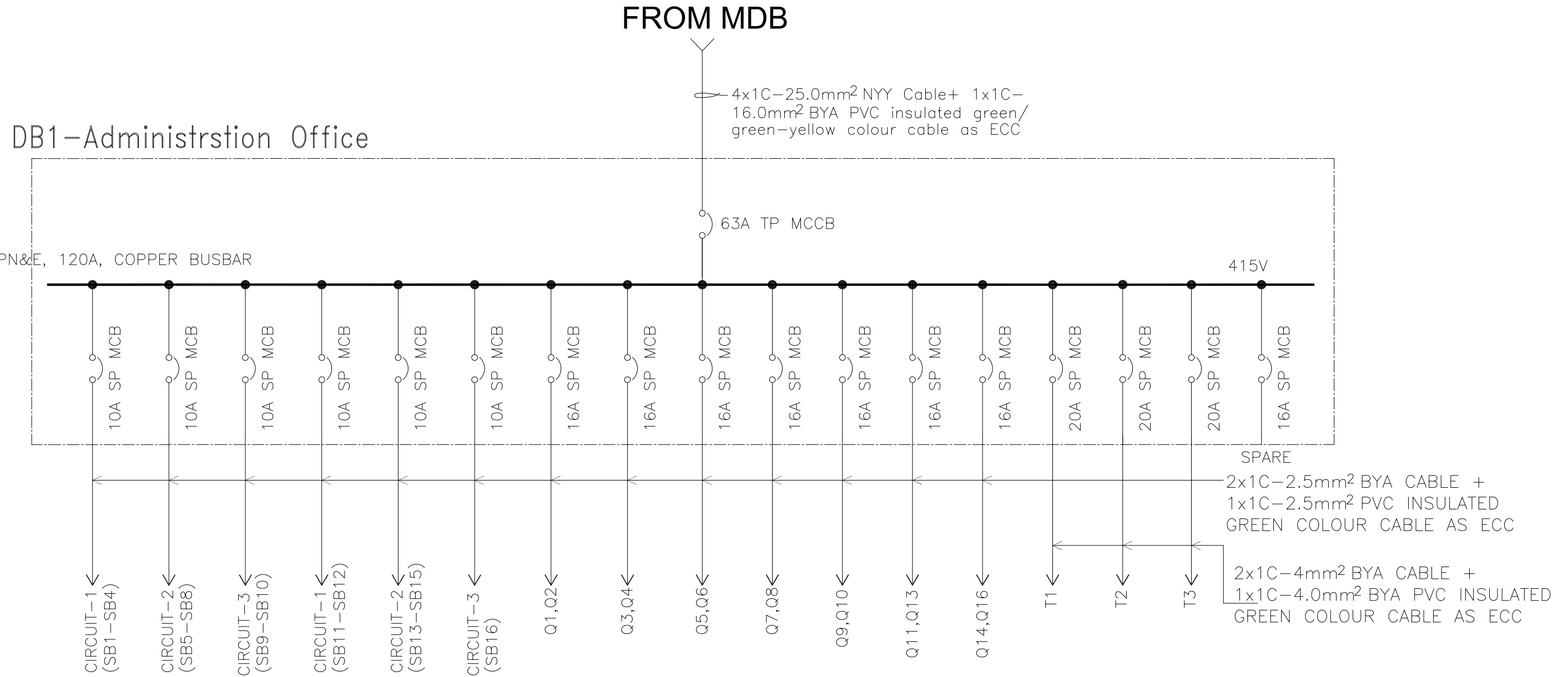
LEAD CONSULTANT :
RAMBOLL
Hannemanns Alle 53
DK-2300 København S
Tlf. +45 5161 1000
Fax +45 5161 1001
www.ramboll.dk

SUB-CONSULTANT:
Waste Concern Consultants
Level- 4, House No.- 120/B, (Masjid Road) Road- 7
New DOHS Mohakhali Dhaka- 1207, Bangladesh
Tlf. + 880-2-48810-841, + 880-2-48810-842
Fax. + 880-2- 9899-486, Email- office@wasteconcern.org
www.wasteconcern.org

CLIENT :
LAOS
LAO PEOPLE'S DEMOCRATIC REPUBLIC (LAO PDR)
MINISTRY OF INFORMATION, CULTURE AND TOURISM

REV.	DATE	DESCRIPTION	DRN
R01	20.07.2020	PRELIMINARY ISSUE	

DESIGNED/DRAWN:	NAME OF PROJECT: 2ND GMS -TOURISM INFRASTRUCTURE FOR INCLUSIVE GROWTH WORKS PACKAGE -TIIGP2-LAO-W04 Subproject V5: Vang Vieng Solid Waste Management Improvements	SHEET NO.: 00 OF 00	SHEET SIZE: A3
CHECKED:	TITLE: ELECTRICAL FITTINGS & CONDUIT LAYOUT OF ADMINISTRATION OFFICE BUILDING.	SCALE:	
APPROVED:	DRAWING NO.: RAM-LAO-DED-W04-E-15	REV: R01	DATE: JULY 2020



LEAD CONSULTANT :

RAMBOLL
 Hannemanns Alle 53
 DK-2300 København S
 Tlf. +45 5161 1000
 Fax +45 5161 1001
 www.ramboll.dk

SUB-CONSULTANT:

Waste Concern Consultants
 Level- 4, House No.- 120/B, (Masjid Road) Road- 7
 New DOHS Mohakhali Dhaka- 1207, Bangladesh
 Tlf. + 880-2-48810-841, + 880-2-48810-842
 Fax. + 880-2- 9899-486, Email- office@wasteconcern.org
 www.wasteconcern.org

CLIENT :

LAOS
 LAO PEOPLE'S DEMOCRATIC REPUBLIC (LAO PDR)
 MINISTRY OF INFORMATION, CULTURE AND TOURISM

REV.	DATE	DESCRIPTION	DRN
R01	20.07.2020	PRELIMINARY ISSUE	

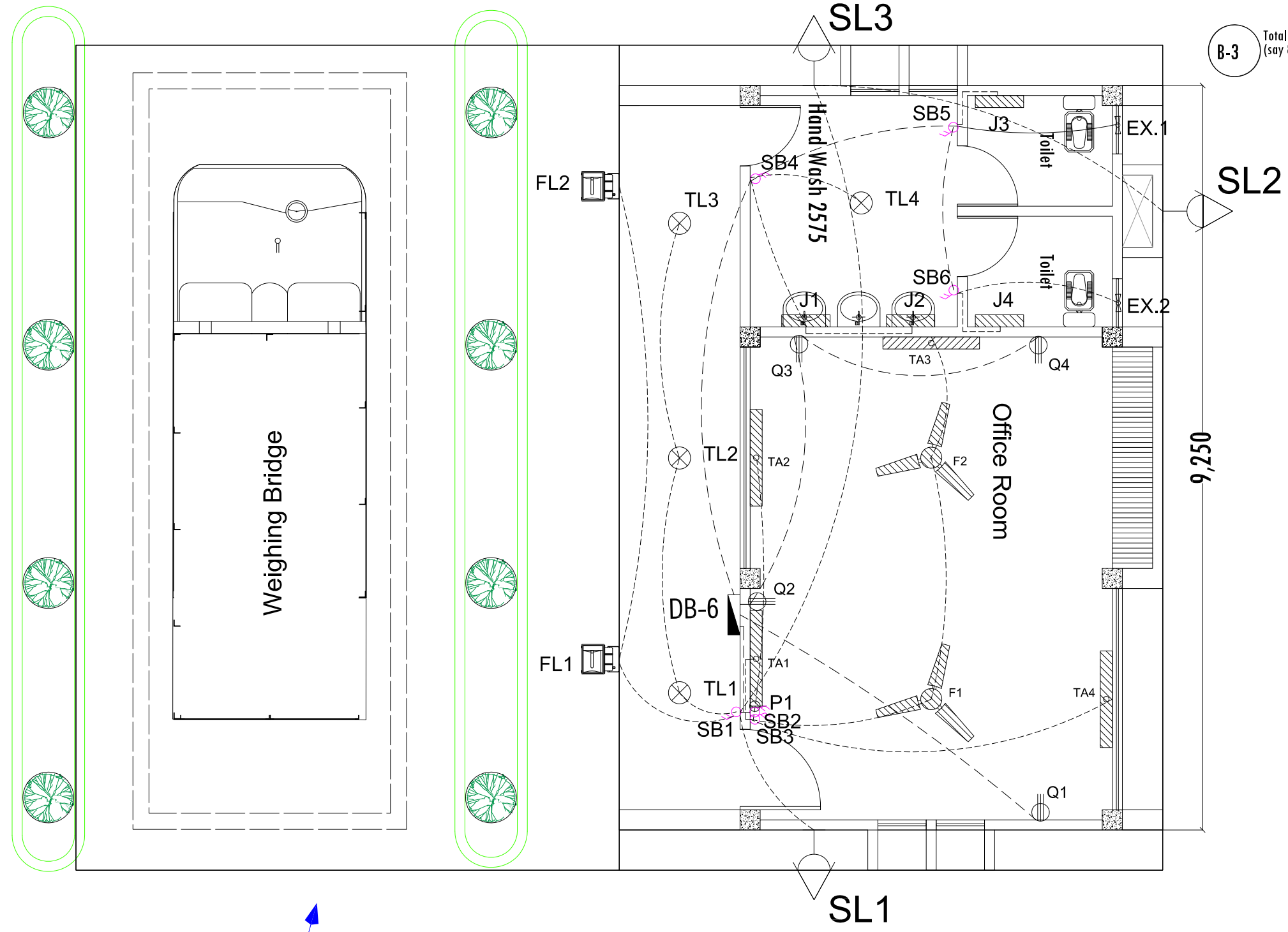
DESIGNED/DRAWN:
 CHECKED:
 APPROVED:

NAME OF PROJECT:
2ND GMS -TOURISM INFRASTRUCTURE FOR INCLUSIVE GROWTH
WORKS PACKAGE -TIIGP2-LAO-W04
Subproject V5: Vang Vieng Solid Waste Management Improvements

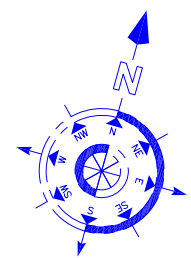
TITLE:
CIRCUIT DIAGRAM OF ADMINISTRATION OFFICE BUILDING.

DRAWING NO.: RAM-LAO-DED-W04-E-16

SHEET NO.: 00 OF 00
 SHEET SIZE: A3
 SCALE:
 REV: R01 DATE: JULY 2020



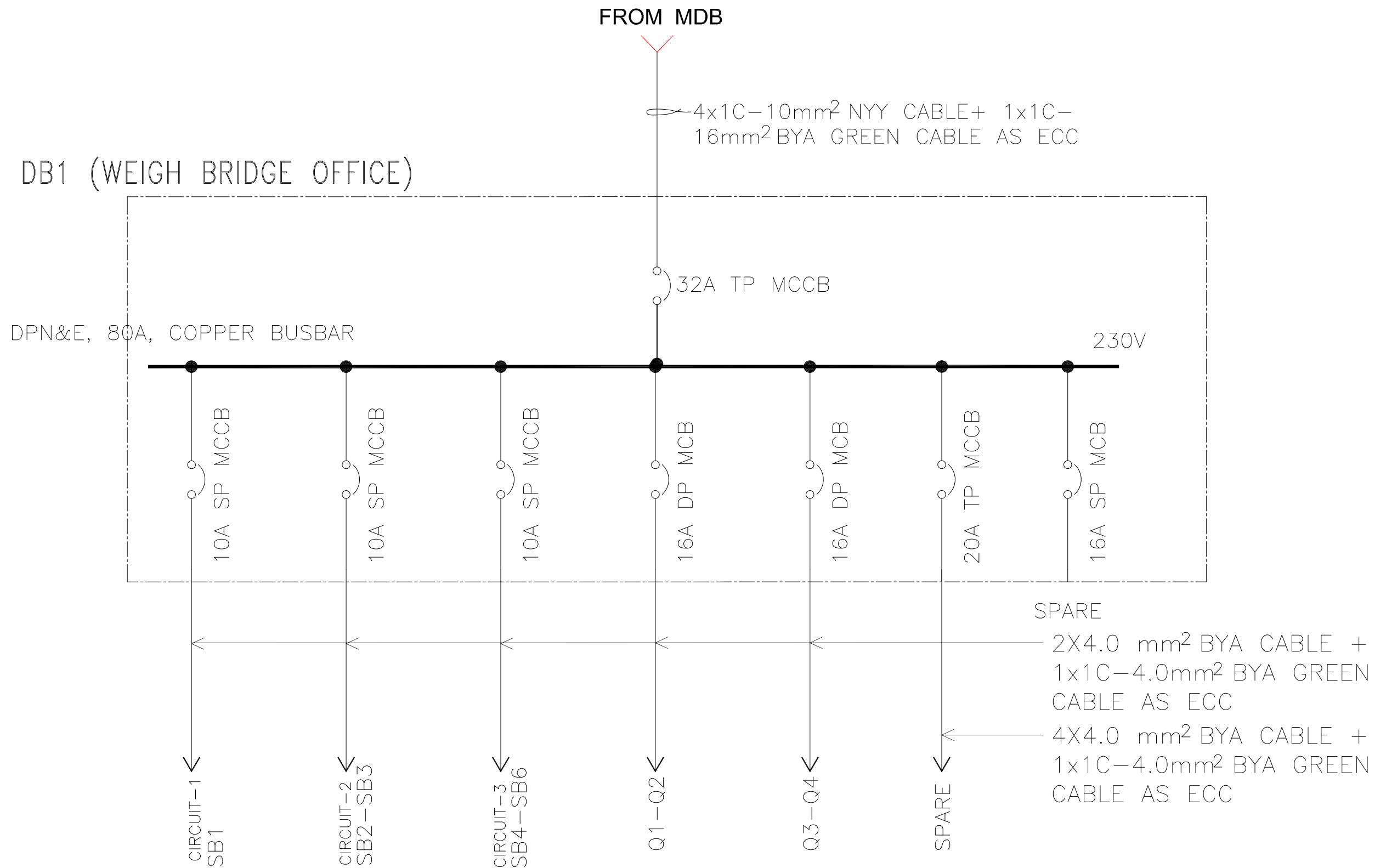
- LEGEND:**
- FDB FLOOR DISTRIBUTION BOARD
 - EFDB ESSENTIAL FLOOR DISTRIBUTION BOARD
 - EDB ESSENTIAL DISTRIBUTION BOARD
 - ESDB ESSENTIAL SUB-DISTRIBUTION BOARD
 - SB SWITCH BOARD
 - A 1200 mm Long 18 W LED LIGHT
 - TB 4', bare chanel LED tube light fitting (Type-TB)
 - J Bathroom light fitting (Type-J)
 - FL FLOOD LIGHT POINT (50W)
 - F CEILING FAN (TYPE-F)
 - Q 13A, 250V, 3-PIN SWITCHED SOCKET
 - T 15A, 3pin, 230V switched socket for AC, Geyser, Kitchen (Type-T)
 - SL EMERGENCY SICURITY LIGHT POINT (GOLD-1432 30W)
 - IX Industrial Exhaust Fan
 - EX. Exhaust Fan



Plan of Weigh Bridge Office Building

Scale :- 1:100

LEAD CONSULTANT : Hannemanns Alle'53 DK-2300 København S Tlf. +45 5161 1000 Fax +45 5161 1001 www.ramboll.dk	SUB-CONSULTANT: Waste Concern Consultants Level- 4, House No.- 120/B, (Masjid Road) Road- 7 New DOHS Mohakhali Dhaka- 1207, Bangladesh Tlf. + 880-2-48810-841, + 880-2-48810-842 Fax. + 880-2- 9899-486, Email- office@wasteconcern.org www.wasteconcern.org	CLIENT : LAOS LAO PEOPLE'S DEMOCRATIC REPUBLIC (LAO PDR) MINISTRY OF INFORMATION, CULTURE AND TOURISM	DESIGNED/DRAWN:	NAME OF PROJECT:										
			CHECKED:	2ND GMS -TOURISM INFRASTRUCTURE FOR INCLUSIVE GROWTH WORKS PACKAGE -TIIGP2-LAO-W04 Subproject V5: Vang Vieng Solid Waste Management Improvements										
			APPROVED:	TITLE:	SHEET NO.:	SHEET SIZE:								
			<table border="1"> <thead> <tr> <th>REV.</th> <th>DATE</th> <th>DESCRIPTION</th> <th>DRN</th> </tr> </thead> <tbody> <tr> <td>R01</td> <td>20.07.2020</td> <td>PRELIMINARY ISSUE</td> <td></td> </tr> </tbody> </table>	REV.	DATE	DESCRIPTION	DRN	R01	20.07.2020	PRELIMINARY ISSUE		ELECTRICAL FITTINGS & CONDUIT LAYOUT OF WEIGH BRIDGE OFFICE	00 OF 00	A3
REV.	DATE	DESCRIPTION	DRN											
R01	20.07.2020	PRELIMINARY ISSUE												
			DRAWING NO.:	REV:	DATE:									
			RAM-LAO-DED-W04-E-17	R01	JULY 2020									



LEAD CONSULTANT :



Hannemanns Alle 53
DK-2300 København S
Tlf. +45 5161 1000
Fax +45 5161 1001
www.ramboll.dk

SUB-CONSULTANT:



Waste Concern Consultants
Level- 4, House No.- 120/B, (Masjid Road) Road- 7
New DOHS Mohakhali Dhaka- 1207, Bangladesh
Tlf. + 880-2-48810-841, + 880-2-48810-842
Fax. + 880-2- 9899-486, Email- office@wasteconcern.org
www.wasteconcern.org

CLIENT :



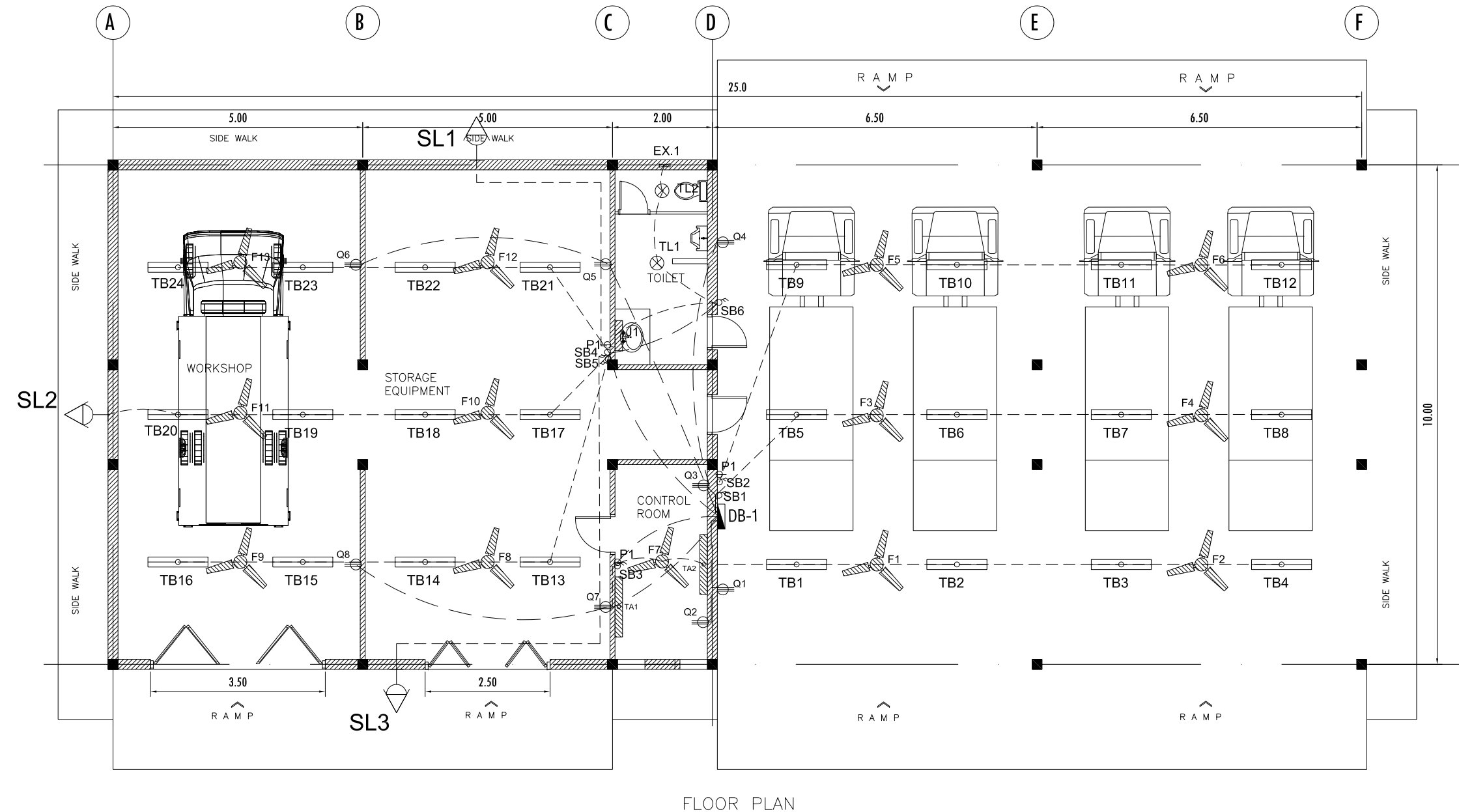
LAO PEOPLE'S DEMOCRATIC REPUBLIC (LAO PDR)
MINISTRY OF INFORMATION, CULTURE AND TOURISM

REV.	DATE	DESCRIPTION	DRN
R01	20.07.2020	PRELIMINARY ISSUE	

DESIGNED/DRAWN:
CHECKED:
APPROVED:

NAME OF PROJECT: 2ND GMS -TOURISM INFRASTRUCTURE FOR INCLUSIVE GROWTH WORKS PACKAGE -TIIGP2-LAO-W04 Subproject V5: Vang Vieng Solid Waste Management Improvements		SHEET NO.:	SHEET SIZE:
TITLE: CIRCUIT DIAGRAM OF WEIGH BRIDGE OFFICE		00 OF 00	A3
DRAWING NO.: RAM-LAO-DED-W04-E-18		REV:	DATE:
		R01	JULY 2020

B-4 Total Load 8.5 Kw
(say 10Kw.)



- LEGEND:**
- FDB FLOOR DISTRIBUTION BOARD
 - EFDB ESSENTIAL FLOOR DISTRIBUTION BOARD
 - EDB ESSENTIAL DISTRIBUTION BOARD
 - ESDB ESSENTIAL SUB-DISTRIBUTION BOARD
 - SB SWITCH BOARD
 - A 1200 mm Long 18 W LED LIGHT
 - TB 4', bare chanel LED tube light fitting (Type-TB)
 - J Bathroom light fitting (Type-J)
 - F CEILING FAN (TYPE-F)
 - Q 13A, 250V, 3-PIN SWITCHED SOCKET
 - T 15A, 3pin, 230V switched socket for AC, Geyser, Kitchen (Type-T)
 - SL EMERGENCY SECURITY LIGHT POINT (GOLD-1432 30W)
 - I 1X12W, CEILING MOUNTED SURFACE TYPE LED LIGHT
 - EX. Exhaust Fan

FLOOR PLAN

LEAD CONSULTANT :
RAMBOLL
Hannemanns Alle'53
DK-2300 København S
Tlf. +45 5161 1000
Fax +45 5161 1001
www.ramboll.dk

SUB-CONSULTANT:
Waste Concern Consultants
Level- 4, House No.- 120/B, (Masjid Road) Road- 7
New DOHS Mohakhali Dhaka- 1207, Bangladesh
Tlf. + 880-2-48810-841, + 880-2-48810-842
Fax. + 880-2- 9899-486, Email- office@wasteconcern.org
www.wasteconcern.org

CLIENT :
LAOS
LAO PEOPLE'S DEMOCRATIC REPUBLIC (LAO PDR)
MINISTRY OF INFORMATION, CULTURE AND TOURISM

REV.	DATE	DESCRIPTION	DRN
R01	20.07.2020	PRELIMINARY ISSUE	

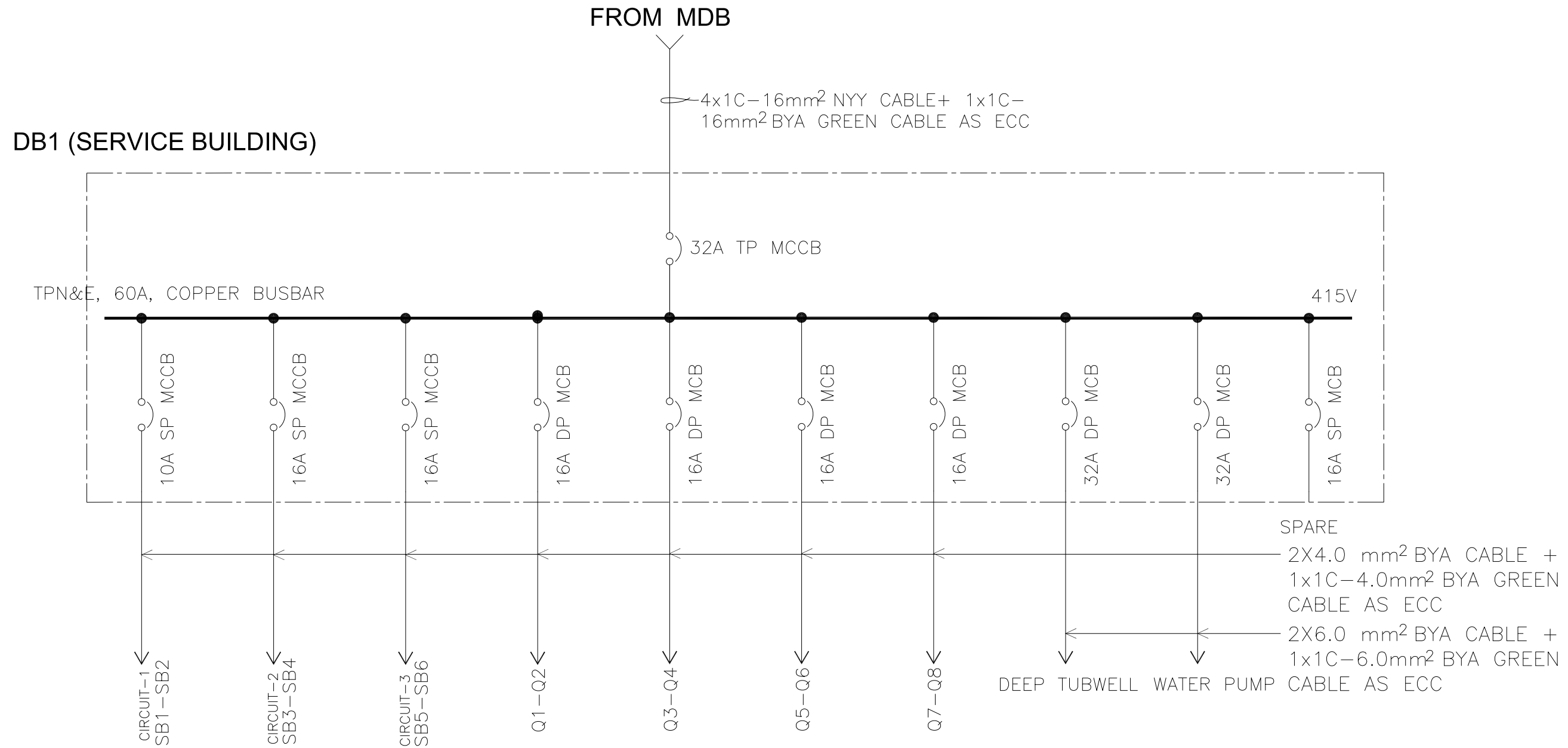
DESIGNED/DRAWN: _____
CHECKED: _____
APPROVED: _____

NAME OF PROJECT:
2ND GMS -TOURISM INFRASTRUCTURE FOR INCLUSIVE GROWTH
WORKS PACKAGE -TIIGP2-LAO-W04
Subproject V5: Vang Vieng Solid Waste Management Improvements

TITLE:
ELECTRICAL FITTINGS & CONDUIT LAYOUT OF SERVICE BUILDING

DRAWING NO.: RAM-LAO-DED-W04-E-19

SHEET NO.: 00 OF 00
SHEET SIZE: A3
SCALE: _____
REV: R01 DATE: JULY 2020



LEAD CONSULTANT :



Hannemanns Alle 53
DK-2300 København S
Tlf. +45 5161 1000
Fax +45 5161 1001
www.ramboll.dk

SUB-CONSULTANT:



Waste Concern Consultants
Level- 4, House No.- 120/B, (Masjid Road) Road- 7
New DOHS Mohakhali Dhaka- 1207, Bangladesh
Tlf. + 880-2-48810-841, + 880-2-48810-842
Fax. + 880-2- 9899-486, Email- office@wasteconcern.org
www.wasteconcern.org

CLIENT :

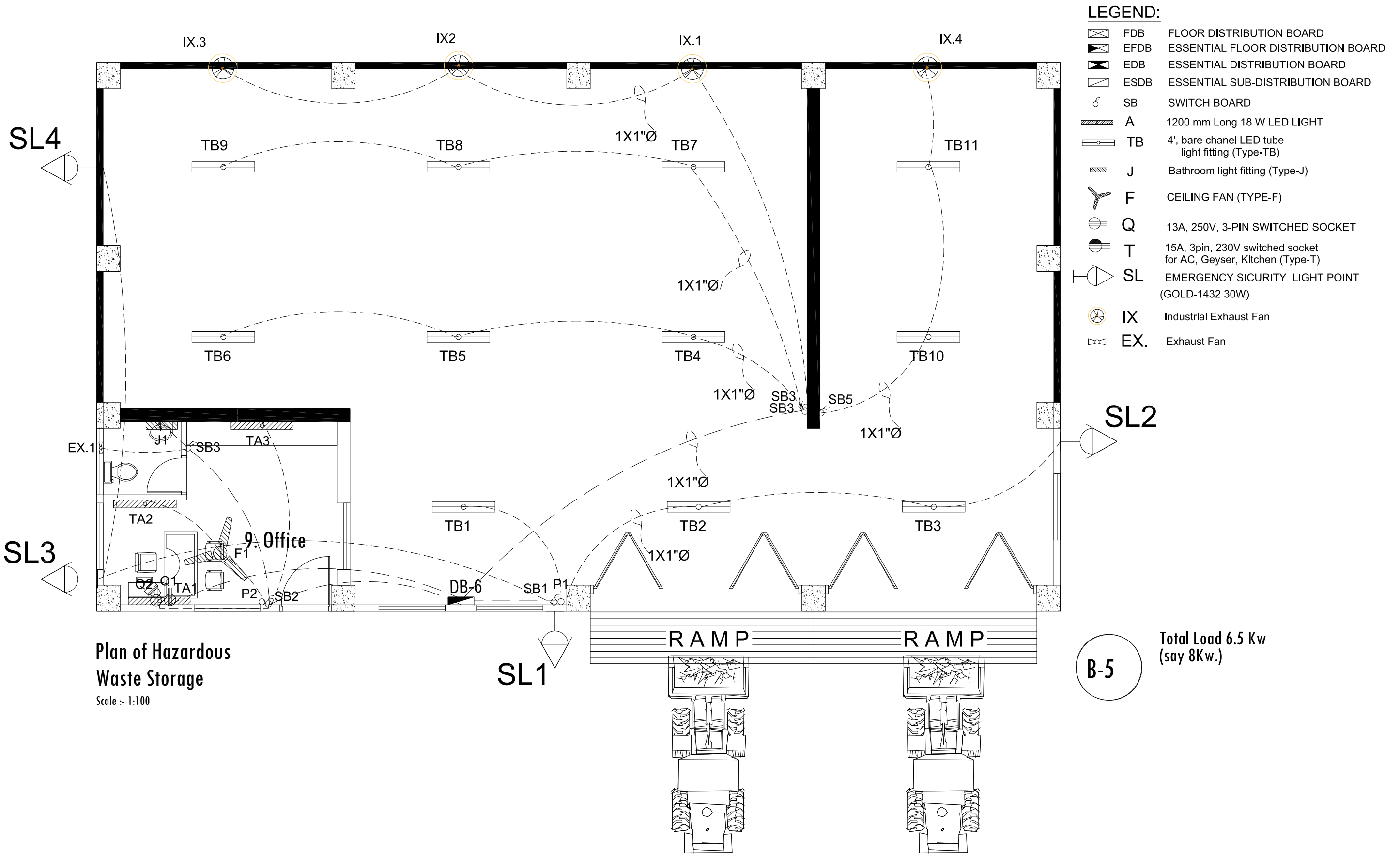


LAO PEOPLE'S DEMOCRATIC REPUBLIC (LAO PDR)
MINISTRY OF INFORMATION, CULTURE AND TOURISM

REV.	DATE	DESCRIPTION	DRN
R01	20.07.2020	PRELIMINARY ISSUE	

DESIGNED/DRAWN:
CHECKED:
APPROVED:

NAME OF PROJECT:		2ND GMS -TOURISM INFRASTRUCTURE FOR INCLUSIVE GROWTH	
		WORKS PACKAGE -TIIGP2-LAO-W04	
		Subproject V5: Vang Vieng Solid Waste Management Improvements	
TITLE:		CIRCUIT DIAGRAM OF SERVICE BUILDING	
DRAWING NO.:		RAM-LAO-DED-W04-E-20	
SHEET NO.:	00 OF 00	SHEET SIZE:	A3
SCALE:		REV:	R01
		DATE:	JULY 2020



- LEGEND:**
- FDB FLOOR DISTRIBUTION BOARD
 - EFDB ESSENTIAL FLOOR DISTRIBUTION BOARD
 - EDB ESSENTIAL DISTRIBUTION BOARD
 - ESDB ESSENTIAL SUB-DISTRIBUTION BOARD
 - SB SWITCH BOARD
 - A 1200 mm Long 18 W LED LIGHT
 - TB 4', bare chanel LED tube light fitting (Type-TB)
 - J Bathroom light fitting (Type-J)
 - F CEILING FAN (TYPE-F)
 - Q 13A, 250V, 3-PIN SWITCHED SOCKET
 - T 15A, 3pin, 230V switched socket for AC, Geyser, Kitchen (Type-T)
 - SL EMERGENCY SECURITY LIGHT POINT (GOLD-1432 30W)
 - IX Industrial Exhaust Fan
 - EX Exhaust Fan

Plan of Hazardous Waste Storage
Scale :- 1:100

B-5 Total Load 6.5 Kw (say 8Kw.)

LEAD CONSULTANT :

Hannemanns Alle'53
DK-2300 København S
Tlf. +45 5161 1000
Fax +45 5161 1001
www.ramboll.dk

SUB-CONSULTANT:

Waste Concern Consultants
Level- 4, House No.- 120/B, (Masjid Road) Road- 7
New DOHS Mohakhali Dhaka- 1207, Bangladesh
Tlf. + 880-2-48810-841, + 880-2-48810-842
Fax. + 880-2- 9899-486, Email- office@wasteconcern.org
www.wasteconcern.org

CLIENT :

LAO PEOPLE'S DEMOCRATIC REPUBLIC (LAO PDR)
MINISTRY OF INFORMATION, CULTURE AND TOURISM

REV.	DATE	DESCRIPTION	DRN
R01	20.07.2020	PRELIMINARY ISSUE	

DESIGNED/DRAWN: _____

CHECKED: _____

APPROVED: _____

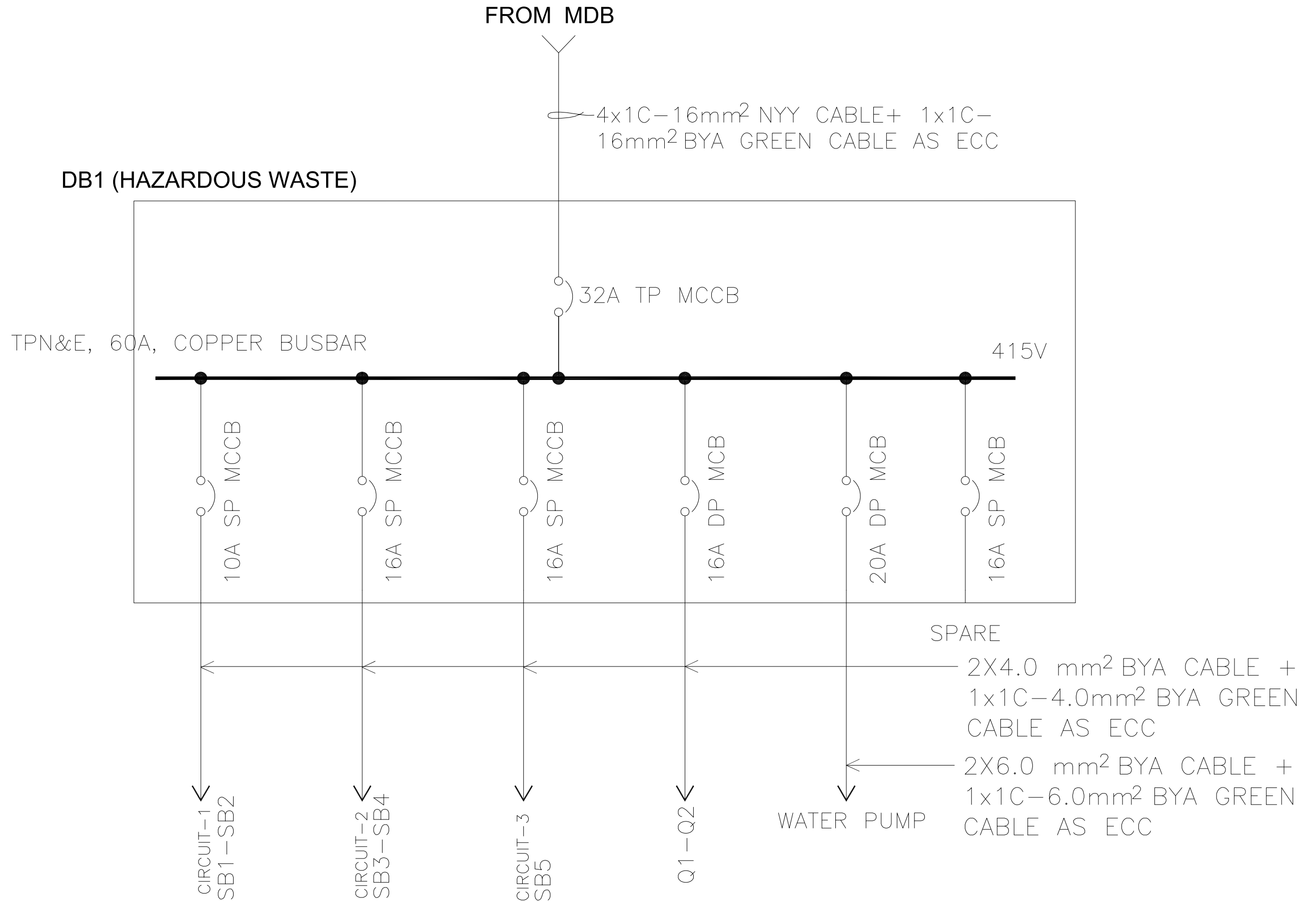
NAME OF PROJECT:
2ND GMS -TOURISM INFRASTRUCTURE FOR INCLUSIVE GROWTH
WORKS PACKAGE -TIIGP2-LAO-W04
Subproject V5: Vang Vieng Solid Waste Management Improvements

TITLE:
ELECTRICAL FITTINGS & CONDUIT LAYOUT
OF HAZARDOUS WASTEM STORAGE

DRAWING NO.: RAM-LAO-DED-W04-E-21

SHEET NO.: 00 OF 00
SCALE: _____
SHEET SIZE: A3

REV: R01 DATE: JULY 2020



LEAD CONSULTANT :



Hannemanns Alle 53
DK-2300 København S
Tlf. +45 5161 1000
Fax +45 5161 1001
www.ramboll.dk

SUB-CONSULTANT:



Waste Concern Consultants
Level- 4, House No.- 120/B, (Masjid Road) Road- 7
New DOHS Mohakhali Dhaka- 1207, Bangladesh
Tlf. + 880-2-48810-841, + 880-2-48810-842
Fax. + 880-2- 9899-486, Email- office@wasteconcern.org
www.wasteconcern.org

CLIENT :

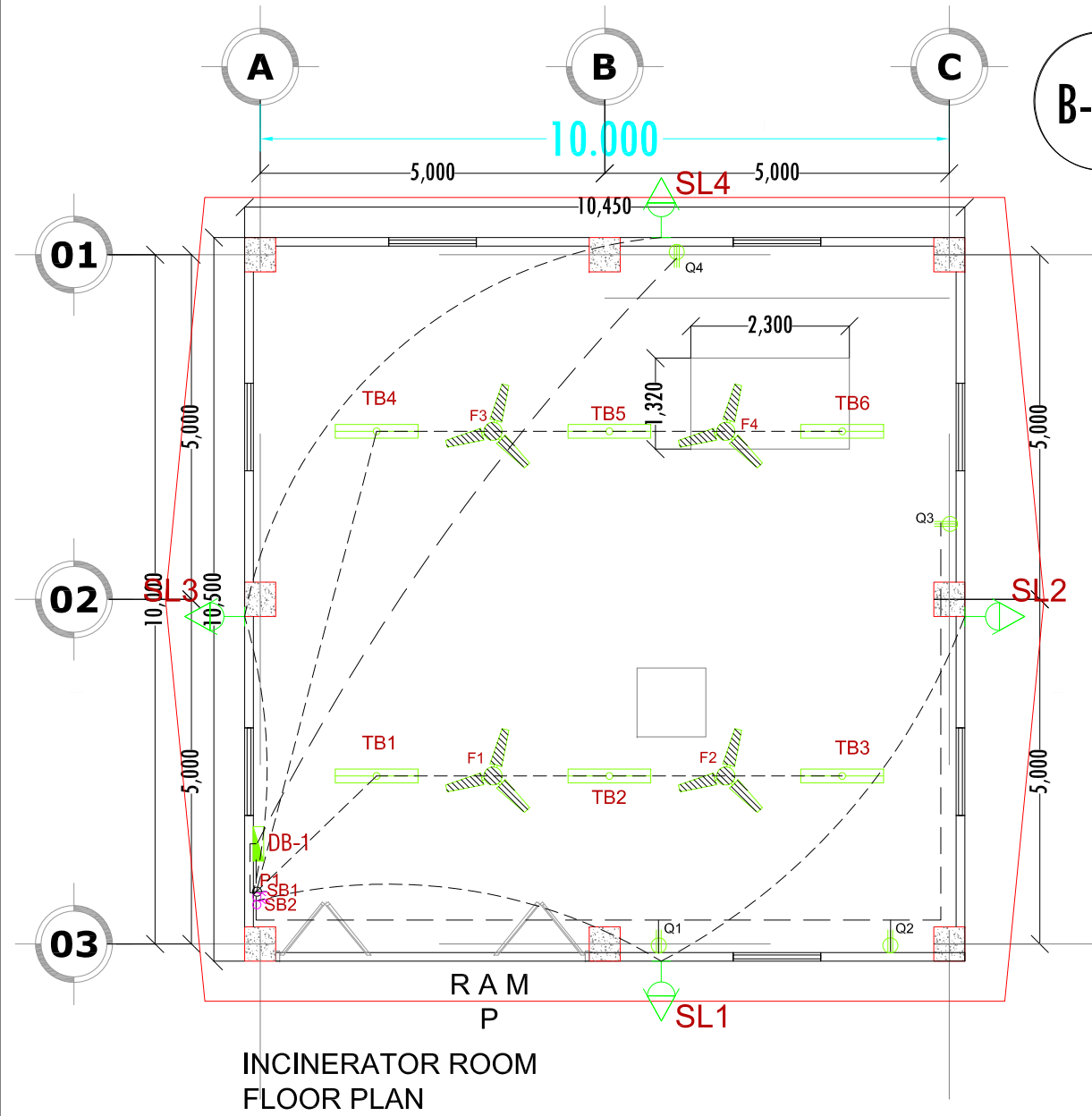


LAO PEOPLE'S DEMOCRATIC REPUBLIC (LAO PDR)
MINISTRY OF INFORMATION, CULTURE AND TOURISM

REV.	DATE	DESCRIPTION	DRN
R01	20.07.2020	PRELIMINARY ISSUE	

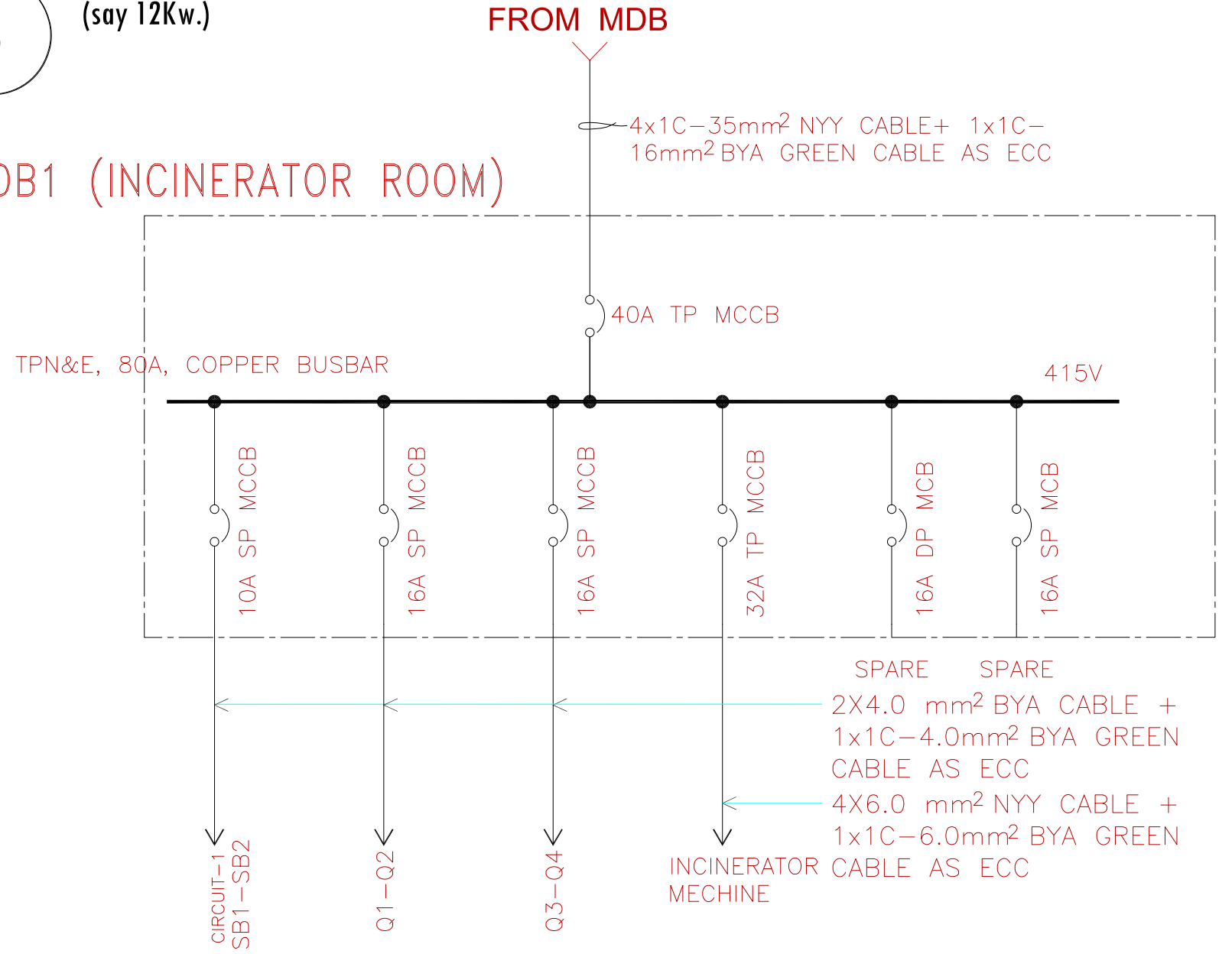
DESIGNED/DRAWN:	...
CHECKED:	...
APPROVED:	...

NAME OF PROJECT: 2ND GMS -TOURISM INFRASTRUCTURE FOR INCLUSIVE GROWTH WORKS PACKAGE -TIIGP2-LAO-W04 Subproject V5: Vang Vieng Solid Waste Management Improvements		SHEET NO.:	SHEET SIZE:
TITLE: CIRCUIT DIAGRAM OF HAZARDOUS WASTEM STORAGE		00 OF 00	A3
DRAWING NO.: RAM-LAO-DED-W04-E-22		REV:	DATE:
		R01	JULY 2020



Total Load 10.5 Kw
(say 12Kw.)

DB1 (INCINERATOR ROOM)



LEAD CONSULTANT :
RAMBOLL
Hannemanns Alle 53
DK-2300 København S
Tlf. +45 5161 1000
Fax +45 5161 1001
www.ramboll.dk

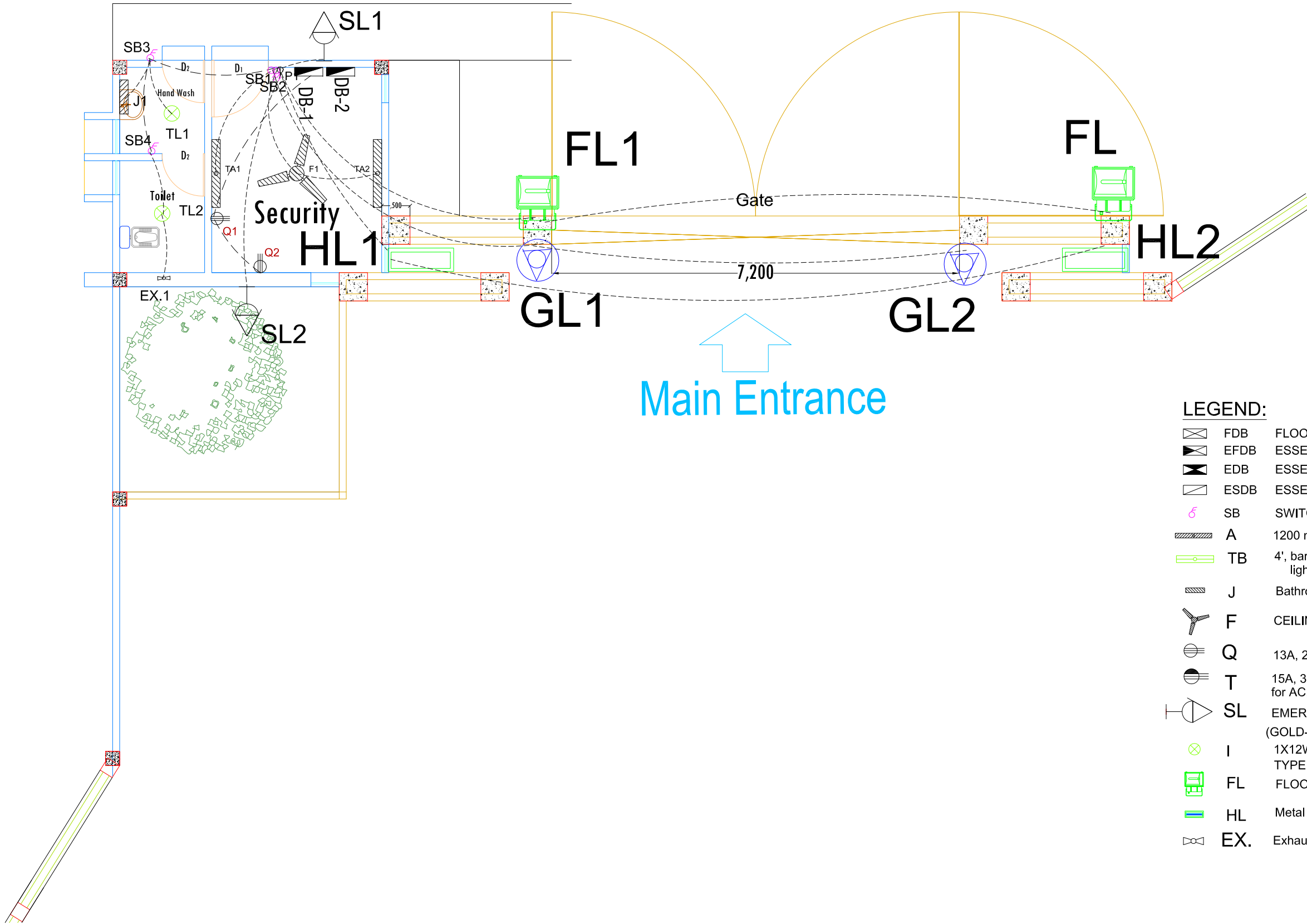
SUB-CONSULTANT:
Waste Concern Consultants
Level- 4, House No.- 120/B, (Masjid Road) Road- 7
New DOHS Mohakhali Dhaka- 1207, Bangladesh
Tlf. + 880-2-48810-841, + 880-2-48810-842
Fax. + 880-2- 9899-486, Email- office@wasteconcern.org
www.wasteconcern.org

CLIENT :
LAOS
LAO PEOPLE'S DEMOCRATIC REPUBLIC (LAO PDR)
MINISTRY OF INFORMATION, CULTURE AND TOURISM

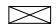





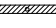


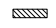






REV.	DATE	DESCRIPTION	DRN
R01	20.07.2020	PRELIMINARY ISSUE	

DESIGNED/DRAWN:	NAME OF PROJECT:	SHEET NO.:	SHEET SIZE:
CHECKED:	2ND GMS -TOURISM INFRASTRUCTURE FOR INCLUSIVE GROWTH	00	OF 00
APPROVED:	WORKS PACKAGE -TIIGP2-LAO-W04	SCALE:	A3
	Subproject V5: Vang Vieng Solid Waste Management Improvements		
	TITLE:	REV:	DATE:
	ELECTRICAL FITTINGS & CONDUIT LAYOUT	R01	JULY 2020
	OF INCINERATOR ROOM WITH CIRCUIT DIAGRAM		
	DRAWING NO.:		
	RAM-LAO-DED-W04-E-23		

B-7 Total Load 12.9 Kw
(say 15Kw.)



LEGEND:

-  FDB FLOOR DISTRIBUTION BOARD
-  EFDB ESSENTIAL FLOOR DISTRIBUTION BOARD
-  EDB ESSENTIAL DISTRIBUTION BOARD
-  ESDB ESSENTIAL SUB-DISTRIBUTION BOARD
-  SB SWITCH BOARD
-  A 1200 mm Long 18 W LED LIGHT
-  TB 4', bare chanel LED tube light fitting (Type-TB)
-  J Bathroom light fitting (Type-J)
-  F CEILING FAN (TYPE-F)
-  Q 13A, 250V, 3-PIN SWITCHED SOCKET
-  T 15A, 3pin, 230V switched socket for AC, Geyser, Kitchen (Type-T)
-  SL EMERGENCY SECURITY LIGHT POINT (GOLD-1432 30W)
-  I 1X12W, CEILING MOUNTED SURFACE TYPE LED LIGHT
-  FL FLOOD LIGHT POINT (50W)
-  HL Metal Halide or Halogen Lamp
-  EX Exhaust Fan

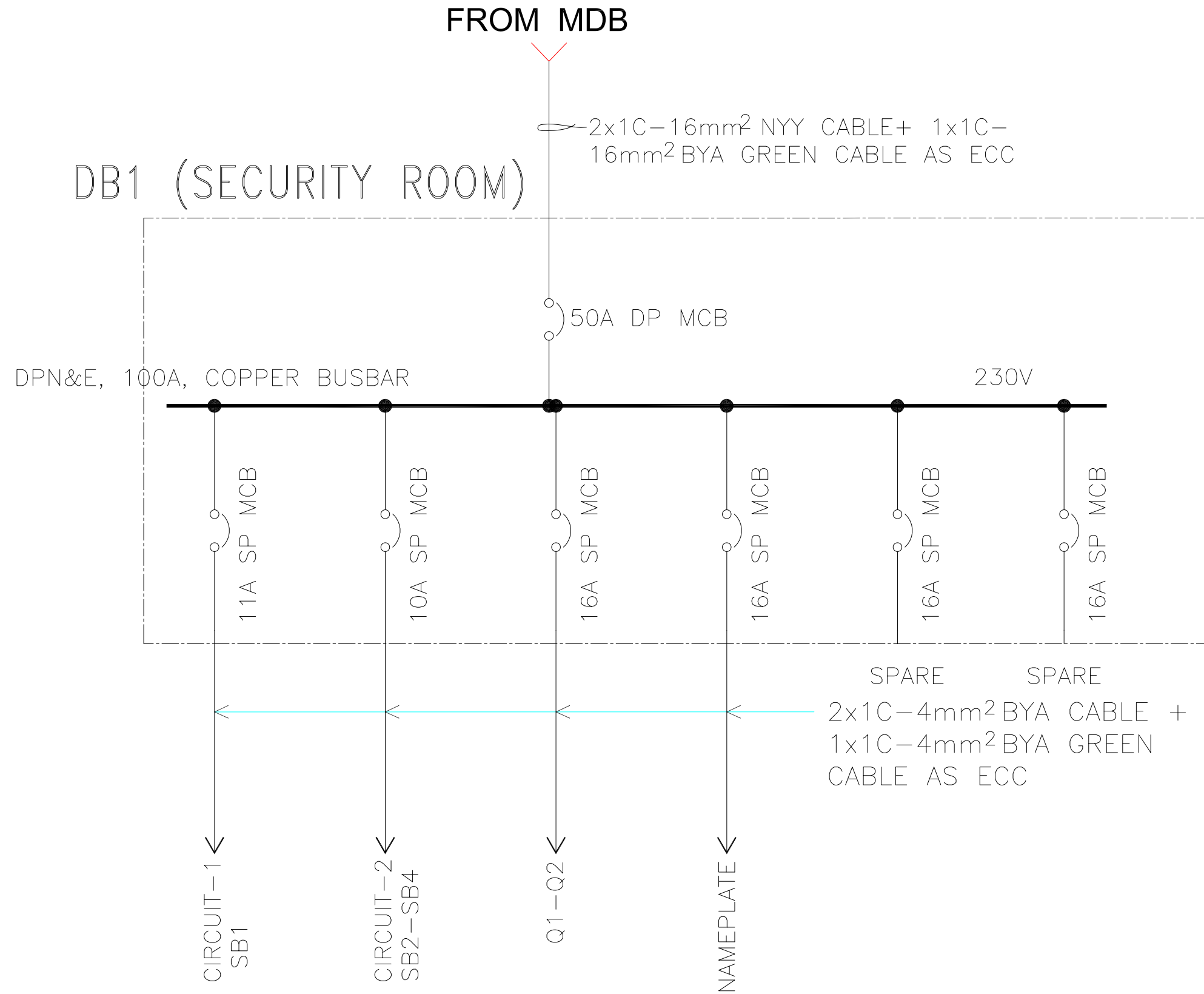
LEAD CONSULTANT :
RAMBOLL
Hannemanns Alle'53
DK-2300 København S
Tlf. +45 5161 1000
Fax +45 5161 1001
www.ramboll.dk

SUB-CONSULTANT:
Waste Concern Consultants
Level- 4, House No.- 120/B, (Masjid Road) Road- 7
New DOHS Mohakhali Dhaka- 1207, Bangladesh
Tlf. + 880-2-48810-841, + 880-2-48810-842
Fax. + 880-2- 9899-486, Email- office@wasteconcern.org
www.wasteconcern.org

CLIENT :
LAOS
LAO PEOPLE'S DEMOCRATIC REPUBLIC (LAO PDR)
MINISTRY OF INFORMATION, CULTURE AND TOURISM

REV.	DATE	DESCRIPTION	DRN
R01	20.07.2020	PRELIMINARY ISSUE	

DESIGNED/DRAWN:	NAME OF PROJECT: 2ND GMS -TOURISM INFRASTRUCTURE FOR INCLUSIVE GROWTH WORKS PACKAGE -TIIGP2-LAO-W04 Subproject V5: Vang Vieng Solid Waste Management Improvements
CHECKED:	TITLE: ELECTRICAL FITTINGS & CONDUIT LAYOUT OF SECURITY ROOM
APPROVED:	DRAWING NO.: RAM-LAO-DED-W04-E-24
SHEET NO.: 00 OF 00	SHEET SIZE: A3
SCALE:	REV: R01 DATE: JULY 2020



LEAD CONSULTANT :

RAMBOLL
 Hannemanns Alle 53
 DK-2300 København S
 Tlf. +45 5161 1000
 Fax +45 5161 1001
 www.ramboll.dk

SUB-CONSULTANT:

Waste Concern Consultants
 Level- 4, House No.- 120/B, (Masjid Road) Road- 7
 New DOHS Mohakhali Dhaka- 1207, Bangladesh
 Tlf. + 880-2-48810-841, + 880-2-48810-842
 Fax. + 880-2- 9899-486, Email- office@wasteconcern.org
 www.wasteconcern.org

CLIENT :

LAOS
 LAO PEOPLE'S DEMOCRATIC REPUBLIC (LAO PDR)
 MINISTRY OF INFORMATION, CULTURE AND TOURISM

REV.	DATE	DESCRIPTION	DRN
R01	20.07.2020	PRELIMINARY ISSUE	

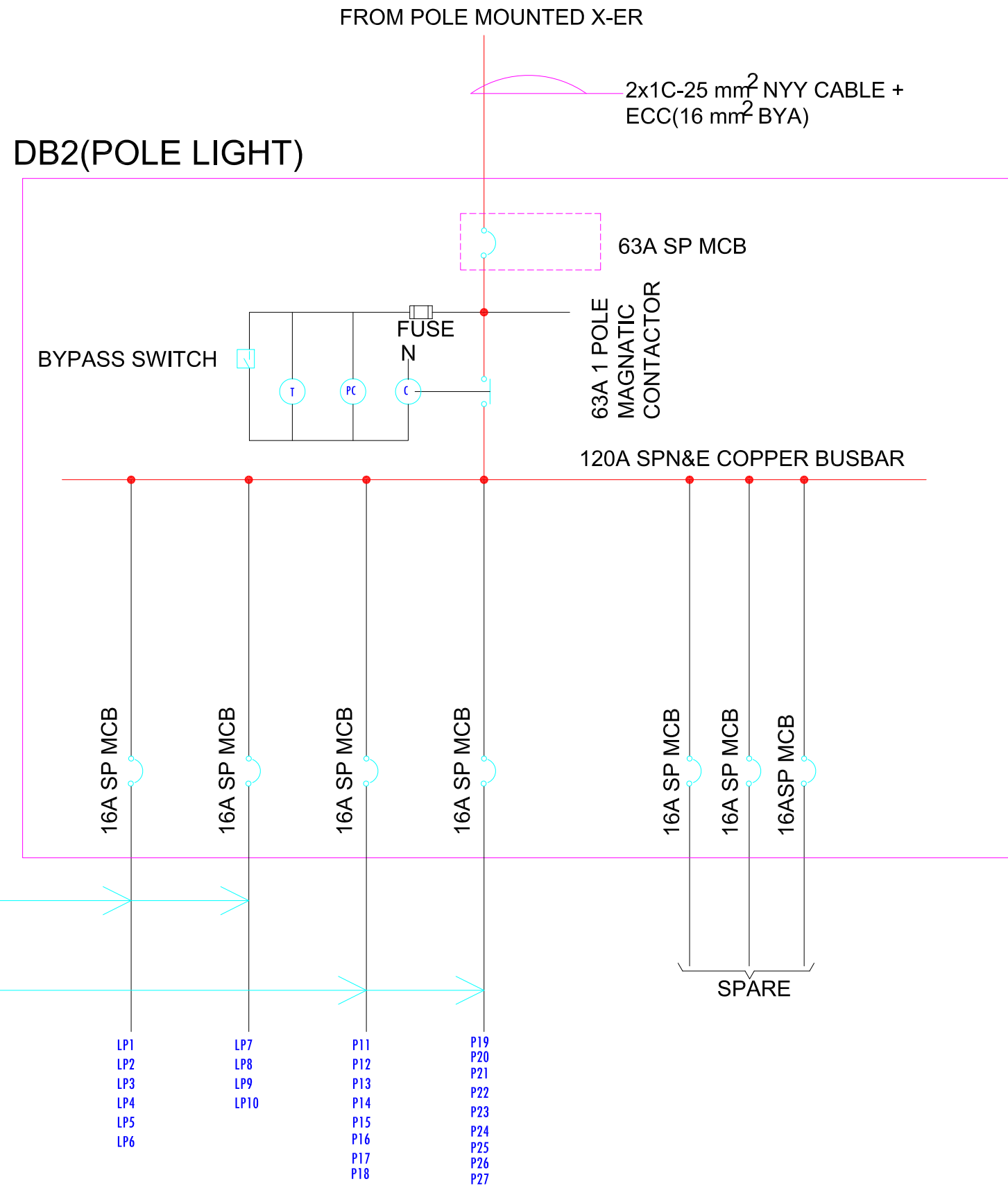
DESIGNED/DRAWN: /...
 CHECKED: /...
 APPROVED: /...

NAME OF PROJECT:
2ND GMS -TOURISM INFRASTRUCTURE FOR INCLUSIVE GROWTH
WORKS PACKAGE -TIIGP2-LAO-W04
Subproject V5: Vang Vieng Solid Waste Management Improvements

TITLE:
CIRCUIT DIAGRAM OF SECURITY ROOM

DRAWING NO.: RAM-LAO-DED-W04-E-25

SHEET NO.: 00 OF 00 SHEET SIZE: A3
 SCALE:
 REV: R01 DATE: JULY 2020



LEAD CONSULTANT :

RAMBOLL

Hannemanns Alle 53
DK-2300 København S
Tlf. +45 5161 1000
Fax +45 5161 1001
www.ramboll.dk

SUB-CONSULTANT:

Waste Concern Consultants

Level- 4, House No.- 120/B, (Masjid Road) Road- 7
New DOHS Mohakhali Dhaka- 1207, Bangladesh
Tlf. + 880-2-48810-841, + 880-2-48810-842
Fax. + 880-2- 9899-486, Email- office@wasteconcern.org
www.wasteconcern.org

CLIENT :

LAOS

LAO PEOPLE'S DEMOCRATIC REPUBLIC (LAO PDR)
MINISTRY OF INFORMATION, CULTURE AND TOURISM

REV.	DATE	DESCRIPTION	DRN
R01	20.07.2020	PRELIMINARY ISSUE	

DESIGNED/DRAWN: /...
CHECKED: /...
APPROVED: /...

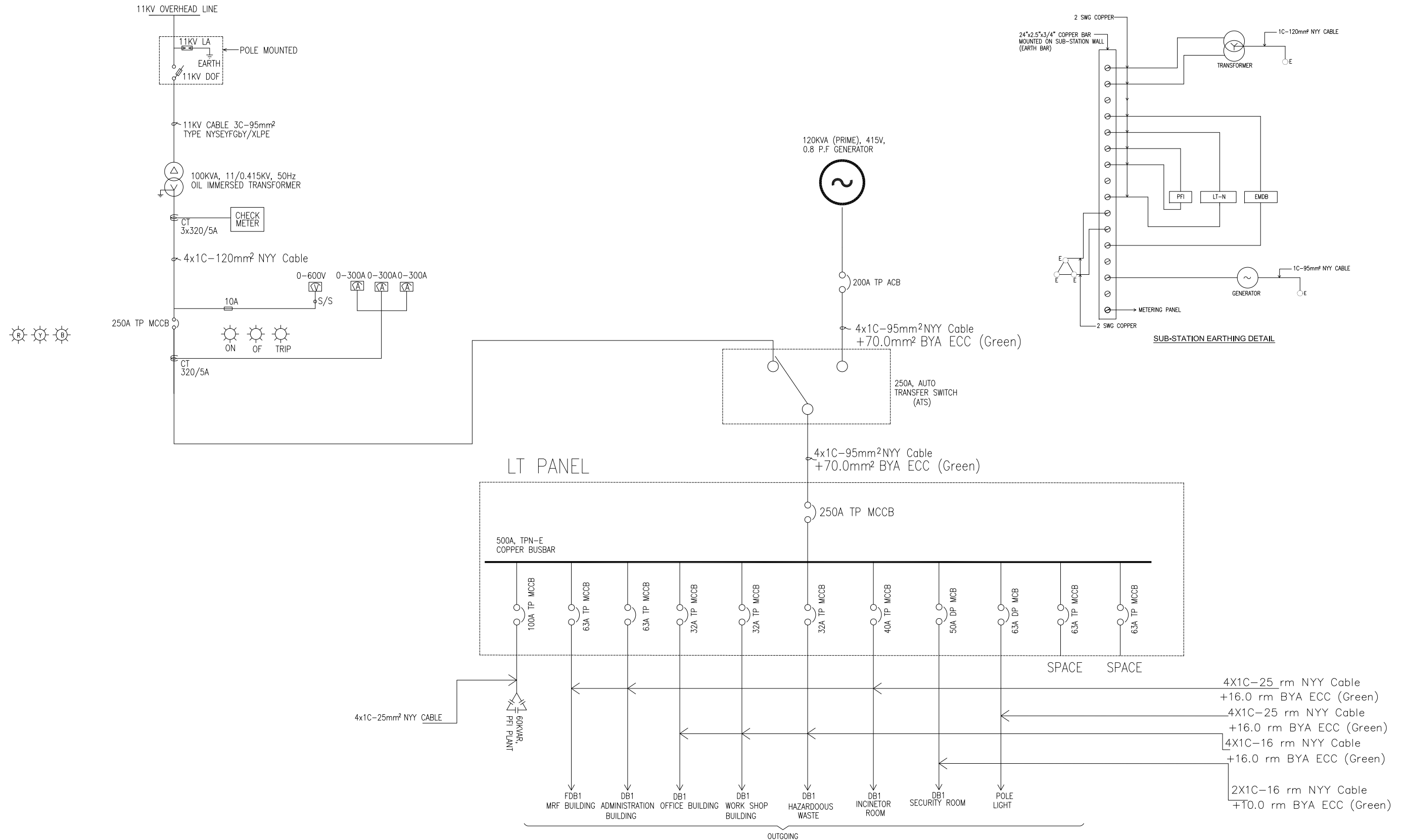
NAME OF PROJECT:
**2ND GMS -TOURISM INFRASTRUCTURE FOR INCLUSIVE GROWTH
WORKS PACKAGE -TIIGP2-LAO-W04
Subproject V5: Vang Vieng Solid Waste Management Improvements**

TITLE:
CIRCUIT DIAGRAM OF SECURITY ROOM AND PPOLE LIGHT.

DRAWING NO.: RAM-LAO-DED-W04-E-26

SHEET NO.: 00 OF 00
SCALE: /...
SHEET SIZE: A3

REV: R01 DATE: JULY 2020



LEAD CONSULTANT :

RAMBOLL
 Hannemanns Alle 53
 DK-2300 København S
 Tlf. +45 5161 1000
 Fax +45 5161 1001
 www.ramboll.dk

SUB-CONSULTANT:

Waste Concern Consultants
 Level- 4, House No.- 120/B, (Masjid Road) Road- 7
 New DOHS Mohakhali Dhaka- 1207, Bangladesh
 Tlf. + 880-2-48810-841, + 880-2-48810-842
 Fax. + 880-2- 9899-486, Email- office@wasteconcern.org
 www.wasteconcern.org

CLIENT :

LAOS
 LAO PEOPLE'S DEMOCRATIC REPUBLIC (LAO PDR)
 MINISTRY OF INFORMATION, CULTURE AND TOURISM

REV.	DATE	DESCRIPTION	DRN
R01	20.07.2020	PRELIMINARY ISSUE	

DESIGNED/DRAWN: /

CHECKED: /

APPROVED: /

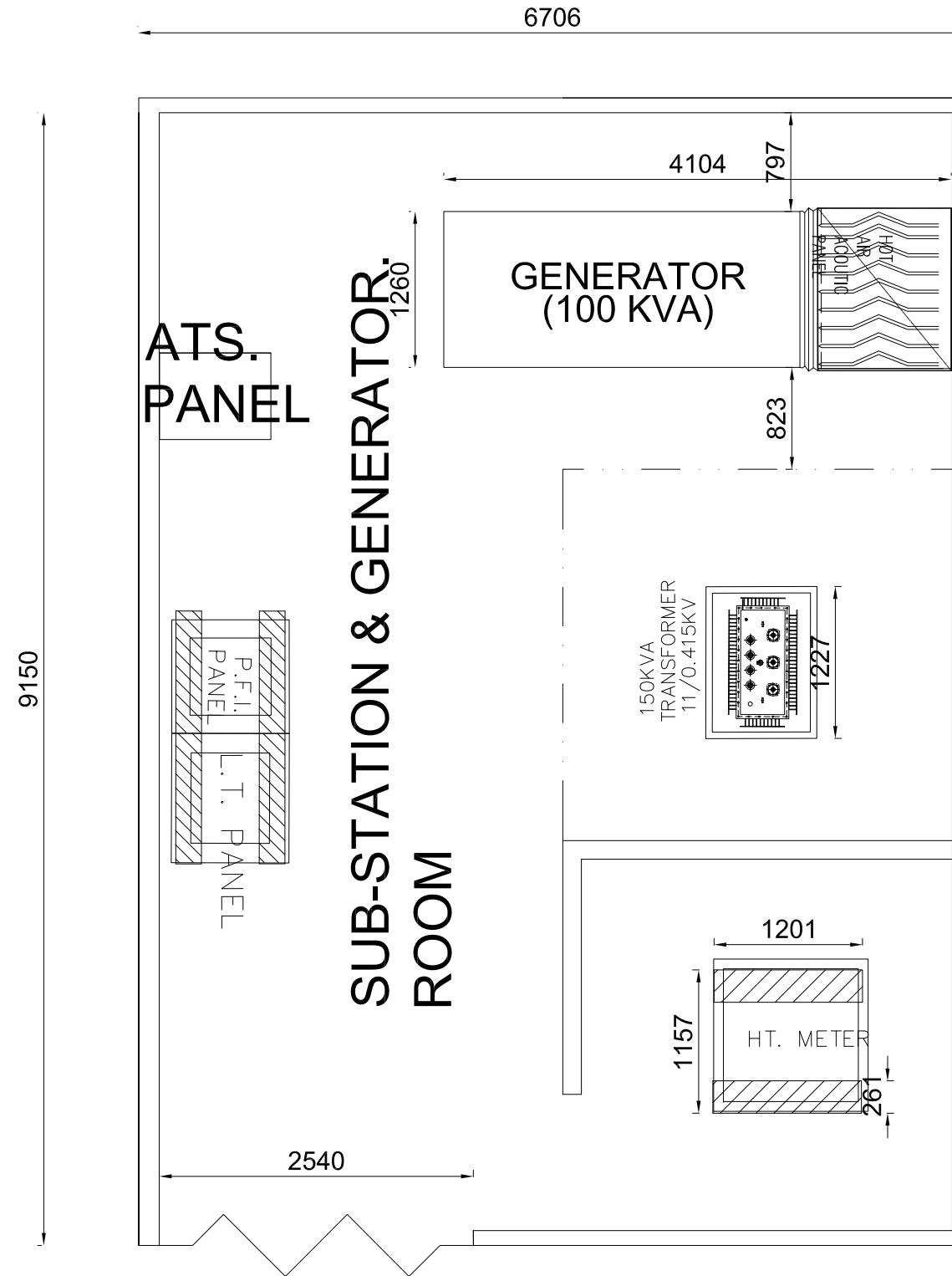
NAME OF PROJECT:
2ND GMS -TOURISM INFRASTRUCTURE FOR INCLUSIVE GROWTH
WORKS PACKAGE -TIIGP2-LAO-W04
Subproject V5: Vang Vieng Solid Waste Management Improvements

TITLE:
SINGLE LINE DIAGRAM OF SUB-STATION (100 KVA)

DRAWING NO.: RAM-LAO-DED-W04-E-27

SHEET NO.: 00 OF 00
 SHEET SIZE: A3
 SCALE: /

REV: R01
 DATE: JULY 2020



LEAD CONSULTANT :



Hannemanns Alle 53
DK-2300 København S
Tlf. +45 5161 1000
Fax +45 5161 1001
www.ramboll.dk

SUB-CONSULTANT:



Waste Concern Consultants
Level- 4, House No.- 120/B, (Masjid Road) Road- 7
New DOHS Mohakhali Dhaka- 1207, Bangladesh
Tlf. + 880-2-48810-841, + 880-2-48810-842
Fax. + 880-2- 9899-486, Email- office@wasteconcern.org
www.wasteconcern.org

CLIENT :

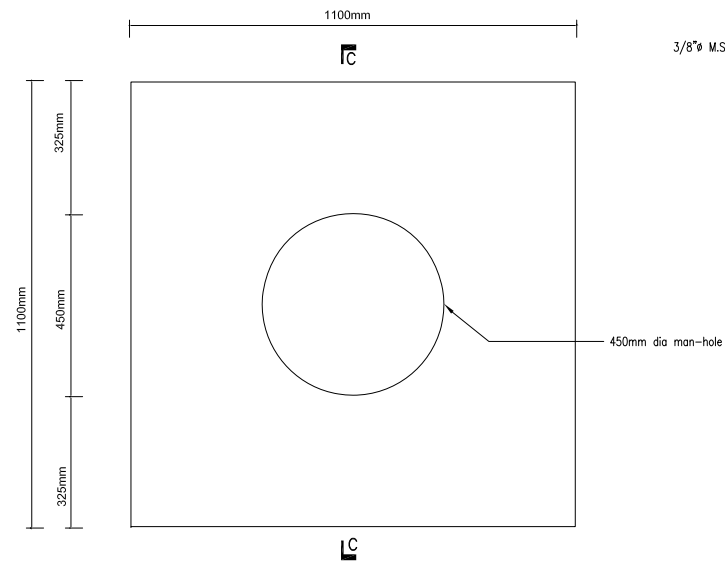


LAO PEOPLE'S DEMOCRATIC REPUBLIC (LAO PDR)
MINISTRY OF INFORMATION, CULTURE AND TOURISM

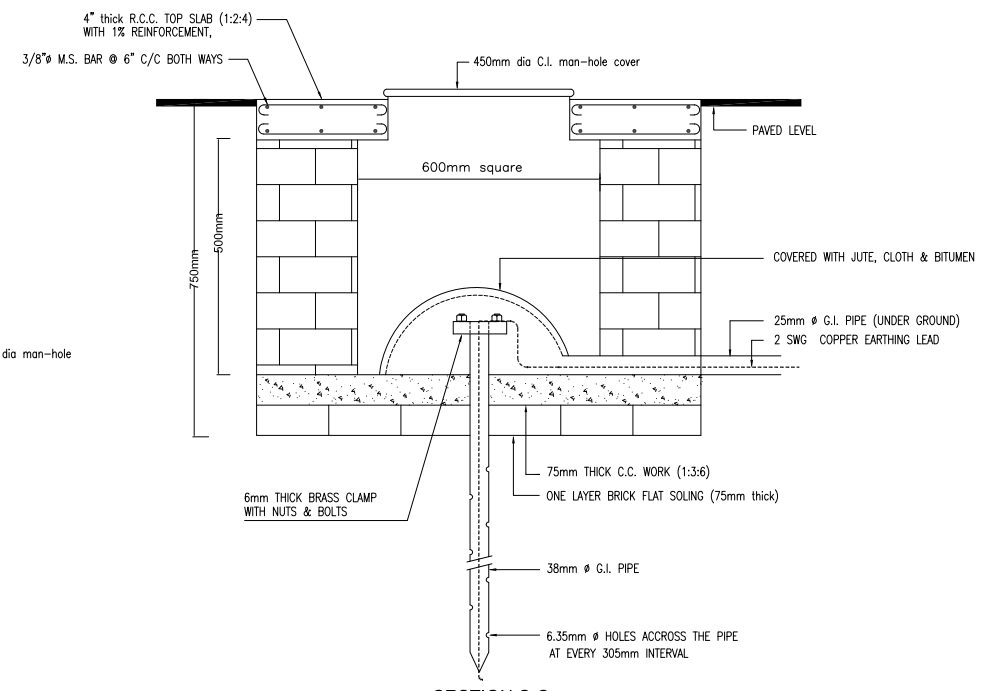
REV.	DATE	DESCRIPTION	DRN
R01	20.07.2020	PRELIMINARY ISSUE	

DESIGNED/DRAWN:
CHECKED:
APPROVED:

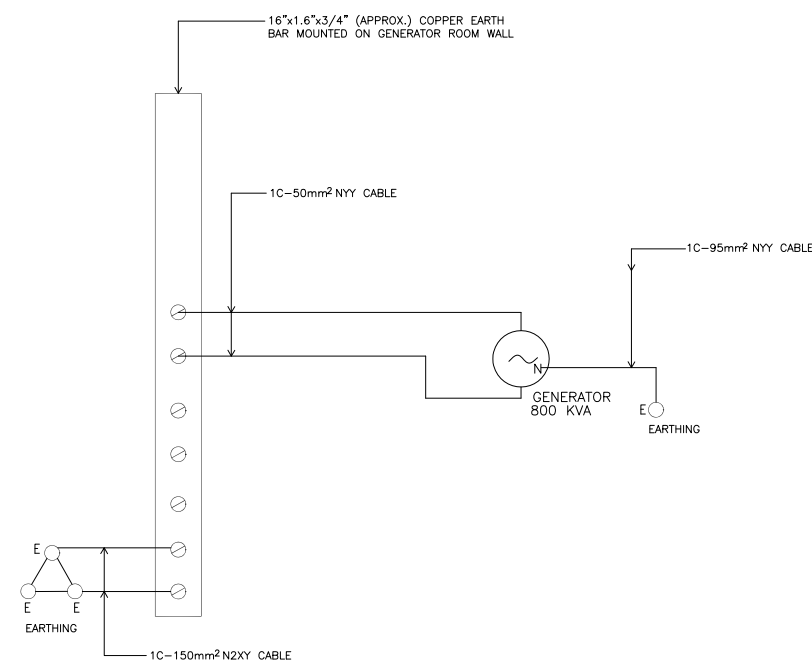
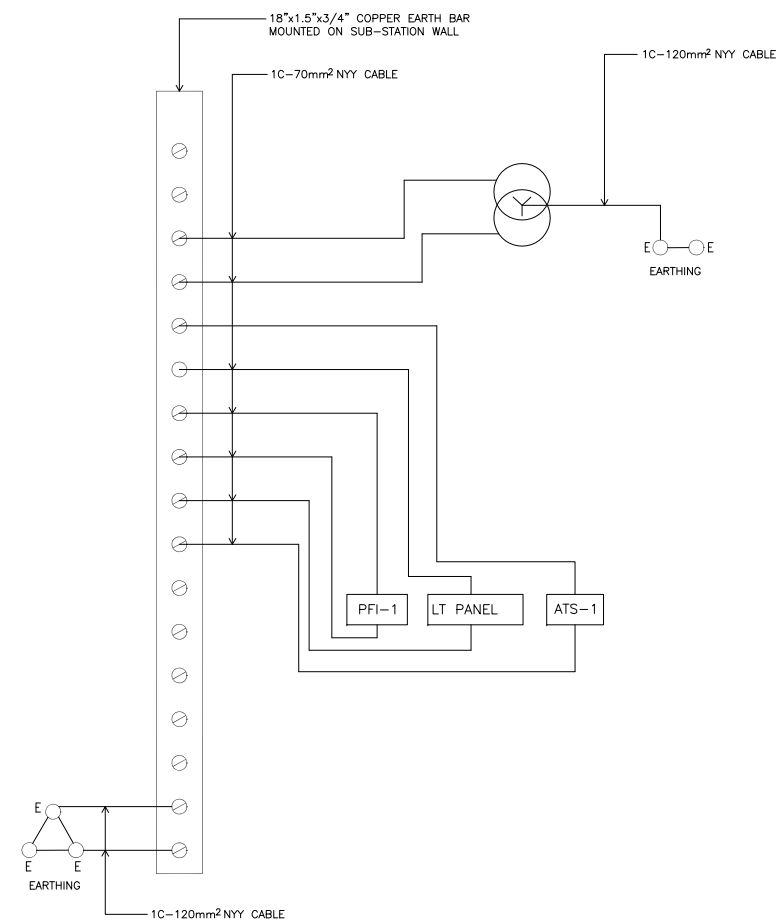
NAME OF PROJECT: 2ND GMS -TOURISM INFRASTRUCTURE FOR INCLUSIVE GROWTH WORKS PACKAGE -TIIGP2-LAO-W04 Subproject V5: Vang Vieng Solid Waste Management Improvements		SHEET NO.:	SHEET SIZE:
TITLE: SUB-STATION EQUIPMENT LAYOUT OF (100 KVA)		00 OF 00	A3
DRAWING NO.: RAM-LAO-DED-W04-E-28		REV:	DATE:
		R01	JULY 2020



PLAN OF EARTH INSPECTION PIT
(NOT TO SCALE)



SECTION C-C
(NOT TO SCALE)



LEAD CONSULTANT :



Hannemanns Alle 53
DK-2300 København S
Tlf. +45 5161 1000
Fax +45 5161 1001
www.ramboll.dk

SUB-CONSULTANT:



Waste Concern Consultants
Level- 4, House No.- 120/B, (Masjid Road) Road- 7
New DOHS Mohakhali Dhaka- 1207, Bangladesh
Tlf. + 880-2-48810-841, + 880-2-48810-842
Fax. + 880-2- 9899-486, Email- office@wasteconcern.org
www.wasteconcern.org

CLIENT :



LAO PEOPLE'S DEMOCRATIC REPUBLIC (LAO PDR)
MINISTRY OF INFORMATION, CULTURE AND TOURISM

REV.	DATE	DESCRIPTION	DRN
R01	20.07.2020	PRELIMINARY ISSUE	

DESIGNED/DRAWN: /
CHECKED: /
APPROVED: /

NAME OF PROJECT:
2ND GMS -TOURISM INFRASTRUCTURE FOR INCLUSIVE GROWTH
WORKS PACKAGE -TIIGP2-LAO-W04
Subproject V5: Vang Vieng Solid Waste Management Improvements

TITLE:
EARTHING DETAILS OF SUB-STATION AND GENERATOR.

DRAWING NO.: RAM-LAO-DED-W04-E-29

SHEET NO.: 00 OF 00
SHEET SIZE: A3
SCALE: /

REV: R01 DATE: JULY 2020

LAO PEOPLE'S DEMOCRATIC REPUBLIC (LAO PDR)



MINISTRY OF INFORMATION, CULTURE AND TOURISM

G0599-LAO: 2ND GMS TOURISM INFRASTRUCTURE FOR INCLUSIVE GROWTH PROJECT

**BIDDING DOCUMENT FOR PROCUREMENT OF
WORKS PACKAGE: TIIGP2-LAO-W04 VANG VIENG LANDFILL IMPROVEMENTS**

Subproject V5: Vang Vieng Solid Waste Management Improvements

DETAILED PLUMBING WORK DRAWING

JULY, 2020

LEAD CONSULTANT :

RAMBOLL

Hannemanns Alle'53
DK-2300 København S
Tlf. +45 5161 1000
Fax +45 5161 1001
www.ramboll.dk

SUB-CONSULTANT:



Waste Concern Consultants

Level- 4, House No.- 120/B, (Masjid Road) Road- 7
New DOHS Mohakhali Dhaka- 1207, Bangladesh
Tlf. + 880-2-48810-841, + 880-2-48810-842
Fax. + 880-2- 9899-486, Email- office@wasteconcern.org
www.wasteconcern.org

DRAWING LIST

SL. NO.	SHEET NO.	DRAWING TITLE
01	P-01	PLUMBING AND SANITARY DRAWING LIST
02	P-02	PLUMBING AND SANITARY LEGEND
03	P-03	LAYOUT PLAN OF WATER SUPPLY LINE FOR DIFFERENT BUILDING FROM OHWT , LOCATION OF SEPTIC TANK , DEEPTUBE WELL AND WASTE WATER DISPOSAL SYTEM.
MATERIAL RECOVERY FACILITY (MRF) BUILDING		
04	P-04	SOIL AND WASTE WATER DISPOSAL SYSTEM FOR TOILET BLOCK AT GROUND FLOOR
05	P-05	WATER SUPPLY SYSTEM FOR TOILET BLOCK AT GROUND FLOOR
06	P-06	RAIN WATER DISPOSAL SYSTEM FOR ROOF .
WEIGHING BRIDGE OFFICE BUILDING		
07	P-07	SOIL AND WASTE WATER DISPOSAL SYSTEM FOR TOILET BLOCK AT GROUND FLOOR
08	P-08	WATER SUPPLY SYSTEM FOR TOILET BLOCK AT GROUND FLOOR
09	P-09	RAIN WATER DISPOSAL SYSTEM FOR ROOF .
ADMINISTRATION BUILDING		
10	P-10	SOIL AND WASTE WATER DISPOSAL SYSTEM FOR TOILET BLOCK AT GROUND FLOOR
11	P-11	WATER SUPPLY SYSTEM FOR TOILET BLOCK AT GROUND FLOOR
12	P-12	RAIN WATER DISPOSAL SYSTEM FOR ROOF .
WORKSHOP/SERVICE BUILDING		
13	P-13	SOIL AND WASTE WATER DISPOSAL SYSTEM FOR TOILET BLOCK AT GROUND FLOOR
14	P-14	WATER SUPPLY SYSTEM FOR TOILET BLOCK AT GROUND FLOOR
15	P-15	RAIN WATER DISPOSAL SYSTEM FOR ROOF .
HAZARDOUS WASTE STOEGE		
16	P-16	SOIL AND WASTE WATER DISPOSAL SYSTEM FOR TOILET BLOCK AT GROUND FLOOR
17	P-17	WATER SUPPLY SYSTEM FOR TOILET BLOCK AT GROUND FLOOR
18	P-18	RAIN WATER DISPOSAL SYSTEM FOR ROOF .
GUARD HOUSE		
19	P-19	SOIL AND WASTE WATER DISPOSAL SYSTEM FOR TOILET BLOCK AT GROUND FLOOR
20	P-20	WATER SUPPLY SYSTEM FOR TOILET BLOCK AT GROUND FLOOR
21	P-21	RAIN WATER DISPOSAL SYSTEM FOR ROOF .
22	P-22	DETAILS OF SHOWER
23	P-23	DETAILS OF INSPECTION PIT
24	P-24	DETAILS OF INDIAN PAN
25	P-25	DETAILS OF BASIN, FLOOR TRAP AND COMMODE(WATER CLOSET)
26	P-26	FITTING OF UPVC PIPE
27	P-27	DETAILS OF SEPTIC TANK
INCINERATOR ROOM		
28	P-28	RAIN WATER DISPOSAL SYSTEM FOR ROOF .
OTHERS		
29	P-29	WATER SUPPLY SYSTEM FOR BUILDING FROM DEEPTUBE WELL TO OHWT TO BUILDING,SPRAYING WATER SYSTEM TO DRY WASTE AT CELL 1 LAYOUT MASTER PLAN
30	P-30	SOIL & WASTE WATER FOR INDIVIDUAL BUILDING AND SOIL WATER(ONLY) & WASTE WATER COMBINED LINE SYSTEM LAYOUT MASTER PLAN RAIN WATER DISPOSAL SYSTEM FOR ROOF .
30	P-30	SOIL & WASTE WATER FOR INDIVIDUAL BUILDING AND SOIL WATER(ONLY) & WASTE WATER COMBINED LINE SYSTEM LAYOUT MASTER PLAN RAIN WATER DISPOSAL SYSTEM FOR ROOF .
31	P-31	LEACHATE WATER PIT: PLAN & SECTION A-A

LEAD CONSULTANT :



Hannemanns Alle 53
DK-2300 København S
Tlf. +45 5161 1000
Fax +45 5161 1001
www.ramboll.dk

SUB-CONSULTANT:



Waste Concern Consultants

Level- 4, House No.- 120/B, (Masjid Road) Road- 7
New DOHS Mohakhali Dhaka- 1207, Bangladesh
Tlf. + 880-2-48810-841, + 880-2-48810-842
Fax. + 880-2- 9899-486, Email- office@wasteconcern.org
www.wasteconcern.org

CLIENT :



LAO PEOPLE'S DEMOCRATIC REPUBLIC (LAO PDR)
MINISTRY OF INFORMATION, CULTURE AND TOURISM

REV.	DATE	DESCRIPTION	DRN
RO1	20.07.2020	PRELIMINARY ISSUE	

DESIGNED/DRAWN:

CHECKED:

APPROVED:

NAME OF PROJECT:

2ND GMS –TOURISM INFRASTRUCTURE FOR INCLUSIVE GROWTH
WORKS PACKAGE -TIIGP2-LAO-W04
Subproject V5: Vang Vieng Solid Waste Management Improvements

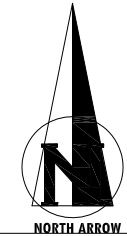
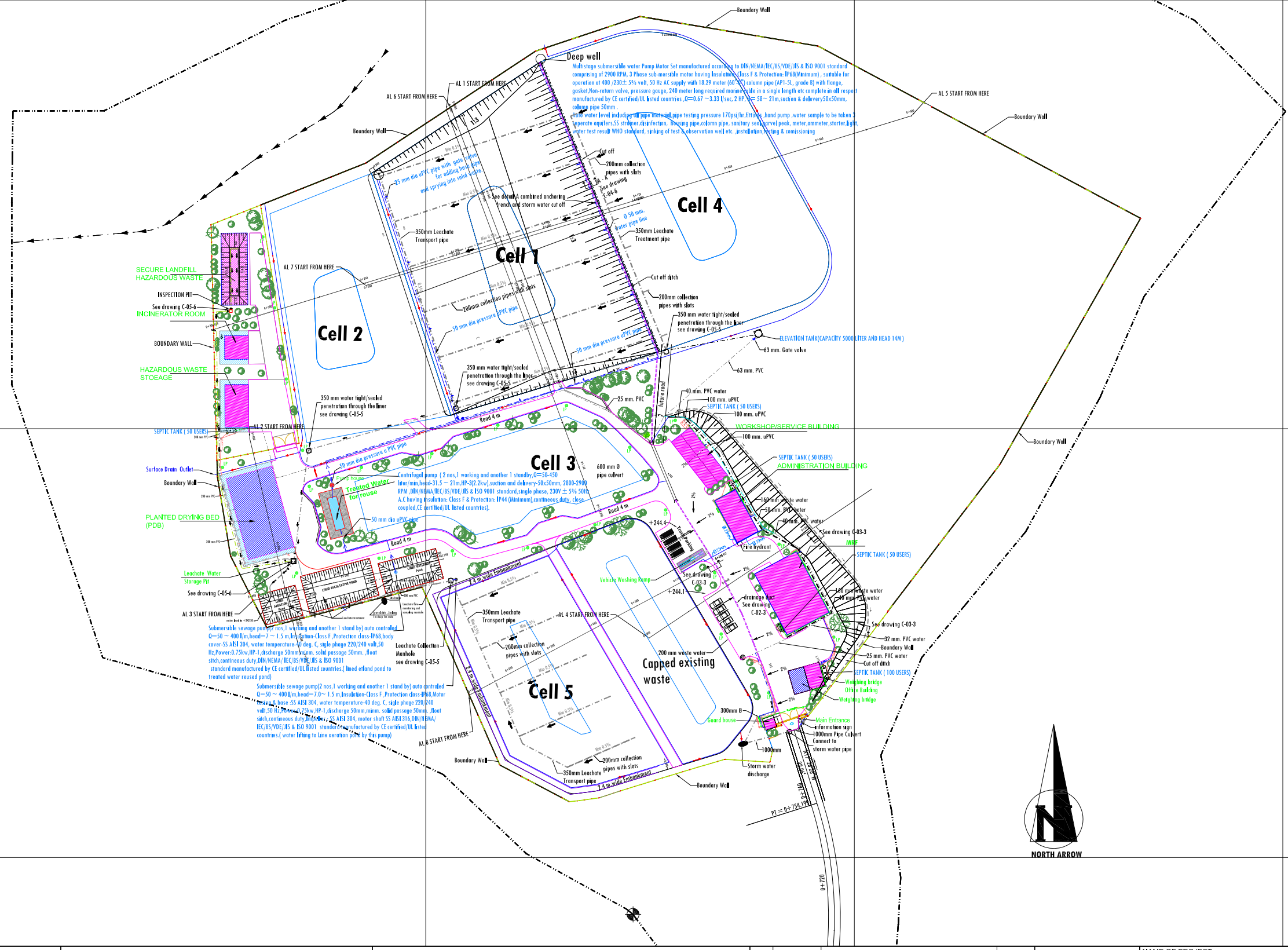
TITLE:
Plumbing & Sanitary Drawing list

DRAWING NO.: RAM-LAO-DED-W04-P-01

SHEET NO.: 00 OF 00
SHEET SIZE: A3

SCALE:

REV: R01 DATE: JULY 2020



LEAD CONSULTANT :

RAMBOLL

Hannemanns Alle 53
DK-2300 København S
Tlf. +45 5161 1000
Fax +45 5161 1001
www.ramboll.dk

SUB-CONSULTANT:

Waste Concern Consultants

Level- 4, House No.- 120/B, (Masjid Road) Road-7
New DOHS Mohakhali Dhaka- 1207, Bangladesh
Tlf. + 880-2-48810-841, + 880-2-48810-842
Fax. + 880-2- 9899-486, Email- office@wasteconcern.org
www.wasteconcern.org

CLIENT :

LAOS

LAO PEOPLE'S DEMOCRATIC REPUBLIC (LAO PDR)
MINISTRY OF INFORMATION, CULTURE AND TOURISM

REV.	DATE	DESCRIPTION	DRN
RO1	20.07.2020	PRELIMINARY ISSUE	

DESIGNED/DRAWN: /

CHECKED: /

APPROVED: /

NAME OF PROJECT:
**2ND GMS -TOURISM INFRASTRUCTURE FOR INCLUSIVE GROWTH
WORKS PACKAGE -TIIG2-LAO-W04
Subproject V5: Vang Vieng Solid Waste Management Improvements**

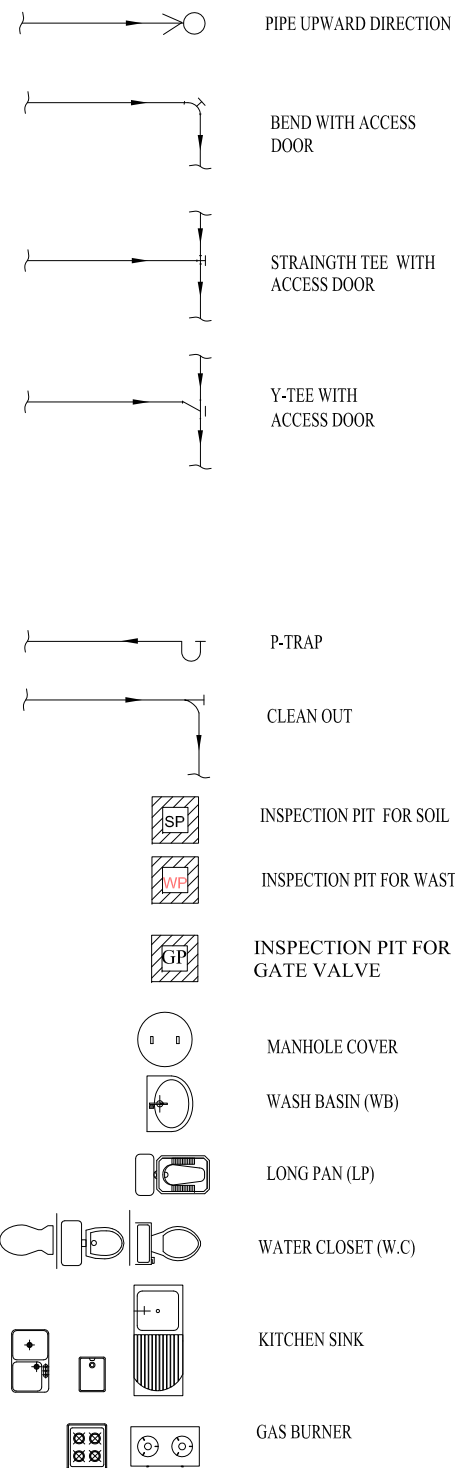
TITLE:
LAO-VV-G-05(RIV.) LAYOUT MASTER PLAN

DRAWING NO.: RAM-LAO-DED-W04-PS-01

SHEET NO.: 00 OF 00
SCALE: /
SHEET SIZE: A3

REV: R01
DATE: JULY 2020

LEGEND : (SEWERAGE & DRAINAGE) :



ABBREVIATION

(SEWERAGE & DRAINAGE) :

01.	C.O.	CLEAN OUT
02.	F.D.	FLOOR DRAIN
03.	F.T.	FLOOR TRAP
04.	MP.	MASTER PIT
05.	K.W.	KITCHEN WASTE
06.	R.W.	RAIN WATER
07.	SS.	SOIL STACK
08.	VS.	VENT STACK
09.	WP.	WASTE WATER PIT
10.	W.W.P.	WASTE WATER PIPE
11.	THRU.	THROUGH
12.	uPVC.	UNPLASTICIZED POLYVINYL CHLORIDE
13.	RWP:	RAIN & WASTE WATER PIT
14.	WWL:	WASTE WATER LINE
15.	SP:	SOIL WATER PIT

[Symbol]	TOWEL RAIL
[Symbol]	TOILET PAPER HOLDER
[Symbol]	STANDING URINAL
[Symbol]	SHOWER TRAY

GENERAL NOTE :

MATERIALS

- ALL PIPE AT TOILET BLOCK WILL BE uPVC .
- FOR TWO STORIED BUILDING, AT VERTICAL DROP LINE PIPE WILL BE uPVC AND AT ROOF, ALL WATER DISTRIBUTION PIPE WILL BE GI.
- AT UNDER GROUD , COMMON WATER DISTRIBUTION LINE WILL BE uPVC PRESSURE PIPE.
- FOR DOMESTIC PUMP SUCTION & OUTLET PIPE MAY BE GI.
- FOR DRAINAGE , LEACHATE WATER DRAIN & PUMP OUTSET PIPE WILL BE HDPE.
- FOR SPAYING OF WATER INTO DRY WASTE AT CELL , SUCTION AND OUT LET PIPE OF PUMP WILL BE GI.
- ALL SOIL & WASTE WATER PIPE WILL BE uPVC FOR VERTICAL AND HORIZONTAL LINE AND ALSO AT UNDER GROUND PURPOSE.
- ALL FITTINGS AND FIXTURES WILL BE BEST QUALITY LOCAL MADE.

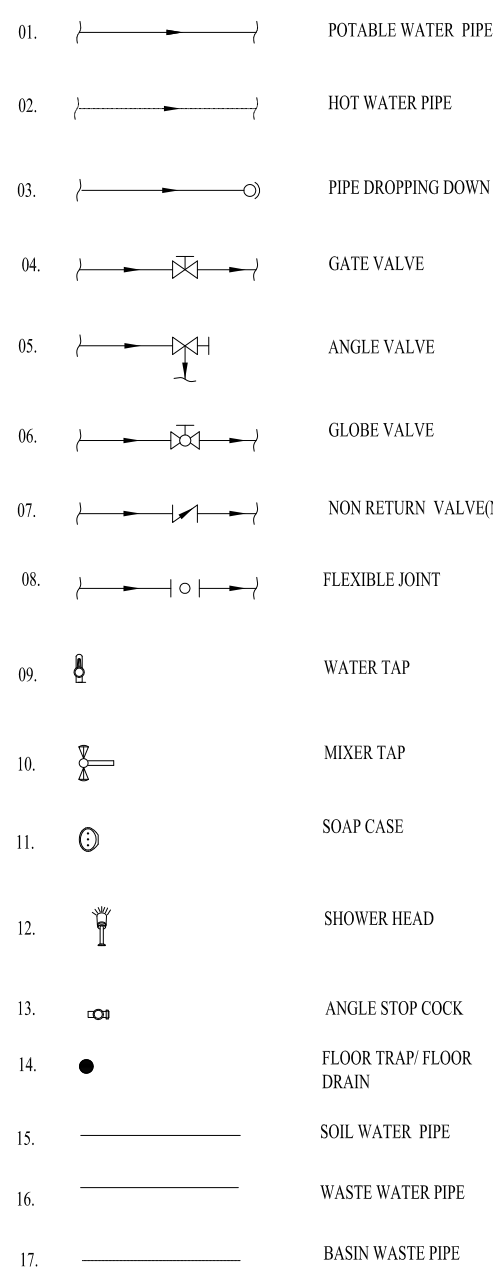
- ALL HORIZONTAL DRAINAGE PIPES SHALL BE LAID AT A SLOPE OF FOLOWING GRADIENTS:-

SIZE OF PIPE	SOIL PIPE, WASTE & RAIN WATER PIPE
< or = 160MM dia	1 in 100
> 160MM dia	1 in 200
- INSTALLATION LEVEL OF PLUMBING FIXTURES
 PLUMBING FIXTURES SHALL HAVE THE FOLLOWING HEIGHT MEASURED FROMM FINISHED FLOOR LEVEL EXCEPT WHERE INDICATED INF THE DRAWING OR INSTRUCTED.

NAME OF FIXTURES

NAME OF FIXTURES	HEIGHT FROM FLOOR
1. WASH BASIN (TOP)	825mm
2. GLASS SHELF WITH RAIL (SHELF LEVEL)	1050
3. MIRROR (BOTTOM LEVEL)	1250
4. HEIGHT OF MOVING SHOWER	1950
5. STOP COCK FOR SHOWER (CENTER LINE)	1100
6. BIB COCK BELOW SHOWER (CENTER LINE)	675
7. SOAP HOLDER	825
8. TOWEL RAIL	1050
9. LOW DOWN CISTERN (TOP LEVEL)	825
10. TOILET PAPER HOLDER (RAIL)	750
11. BIB COCK NEAR W.C. (CENTER LINE)	400
12. KITCHEN SINK (TOP)	900
13. C/L dDISTANCE OF SHOWER/SINK	138
14. ANGLE STOP COCK FOR BASIN/COMMODE	525/400
15. DISTANCE OF BIB COCK FROM COMMODE CENTRE(RIGHT)	400
16. DISTANCE OF HOLE FROM BACK WALL(COMMODE)	238/275/88
17. DISTANCE OF HOLE FROM BACK WALL(LONG PAN)	250

LEGENDS : (WATER SUPPLY) :



ABBREVIATION : (WATER SUPPLY) :

01.	C.W.P.	COLD WATER PIPE
02.	F.C.	FALSE CEILING
03.	F.D.	FLOOR DRAIN
04.	F.F.L.	FINISHED FLOOR LEVEL
05.	F.T.	FLOOR TRAP
06.	G.I.	GALVANIZING IRON
07.	H.W.P.	HOT WATER PIPE
08.	P.S.	PRESSURE SWITCH
09.	Ø.	DIAMETER
10.	UV	ULTRA VIOLET
11.	W.H.	WATER HEATER
12.	W.S.	WATER SUPPLY

GENERAL NOTE : (WATER SUPPLY) :

ALL WASH BASINS & SINKS SHEEL BE PROVIDED WITH BOTTLE TRAP

LEAD CONSULTANT :



Hannemanns Alle 53
DK-2300 København S
Tlf. +45 5161 1000
Fax +45 5161 1001
www.ramboll.dk

SUB-CONSULTANT:



Waste Concern Consultants
Level- 4, House No.- 120/B, (Masjid Road) Road- 7
New DOHS Mohakhali Dhaka- 1207, Bangladesh
Tlf. + 880-2-48810-841, + 880-2-48810-842
Fax. + 880-2- 9899-486, Email- office@wasteconcern.org
www.wasteconcern.org

CLIENT :



LAO PEOPLE'S DEMOCRATIC REPUBLIC (LAO PDR)
MINISTRY OF INFORMATION, CULTURE AND TOURISM

REV.	DATE	DESCRIPTION	DRN
RO1	20.07.2020	PRELIMINARY ISSUE	

DESIGNED/DRAWN:

CHECKED:

APPROVED:

NAME OF PROJECT:

**2ND GMS -TOURISM INFRASTRUCTURE FOR INCLUSIVE GROWTH
WORKS PACKAGE -TIIGP2-LAO-W04**

Subproject V5: Vang Vieng Solid Waste Management Improvements

TITLE: Plumbing & Sanitary Legend

DRAWING NO.: RAM-LAO-DED-W04-P-02

SHEET NO.: 00 OF 00
SCALE: A3

REV: R01 DATE: JULY 2020

1. MATERIALS:

ALL PIPE AT TOILET BLOCK WILL BE cPVC PIPE.

ALL SOIL, RAIN WATER & WASTE WATER PIPE WILL BE uPVC FOR VERTICAL AND HORIZONTAL LINE AND ALSO AT UNDER GROUND PURPOSE.

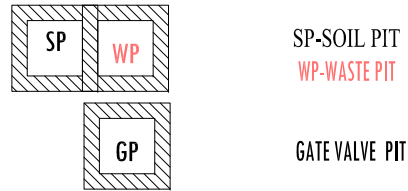
ALL FITTINGS AND FIXTURES WILL BE BEST QUALITY LOCAL MADE.

2. SLOPE: ALL HORIZONTAL DRAINAGE PIPES SHALL BE LAID AT A SLOPE OF FOLLOWING GRADIENTS:-

SIZE OF PIPE	SOIL PIPE, WASTE & RAIN WATER PIPE
< or = 160MM dia	1 in 100
> 160MM dia	1 in 200

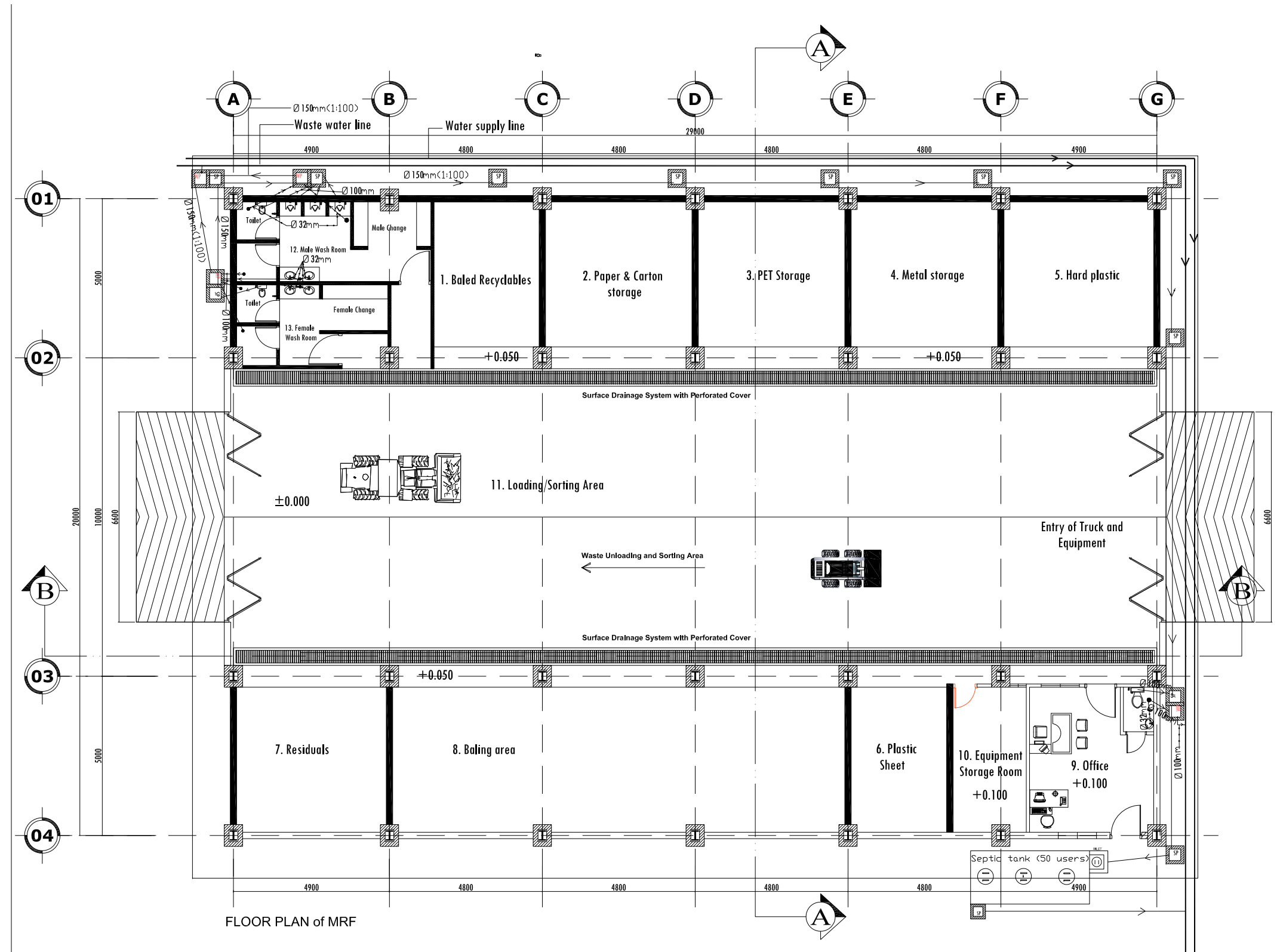
3. LINES: WASTE WATER LINE _____
SOIL WATER LINE- _____
BASIN WASTE LINE- _____

4. PIT:



5. WATER SUPPLY LINE

COLD WATER LINE
WATER LINE DOWN
WATER LINE UP
GATE VALVE



LEAD CONSULTANT :
RAMBOLL
Hannemanns Alle 53
DK-2300 København S
Tlf. +45 5161 1000
Fax +45 5161 1001
www.ramboll.dk

SUB-CONSULTANT:
Waste Concern Consultants
Level- 4, House No.- 120/B, (Masjid Road) Road- 7
New DOHS Mohakhali Dhaka- 1207, Bangladesh
Tlf. + 880-2-48810-841, + 880-2-48810-842
Fax. + 880-2- 9899-486, Email- office@wasteconcern.org
www.wasteconcern.org

CLIENT :
LAOS
LAO PEOPLE'S DEMOCRATIC REPUBLIC (LAO PDR)
MINISTRY OF INFORMATION, CULTURE AND TOURISM

REV.	DATE	DESCRIPTION	DRN
RO1	20.07.2020	PRELIMINARY ISSUE	

DESIGNED/DRAWN: _____
CHECKED: _____
APPROVED: _____

NAME OF PROJECT:
**2ND GMS -TOURISM INFRASTRUCTURE FOR INCLUSIVE GROWTH
WORKS PACKAGE -TIIGP2-LAO-W04
Subproject V5: Vang Vieng Solid Waste Management Improvements**

TITLE:
SOIL AND WASTE WATER DISPOSAL SYSTEM FOR TOILET BLOCK
AT GROUND FLOOR

DRAWING NO.: RAM-LAO-DED-W04-P-04

SHEET NO.: 00 OF 00
SHEET SIZE: A3
SCALE: _____
REV: R01 DATE: JULY 2020

1. MATERIALS:

ALL PIPE AT TOILET BLOCK WILL BE cPVC PIPE.

ALL SOIL, RAIN WATER & WASTE WATER PIPE WILL BE uPVC FOR VERTICAL AND HORIZONTAL LINE AND ALSO AT UNDER GROUND PURPOSE.

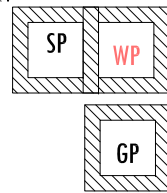
ALL FITTINGS AND FIXTURES WILL BE BEST QUALITY LOCAL MADE.

2. SLOPE: ALL HORIZONTAL DRAINAGE PIPES SHALL BE LAID AT A SLOPE OF FOLLOWING GRADIENTS:-

SIZE OF PIPE	SOIL PIPE, WASTE & RAIN WATER PIPE
< or = 160MM dia	1 in 100
> 160MM dia	1 in 200

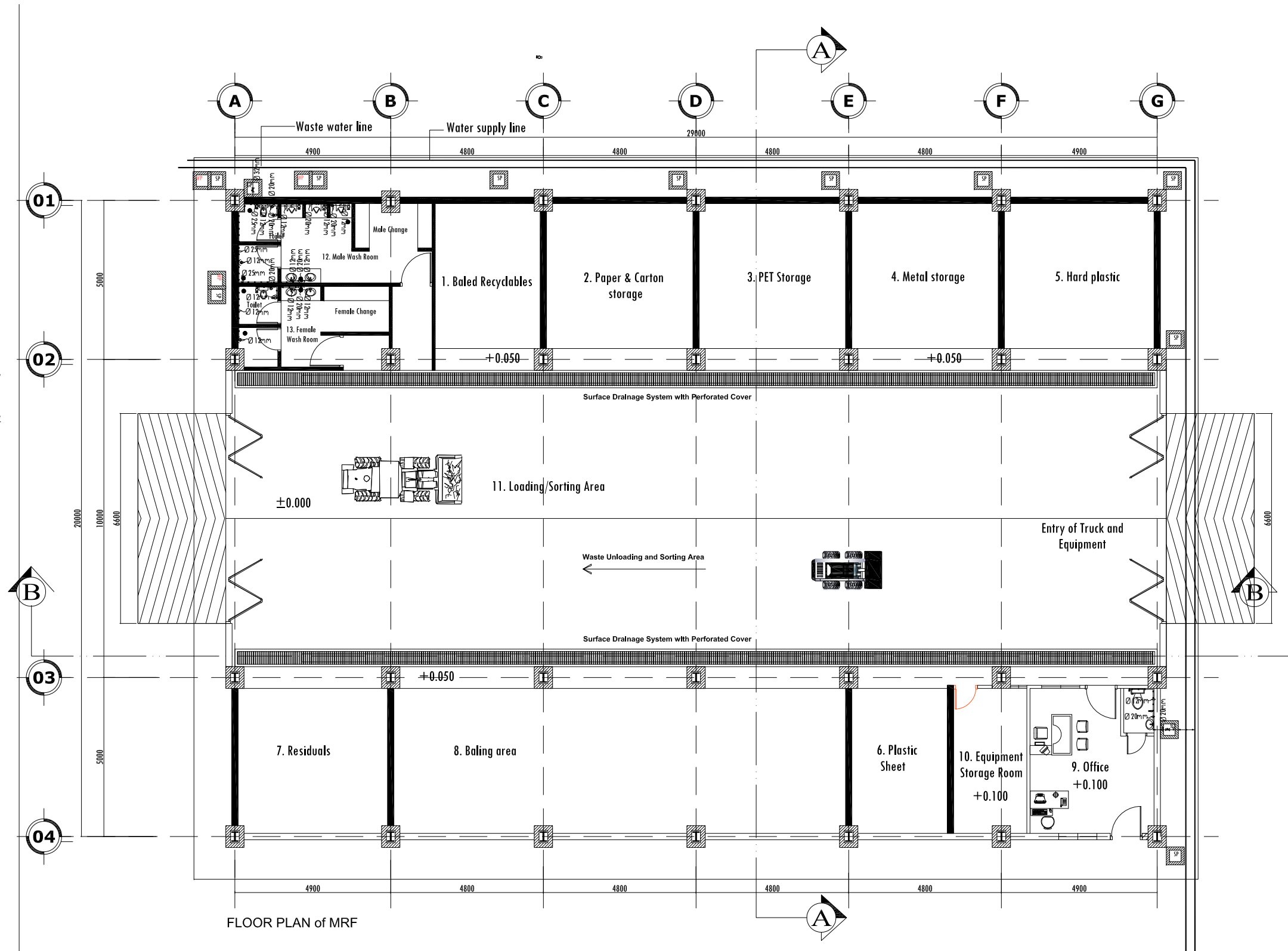
3. LINES: WASTE WATER LINE _____
 SOIL WATER LINE- _____
 BASIN WASTE LINE- _____

4. PIT:



SP-SOIL PIT
 WP-WASTE PIT
 GATE VALVE PIT

5. WATER SUPPLY LINE
 COLD WATER LINE _____
 WATER LINE DOWN _____
 WATER LINE UP _____
 GATE VALVE _____



FLOOR PLAN of MRF

LEAD CONSULTANT :

Hannemanns Alle'53
 DK-2300 København S
 Tlf. +45 5161 1000
 Fax +45 5161 1001
 www.ramboll.dk

SUB-CONSULTANT:

Waste Concern Consultants
 Level- 4, House No.- 120/B, (Masjid Road) Road- 7
 New DOHS Mohakhali Dhaka- 1207, Bangladesh
 Tlf. + 880-2-48810-841, + 880-2-48810-842
 Fax. + 880-2- 9899-486, Email- office@wasteconcern.org
 www.wasteconcern.org

CLIENT :

LAO PEOPLE'S DEMOCRATIC REPUBLIC (LAO PDR)
MINISTRY OF INFORMATION, CULTURE AND TOURISM

REV.	DATE	DESCRIPTION	DRN
R01	20.07.2020	PRELIMINARY ISSUE	

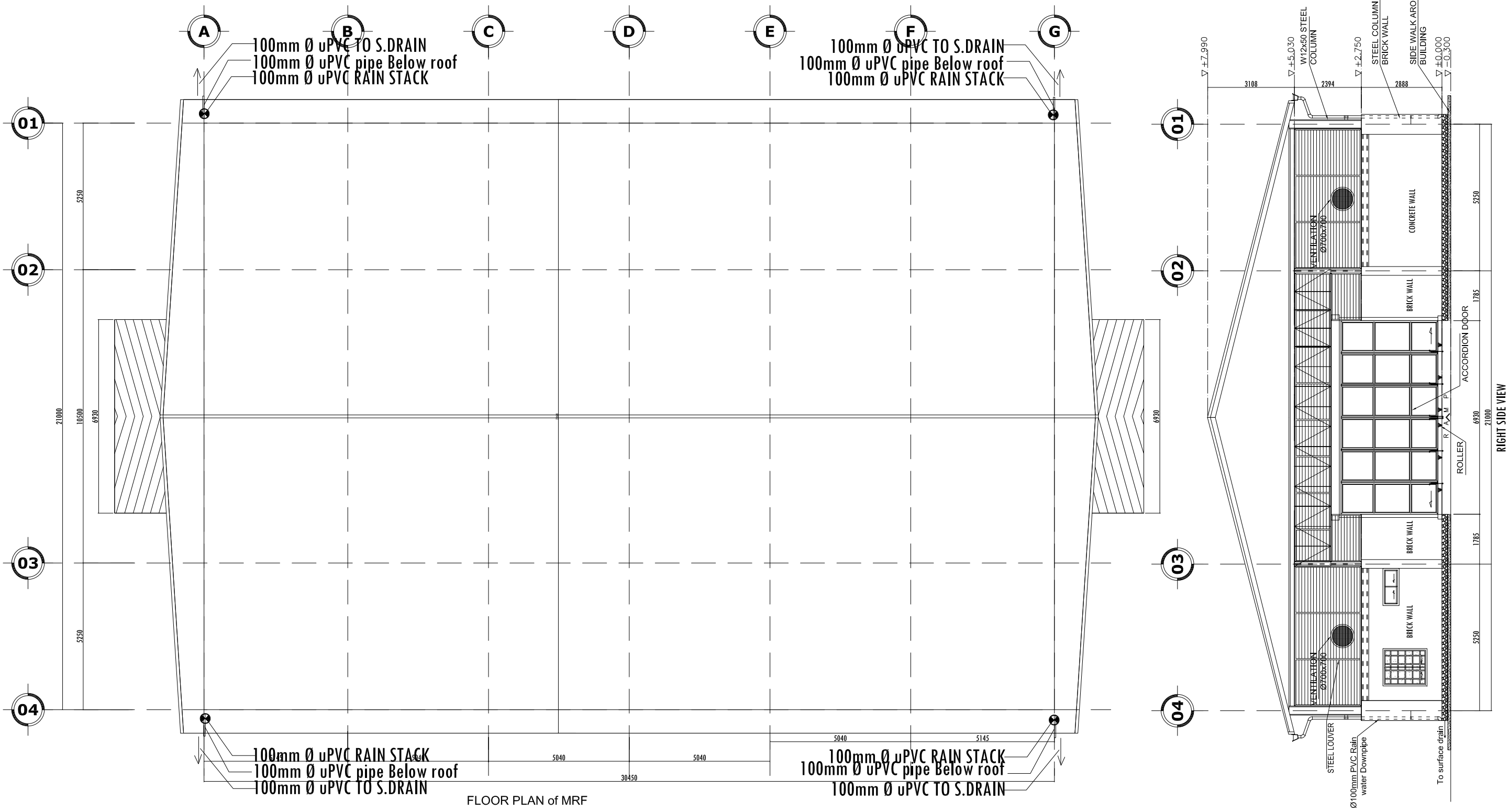
DESIGNED/DRAWN: _____
 CHECKED: _____
 APPROVED: _____

NAME OF PROJECT:
2ND GMS -TOURISM INFRASTRUCTURE FOR INCLUSIVE GROWTH
WORKS PACKAGE -TIIGP2-LAO-W04
Subproject V5: Vang Vieng Solid Waste Management Improvements

TITLE:
WATER SUPPLY SYSTEM FOR TOILET BLOCK
AT GROUND FLOOR

DRAWING NO.: RAM-LAO-DED-W04-P-05

SHEET NO.: 00 OF 00
 SHEET SIZE: A3
 SCALE: _____
 REV: R01
 DATE: JULY 2020




FLOOR PLAN of MRF

RIGHT SIDE VIEW

LEAD CONSULTANT :
RAMBOLL
 Hannemanns Alle'53
 DK-2300 København S
 Tlf. +45 5161 1000
 Fax +45 5161 1001
 www.ramboll.dk

SUB-CONSULTANT:
 **Waste Concern Consultants**
 Level- 4, House No.- 120/B, (Masjid Road) Road- 7
 New DOHS Mohakhali Dhaka- 1207, Bangladesh
 Tlf. + 880-2-48810-841, + 880-2-48810-842
 Fax. + 880-2- 9899-486, Email- office@wasteconcern.org
 www.wasteconcern.org

CLIENT :
 **LAOS**
 LAO PEOPLE'S DEMOCRATIC REPUBLIC (LAO PDR)
 MINISTRY OF INFORMATION, CULTURE AND TOURISM

REV.	DATE	DESCRIPTION	DRN
RO1	20.07.2020	PRELIMINARY ISSUE	

DESIGNED/DRAWN:
 CHECKED:
 APPROVED:

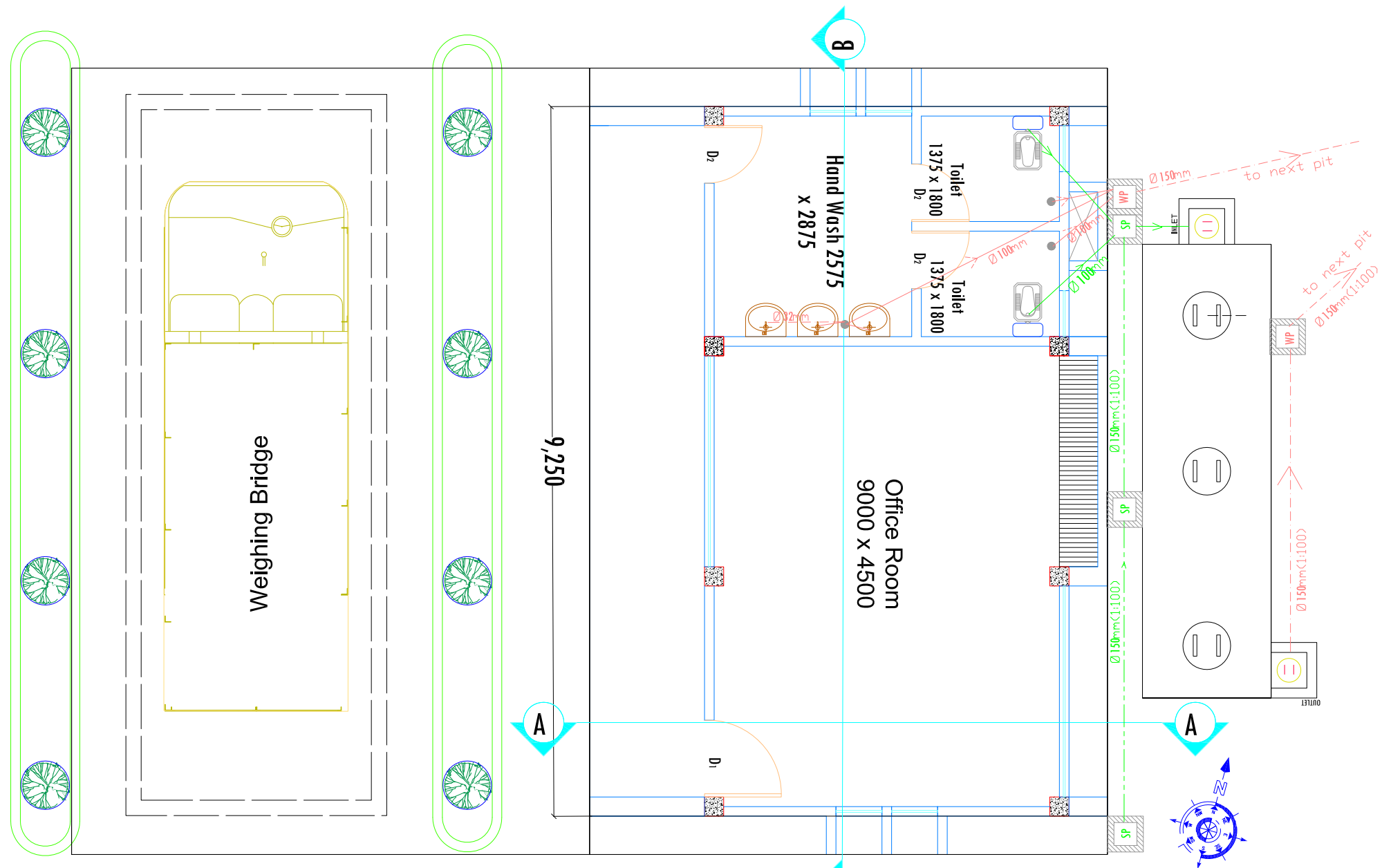
NAME OF PROJECT:
2ND GMS -TOURISM INFRASTRUCTURE FOR INCLUSIVE GROWTH
WORKS PACKAGE -TIIGP2-LAO-W04
 Subproject V5: Vang Vieng Solid Waste Management Improvements

TITLE:
RAIN WATER DISPOSAL SYSTEM FOR ROOF.

DRAWING NO.: RAM-LAO-DED-W04-P-06

SHEET NO.: 00 OF 00
 SCALE:
 SHEET SIZE: A3

REV: R01 DATE: JULY 2020



1. MATERIALS:
 1. ALL PIPE AT TOILET BLOCK WILL BE USED PVC PIPE.
 2. ALL SOIL & WASTE WATER PIPE WILL BE PVC FOR VERTICAL AND HORIZONTAL LINE AND ALSO AT UNDER GROUND PURPOSE.

3. ALL FITTINGS AND FIXTURES WILL BE BEST QUALITY LOCAL MADE.
2. SLOPE: ALL HORIZONTAL DRAINAGE PIPES SHALL BE LAID AT A SLOPE OF FOLLOWING GRADIENTS:-
 SIZE OF PIPE SOIL PIPE, WASTE & RAIN WATER PIPE
 < or = 160MM dia 1 in 100
 > 160MM dia 1 in 200

3. LINES: WASTE WATER LINE
 SOIL WATER LINE-
 BASIN WASTE LINE-
4. PIT:

05. WATER SUPPLY LINE
 COLD WATER LINE
 WATER LINE DOWN
 WATER LINE UP
 GATE VALVE
 NON RETURN VALVE(NRV)

Plan of Weigh Bridge Office
 Scale - 1:100

LEAD CONSULTANT :



Hannemanns Alle 53
 DK-2300 København S
 Tlf. +45 5161 1000
 Fax +45 5161 1001
 www.ramboll.dk

SUB-CONSULTANT:



Waste Concern Consultants
 Level- 4, House No.- 120/B, (Masjid Road) Road- 7
 New DOHS Mohakhali Dhaka- 1207, Bangladesh
 Tlf. + 880-2-48810-841, + 880-2-48810-842
 Fax. + 880-2- 9899-486, Email- office@wasteconcern.org
 www.wasteconcern.org

CLIENT :

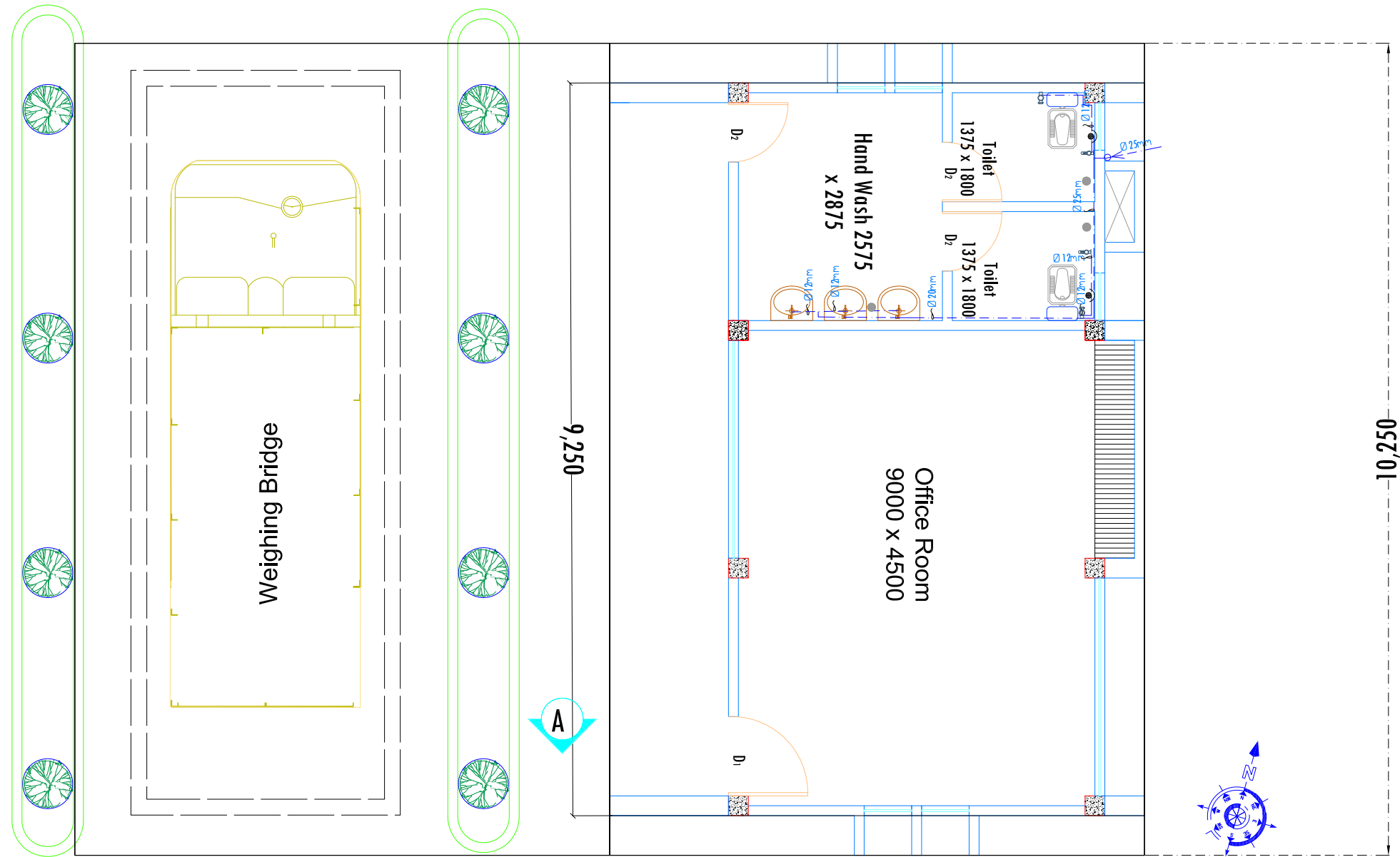


LAO PEOPLE'S DEMOCRATIC REPUBLIC (LAO PDR)
 MINISTRY OF INFORMATION, CULTURE AND TOURISM

REV.	DATE	DESCRIPTION	DRN
RO1	20.07.2020	PRELIMINARY ISSUE	

DESIGNED/DRAWN:
 CHECKED:
 APPROVED:

NAME OF PROJECT: 2ND GMS -TOURISM INFRASTRUCTURE FOR INCLUSIVE GROWTH WORKS PACKAGE -TIIGP2-LAO-W04 Subproject V5: Vang Vieng Solid Waste Management Improvements		SHEET NO.: 00 OF 00	SHEET SIZE: A3
TITLE: SOIL AND WASTE WATER DISPOSAL SYSTEM FOR TOILET BLOCK AT GROUND FLOOR		SCALE:	
DRAWING NO.: RAM-LAO-DED-W04-P-07	REV: R01	DATE: JULY 2020	



1. MATERIALS:

1. ALL PIPE AT TOILET BLOCK WILL BE USED UPVC PIPE.
 2. FOR TWO STORIED BUILDING, AT VERTICAL DROP LINE, PIPE WILL BE UPVC AND AT ROOF, ALL WATER DISTRIBUTION PIPE WILL BE GL.
 3. AT UNDER GROUND, COMMON WATER DISTRIBUTION LINE WILL BE UPVC PRESSURE PIPE.

4. FOR DOMESTIC PUMP SUCTION & OUTLET PIPE MAY BE GL.
 5. FOR DRAINAGE, LEACHATE WATER DRAIN PIPE & PUMP OUTLET PIPE WILL BE HDPE.
 6. FOR SPAYING OF WATER INTO DRY WASTE AT CELL, SUCTION AND OUTLET PIPE OF PUMP WILL BE GL.

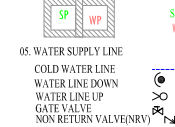
7. ALL SOIL & WASTE WATER PIPE WILL BE UPVC FOR VERTICAL AND HORIZONTAL LINE AND ALSO AT UNDER GROUND PURPOSE.
 8. ALL FITTINGS AND FIXTURES WILL BE BEST QUALITY LOCAL MADE.

02. SLOPE: ALL HORIZONTAL DRAINAGE PIPES SHALL BE LAID AT A SLOPE OF FOLLOWING GRADIENTS:-

SIZE OF PIPE	SOIL PIPE, WASTE & RAIN WATER PIPE
< or = 160MM dia	1 in 100
> 160MM dia	1 in 200

03. LINES: WASTE WATER LINE
 SOIL WATER LINE-
 BASIN WASTE LINE-

04. FIT:



Plan of Weigh Bridge Office

Scale :- 1:100

LEAD CONSULTANT :



Hannemanns Alle 53
 DK-2300 København S
 Tlf. +45 5161 1000
 Fax +45 5161 1001
 www.ramboll.dk

SUB-CONSULTANT:



Waste Concern Consultants
 Level- 4, House No.- 120/B, (Masjid Road) Road- 7
 New DOHS Mohakhali Dhaka- 1207, Bangladesh
 Tlf. + 880-2-48810-841, + 880-2-48810-842
 Fax. + 880-2- 9899-486, Email- office@wasteconcern.org
 www.wasteconcern.org

CLIENT :

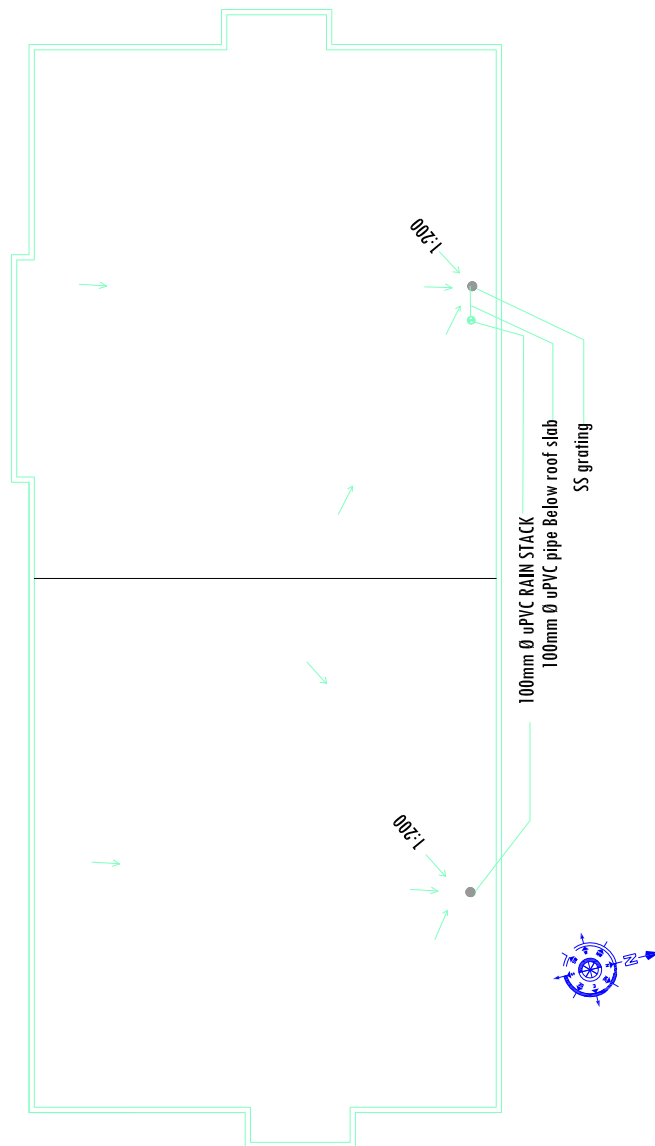


LAO PEOPLE'S DEMOCRATIC REPUBLIC (LAO PDR)
 MINISTRY OF INFORMATION, CULTURE AND TOURISM

REV.	DATE	DESCRIPTION	DRN
RO1	20.07.2020	PRELIMINARY ISSUE	

DESIGNED/DRAWN: /
 CHECKED: /
 APPROVED: /

NAME OF PROJECT: 2ND GMS -TOURISM INFRASTRUCTURE FOR INCLUSIVE GROWTH WORKS PACKAGE -TIIGP2-LAO-W04		SHEET NO.:	SHEET SIZE:
Subproject V5: Vang Vieng Solid Waste Management Improvements		00 OF 00	A3
TITLE: WATER SUPPLY SYSTEM FOR TOILET BLOCK AT GROUND FLOOR		SCALE:	
DRAWING NO.:	RAM-LAO-DED-W04-P-08	REV:	DATE:
		R01	JULY 2020



Roof Plan of Weigh Bridge Office
Scale :- 1:100

LEAD CONSULTANT :



Hannemanns Alle 53
DK-2300 København S
Tlf. +45 5161 1000
Fax +45 5161 1001
www.ramboll.dk

SUB-CONSULTANT:



Waste Concern Consultants

Level- 4, House No.- 120/B, (Masjid Road) Road- 7
New DOHS Mohakhali Dhaka- 1207, Bangladesh
Tlf. + 880-2-48810-841, + 880-2-48810-842
Fax. + 880-2- 9899-486, Email- office@wasteconcern.org
www.wasteconcern.org

CLIENT :



LAO PEOPLE'S DEMOCRATIC REPUBLIC (LAO PDR)
MINISTRY OF INFORMATION, CULTURE AND TOURISM

REV.	DATE	DESCRIPTION	DRN
RO1	20.07.2020	PRELIMINARY ISSUE	

DESIGNED/DRAWN:
CHECKED:
APPROVED:

NAME OF PROJECT:		2ND GMS –TOURISM INFRASTRUCTURE FOR INCLUSIVE GROWTH	
		WORKS PACKAGE -TIIGP2-LAO-W04	
		Subproject V5: Vang Vieng Solid Waste Management Improvements	
TITLE:	RAIN WATER DISPOSAL SYSTEM AT ROOF	SHEET NO.:	00 OF 00
		SCALE:	A3
DRAWING NO.:	RAM-LAO-DED-W04-P-09	REV:	R01
		DATE:	JULY 2020

1. MATERIALS:

ALL PIPE AT TOILET BLOCK WILL BE PVC PIPE.

ALL SOIL & WASTE WATER PIPE WILL BE PVC FOR VERTICAL AND HORIZONTAL LINE AND ALSO AT UNDER GROUND PURPOSE.

ALL FITTINGS AND FIXTURES WILL BE BEST QUALITY LOCAL MADE.

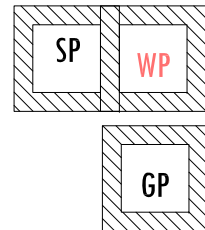
2. SLOPE: ALL HORIZONTAL DRAINAGE PIPES SHALL BE LAID AT A SLOPE OF FOLLOWING GRADIENTS:-

SIZE OF PIPE	SOIL, WASTE & RAIN WATER PIPE
< or = 160MM dia	1 in 100
> 160MM dia	1 in 200

3. LINES: WASTE WATER LINE

SOIL WATER LINE-
BASIN WASTE LINE-

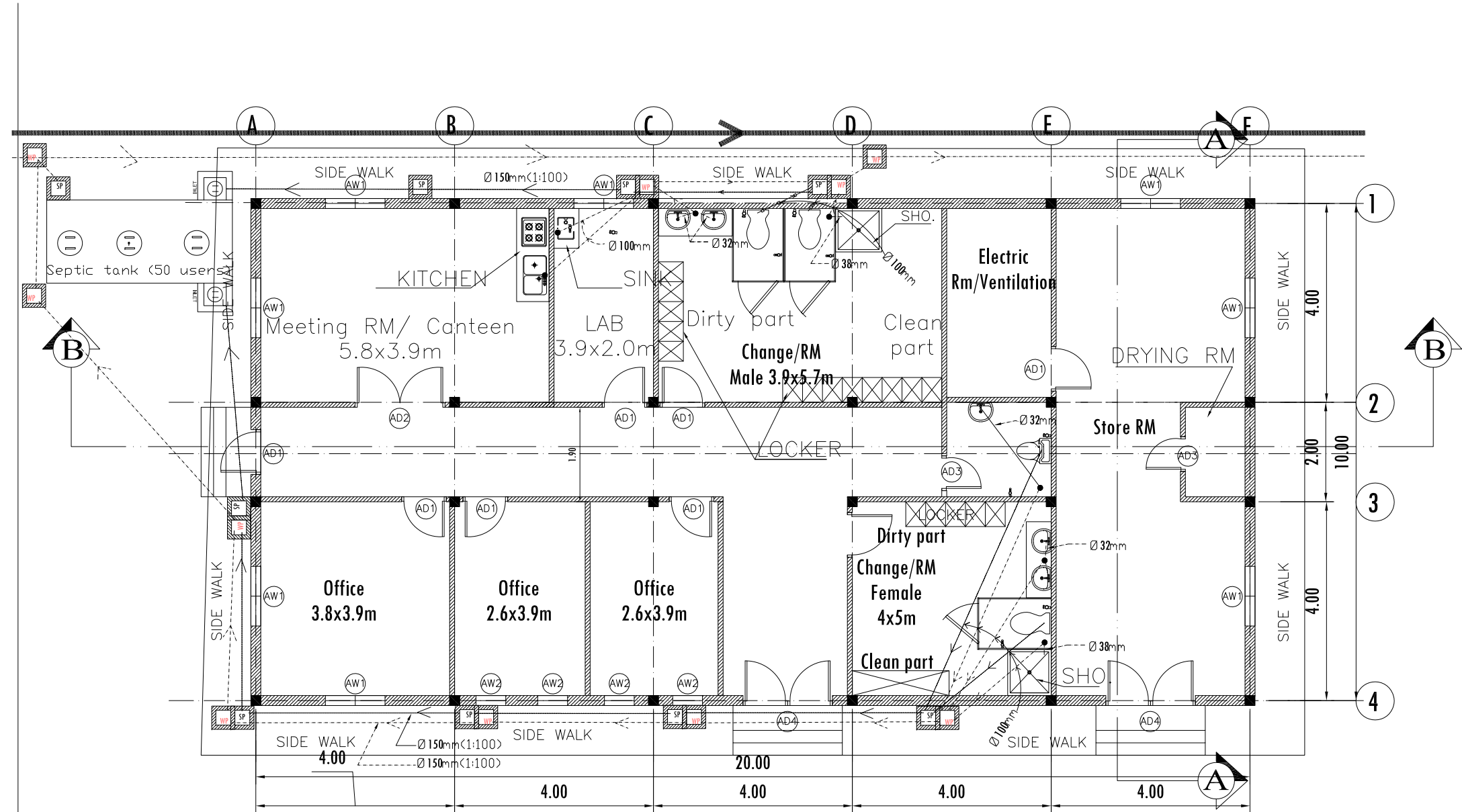
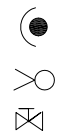
4. PIT:



SP-SOIL PIT
WP-WASTE PIT
GP GATE VALVE PIT

5. WATER SUPPLY LINE

COLD WATER LINE
WATER LINE DOWN
WATER LINE UP
GATE VALVE



FLOOR PLAN OF ADMINISTRATION BUILDING

LEAD CONSULTANT :



Hannemanns Alle 53
DK-2300 København S
Tlf. +45 5161 1000
Fax +45 5161 1001
www.ramboll.dk

SUB-CONSULTANT:



Waste Concern Consultants

Level- 4, House No.- 120/B, (Masjid Road) Road- 7
New DOHS Mohakhali Dhaka- 1207, Bangladesh
Tlf. + 880-2-48810-841, + 880-2-48810-842
Fax. + 880-2- 9899-486, Email- office@wasteconcern.org
www.wasteconcern.org

CLIENT :



LAO PEOPLE'S DEMOCRATIC REPUBLIC (LAO PDR)
MINISTRY OF INFORMATION, CULTURE AND TOURISM

REV.	DATE	DESCRIPTION	DRN
RO1	20.07.2020	PRELIMINARY ISSUE	

DESIGNED/DRAWN:

CHECKED:

APPROVED:

NAME OF PROJECT:
**2ND GMS -TOURISM INFRASTRUCTURE FOR INCLUSIVE GROWTH
WORKS PACKAGE -TIIGP2-LAO-W04**

Subproject V5: Vang Vieng Solid Waste Management Improvements

TITLE:
SOIL AND WASTE WATER DISPOSAL SYSTEM FOR TOILET BLOCK
AT GROUND FLOOR

DRAWING NO.: RAM-LAO-DED-W04-P-10

SHEET NO.: 00 OF 00
SCALE:

REV: R01 DATE: JULY 2020

1. MATERIALS:

ALL PIPE AT TOILET BLOCK WILL BE \varnothing PVC PIPE.

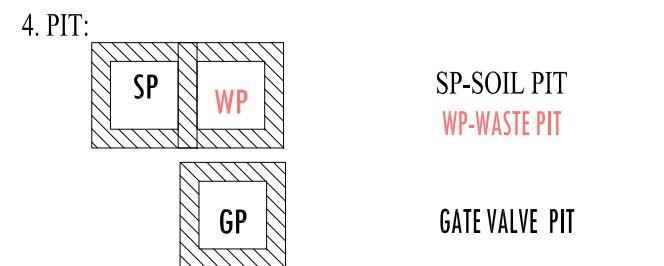
ALL SOIL & WASTE WATER PIPE WILL BE PVC FOR VERTICAL AND HORIZONTAL LINE AND ALSO AT UNDER GROUND PURPOSE.

ALL FITTINGS AND FIXTURES WILL BE BEST QUALITY LOCAL MADE.

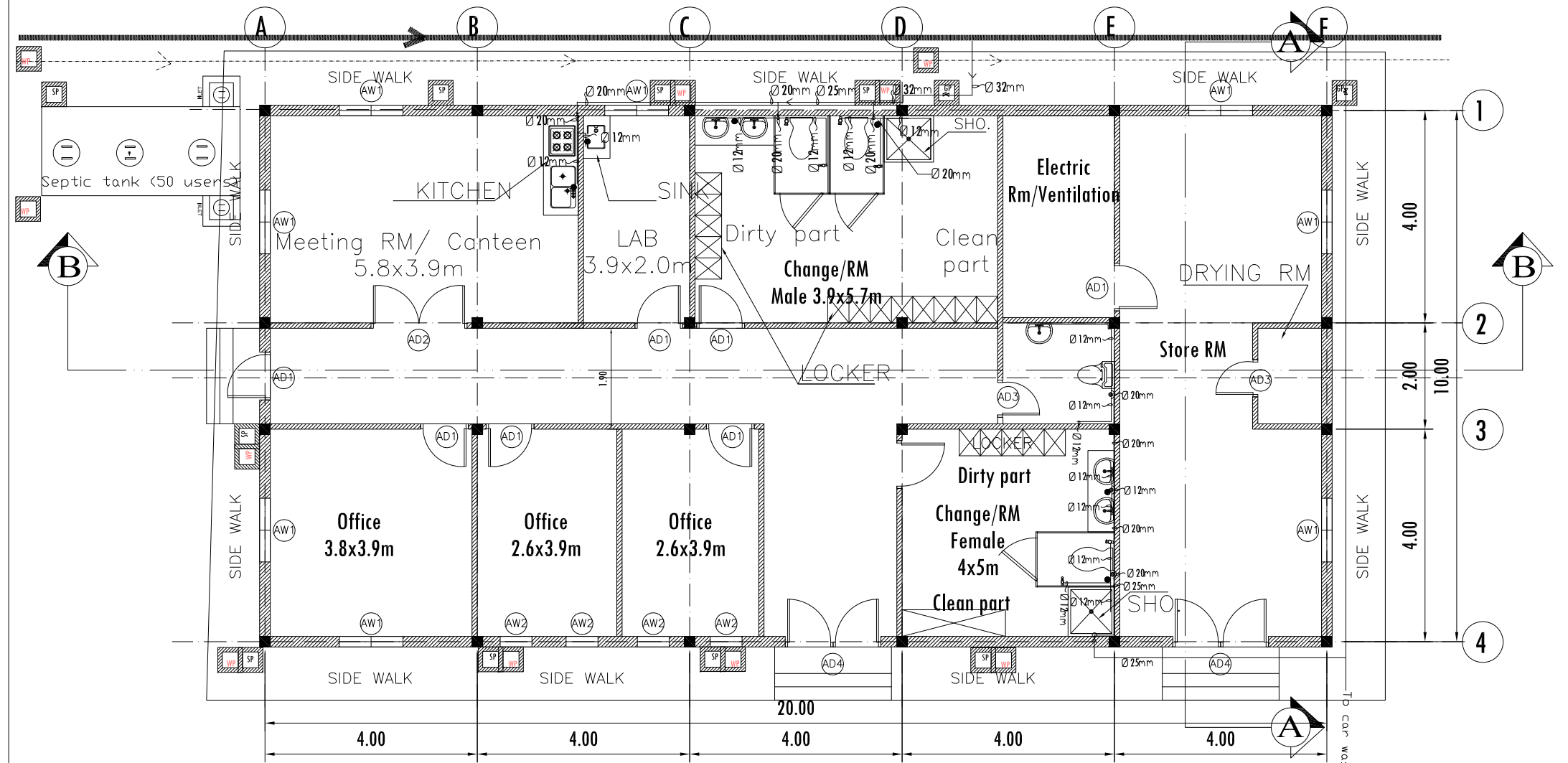
2. SLOPE: ALL HORIZONTAL DRAINAGE PIPES SHALL BE LAID AT A SLOPE OF FOLLOWING GRADIENTS:-

SIZE OF PIPE	SOIL, WASTE & RAIN WATER PIPE
< or = 160MM dia	1 in 100
> 160MM dia	1 in 200

3. LINES: WASTE WATER LINE - - - - -
 SOIL WATER LINE - - - - -
 BASIN WASTE LINE - - - - -



5. WATER SUPPLY LINE - - - - -
 COLD WATER LINE - - - - -
 WATER LINE DOWN ●
 WATER LINE UP ○
 GATE VALVE ⊗



FLOOR PLAN OF ADMINISTRATION BUILDING

LEAD CONSULTANT :
RAMBOLL
 Hannemanns Alle 53
 DK-2300 København S
 Tlf. +45 5161 1000
 Fax +45 5161 1001
 www.ramboll.dk

SUB-CONSULTANT:

Waste Concern Consultants
 Level- 4, House No.- 120/B, (Masjid Road) Road- 7
 New DOHS Mohakhali Dhaka- 1207, Bangladesh
 Tlf. + 880-2-48810-841, + 880-2-48810-842
 Fax. + 880-2- 9899-486, Email- office@wasteconcern.org
 www.wasteconcern.org

CLIENT :

LAOS
 LAO PEOPLE'S DEMOCRATIC REPUBLIC (LAO PDR)
 MINISTRY OF INFORMATION, CULTURE AND TOURISM

REV.	DATE	DESCRIPTION	DRN
RO1	20.07.2020	PRELIMINARY ISSUE	

DESIGNED/DRAWN: /
 CHECKED: /
 APPROVED: /

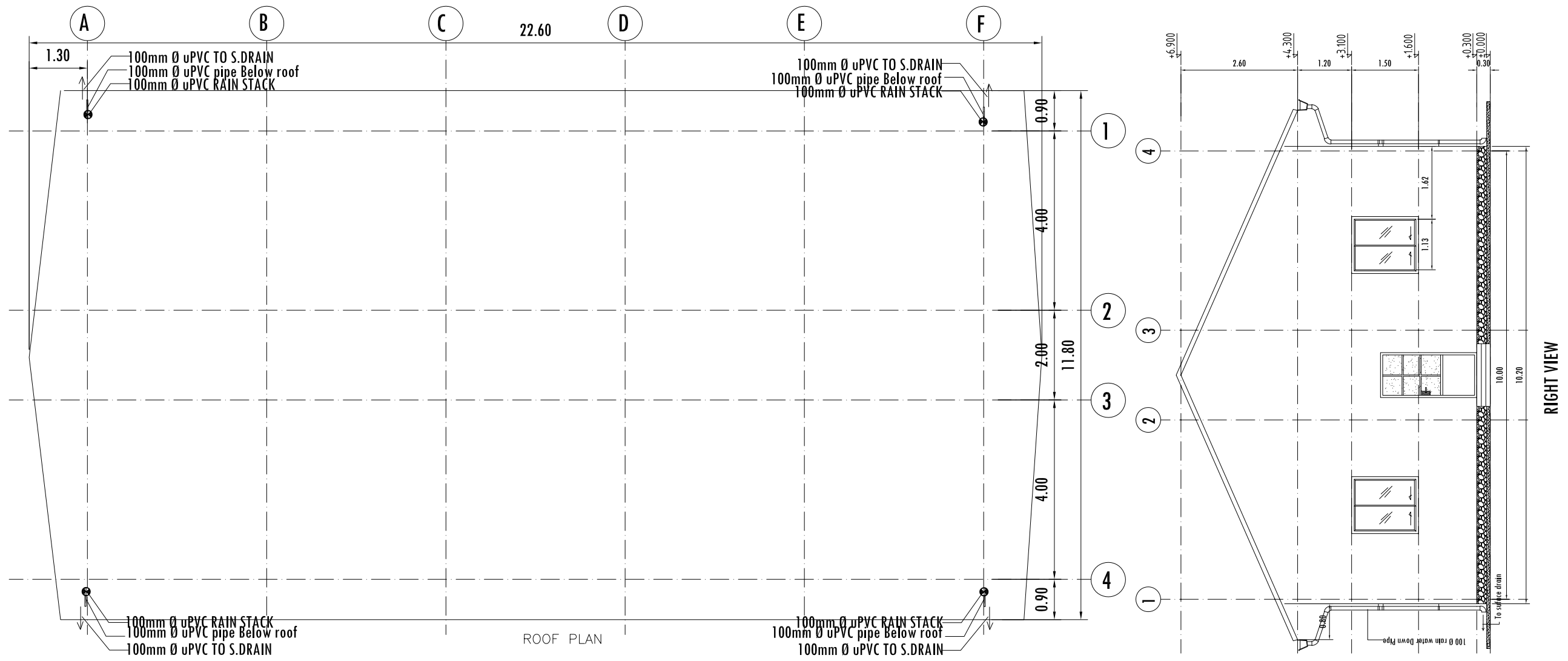
NAME OF PROJECT:
2ND GMS -TOURISM INFRASTRUCTURE FOR INCLUSIVE GROWTH
WORKS PACKAGE -TIIGP2-LAO-W04
Subproject V5: Vang Vieng Solid Waste Management Improvements

TITLE:
WATER SUPPLY SYSTEM FOR TOILET BLOCK
AT GROUND FLOOR

DRAWING NO.: RAM-LAO-DED-W04-P-11


SHEET NO.: 00 OF 00
 SCALE: /
 SHEET SIZE: A3

REV: R01 DATE: JULY 2020




ROOF PLAN

RIGHT VIEW

LEAD CONSULTANT :

 Hannemanns Alle 53
 DK-2300 København S
 Tlf. +45 5161 1000
 Fax +45 5161 1001
 www.ramboll.dk

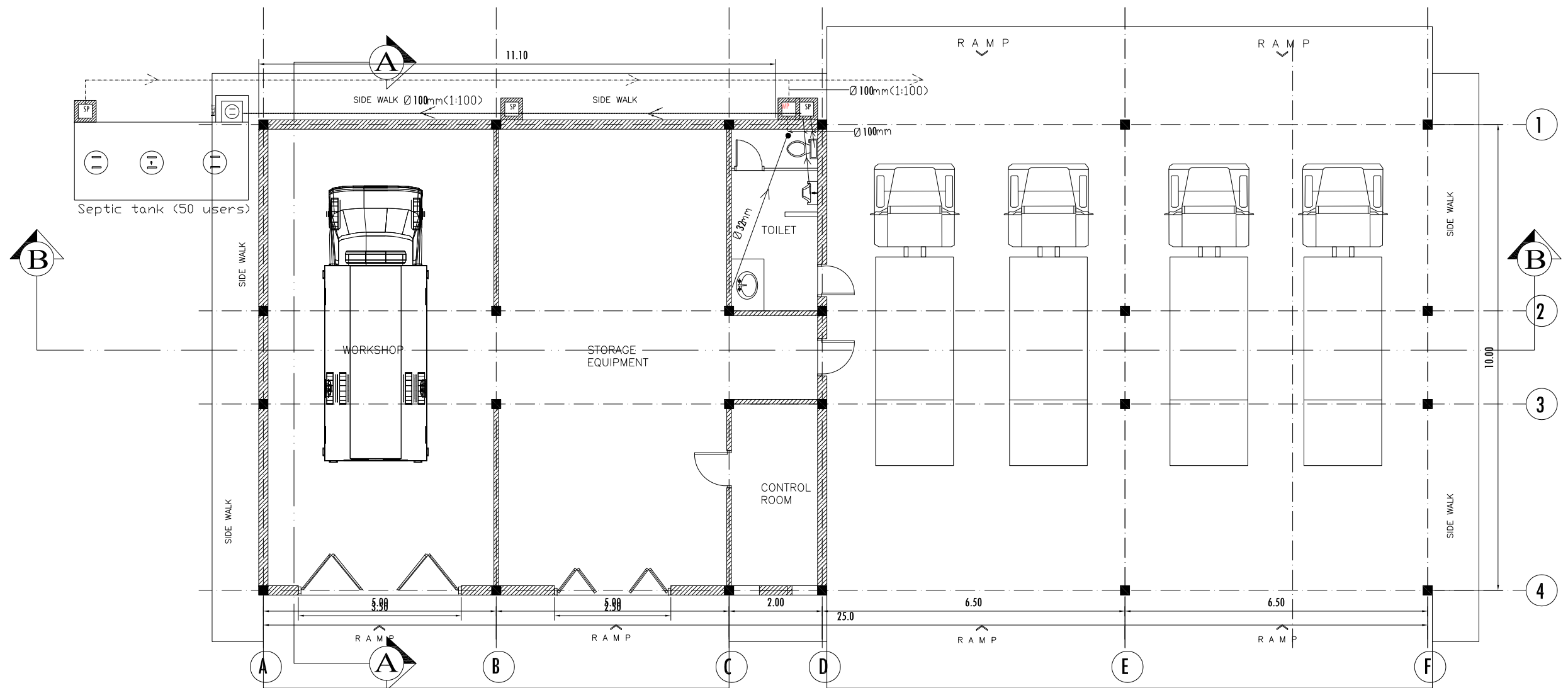
SUB-CONSULTANT:

Waste Concern Consultants
 Level- 4, House No.- 120/B, (Masjid Road) Road- 7
 New DOHS Mohakhali Dhaka- 1207, Bangladesh
 Tlf. + 880-2-48810-841, + 880-2-48810-842
 Fax. + 880-2- 9899-486, Email- office@wasteconcern.org
 www.wasteconcern.org

CLIENT :

LAO PEOPLE'S DEMOCRATIC REPUBLIC (LAO PDR)
MINISTRY OF INFORMATION, CULTURE AND TOURISM

REV.	DATE	DESCRIPTION	DRN
RO1	20.07.2020	PRELIMINARY ISSUE	

DESIGNED/DRAWN:	NAME OF PROJECT: 2ND GMS -TOURISM INFRASTRUCTURE FOR INCLUSIVE GROWTH WORKS PACKAGE -TIIGP2-LAO-W04
CHECKED:	Subproject V5: Vang Vieng Solid Waste Management Improvements
APPROVED:	TITLE: RAIN WATER DISPOSAL SYSTEM FOR ROOF
DRAWING NO.: RAM-LAO-DED-W04-P-12	SHEET NO.: 00 OF 00 SCALE: REV: R01 DATE: JULY 2020



FLOOR PLAN

1. MATERIALS:

ALL PIPE AT TOILET BLOCK WILL BE PVC PIPE.

ALL SOIL, RAIN WATER & WASTE WATER PIPE WILL BE PVC FOR VERTICAL AND HORIZONTAL LINE AND ALSO AT UNDER GROUND PURPOSE.

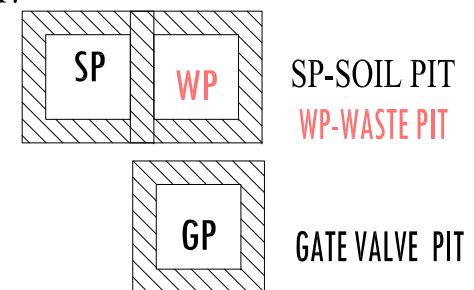
ALL FITTINGS AND FIXTURES WILL BE BEST QUALITY LOCAL MADE.

2. SLOPE: ALL HORIZONTAL DRAINAGE PIPES SHALL BE LAID AT A SLOPE OF FOLLOWING GRADIENTS:-

SIZE OF PIPE	SOIL PIPE, WASTE & RAIN WATER PIPE
< or = 160MM dia	1 in 100
> 160MM dia	1 in 200

3. LINES: WASTE WATER LINE -----
 SOIL WATER LINE- _____
 BASIN WASTE LINE- _____

4. PIT:



5. WATER SUPPLY LINE
 COLD WATER LINE
 WATER LINE DOWN
 WATER LINE UP
 GATE VALVE



LEAD CONSULTANT :



Hannemanns Alle 53
 DK-2300 København S
 Tlf. +45 5161 1000
 Fax +45 5161 1001
 www.ramboll.dk

SUB-CONSULTANT:



Waste Concern Consultants
 Level- 4, House No.- 120/B, (Masjid Road) Road- 7
 New DOHS Mohakhali Dhaka- 1207, Bangladesh
 Tlf. + 880-2-48810-841, + 880-2-48810-842
 Fax. + 880-2- 9899-486, Email- office@wasteconcern.org
 www.wasteconcern.org

CLIENT :



LAO PEOPLE'S DEMOCRATIC REPUBLIC (LAO PDR)
 MINISTRY OF INFORMATION, CULTURE AND TOURISM

REV.	DATE	DESCRIPTION	DRN
RO1	20.07.2020	PRELIMINARY ISSUE	

DESIGNED/DRAWN:

CHECKED:

APPROVED:

NAME OF PROJECT:
2ND GMS -TOURISM INFRASTRUCTURE FOR INCLUSIVE GROWTH
WORKS PACKAGE -TIIGP2-LAO-W04

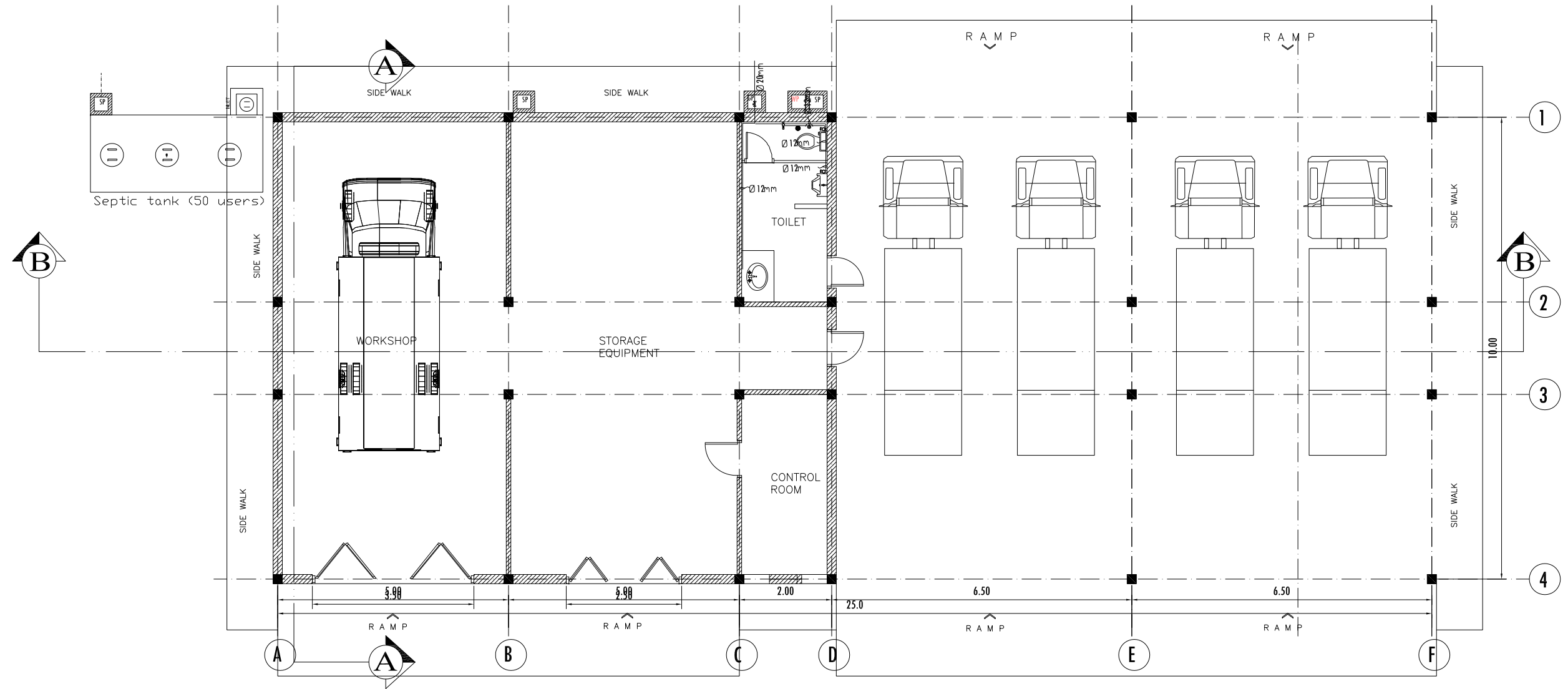
Subproject V5: Vang Vieng Solid Waste Management Improvements

TITLE:
 SOIL AND WASTE WATER DISPOSAL SYSTEM FOR TOILET BLOCK
 AT GROUND FLOOR

DRAWING NO.: RAM-LAO-DED-W04-P-13

SHEET NO.: 00 OF 00
 SHEET SIZE: A3
 SCALE:

REV: R01
 DATE: JULY 2020



FLOOR PLAN

1. MATERIALS:

ALL PIPE AT TOILET BLOCK WILL BE cPVC PIPE.

ALL SOIL, RAIN WATER & WASTE WATER PIPE WILL BE PVC FOR VERTICAL AND HORIZONTAL LINE AND ALSO AT UNDER GROUND PURPOSE.

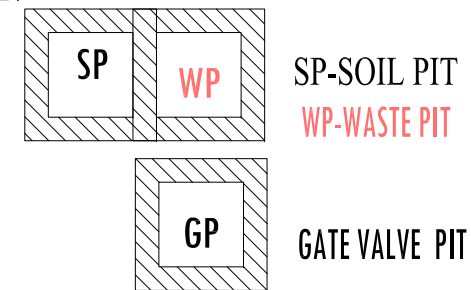
ALL FITTINGS AND FIXTURES WILL BE BEST QUALITY LOCAL MADE.

2. SLOPE: ALL HORIZONTAL DRAINAGE PIPES SHALL BE LAID AT A SLOPE OF FOLLOWING GRADIENTS:-

SIZE OF PIPE	SOIL PIPE, WASTE & RAIN WATER PIPE
< or = 160MM dia	1 in 100
> 160MM dia	1 in 200

3. LINES: WASTE WATER LINE -----
 SOIL WATER LINE- _____
 BASIN WASTE LINE- _____

4. PIT:



5. WATER SUPPLY LINE
 COLD WATER LINE _____
 WATER LINE DOWN
 WATER LINE UP
 GATE VALVE

LEAD CONSULTANT :

 Hannemanns Alle 53
 DK-2300 København S
 Tlf. +45 5161 1000
 Fax +45 5161 1001
 www.ramboll.dk

SUB-CONSULTANT:

Waste Concern Consultants
 Level- 4, House No.- 120/B, (Masjid Road) Road- 7
 New DOHS Mohakhali Dhaka- 1207, Bangladesh
 Tlf. + 880-2-48810-841, + 880-2-48810-842
 Fax. + 880-2- 9899-486, Email- office@wasteconcern.org
 www.wasteconcern.org

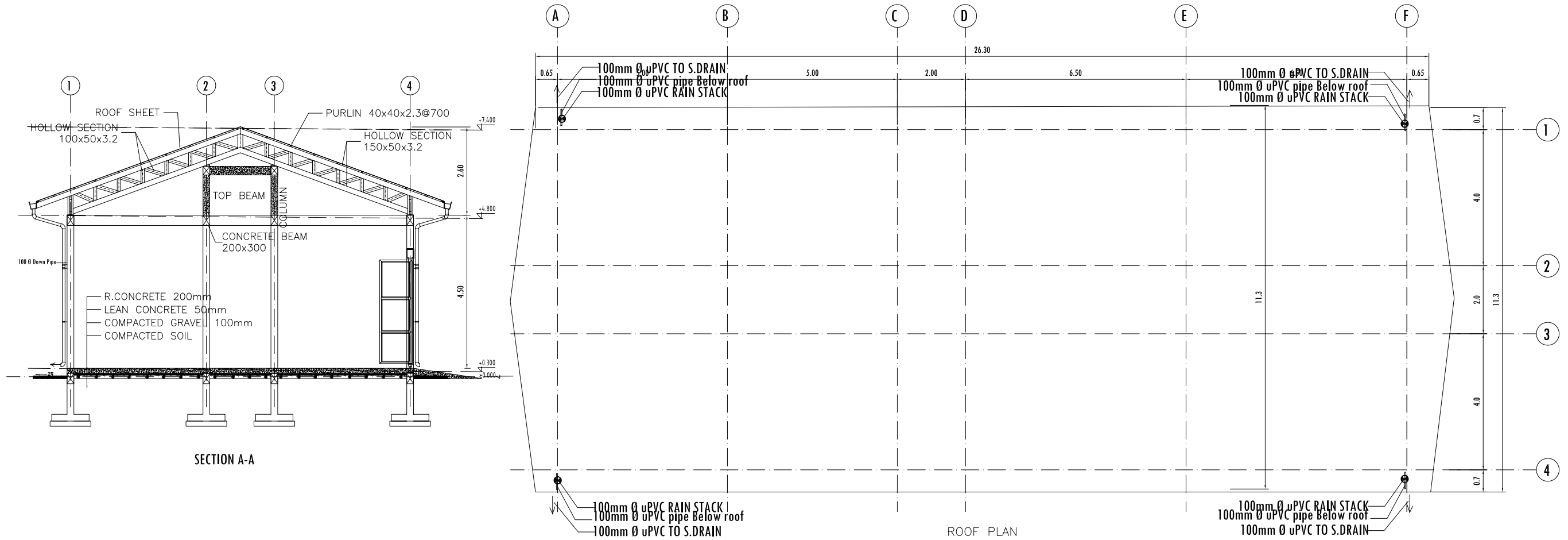
CLIENT :

LAO PEOPLE'S DEMOCRATIC REPUBLIC (LAO PDR)
MINISTRY OF INFORMATION, CULTURE AND TOURISM

REV.	DATE	DESCRIPTION	DRN
RO1	20.07.2020	PRELIMINARY ISSUE	

DESIGNED/DRAWN: _____
 CHECKED: _____
 APPROVED: _____

NAME OF PROJECT:
2ND GMS -TOURISM INFRASTRUCTURE FOR INCLUSIVE GROWTH
WORKS PACKAGE -TIIGP2-LAO-W04
Subproject V5: Vang Vieng Solid Waste Management Improvements
 TITLE: WATER SUPPLY SYSTEM FOR TOILET BLOCK AT GROUND FLOOR
 SHEET NO.: 00 OF 00 SHEET SIZE: A3
 SCALE:
 DRAWING NO.: RAM-LAO-DED-W04-P-14
 REV: R01 DATE: JULY 2020



LEAD CONSULTANT :

RAMBOLL
 Hannemanns Alle 53
 DK-2300 København S
 Tlf. +45 5161 1000
 Fax +45 5161 1001
 www.ramboll.dk

SUB-CONSULTANT:

Waste Concern Consultants
 Level- 4, House No.- 120/B, (Masjid Road) Road- 7
 New DOHS Mohakhali Dhaka- 1207, Bangladesh
 Tlf. + 880-2-48810-841, + 880-2-48810-842
 Fax. + 880-2- 9899-486, Email- office@wasteconcern.org
 www.wasteconcern.org

CLIENT :

LAOS
 LAO PEOPLE'S DEMOCRATIC REPUBLIC (LAO PDR)
 MINISTRY OF INFORMATION, CULTURE AND TOURISM

DESIGNED/DRAWN:	
CHECKED:	
APPROVED:	
REV.	DATE
RO1	20.07.2020
	PRELIMINARY ISSUE
	DESCRIPTION
	DRN

NAME OF PROJECT:
2ND GMS –TOURISM INFRASTRUCTURE FOR INCLUSIVE GROWTH
WORKS PACKAGE -TIIGP2-LAO-W04
Subproject V5: Vang Vieng Solid Waste Management Improvements

TITLE:
RAIN WATER DISPOSAL SYSTEM AT ROOF

DRAWING NO.: RAM-LAO-DED-W04-P-15

SHEET NO.: 00 OF 00
 SHEET SIZE: A3
 SCALE:

REV: R01
 DATE: JULY 2020

1. MATERIALS:

ALL PIPE AT TOILET BLOCK WILL BE PVC PIPE.

ALL SOIL & WASTE WATER PIPE WILL BE PVC FOR VERTICAL AND HORIZONTAL LINE AND ALSO AT UNDER GROUND PURPOSE.

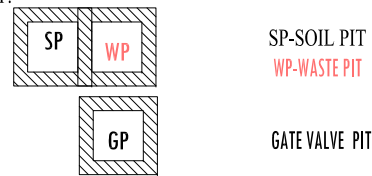
ALL FITTINGS AND FIXTURES WILL BE BEST QUALITY LOCAL MADE.

2. SLOPE: ALL HORIZONTAL DRAINAGE PIPES SHALL BE LAID AT A SLOPE OF FOLLOWING GRADIENTS:-

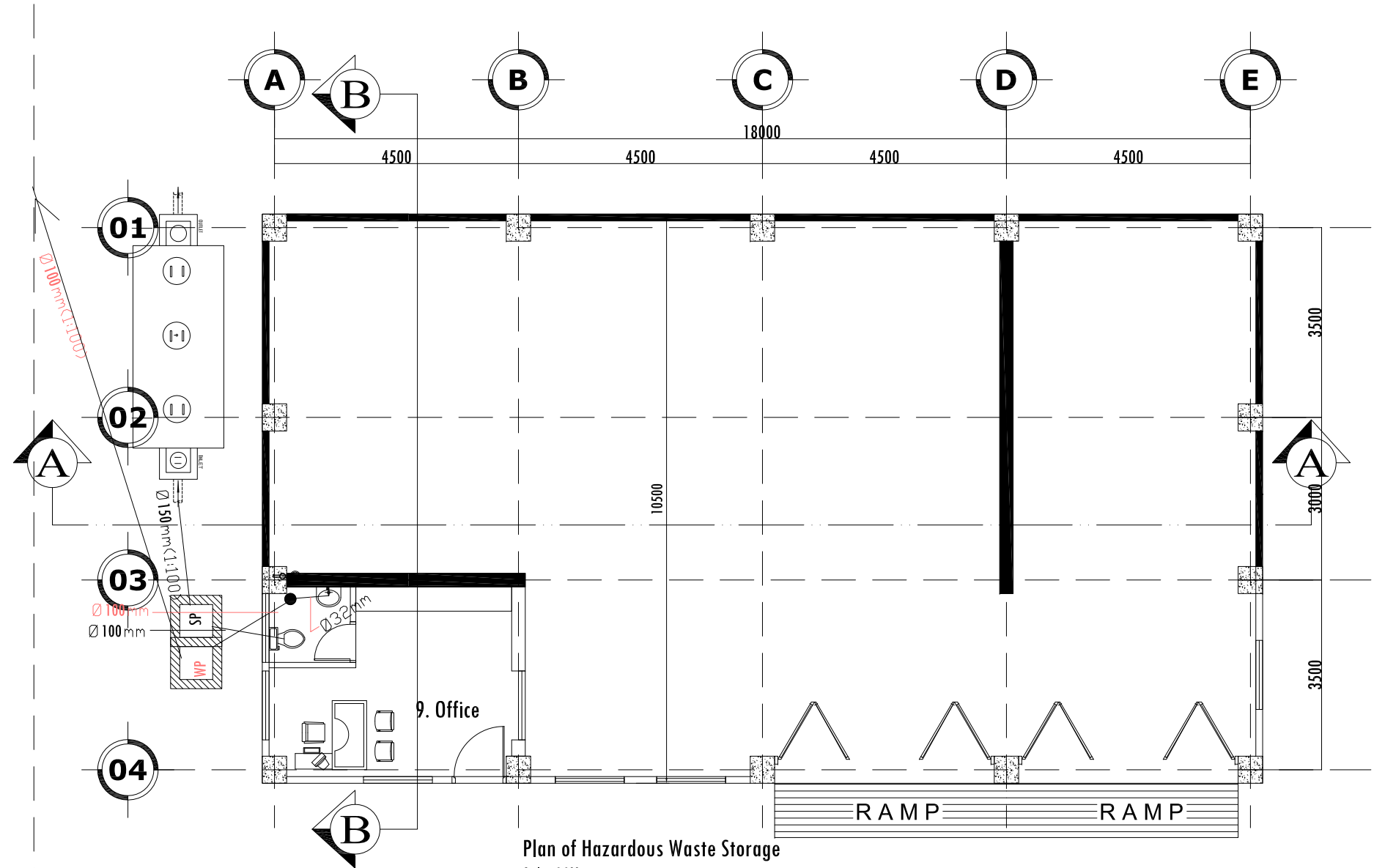
SIZE OF PIPE	SOIL PIPE, WASTE & RAIN WATER PIPE
< or = 160MM dia	1 in 100
> 160MM dia	1 in 200

3. LINES: WASTE WATER LINE _____
SOIL WATER LINE- _____
BASIN WASTE LINE- _____

4. PIT:



5. WATER SUPPLY LINE
COLD WATER LINE _____
WATER LINE DOWN _____
WATER LINE UP _____
GATE VALVE _____



LEAD CONSULTANT :



Hannemanns Alle 53
DK-2300 København S
Tlf. +45 5161 1000
Fax +45 5161 1001
www.ramboll.dk

SUB-CONSULTANT:



Waste Concern Consultants
Level- 4, House No.- 120/B, (Masjid Road) Road- 7
New DOHS Mohakhali Dhaka- 1207, Bangladesh
Tlf. + 880-2-48810-841, + 880-2-48810-842
Fax. + 880-2- 9899-486, Email- office@wasteconcern.org
www.wasteconcern.org

CLIENT :



LAO PEOPLE'S DEMOCRATIC REPUBLIC (LAO PDR)
MINISTRY OF INFORMATION, CULTURE AND TOURISM

REV.	DATE	DESCRIPTION	DRN
RO1	20.07.2020	PRELIMINARY ISSUE	

DESIGNED/DRAWN: _____
CHECKED: _____
APPROVED: _____

NAME OF PROJECT: 2ND GMS -TOURISM INFRASTRUCTURE FOR INCLUSIVE GROWTH WORKS PACKAGE -TIIGP2-LAO-W04 Subproject V5: Vang Vieng Solid Waste Management Improvements		SHEET NO.: 00 OF 00	SHEET SIZE: A3
TITLE: SOIL AND WASTE WATER DISPOSAL SYSTEM FOR TOILET BLOCK AT GROUND FLOOR		SCALE:	
DRAWING NO.: RAM-LAO-DED-W04-P-16		REV: R01	DATE: JULY 2020

1. MATERIALS:

ALL PIPE AT TOILET BLOCK WILL BE PVC PIPE.

ALL SOIL & WASTE WATER PIPE WILL BE PVC FOR VERTICAL AND HORIZONTAL LINE AND ALSO AT UNDER GROUND PURPOSE.

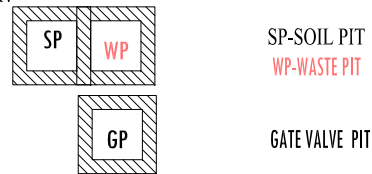
ALL FITTINGS AND FIXTURES WILL BE BEST QUALITY LOCAL MADE.

2. SLOPE: ALL HORIZONTAL DRAINAGE PIPES SHALL BE LAID AT A SLOPE OF FOLLOWING GRADIENTS:-

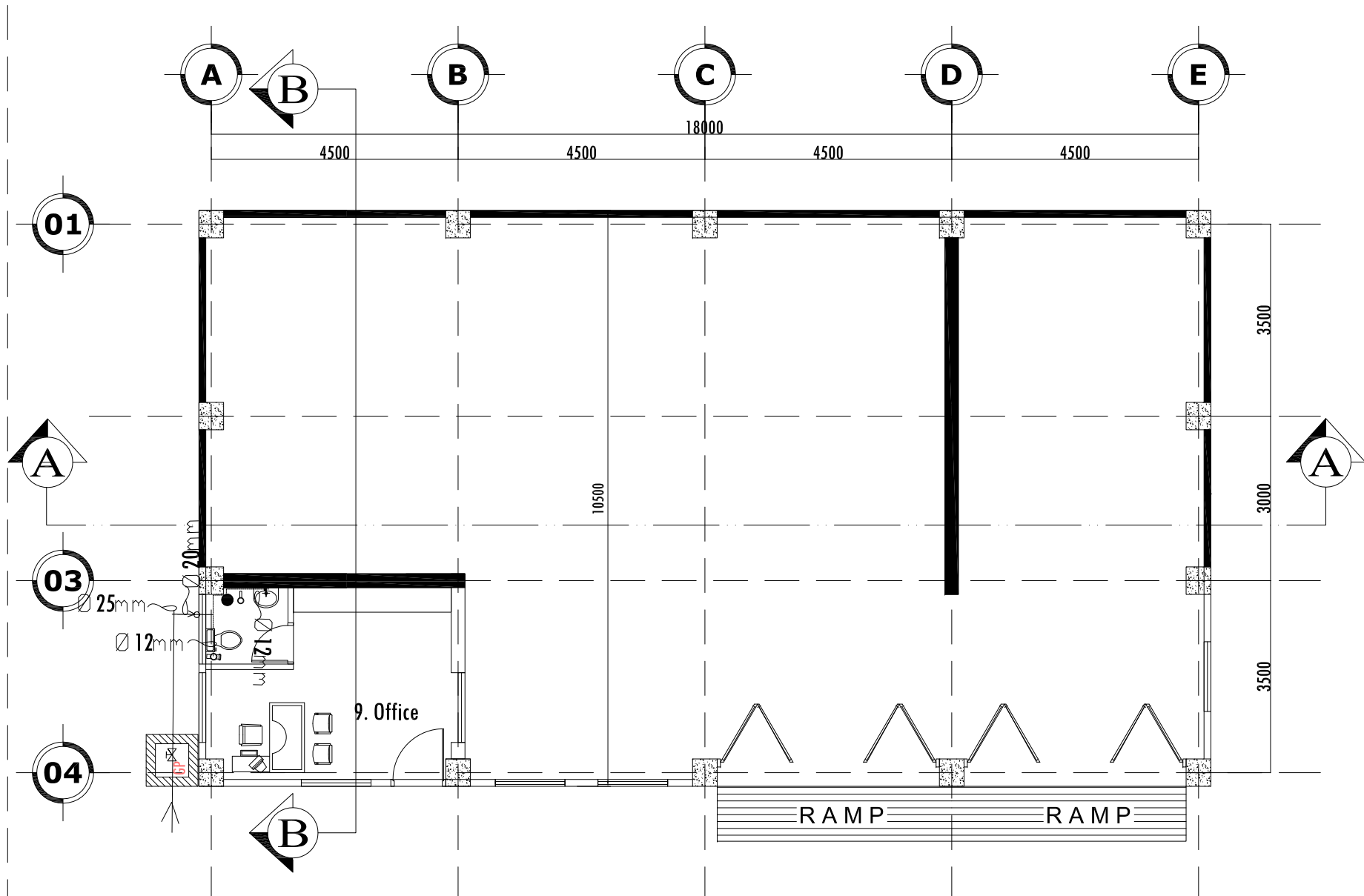
SIZE OF PIPE	SOIL PIPE, WASTE & RAIN WATER PIPE
< or = 160MM dia	1 in 100
> 160MM dia	1 in 200

3. LINES: WASTE WATER LINE
SOIL WATER LINE-
BASIN WASTE LINE-

4. PIT:



5. WATER SUPPLY LINE
COLD WATER LINE
WATER LINE DOWN
WATER LINE UP
GATE VALVE



Plan of Hazardous Waste Storage
Scale :- 1:100

LEAD CONSULTANT :



Hannemanns Alle 53
DK-2300 København S
Tlf. +45 5161 1000
Fax +45 5161 1001
www.ramboll.dk

SUB-CONSULTANT:



Waste Concern Consultants
Level- 4, House No.- 120/B, (Masjid Road) Road- 7
New DOHS Mohakhali Dhaka- 1207, Bangladesh
Tlf. + 880-2-48810-841, + 880-2-48810-842
Fax. + 880-2- 9899-486, Email- office@wasteconcern.org
www.wasteconcern.org

CLIENT :



LAO PEOPLE'S DEMOCRATIC REPUBLIC (LAO PDR)
MINISTRY OF INFORMATION, CULTURE AND TOURISM

REV.	DATE	DESCRIPTION	DRN
RO1	20.07.2020	PRELIMINARY ISSUE	

DESIGNED/DRAWN:
CHECKED:
APPROVED:

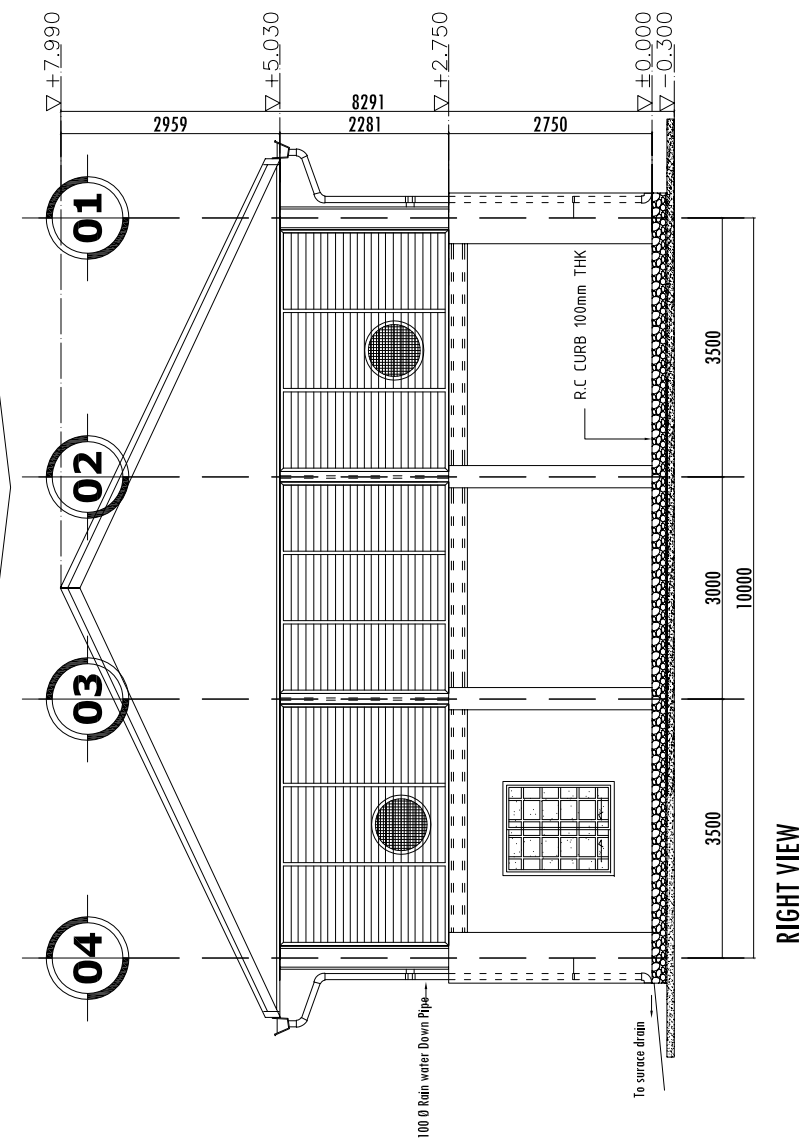
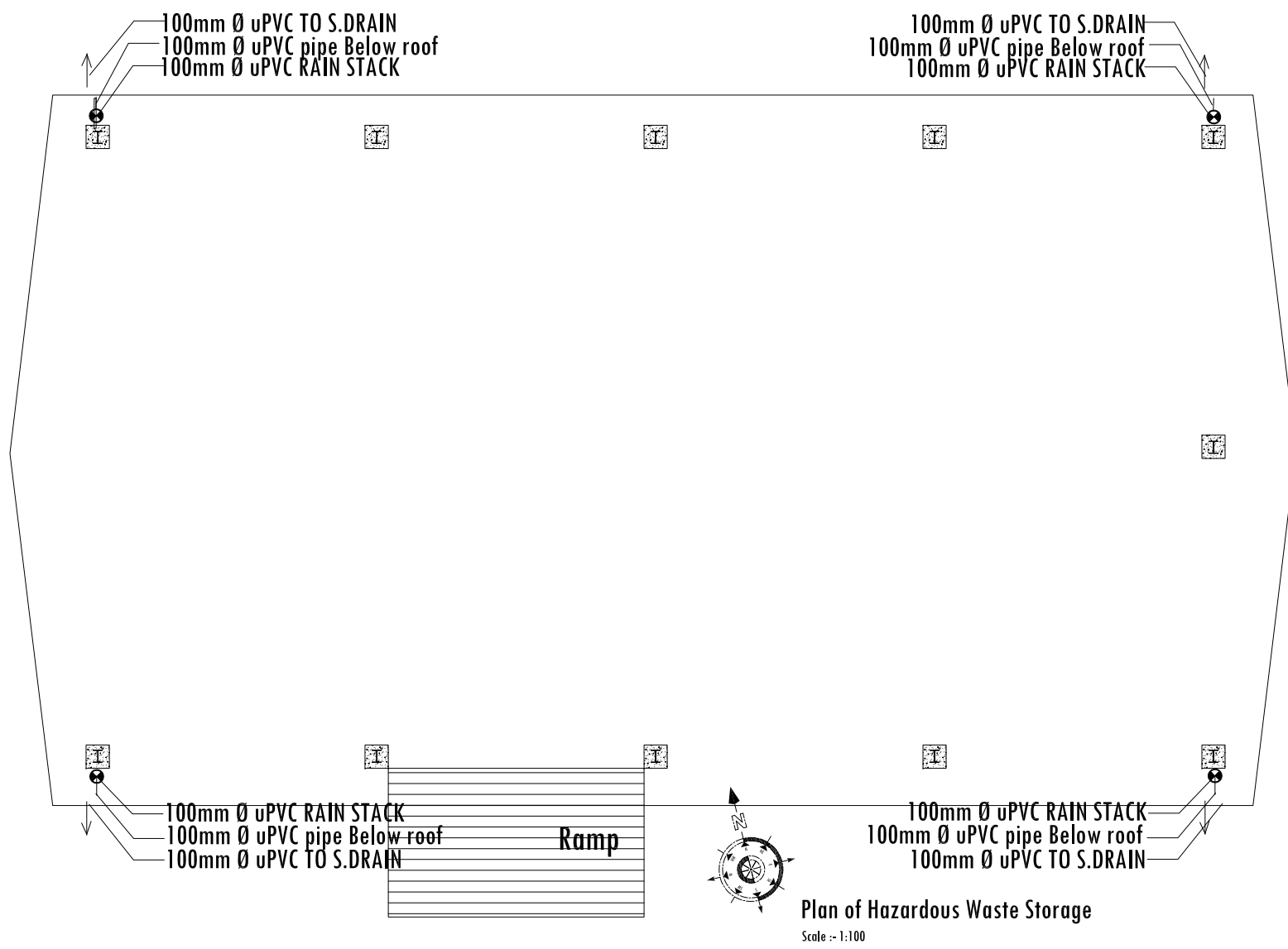
NAME OF PROJECT:
**2ND GMS -TOURISM INFRASTRUCTURE FOR INCLUSIVE GROWTH
WORKS PACKAGE -TIIGP2-LAO-W04**

Subproject V5: Vang Vieng Solid Waste Management Improvements

TITLE:
WATER SUPPLY SYSTEM FOR TOILET BLOCK AT GROUND FLOOR

DRAWING NO.: RAM-LAO-DED-W04-P-17

SHEET NO.: 00 OF 00
SHEET SIZE: A3
SCALE:
REV: R01 DATE: JULY 2020



LEAD CONSULTANT :

RAMBOLL
Hannemanns Alle 53
DK-2300 København S
Tlf. +45 5161 1000
Fax +45 5161 1001
www.ramboll.dk

SUB-CONSULTANT:

Waste Concern Consultants
Level- 4, House No.- 120/B, (Masjid Road) Road- 7
New DOHS Mohakhali Dhaka- 1207, Bangladesh
Tlf. + 880-2-48810-841, + 880-2-48810-842
Fax. + 880-2- 9899-486, Email- office@wasteconcern.org
www.wasteconcern.org

CLIENT :

LAOS
LAO PEOPLE'S DEMOCRATIC REPUBLIC (LAO PDR)
MINISTRY OF INFORMATION, CULTURE AND TOURISM

DESIGNED/DRAWN:	
CHECKED:	
APPROVED:	
REV.	DESCRIPTION
RO1	PRELIMINARY ISSUE
20.07.2020	
	DRN

NAME OF PROJECT:
**2ND GMS -TOURISM INFRASTRUCTURE FOR INCLUSIVE GROWTH
WORKS PACKAGE -TIIGP2-LAO-W04**

Subproject V5: Vang Vieng Solid Waste Management Improvements

TITLE:
RAIN WATER DISPOSAL SYSTEM FOR ROOF

DRAWING NO.: RAM-LAO-DED-W04-P-18

SHEET NO.: 00 OF 00
SCALE: A3

REV: R01
DATE: JULY 2020

1. MATERIALS:

ALL PIPE AT TOILET BLOCK WILL BE PVC PIPE.

ALL SOIL & WASTE WATER PIPE WILL BE PVC FOR VERTICAL AND HORIZONTAL LINE AND ALSO AT UNDER GROUND PURPOSE.

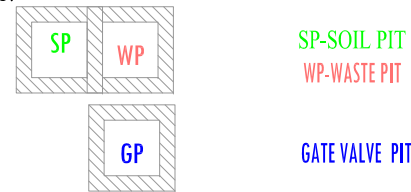
ALL FITTINGS AND FIXTURES WILL BE BEST QUALITY LOCAL MADE.

2. SLOPE: ALL HORIZONTAL DRAINAGE PIPES SHALL BE LAID AT A SLOPE OF FOLLOWING GRADIENTS:-

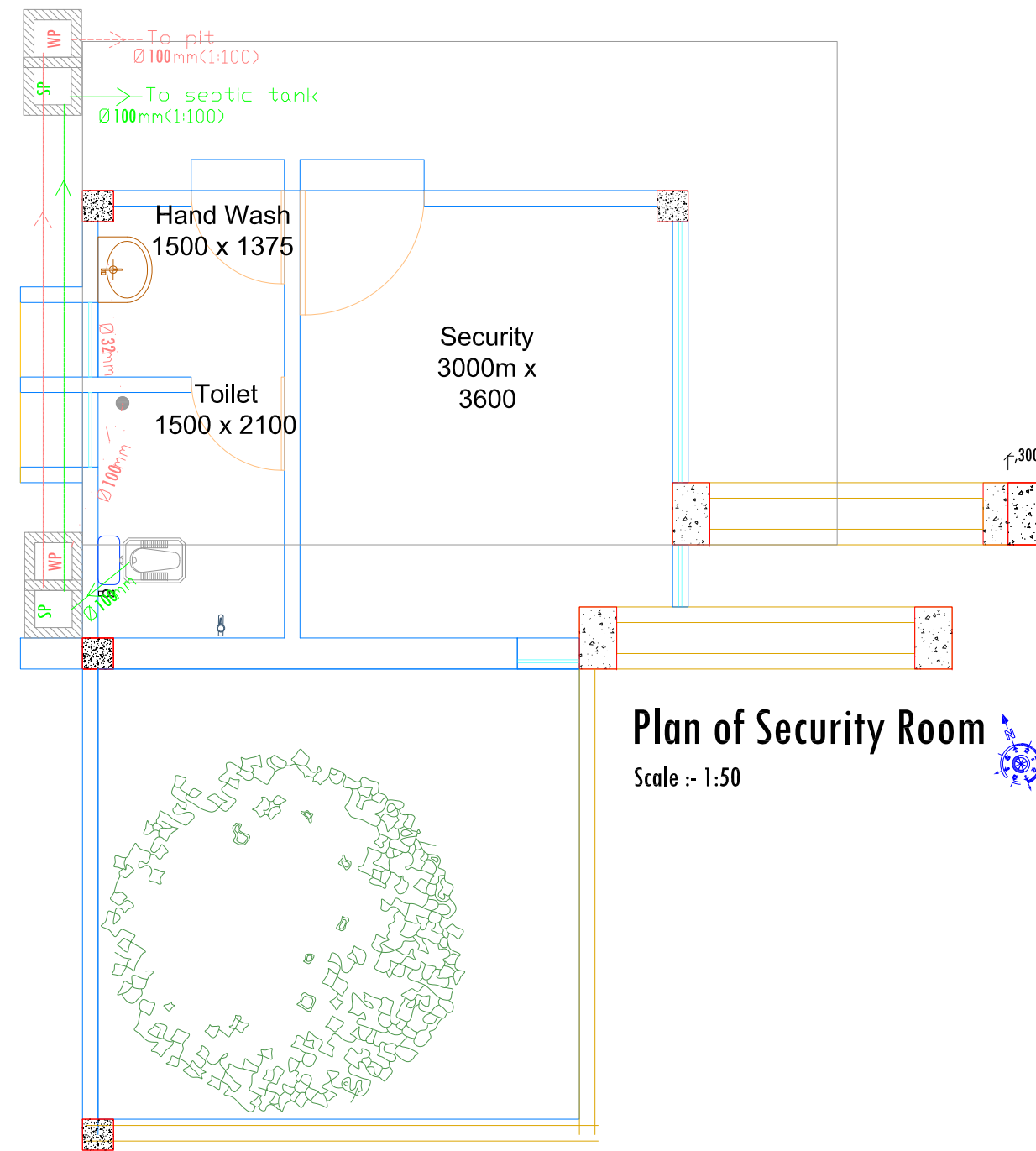
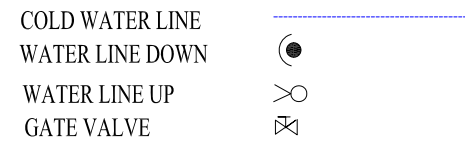
SIZE OF PIPE	SOIL PIPE, WASTE & RAIN WATER PIPE
< or = 160MM dia	1 in 100
> 160MM dia	1 in 200

3. LINES: WASTE WATER LINE
SOIL WATER LINE-
BASIN WASTE LINE-

4. PIT:



5. WATER SUPPLY LINE



LEAD CONSULTANT :



Hannemanns Alle 53
DK-2300 København S
Tlf. +45 5161 1000
Fax +45 5161 1001
www.ramboll.dk

SUB-CONSULTANT:



Waste Concern Consultants
Level- 4, House No.- 120/B, (Masjid Road) Road- 7
New DOHS Mohakhali Dhaka- 1207, Bangladesh
Tlf. + 880-2-48810-841, + 880-2-48810-842
Fax. + 880-2- 9899-486, Email- office@wasteconcern.org
www.wasteconcern.org

CLIENT :



LAO PEOPLE'S DEMOCRATIC REPUBLIC (LAO PDR)
MINISTRY OF INFORMATION, CULTURE AND TOURISM

REV.	DATE	DESCRIPTION	DRN
RO1	20.07.2020	PRELIMINARY ISSUE	

DESIGNED/DRAWN:

CHECKED:

APPROVED:

NAME OF PROJECT:
**2ND GMS -TOURISM INFRASTRUCTURE FOR INCLUSIVE GROWTH
WORKS PACKAGE -TIIGP2-LAO-W04**

Subproject V5: Vang Vieng Solid Waste Management Improvements

TITLE:
SOIL AND WASTE WATER DISPOSAL SYSTEM FOR TOILET BLOCK
AT GROUND FLOOR

DRAWING NO.: RAM-LAO-DED-W04-P-19

SHEET NO.: 00 OF 00
SHEET SIZE: A3
SCALE:

REV: R01 DATE: JULY 2020

1. MATERIALS:

ALL PIPE AT TOILET BLOCK WILL BE PVC PIPE.

ALL SOIL & WASTE WATER PIPE WILL BE PVC FOR VERTICAL AND HORIZONTAL LINE AND ALSO AT UNDER GROUND PURPOSE.

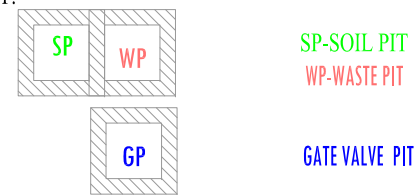
ALL FITTINGS AND FIXTURES WILL BE BEST QUALITY LOCAL MADE.

2. SLOPE: ALL HORIZONTAL DRAINAGE PIPES SHALL BE LAID AT A SLOPE OF FOLLOWING GRADIENTS:-

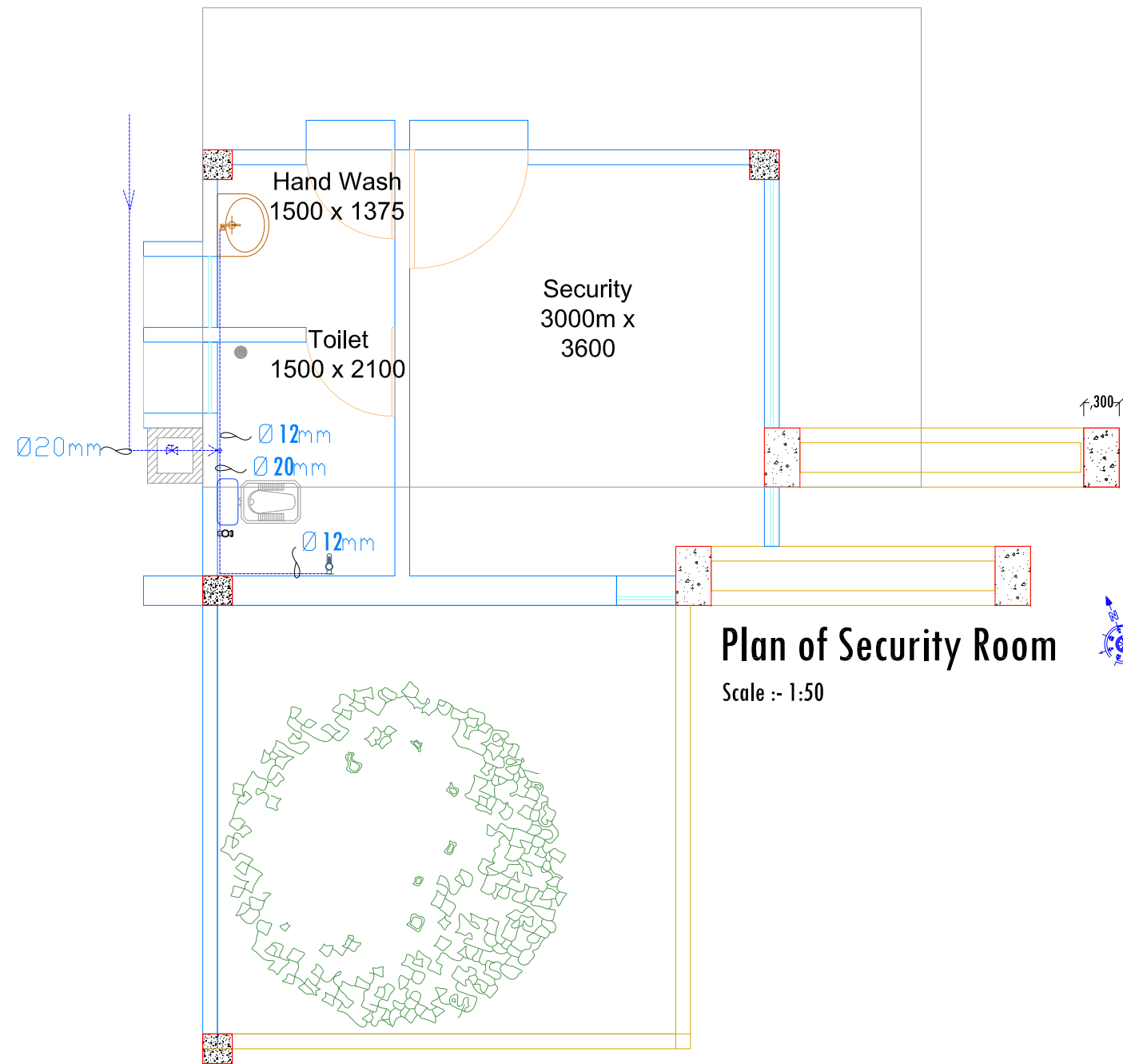
SIZE OF PIPE	SOIL PIPE, WASTE & RAIN WATER PIPE
< or = 160MM dia	1 in 100
> 160MM dia	1 in 200

3. LINES: WASTE WATER LINE
SOIL WATER LINE-
BASIN WASTE LINE-

4. PIT:



5. WATER SUPPLY LINE
COLD WATER LINE
WATER LINE DOWN
WATER LINE UP
GATE VALVE



Plan of Security Room

Scale :- 1:50

LEAD CONSULTANT :



Hannemanns Alle 53
DK-2300 København S
Tlf. +45 5161 1000
Fax +45 5161 1001
www.ramboll.dk

SUB-CONSULTANT:



Waste Concern Consultants

Level- 4, House No.- 120/B, (Masjid Road) Road- 7
New DOHS Mohakhali Dhaka- 1207, Bangladesh
Tlf. + 880-2-48810-841, + 880-2-48810-842
Fax. + 880-2- 9899-486, Email- office@wasteconcern.org
www.wasteconcern.org

CLIENT :



LAO PEOPLE'S DEMOCRATIC REPUBLIC (LAO PDR)
MINISTRY OF INFORMATION, CULTURE AND TOURISM

REV.	DATE	DESCRIPTION	DRN
RO1	20.07.2020	PRELIMINARY ISSUE	

DESIGNED/DRAWN:

CHECKED:

APPROVED:

NAME OF PROJECT:
2ND GMS -TOURISM INFRASTRUCTURE FOR INCLUSIVE GROWTH
WORKS PACKAGE -TIIGP2-LAO-W04

Subproject V5: Vang Vieng Solid Waste Management Improvements

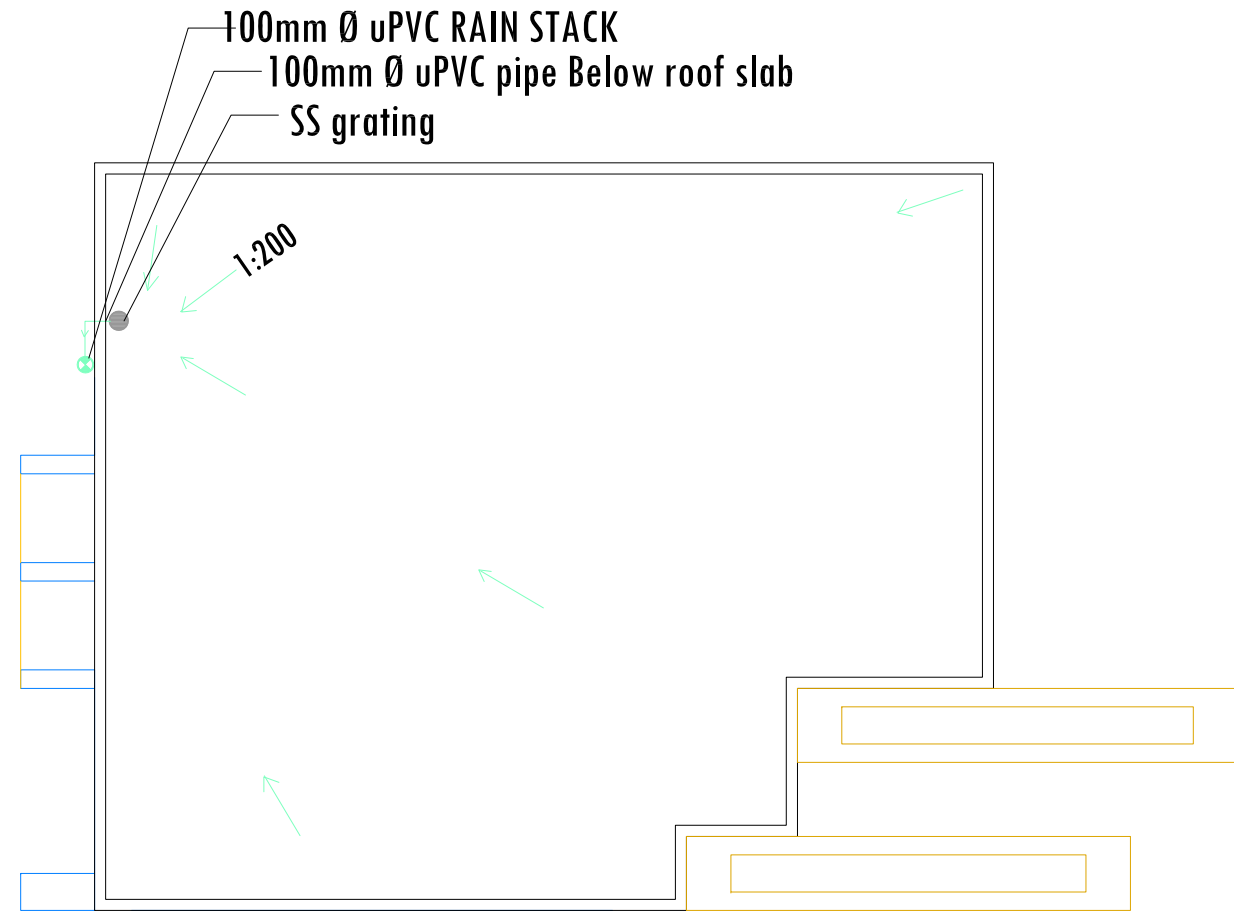
TITLE:
WATER SUPPLY FOR TOILET BLOCK AT GROUND FLOOR

DRAWING NO.: RAM-LAO-DED-W04-P-20

SHEET NO.: 00 OF 00

SHEET SIZE: A3

SCALE:
REV: R01 DATE: JULY 2020



 **Plan of Security Room**
 Scale :- 1:50

SOIL AND WASTE WATER DISPOSAL SYSTEM FOR TOILET BLOCK

LEAD CONSULTANT :

 Hannemanns Alle 53
 DK-2300 København S
 Tlf. +45 5161 1000
 Fax +45 5161 1001
 www.ramboll.dk

SUB-CONSULTANT:

Waste Concern Consultants
 Level- 4, House No.- 120/B, (Masjid Road) Road- 7
 New DOHS Mohakhali Dhaka- 1207, Bangladesh
 Tlf. + 880-2-48810-841, + 880-2-48810-842
 Fax. + 880-2- 9899-486, Email- office@wasteconcern.org
 www.wasteconcern.org

CLIENT :

LAO PEOPLE'S DEMOCRATIC REPUBLIC (LAO PDR)
MINISTRY OF INFORMATION, CULTURE AND TOURISM

REV.	DATE	DESCRIPTION	DRN
RO1	20.07.2020	PRELIMINARY ISSUE	

DESIGNED/DRAWN: /...
 CHECKED: /...
 APPROVED: /...

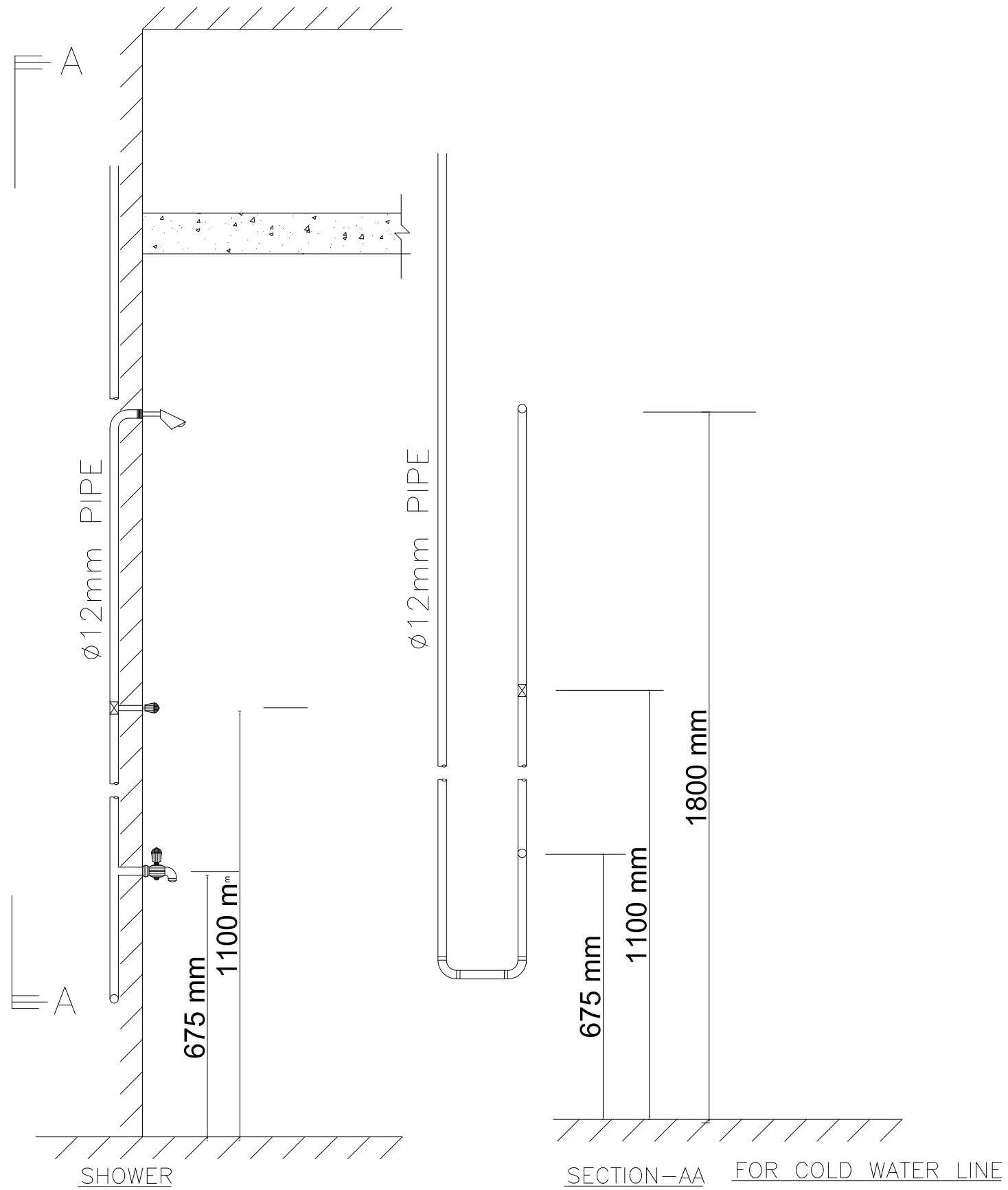
NAME OF PROJECT:
2ND GMS –TOURISM INFRASTRUCTURE FOR INCLUSIVE GROWTH
WORKS PACKAGE -TIIGP2-LAO-W04
Subproject V5: Vang Vieng Solid Waste Management Improvements

TITLE:
 SOIL AND WASTE WATER DISPOSAL SYSTEM FOR TOILET BLOCK
 AT GROUND FLOOR

DRAWING NO.: RAM-LAO-DED-W04-P-21

SHEET NO.: 00 OF 00
 SHEET SIZE: A3
 SCALE:

REV: R01 DATE: JULY 2020



LEAD CONSULTANT :



Hannemanns Alle 53
DK-2300 København S
Tlf. +45 5161 1000
Fax +45 5161 1001
www.ramboll.dk

SUB-CONSULTANT:



Waste Concern Consultants
Level- 4, House No.- 120/B, (Masjid Road) Road- 7
New DOHS Mohakhali Dhaka- 1207, Bangladesh
Tlf. + 880-2-48810-841, + 880-2-48810-842
Fax. + 880-2- 9899-486, Email- office@wasteconcern.org
www.wasteconcern.org

CLIENT :

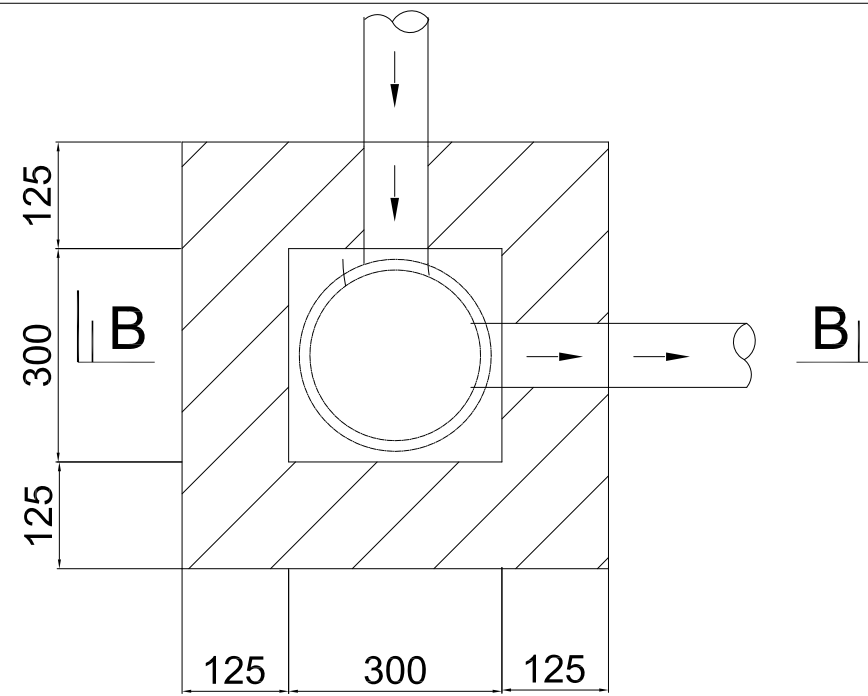


LAO PEOPLE'S DEMOCRATIC REPUBLIC (LAO PDR)
MINISTRY OF INFORMATION, CULTURE AND TOURISM

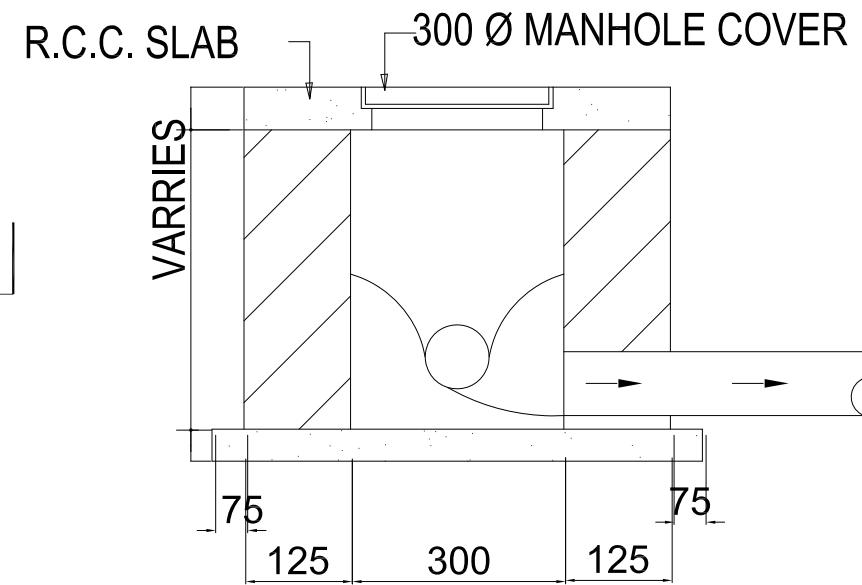
REV.	DATE	DESCRIPTION	DRN
RO1	20.07.2020	PRELIMINARY ISSUE	

DESIGNED/DRAWN:
CHECKED:
APPROVED:

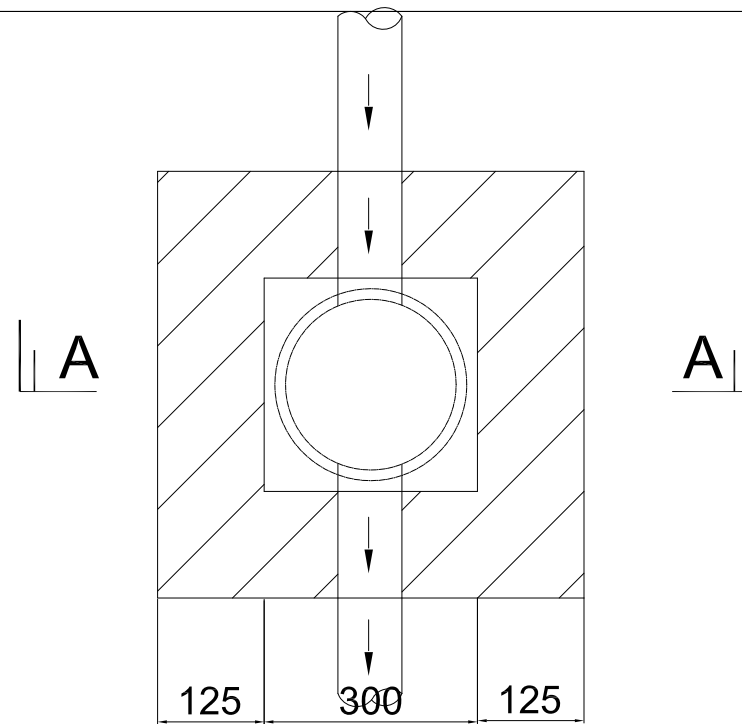
NAME OF PROJECT: 2ND GMS –TOURISM INFRASTRUCTURE FOR INCLUSIVE GROWTH WORKS PACKAGE -TIIGP2-LAO-W04 Subproject V5: Vang Vieng Solid Waste Management Improvements		SHEET NO.:	SHEET SIZE:
TITLE: Details of shower		00 OF 00	A3
DRAWING NO.: RAM-LAO-DED-W04-P-22		SCALE:	
REV:	DATE:	REV:	DATE:
R01	JULY 2020	R01	JULY 2020



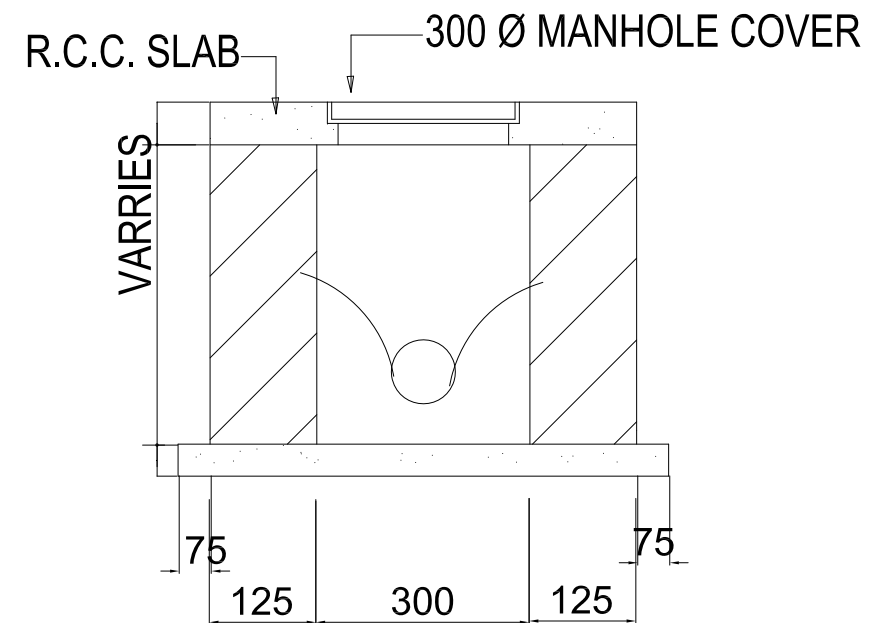
INSPECTION PIT



SECTION B-B



INSPECTION PIT



SECTION A-A

LEAD CONSULTANT :



Hannemanns Alle 53
DK-2300 København S
Tlf. +45 5161 1000
Fax +45 5161 1001
www.ramboll.dk

SUB-CONSULTANT:



Waste Concern Consultants
Level- 4, House No.- 120/B, (Masjid Road) Road- 7
New DOHS Mohakhali Dhaka- 1207, Bangladesh
Tlf. + 880-2-48810-841, + 880-2-48810-842
Fax. + 880-2- 9899-486, Email- office@wasteconcern.org
www.wasteconcern.org

CLIENT :



LAO PEOPLE'S DEMOCRATIC REPUBLIC (LAO PDR)
MINISTRY OF INFORMATION, CULTURE AND TOURISM

REV.	DATE	DESCRIPTION	DRN
RO1	20.07.2020	PRELIMINARY ISSUE	

DESIGNED/DRAWN:

CHECKED:

APPROVED:

NAME OF PROJECT:
2ND GMS –TOURISM INFRASTRUCTURE FOR INCLUSIVE GROWTH
WORKS PACKAGE -TIIGP2-LAO-W04
Subproject V5: Vang Vieng Solid Waste Management Improvements

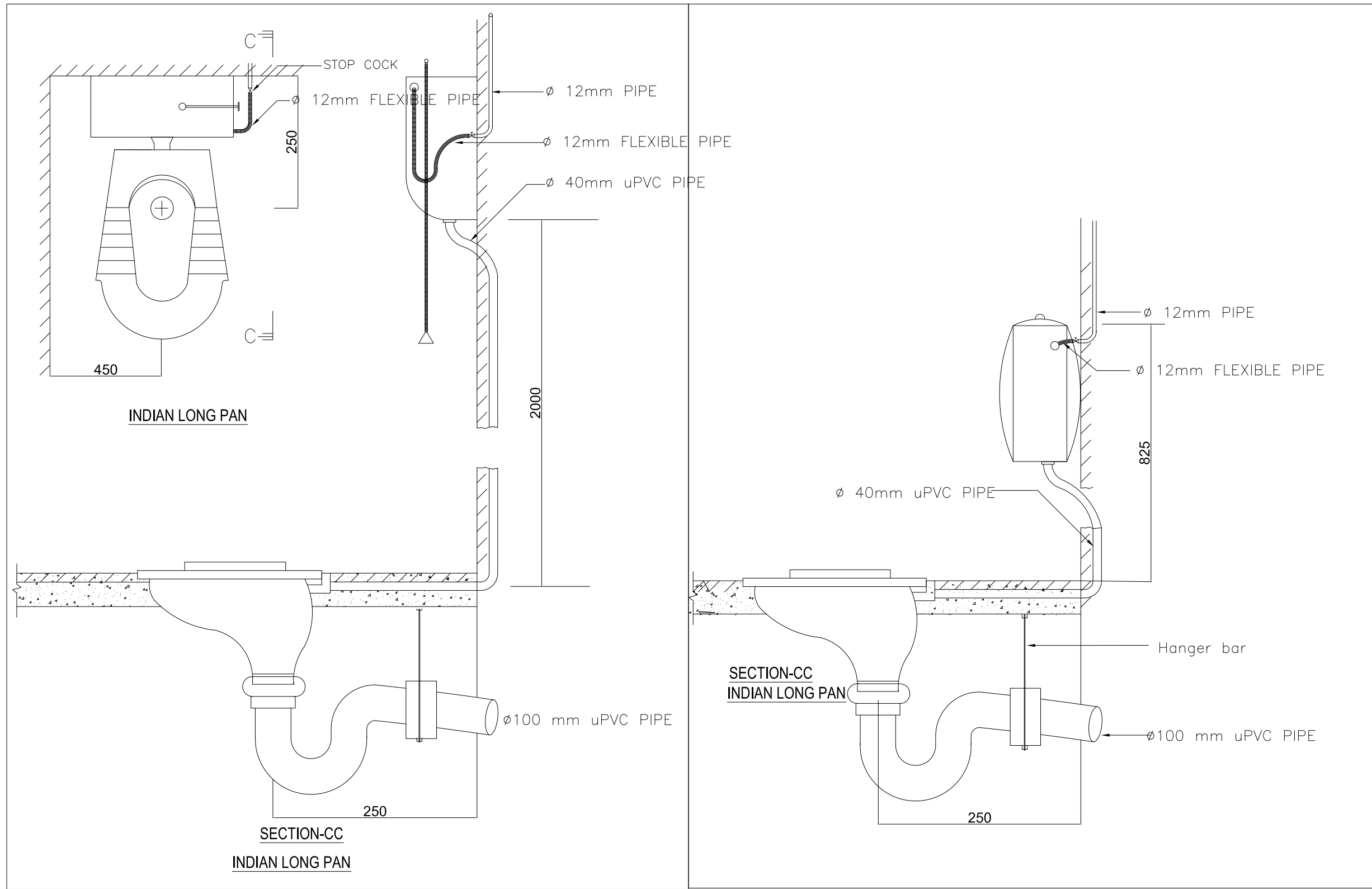
TITLE:
Details of Inspection pit

DRAWING NO.: RAM-LAO-DED-W04-P-23

SHEET NO.: 00 OF 00 SHEET SIZE: A3

SCALE:

REV: R01 DATE: JULY 2020



Details of indian pan

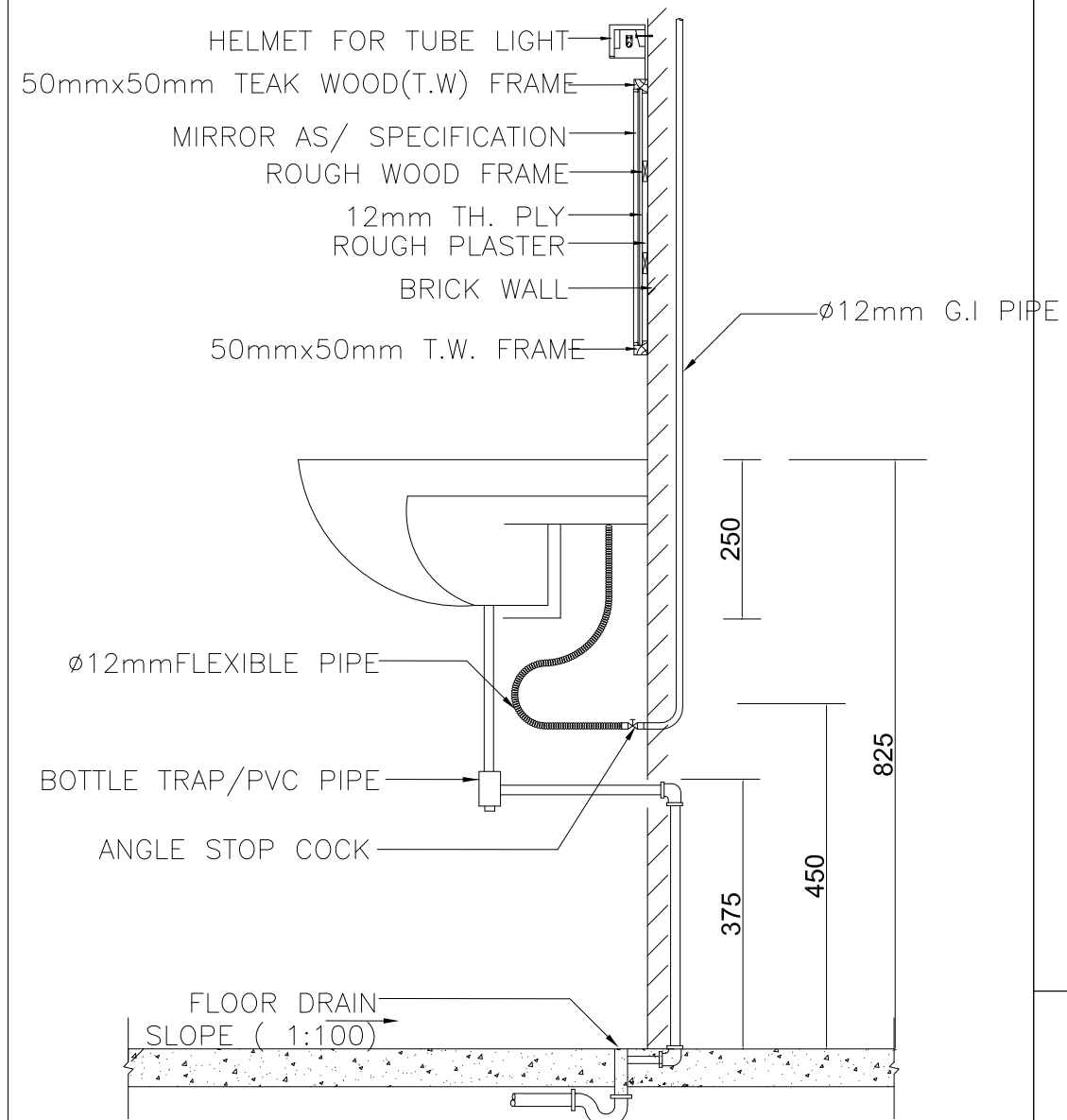
LEAD CONSULTANT :
RAMBOLL
 Hannemanns Alle 53
 DK-2300 København S
 Tlf. +45 5161 1000
 Fax +45 5161 1001
 www.ramboll.dk

SUB-CONSULTANT:
Waste Concern Consultants
 Level- 4, House No.- 120/B, (Masjid Road) Road- 7
 New DOHS Mohakhali Dhaka- 1207, Bangladesh
 Tlf. + 880-2-48810-841, + 880-2-48810-842
 Fax. + 880-2- 9899-486, Email- office@wasteconcern.org
 www.wasteconcern.org

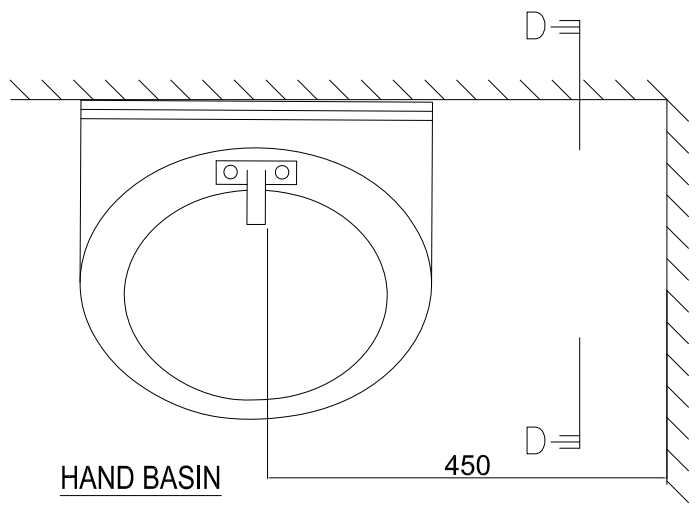
CLIENT :
LAOS
 LAO PEOPLE'S DEMOCRATIC REPUBLIC (LAO PDR)
 MINISTRY OF INFORMATION, CULTURE AND TOURISM

REV.	DATE	DESCRIPTION	DRN
RO1	20.07.2020	PRELIMINARY ISSUE	

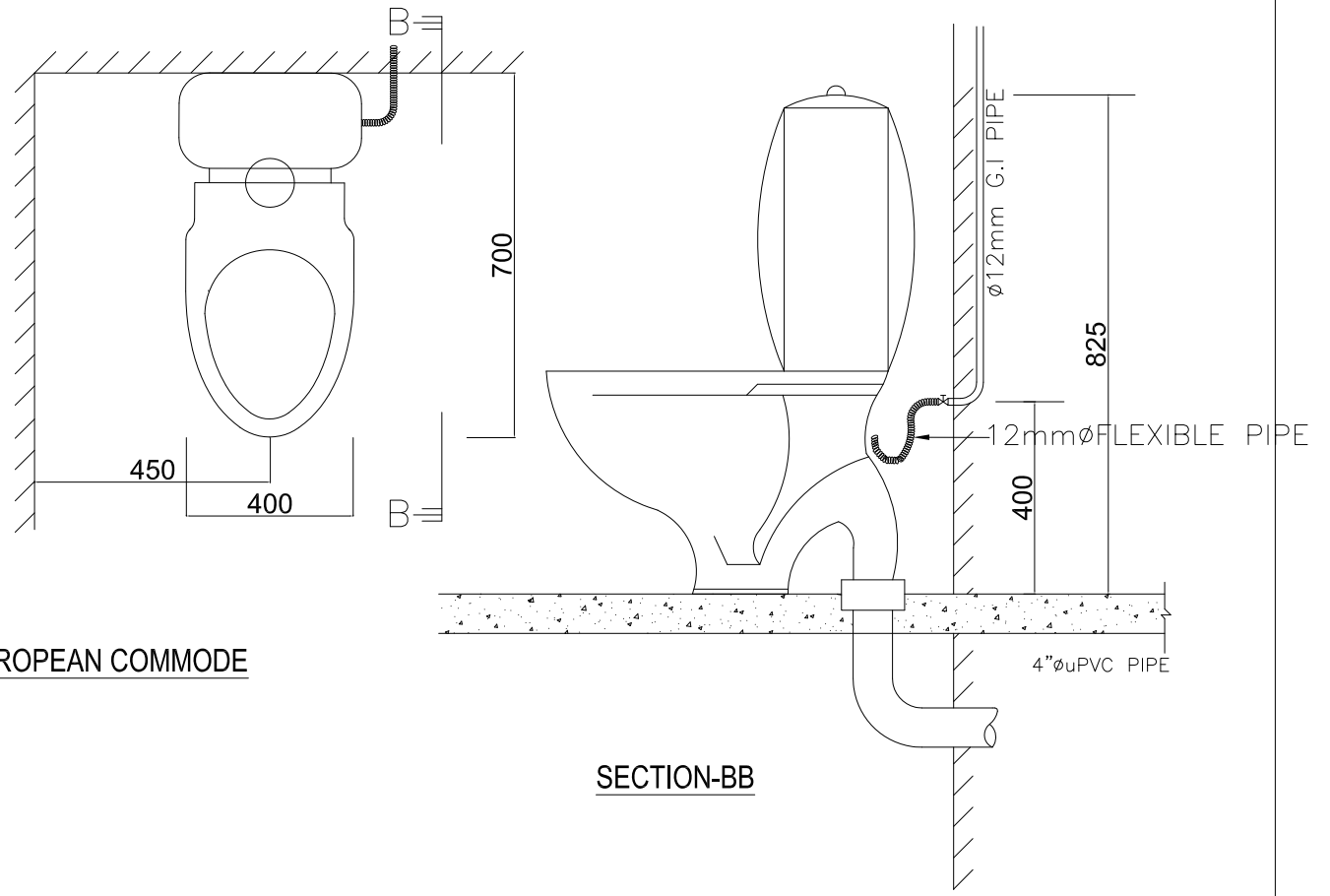
DESIGNED/DRAWN:	NAME OF PROJECT:	SHEET NO.:	SHEET SIZE:
CHECKED:	2ND GMS –TOURISM INFRASTRUCTURE FOR INCLUSIVE GROWTH	00 OF 00	A3
APPROVED:	WORKS PACKAGE -TIIGP2-LAO-W04	SCALE:	
	Subproject V5: Vang Vieng Solid Waste Management Improvements	DRAWING NO.:	REV: DATE:
		RAM-LAO-DED-W04-P-24	R01 JULY 2020



SECTION DD

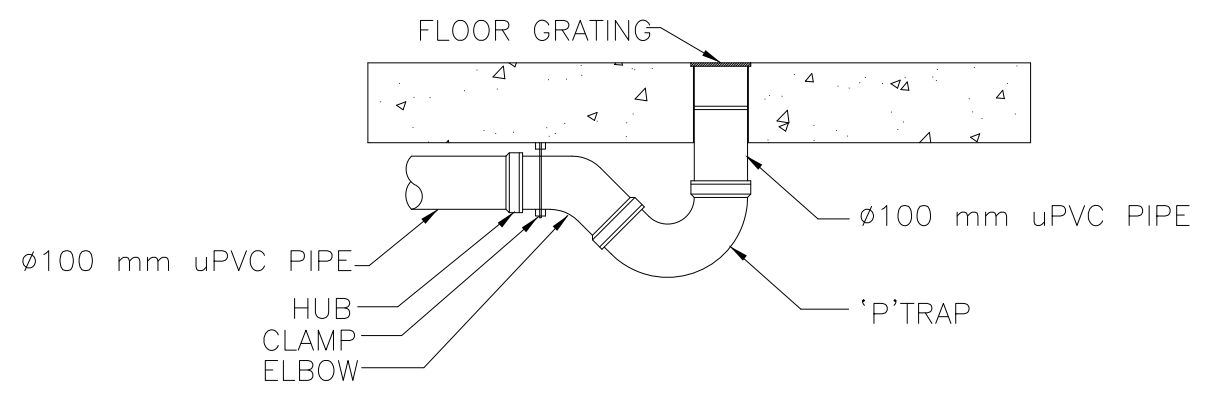


HAND BASIN



EUROPEAN COMMODO

SECTION BB



TYPICAL FLOOR DRAIN SYSTEM

LEAD CONSULTANT :
RAMBOLL
 Hannemanns Alle 53
 DK-2300 København S
 Tlf. +45 5161 1000
 Fax +45 5161 1001
 www.ramboll.dk

SUB-CONSULTANT:
Waste Concern Consultants
 Level- 4, House No.- 120/B, (Masjid Road) Road- 7
 New DOHS Mohakhali Dhaka- 1207, Bangladesh
 Tlf. + 880-2-48810-841, + 880-2-48810-842
 Fax. + 880-2- 9899-486, Email- office@wasteconcern.org
 www.wasteconcern.org

CLIENT :
LAOS
 LAO PEOPLE'S DEMOCRATIC REPUBLIC (LAO PDR)
 MINISTRY OF INFORMATION, CULTURE AND TOURISM

REV.	DATE	DESCRIPTION	DRN
RO1	20.07.2020	PRELIMINARY ISSUE	

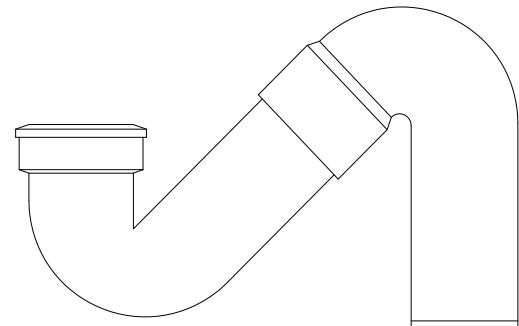
DESIGNED/DRAWN: _____
 CHECKED: _____
 APPROVED: _____

NAME OF PROJECT:
2ND GMS -TOURISM INFRASTRUCTURE FOR INCLUSIVE GROWTH
WORKS PACKAGE -TIIGP2-LAO-W04
Subproject V5: Vang Vieng Solid Waste Management Improvements

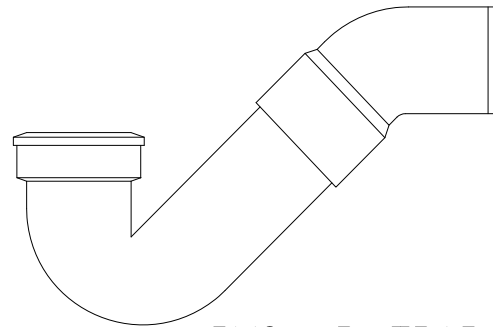
TITLE:
 Details of basin, floor trap and commode(water closet)

DRAWING NO.: RAM-LAO-DED-W04-P-25

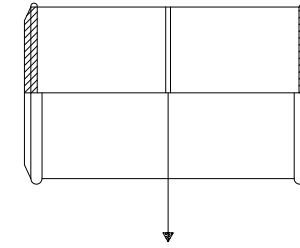
SHEET NO.: 00 OF 00
 SHEET SIZE: A3
 SCALE:
 REV: R01 DATE: JULY 2020



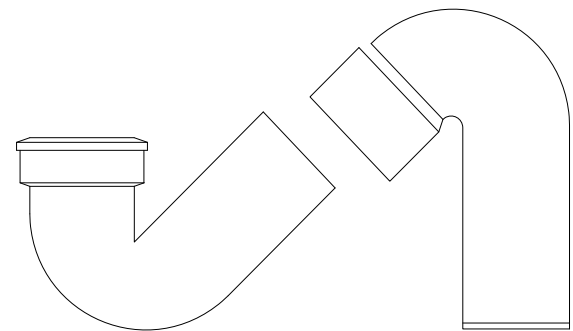
uPVC S-TRAP



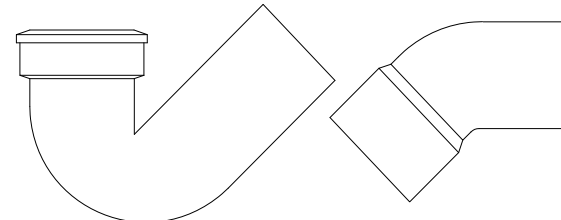
uPVC P-TRAP



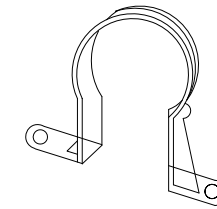
COUPLER



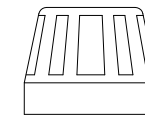
uPVC S-TRAP



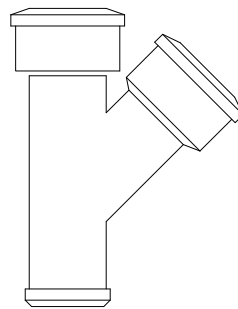
uPVC P-TRAP



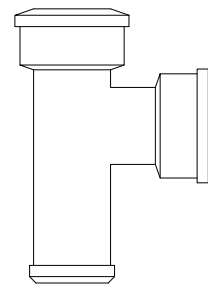
PIPE CLIP



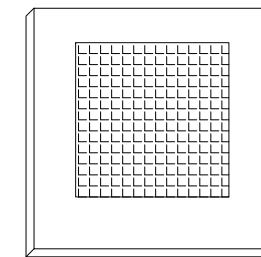
uPVC VENT COWL



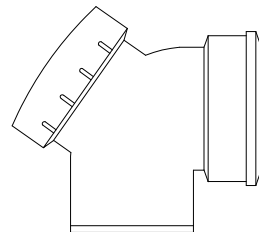
uPVC WYE BRANCH (SINGLE)



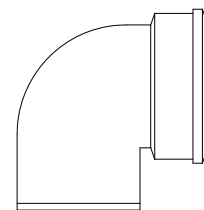
uPVC TEE BRANCH (SINGLE)



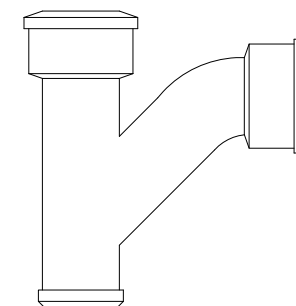
TOP TILE & STRAINER



DOOR BEND



uPVC BEND (SHORT SWEEP 87.5°)



uPVC COMBINATION WYE (SINGLE)

LEAD CONSULTANT :



Hannemanns Alle 53
DK-2300 København S
Tlf. +45 5161 1000
Fax +45 5161 1001
www.ramboll.dk

SUB-CONSULTANT:



Waste Concern Consultants
Level- 4, House No.- 120/B, (Masjid Road) Road- 7
New DOHS Mohakhali Dhaka- 1207, Bangladesh
Tlf. + 880-2-48810-841, + 880-2-48810-842
Fax. + 880-2- 9899-486, Email- office@wasteconcern.org
www.wasteconcern.org

CLIENT :

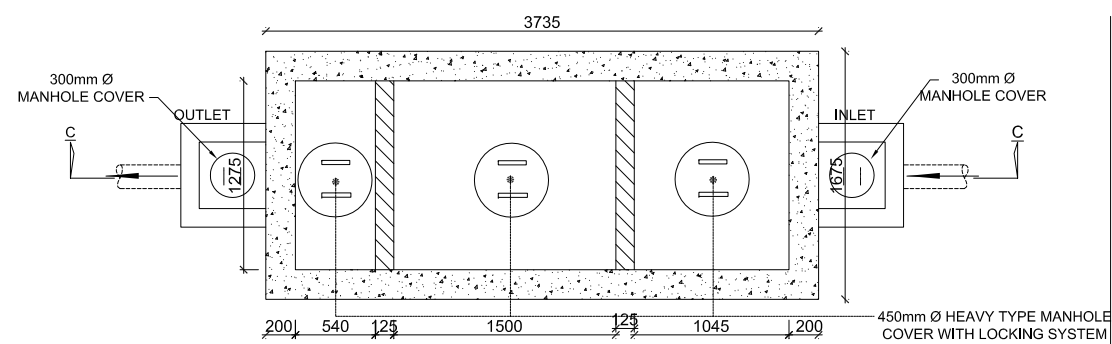


LAO PEOPLE'S DEMOCRATIC REPUBLIC (LAO PDR)
MINISTRY OF INFORMATION, CULTURE AND TOURISM

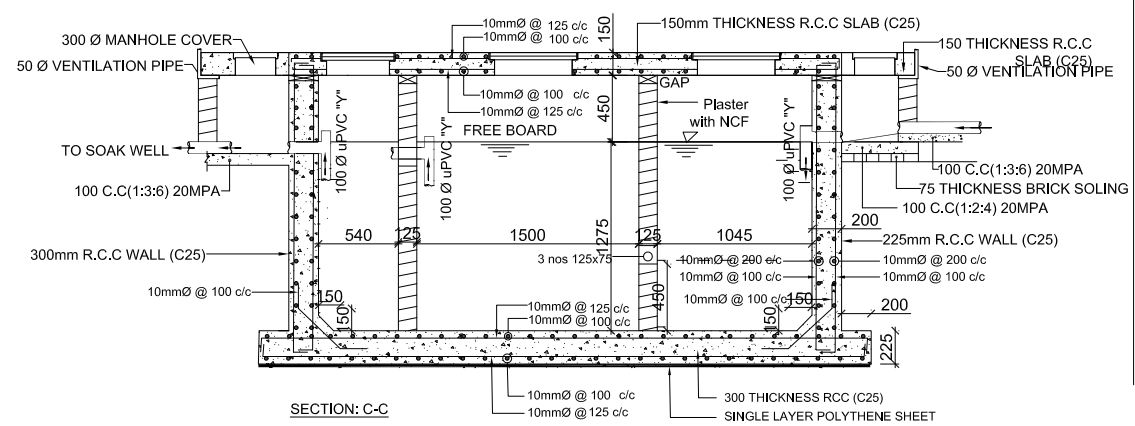
REV.	DATE	DESCRIPTION	DRN
RO1	20.07.2020	PRELIMINARY ISSUE	

DESIGNED/DRAWN: /...
CHECKED: /...
APPROVED: /...

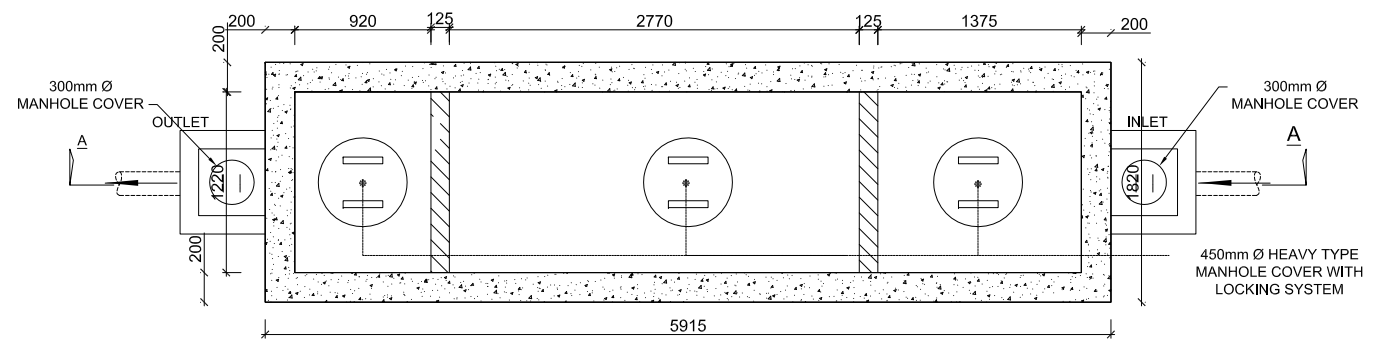
NAME OF PROJECT: 2ND GMS -TOURISM INFRASTRUCTURE FOR INCLUSIVE GROWTH WORKS PACKAGE -TIIGP2-LAO-W04 Subproject V5: Vang Vieng Solid Waste Management Improvements		SHEET NO.: 00 OF 00	SHEET SIZE: A3
TITLE: Fitting of upvc pipe		SCALE:	
DRAWING NO.: RAM-LAO-DED-W04-P-26		REV: R01	DATE: JULY 2020



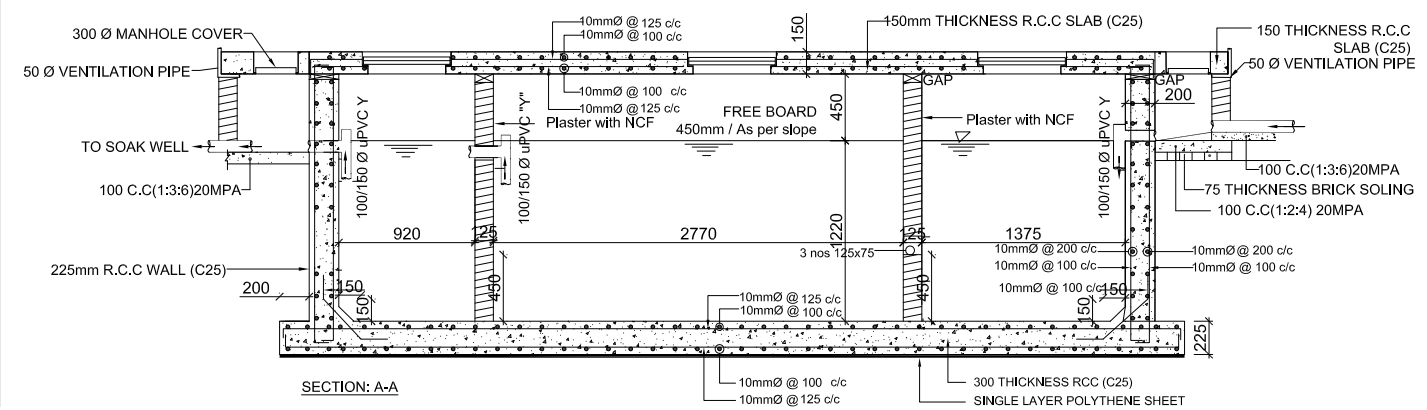
SEPTIC TANK PLAN (50 USER)



SECTION: C-C



SEPTIC TANK PLAN (100 USER)



SECTION: A-A

LEAD CONSULTANT :



Hannemanns Alle 53
DK-2300 København S
Tlf. +45 5161 1000
Fax +45 5161 1001
www.ramboll.dk

SUB-CONSULTANT:



Waste Concern Consultants
Level- 4, House No.- 120/B, (Masjid Road) Road- 7
New DOHS Mohakhali Dhaka- 1207, Bangladesh
Tlf. + 880-2-48810-841, + 880-2-48810-842
Fax. + 880-2- 9899-486, Email- office@wasteconcern.org
www.wasteconcern.org

CLIENT :

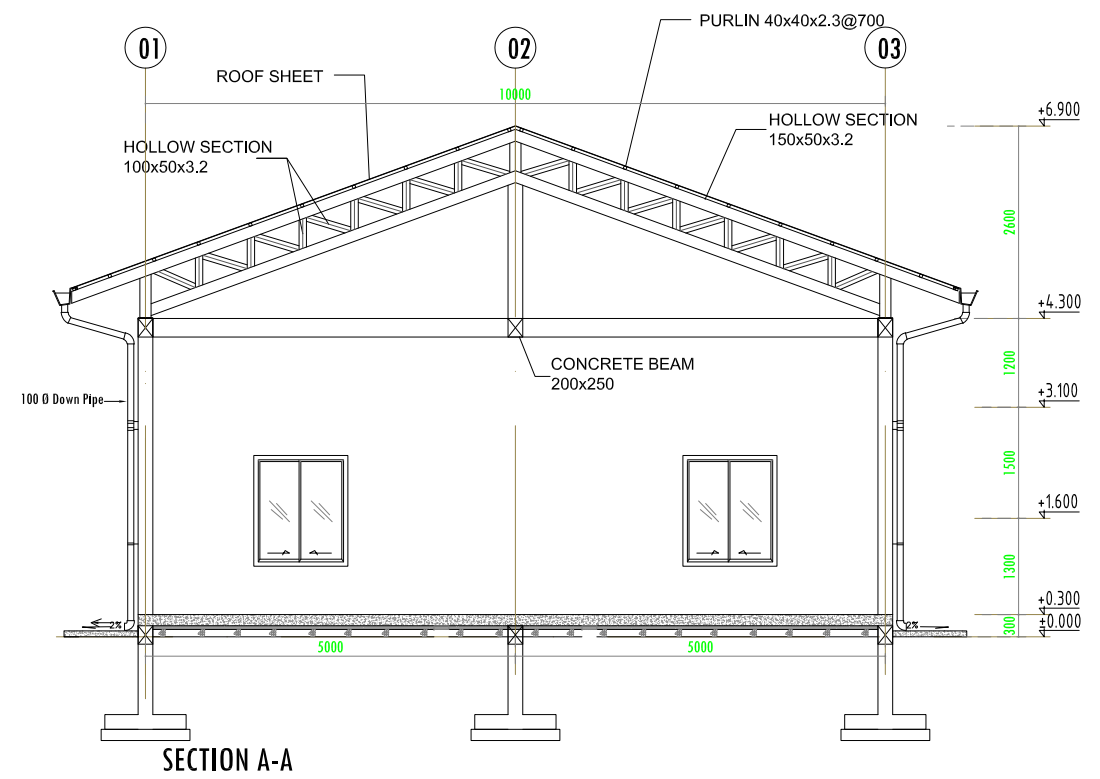
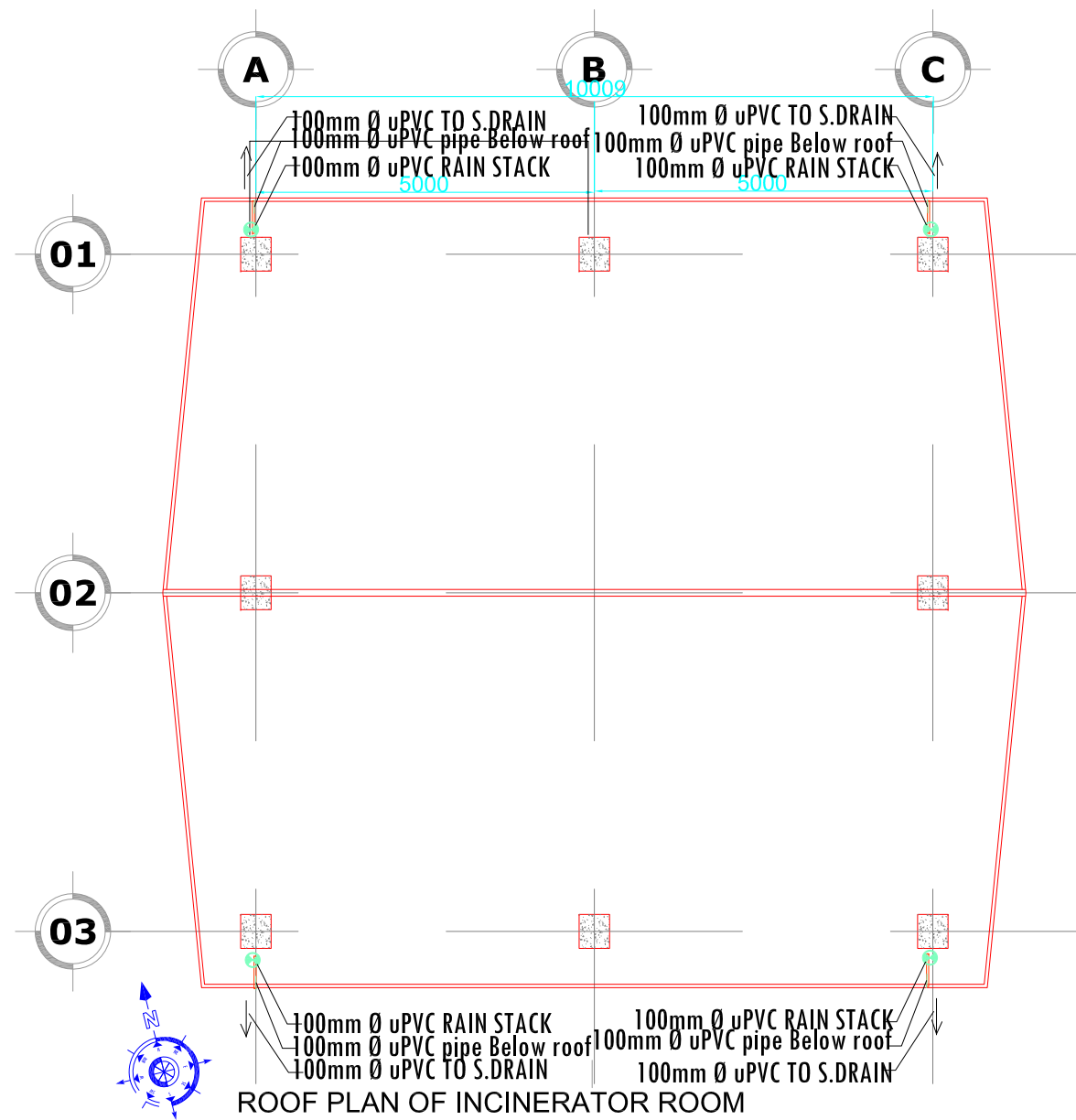


LAO PEOPLE'S DEMOCRATIC REPUBLIC (LAO PDR)
MINISTRY OF INFORMATION, CULTURE AND TOURISM

REV.	DATE	DESCRIPTION	DRN
RO1	20.07.2020	PRELIMINARY ISSUE	

DESIGNED/DRAWN:	
CHECKED:	
APPROVED:	

NAME OF PROJECT:		2ND GMS –TOURISM INFRASTRUCTURE FOR INCLUSIVE GROWTH	
		WORKS PACKAGE -TIIGP2-LAO-W04	
		Subproject V5: Vang Vieng Solid Waste Management Improvements	
TITLE:		Details of septic tank	
DRAWING NO.:		RAM-LAO-DED-W04-P-27	
SHEET NO.:	00 OF 00	SHEET SIZE:	A3
SCALE:		REV:	R01
DATE:	JULY 2020		



LEAD CONSULTANT :



Hannemanns Alle 53
DK-2300 København S
Tlf. +45 5161 1000
Fax +45 5161 1001
www.ramboll.dk

SUB-CONSULTANT:



Waste Concern Consultants
Level- 4, House No.- 120/B, (Masjid Road) Road- 7
New DOHS Mohakhali Dhaka- 1207, Bangladesh
Tlf. + 880-2-48810-841, + 880-2-48810-842
Fax. + 880-2- 9899-486, Email- office@wasteconcern.org
www.wasteconcern.org

CLIENT :

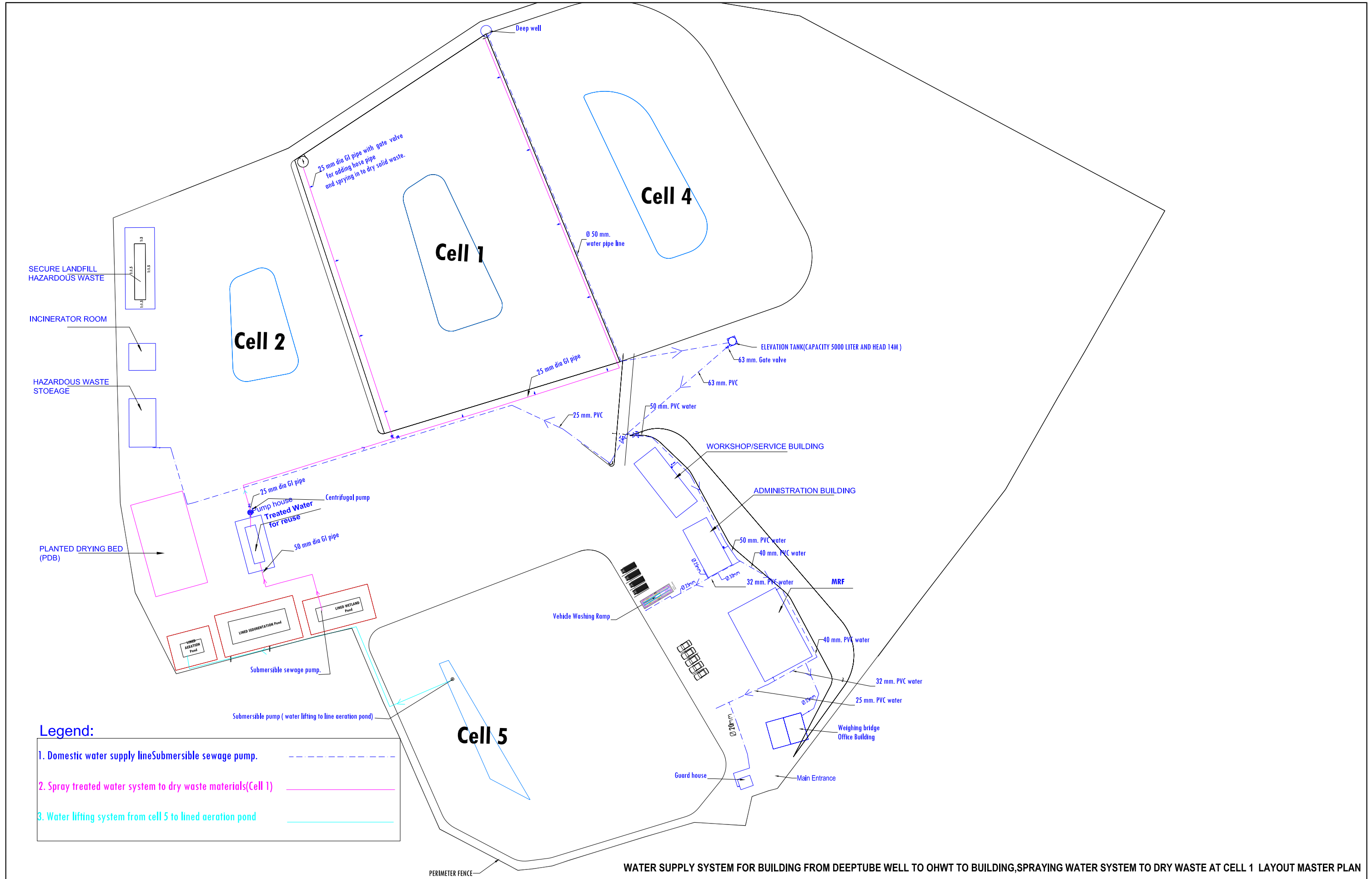


LAO PEOPLE'S DEMOCRATIC REPUBLIC (LAO PDR)
MINISTRY OF INFORMATION, CULTURE AND TOURISM

REV.	DATE	DESCRIPTION	DRN
RO1	20.07.2020	PRELIMINARY ISSUE	

DESIGNED/DRAWN: /...
CHECKED: /...
APPROVED: /...

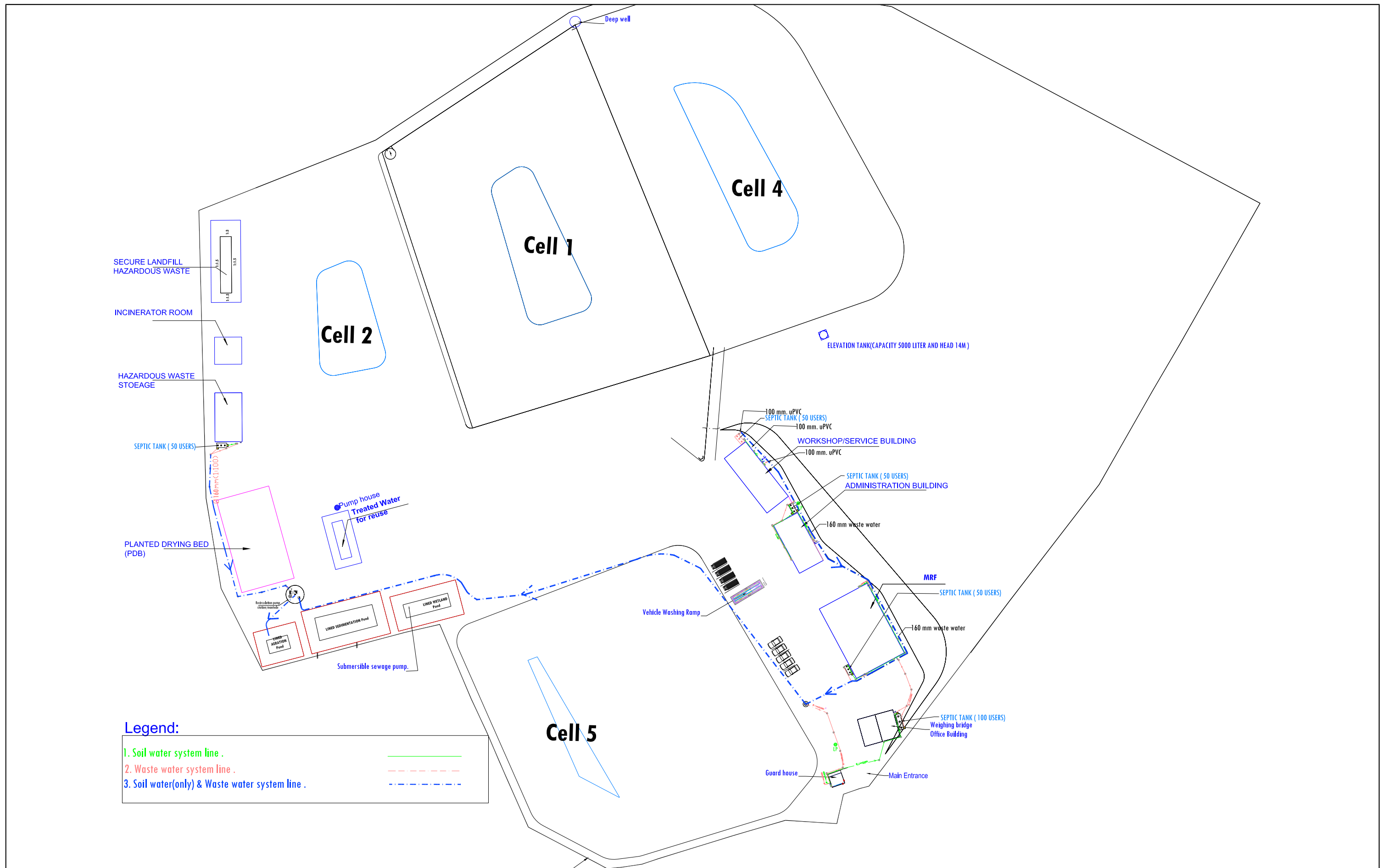
NAME OF PROJECT: 2ND GMS -TOURISM INFRASTRUCTURE FOR INCLUSIVE GROWTH WORKS PACKAGE -TIIGP2-LAO-W04 Subproject V5: Vang Vieng Solid Waste Management Improvements		SHEET NO.: 00 OF 00	SHEET SIZE: A3
TITLE: RAIN WATER DISPOSAL SYSTEM AT ROOF		SCALE:	
DRAWING NO.: RAM-LAO-DED-W04-P-28	REV: R01	DATE: JULY 2020	



- Legend:**
- 1. Domestic water supply line Submersible sewage pump. ---
 - 2. Spray treated water system to dry waste materials (Cell 1) ---
 - 3. Water lifting system from cell 5 to lined aeration pond ---

WATER SUPPLY SYSTEM FOR BUILDING FROM DEEPTUBE WELL TO OHWT TO BUILDING, SPRAYING WATER SYSTEM TO DRY WASTE AT CELL 1 LAYOUT MASTER PLAN

<p>LEAD CONSULTANT :</p> <p>Hannemanns Alle 53 DK-2300 København S Tlf. +45 5161 1000 Fax +45 5161 1001 www.ramboll.dk</p>	<p>SUB-CONSULTANT:</p> <p>Waste Concern Consultants Level- 4, House No.- 120/B, (Masjid Road) Road- 7 New DOHS Mohakhali Dhaka- 1207, Bangladesh Tlf. + 880-2-48810-841, + 880-2-48810-842 Fax. + 880-2- 9899-486, Email- office@wasteconcern.org www.wasteconcern.org</p>	<p>CLIENT :</p> <p>LAO PEOPLE'S DEMOCRATIC REPUBLIC (LAO PDR) MINISTRY OF INFORMATION, CULTURE AND TOURISM</p>	<table border="1" style="width: 100%; border-collapse: collapse;"> <tr> <td style="width: 5%;">DESIGNED/DRAWN:</td> <td style="width: 5%;">---</td> </tr> <tr> <td>CHECKED:</td> <td>---</td> </tr> <tr> <td>APPROVED:</td> <td>---</td> </tr> </table>	DESIGNED/DRAWN:	---	CHECKED:	---	APPROVED:	---	<p>NAME OF PROJECT:</p> <p>2ND GMS –TOURISM INFRASTRUCTURE FOR INCLUSIVE GROWTH WORKS PACKAGE -TIIGP2-LAO-W04 Subproject V5: Vang Vieng Solid Waste Management Improvements</p> <p>TITLE: WATER SUPPLY SYSTEM FOR BUILDING FROM DEEPTUBE WELL TO OHWT TO BUILDING, SPRAYING WATER SYSTEM TO DRY WASTE AT CELL 1 LAYOUT MASTER PLAN</p> <p>DRAWING NO.: RAM-LAO-DED-W04-P-29</p>	<table border="1" style="width: 100%; border-collapse: collapse;"> <tr> <td style="width: 10%;">SHEET NO.:</td> <td style="width: 10%;">00 OF 00</td> <td style="width: 10%;">SHEET SIZE:</td> <td style="width: 10%;">A3</td> </tr> <tr> <td>SCALE:</td> <td></td> <td>REV:</td> <td>R01</td> </tr> <tr> <td></td> <td></td> <td>DATE:</td> <td>JULY 2020</td> </tr> </table>	SHEET NO.:	00 OF 00	SHEET SIZE:	A3	SCALE:		REV:	R01			DATE:	JULY 2020
DESIGNED/DRAWN:	---																						
CHECKED:	---																						
APPROVED:	---																						
SHEET NO.:	00 OF 00	SHEET SIZE:	A3																				
SCALE:		REV:	R01																				
		DATE:	JULY 2020																				
			<table border="1" style="width: 100%; border-collapse: collapse;"> <thead> <tr> <th style="width: 5%;">REV.</th> <th style="width: 10%;">DATE</th> <th style="width: 50%;">DESCRIPTION</th> <th style="width: 10%;">DRN</th> </tr> </thead> <tbody> <tr> <td>RO1</td> <td>20.07.2020</td> <td>PRELIMINARY ISSUE</td> <td></td> </tr> </tbody> </table>	REV.	DATE	DESCRIPTION	DRN	RO1	20.07.2020	PRELIMINARY ISSUE													
REV.	DATE	DESCRIPTION	DRN																				
RO1	20.07.2020	PRELIMINARY ISSUE																					



Legend:

1. Soil water system line .	
2. Waste water system line .	
3. Soil water(only) & Waste water system line .	

SOIL & WASTE WATER FOR INDIVIDUAL BUILDING AND SOIL WATER(ONLY) & WASTE WATER COMBINED LINE SYSTEM LAYOUT MASTER PLAN

LEAD CONSULTANT :

Hannemanns Alle 53
DK-2300 København S
Tlf. +45 5161 1000
Fax +45 5161 1001
www.ramboll.dk

SUB-CONSULTANT:

Waste Concern Consultants
Level- 4, House No.- 120/B, (Masjid Road) Road- 7
New DOHS Mohakhali Dhaka- 1207, Bangladesh
Tlf. + 880-2-48810-841, + 880-2-48810-842
Fax. + 880-2- 9899-486, Email- office@wasteconcern.org
www.wasteconcern.org

CLIENT :

LAO PEOPLE'S DEMOCRATIC REPUBLIC (LAO PDR)
MINISTRY OF INFORMATION, CULTURE AND TOURISM

REV.	DATE	DESCRIPTION	DRN
RO1	20.07.2020	PRELIMINARY ISSUE	

DESIGNED/DRAWN: /

CHECKED: /

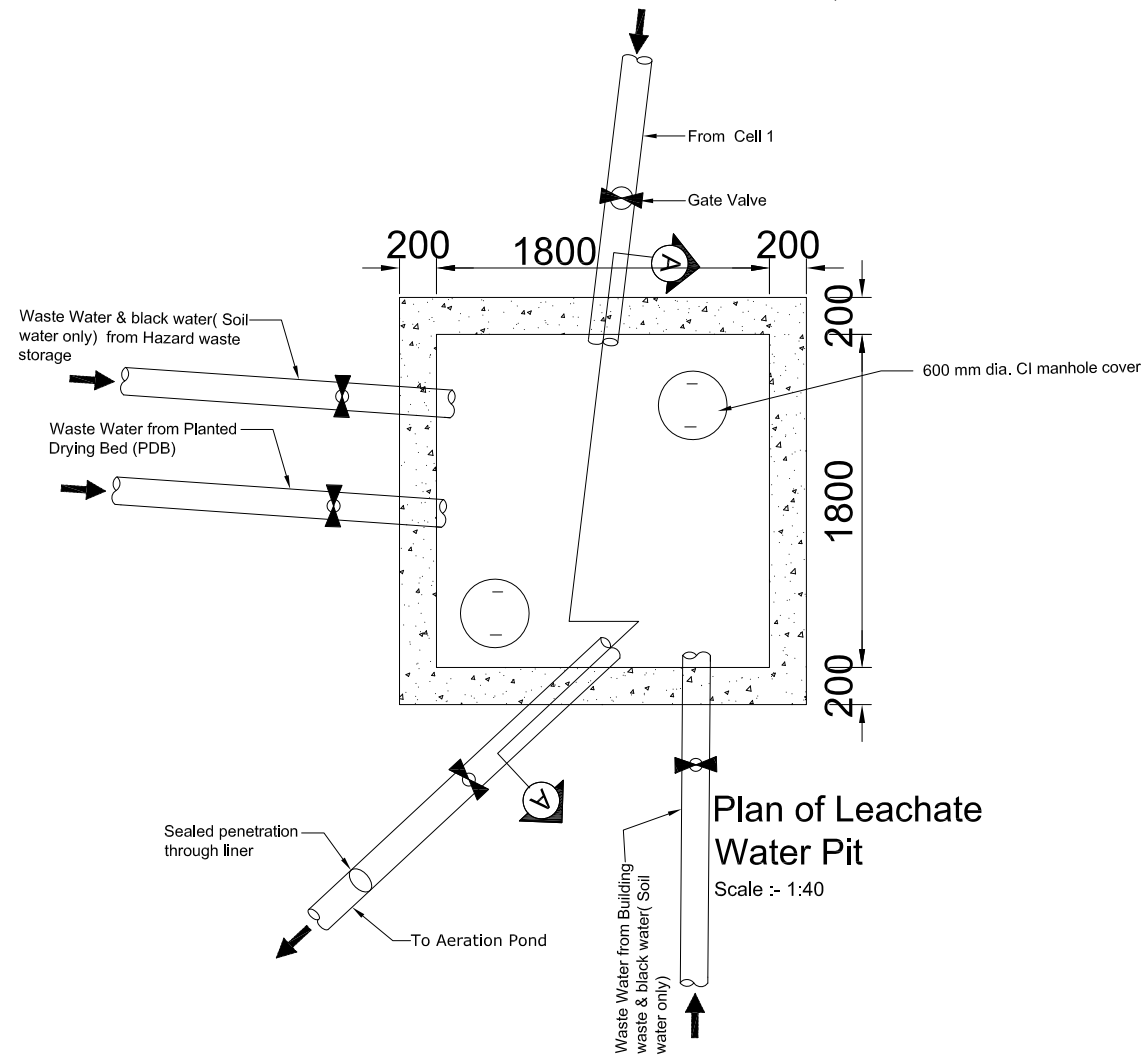
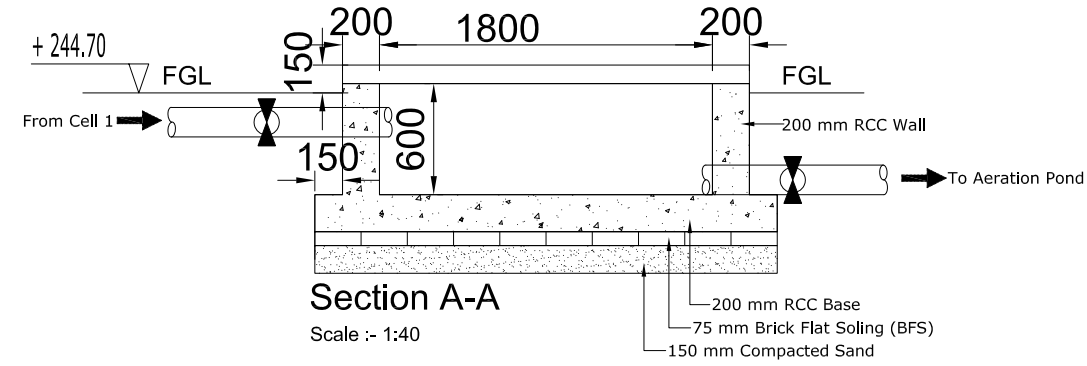
APPROVED: /

NAME OF PROJECT:
2ND GMS –TOURISM INFRASTRUCTURE FOR INCLUSIVE GROWTH
WORKS PACKAGE -TIIGP2-LAO-W04
Subproject V5: Vang Vieng Solid Waste Management Improvements

TITLE:
SOIL & WASTE WATER FOR INDIVIDUAL BUILDING AND SOIL WATER(ONLY) & WASTE WATER COMBINED LINE SYSTEM LAYOUT MASTER PLAN

DRAWING NO.: RAM-LAO-DED-W04-P-30

SHEET NO.: 00 OF 00	SHEET SIZE: A3
SCALE:	
REV: R01	DATE: JULY 2020



LEAD CONSULTANT :

RAMBOLL
 Hannemanns Alle 53
 DK-2300 København S
 Tlf. +45 5161 1000
 Fax +45 5161 1001
 www.ramboll.dk

SUB-CONSULTANT:

Waste Concern Consultants
 Level- 4, House No.- 120/B, (Masjid Road) Road- 7
 New DOHS Mohakhali Dhaka- 1207, Bangladesh
 Tlf. + 880-2-48810-841, + 880-2-48810-842
 Fax. + 880-2- 9899-486, Email- office@wasteconcern.org
 www.wasteconcern.org

CLIENT :

LAOS
 LAO PEOPLE'S DEMOCRATIC REPUBLIC (LAO PDR)
 MINISTRY OF INFORMATION, CULTURE AND TOURISM

REV.	DATE	DESCRIPTION	DRN
RO1	20.07.2020	PRELIMINARY ISSUE	

DESIGNED/DRAWN:	NAME OF PROJECT:	SHEET NO.:	SHEET SIZE:
CHECKED:	2ND GMS –TOURISM INFRASTRUCTURE FOR INCLUSIVE GROWTH	00 OF 00	A3
APPROVED:	WORKS PACKAGE -TIIGP2-LAO-W04	SCALE:	
	Subproject V5: Vang Vieng Solid Waste Management Improvements		
	TITLE: Leachate Water Storage Pit: Plan & Section A-A	DRAWING NO.:	REV: DATE:
		RAM-LAO-DED-W04-P-31	R01 JULY 2020